

[54] BISCUIT CUTTER

[76] Inventor: Harold E. Hassenfelt, Jr., 46 Wildwood Ct., Southern Pines, N.C. 28287

[\*\*] Term: 14 Years

[21] Appl. No.: 741,910

[22] Filed: Jun. 6, 1985

[52] U.S. Cl. .... D7/43

[58] Field of Search ..... D7/43, 44; 30/124; 83/761-764, 454

[56] References Cited

U.S. PATENT DOCUMENTS

1,371,849	3/1921	Brown	30/124
1,867,993	7/1932	Tuttle	D7/43 X
4,133,238	1/1979	Jacobs	83/762

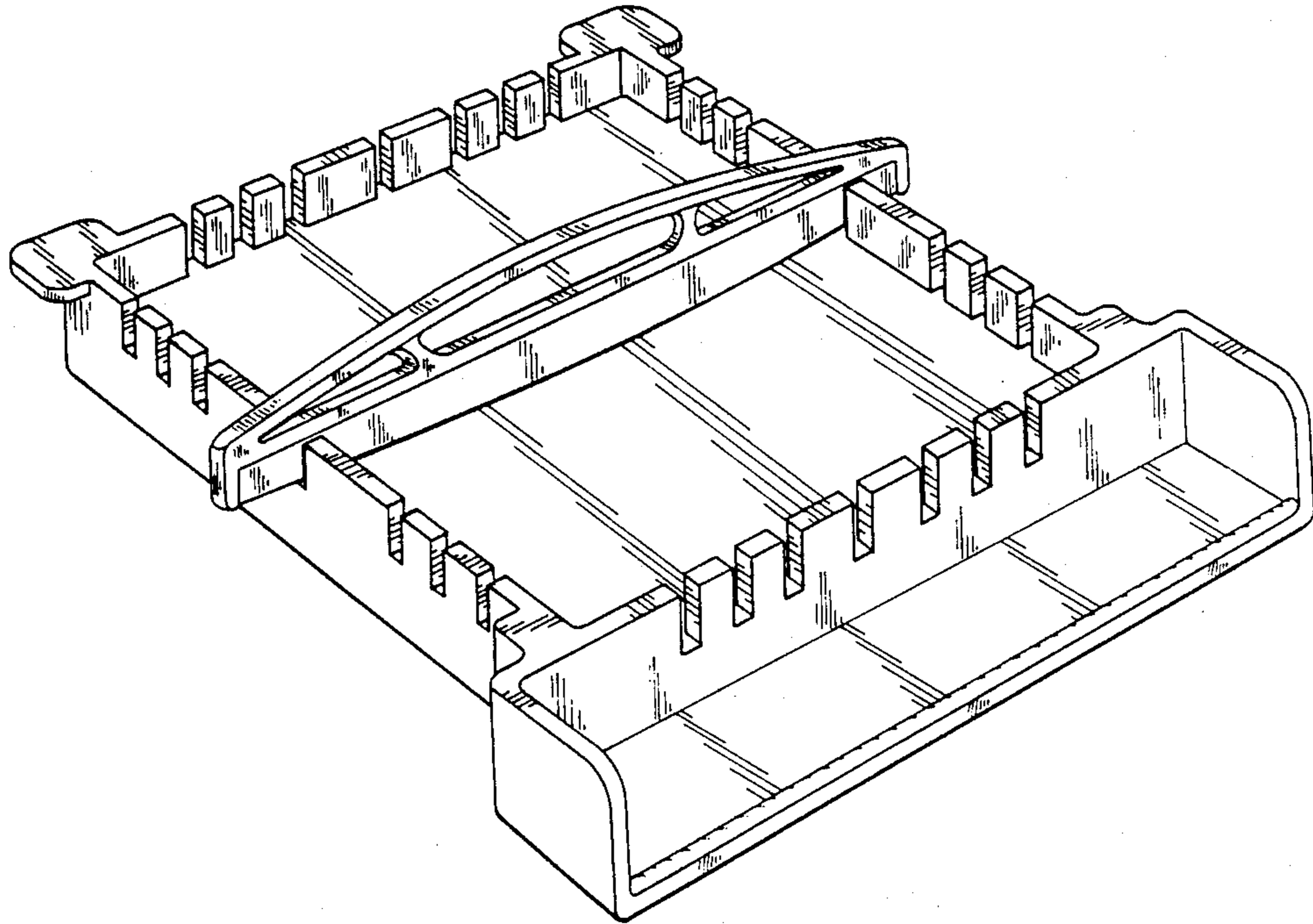
Primary Examiner—Bernard Ansher  
Assistant Examiner—Terry Pfeffer  
Attorney, Agent, or Firm—Charles R. Rhodes; Judith E. Garman

[57] CLAIM

The ornamental design for a biscuit cutter, as shown and described.

DESCRIPTION

FIG. 1 is a top, front, and left side perspective view of a biscuit cutter showing my new design; FIG. 2 is a bottom, rear, and right side perspective view thereof; FIG. 3 is a top, front, and right side perspective view of the cutter blade shown separately for clarity of illustration, the rear and left side being a mirror image; and FIG. 4 is a sectional view taken along lines 4—4 of FIG. 3.



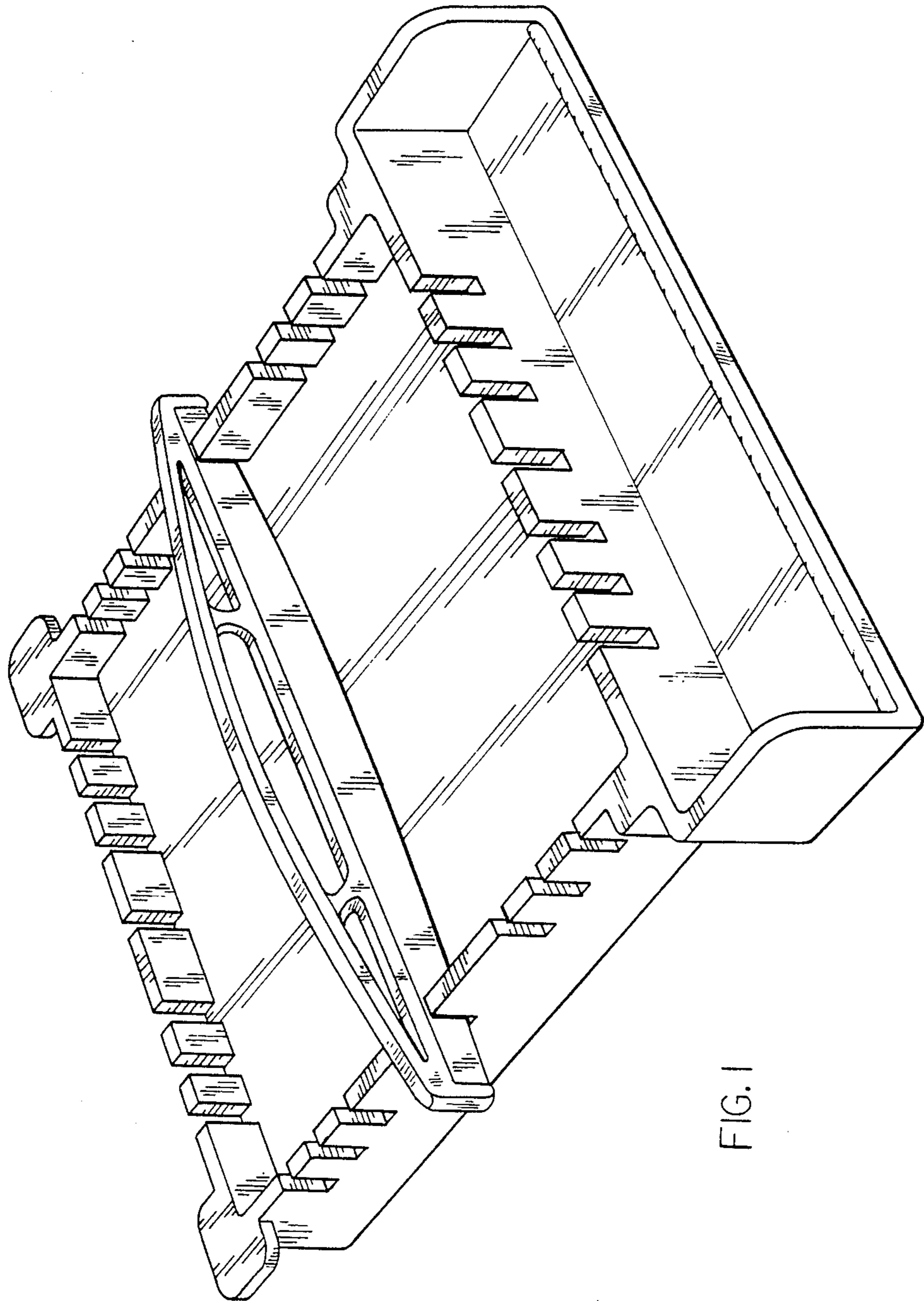


FIG. 1

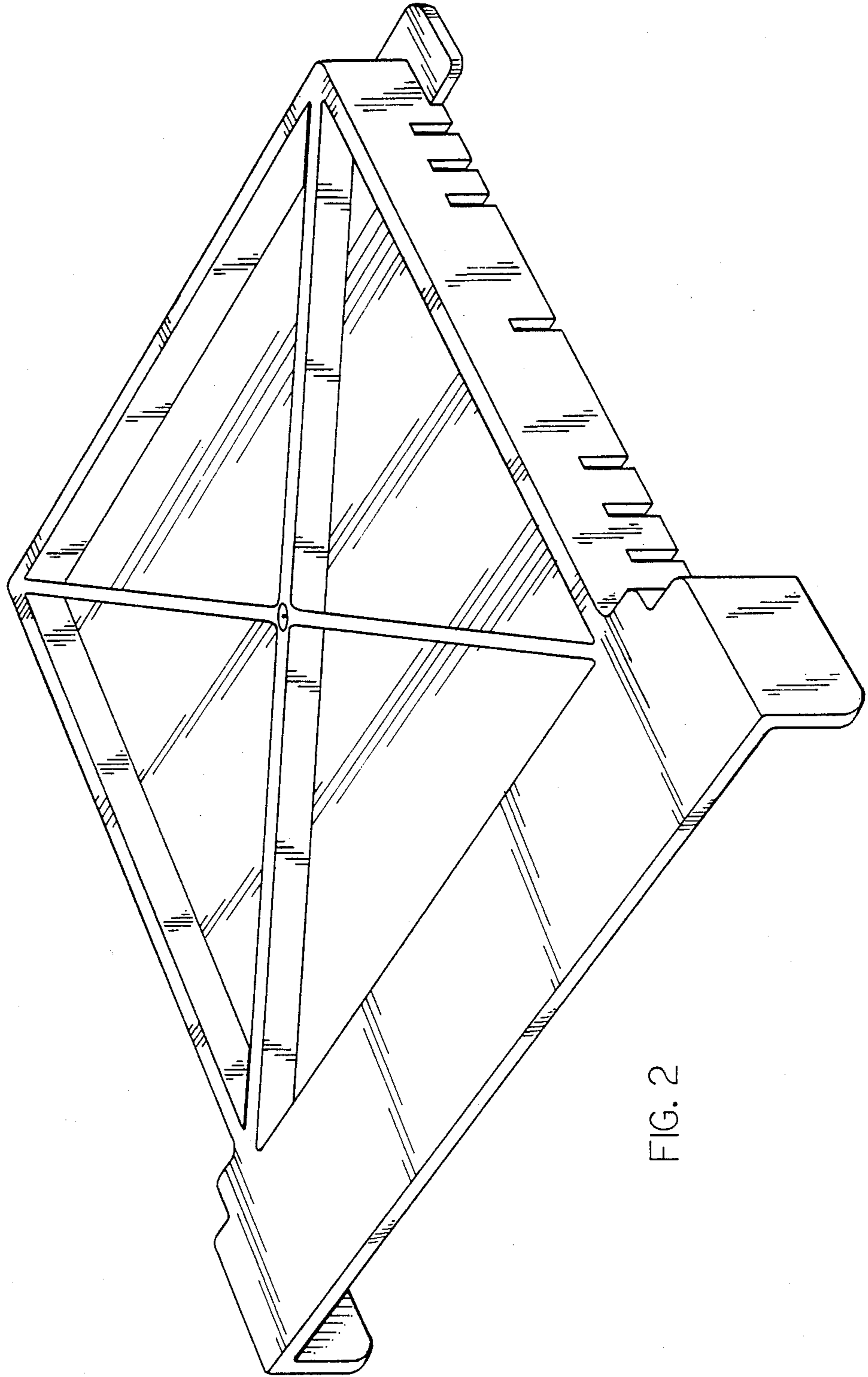


FIG. 2

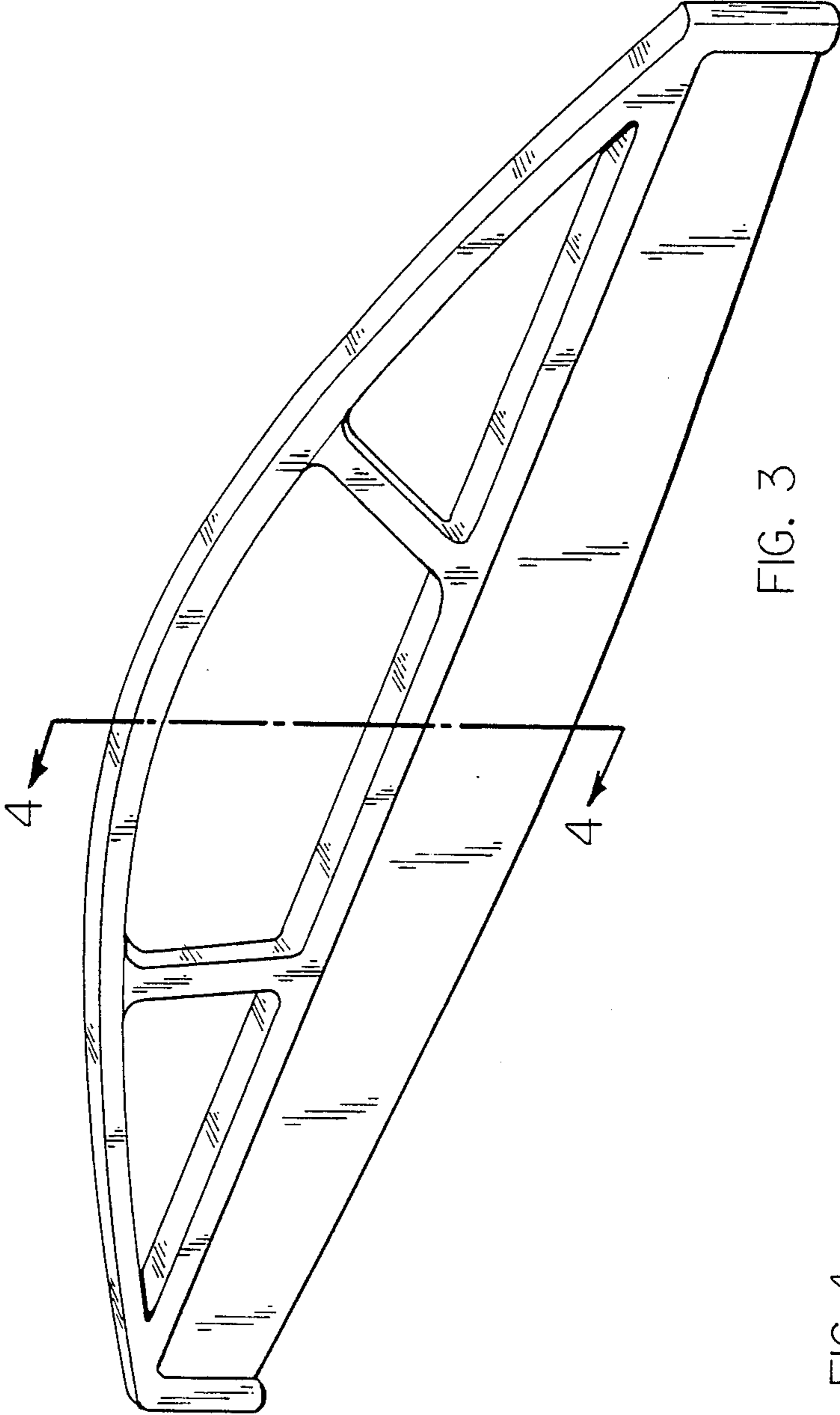


FIG. 3

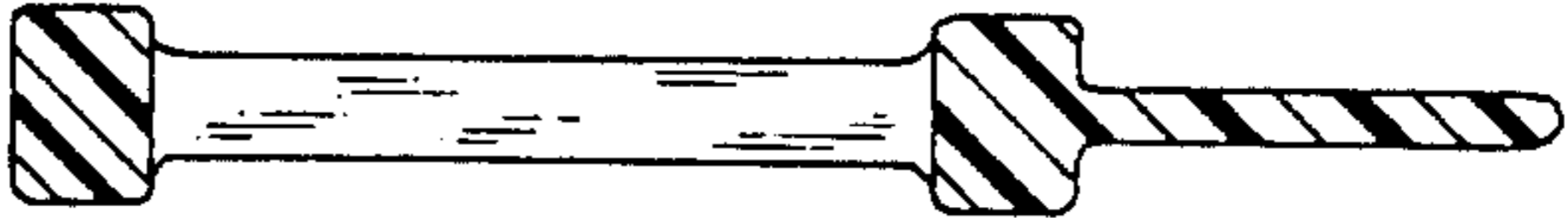


FIG. 4