

[54] HANGING CONTAINER SUPPORT FRAME FOR WIRE SHELVES OR THE LIKE

[75] Inventors: Victor J. J. Cautereels, Borsbeek, Belgium; Augusto A. Picozza, Johnston, R.I.

[73] Assignee: Dart Industries Inc., Deerfield, Ill.

[**] Term: 14 Years

[21] Appl. No.: 814,870

[22] Filed: Dec. 30, 1985

[52] U.S. Cl. D6/513; D15/89

[58] Field of Search D6/553, 512, 513; 248/312.1, 317; 211/71, 94, 162, 113; 312/246, 270; 108/26; D15/89

[56] References Cited

U.S. PATENT DOCUMENTS

4,597,616	7/1986	Trubiano	312/246
4,632,472	12/1986	Bross	312/246
4,653,818	3/1987	DeBruyn	248/317

Primary Examiner—B. J. Bullock
Attorney, Agent, or Firm—John A. Doninger

[57] CLAIM

The ornamental design for a hanging container support frame for wire shelves or the like, substantially as shown.

DESCRIPTION

FIG. 1 is a top perspective view of a hanging container support frame for wire shelves or the like showing our new design;

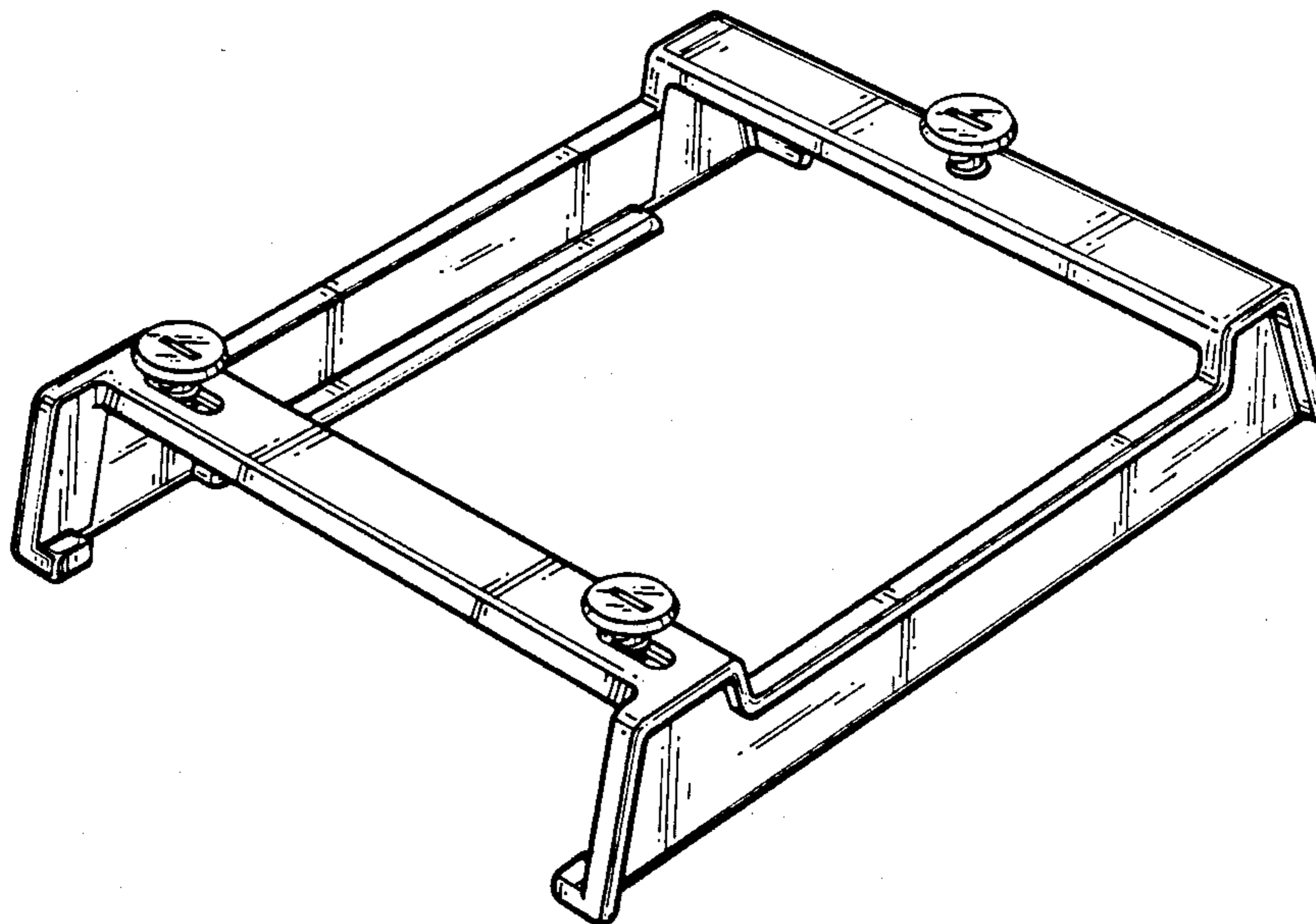
FIG. 2 is a top plan view thereof;

FIG. 3 is a bottom plan view thereof;

FIG. 4 is a front elevational view thereof;

FIG. 5 is a left side elevational view thereof;

FIG. 6 is a rear elevational view thereof.



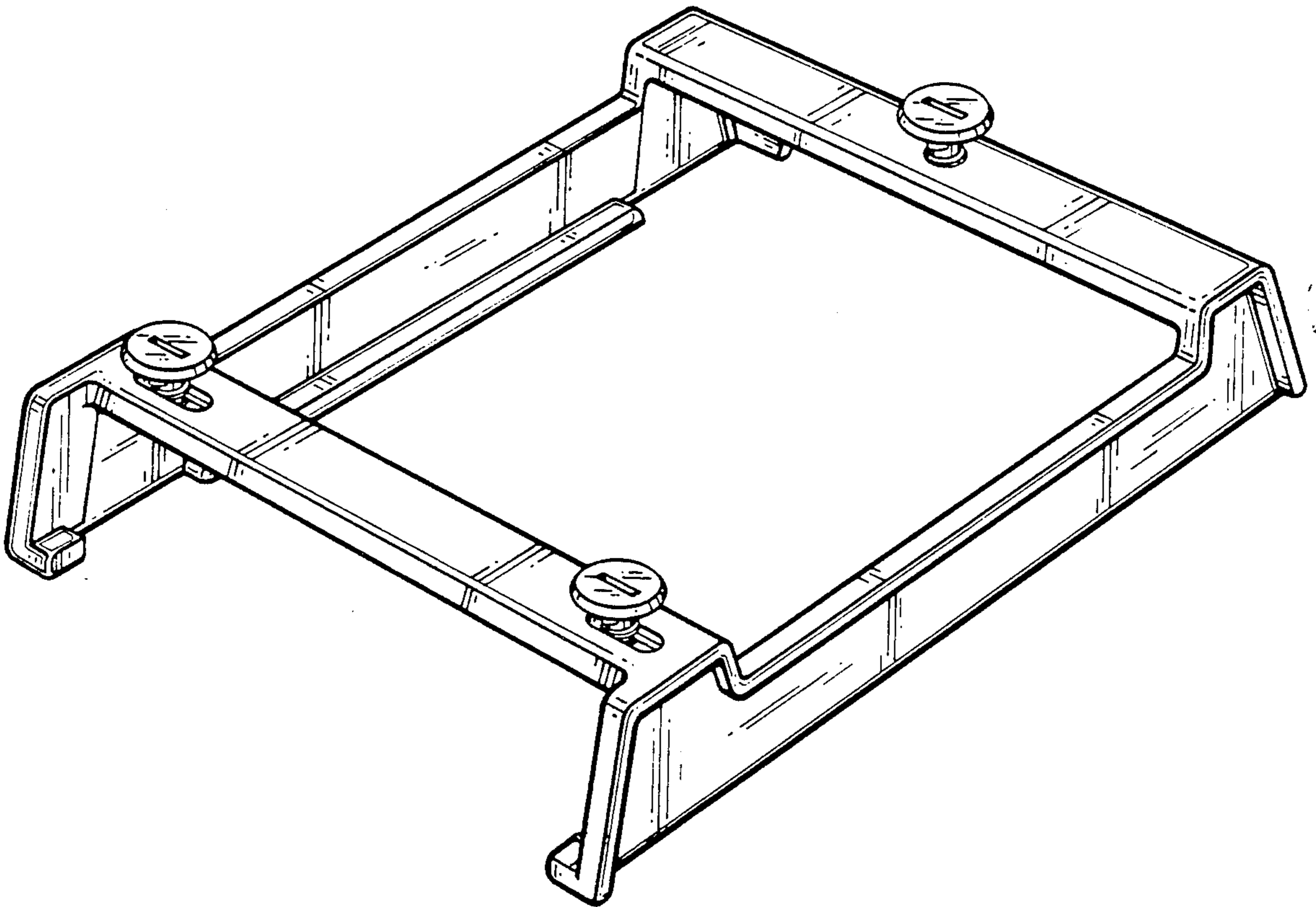


FIG. 1

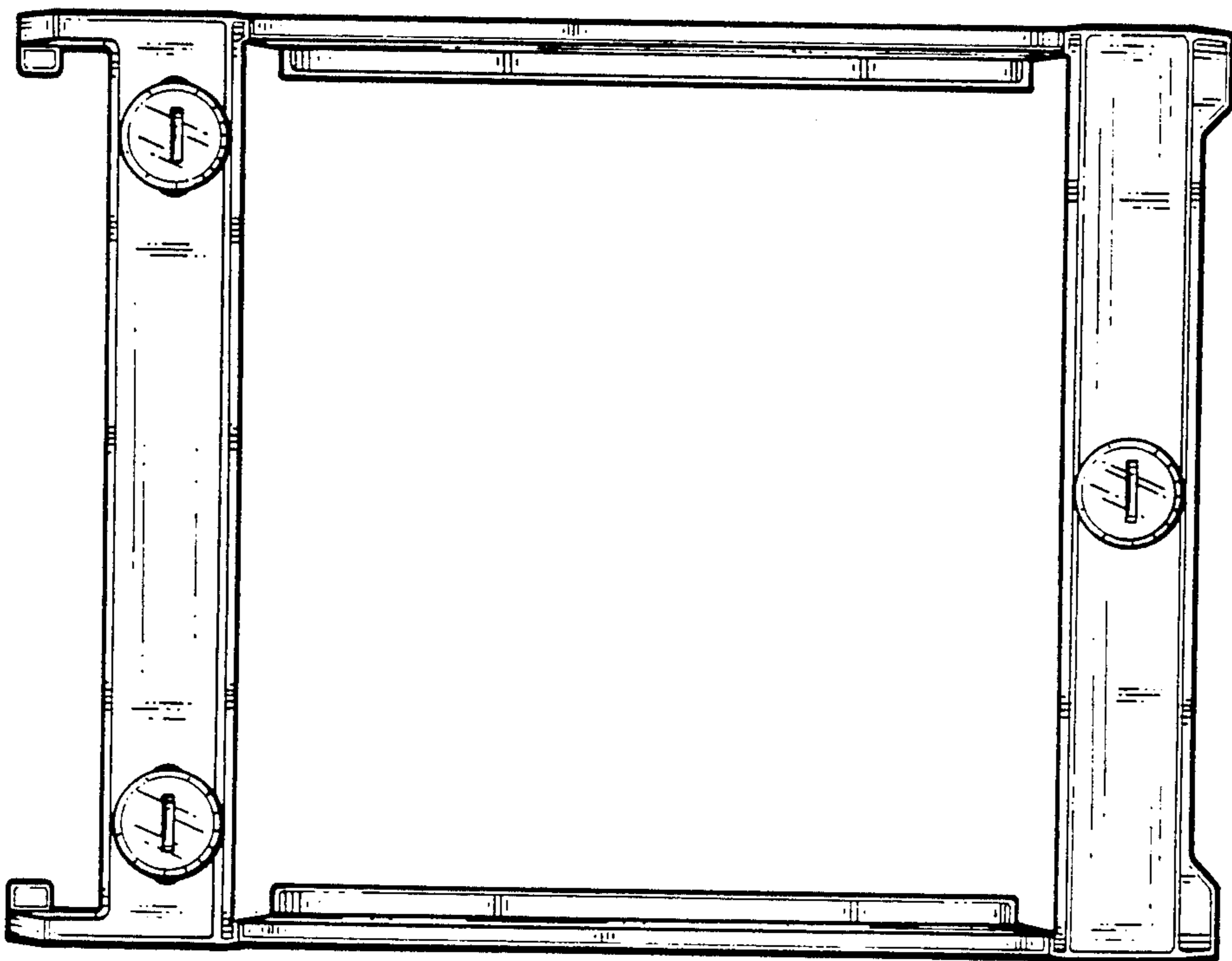


FIG. 2

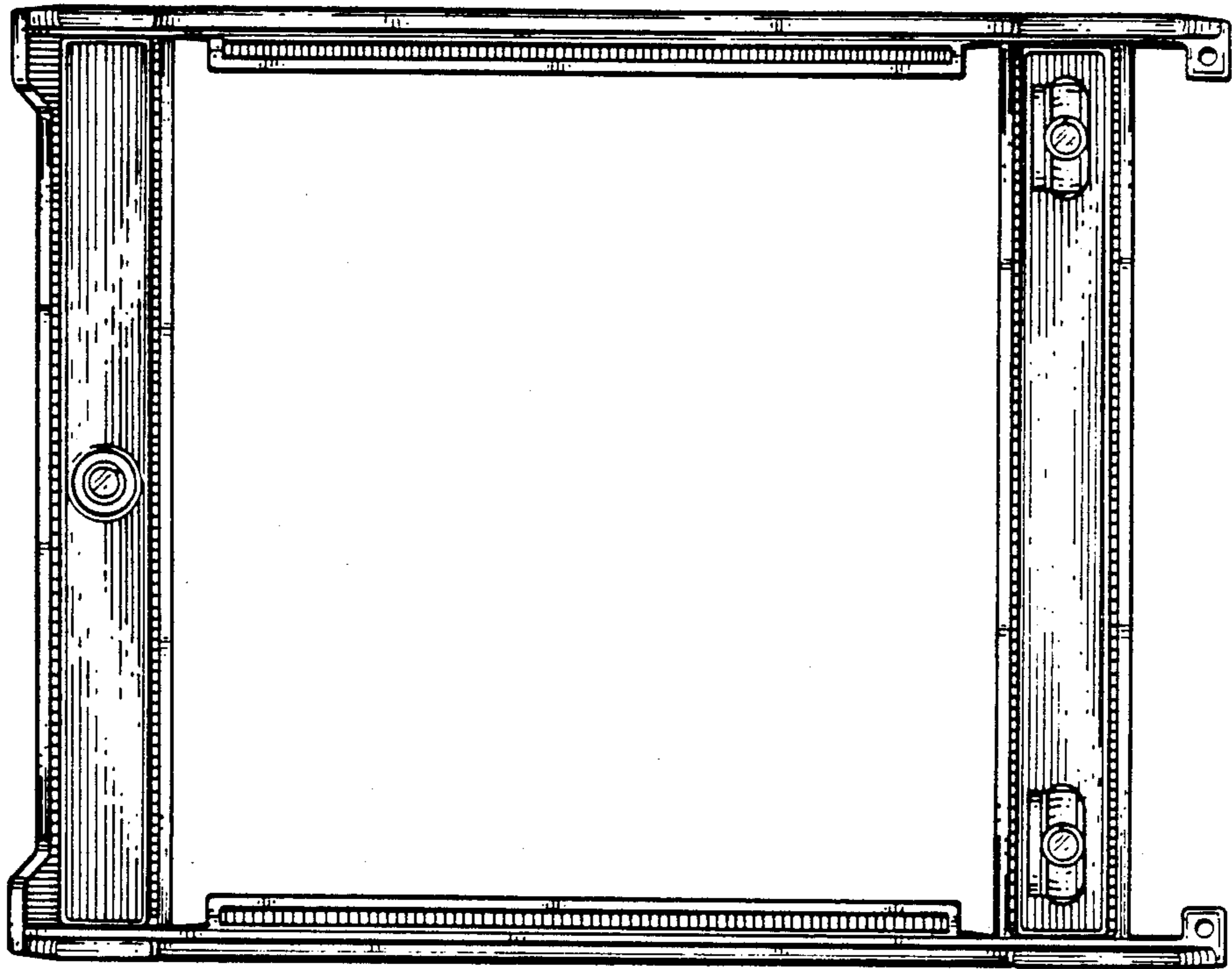


FIG. 3

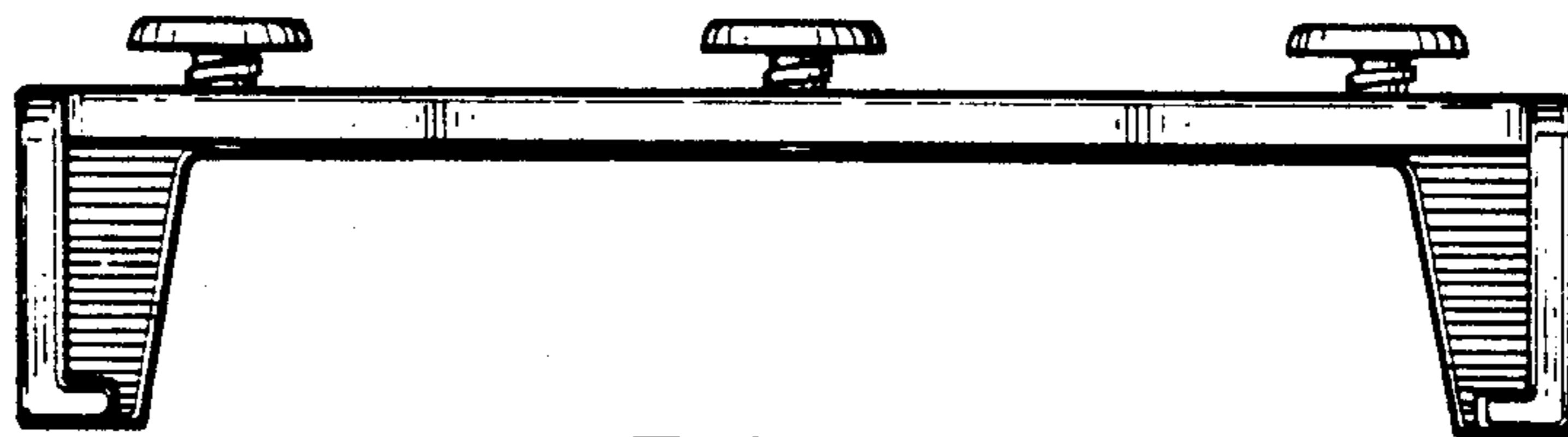


FIG. 4

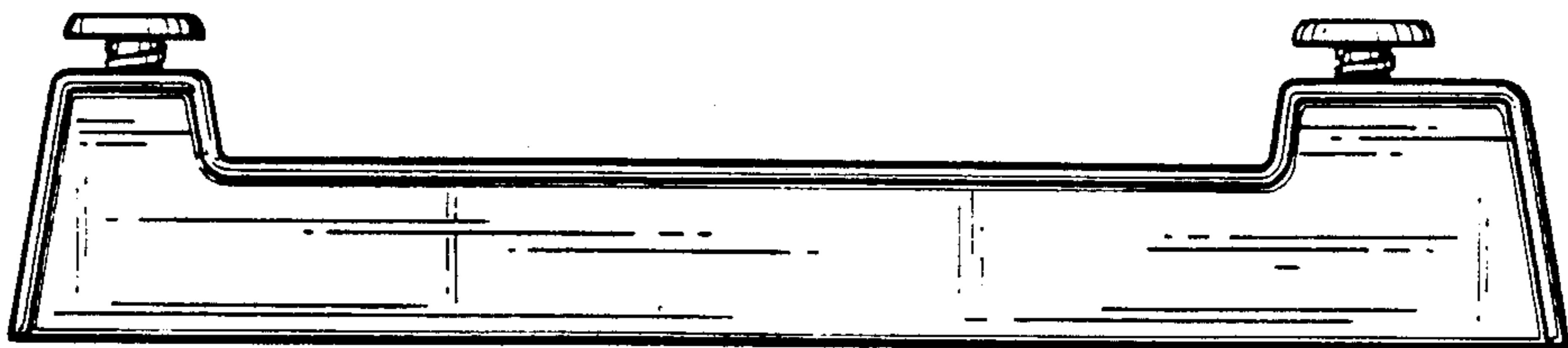


FIG. 5

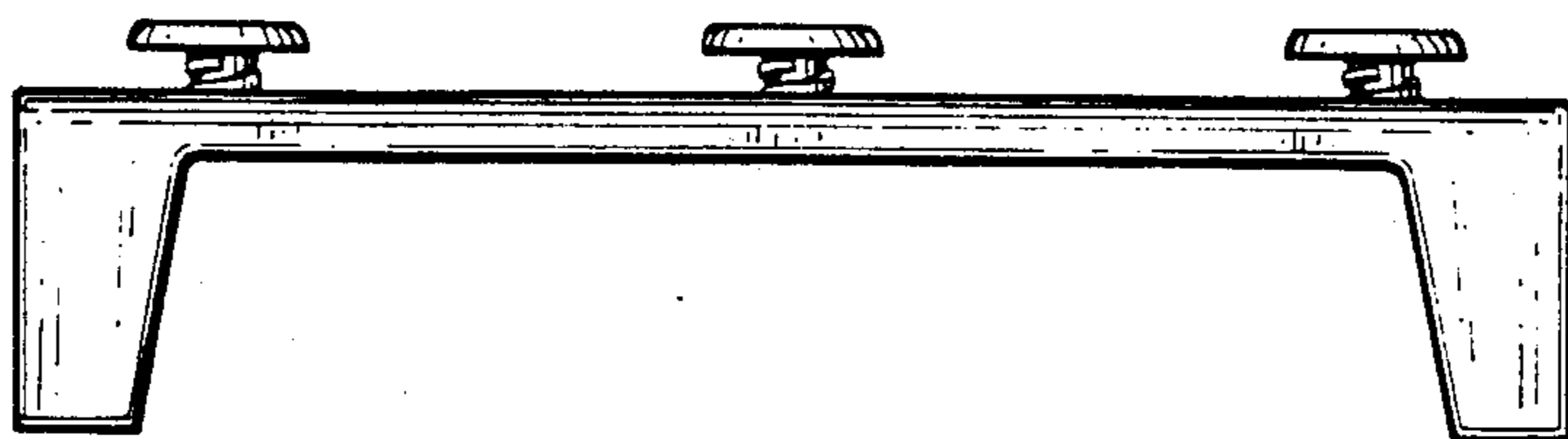


FIG. 6