

United States Patent [19]

Balderi

[11] Patent Number: **Des. 294,782**

[45] Date of Patent: **** Mar. 22, 1988**

[54] BENCH

[75] Inventor: Nicola Balderi, Englewood, Colo.

[73] Assignee: Landscape Forms, Inc., Kalamazoo, Mich.

[**] Term: 14 Years

[21] Appl. No.: 771,264

[22] Filed: Aug. 30, 1985

[52] U.S. Cl. D6/373; D6/370;
D6/381

[58] Field of Search D6/334, 370, 372, 373,
D6/379, 380; 297/441, 445

[56] References Cited

U.S. PATENT DOCUMENTS

D. 257,808 1/1981 Haggard D6/370

D. 261,968 11/1981 Caldwell D6/492
D. 263,353 3/1982 Beals D6/370
D. 264,156 5/1982 Lustig D6/370
D. 270,215 8/1983 Ochsner D6/373
4,566,731 1/1986 Marchesini 297/441 X

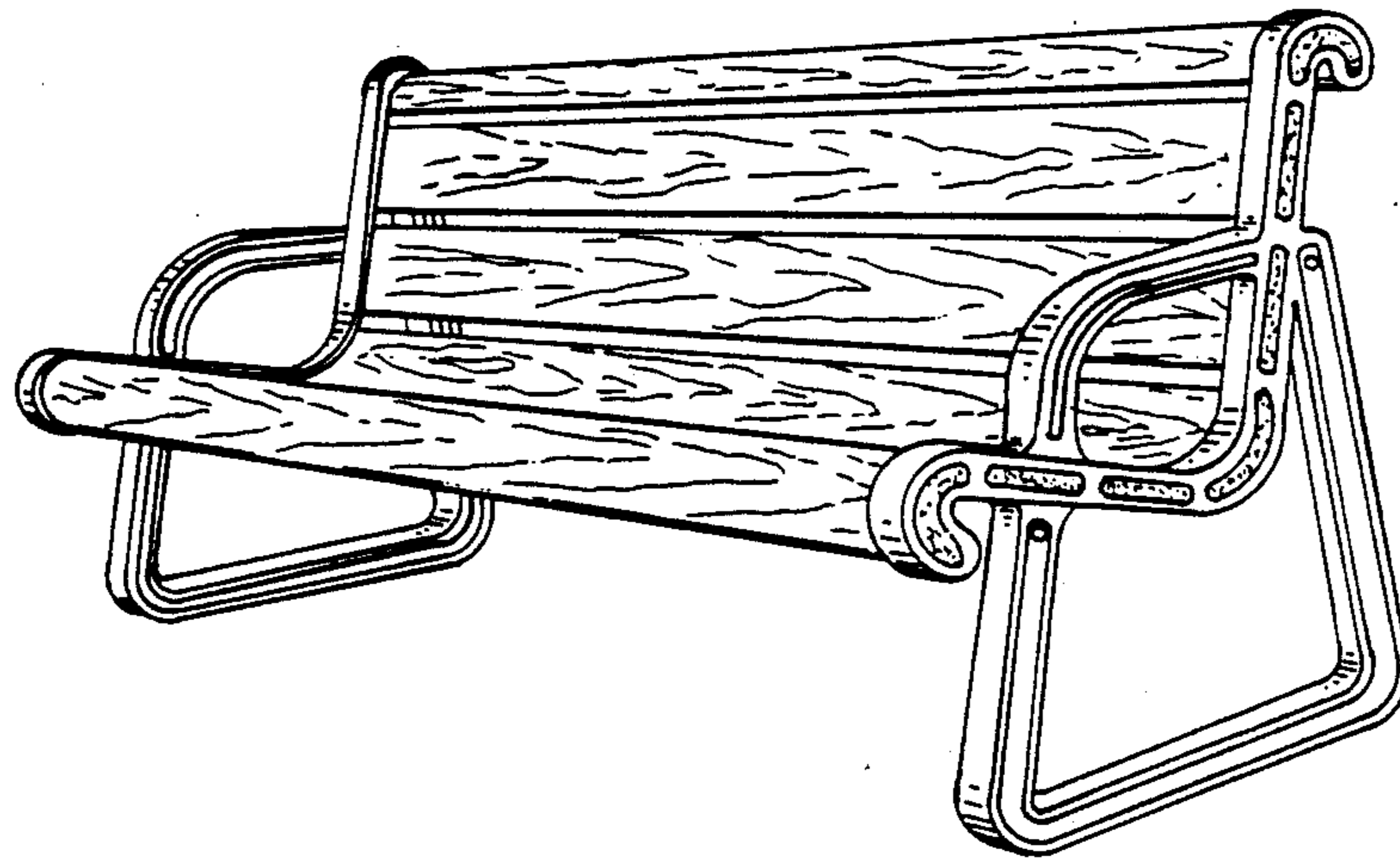
Primary Examiner—Bruce W. Dunkins
Attorney, Agent, or Firm—Varnum, Riddering, Schmidt & Howlett

[57] CLAIM

The ornamental design for a bench, as shown and described.

DESCRIPTION

FIG. 1 is a front perspective view of a bench showing my design;
FIG. 2 is a rear perspective view thereof; and
FIG. 3 is a left side view thereof with the right side view being identical thereto.



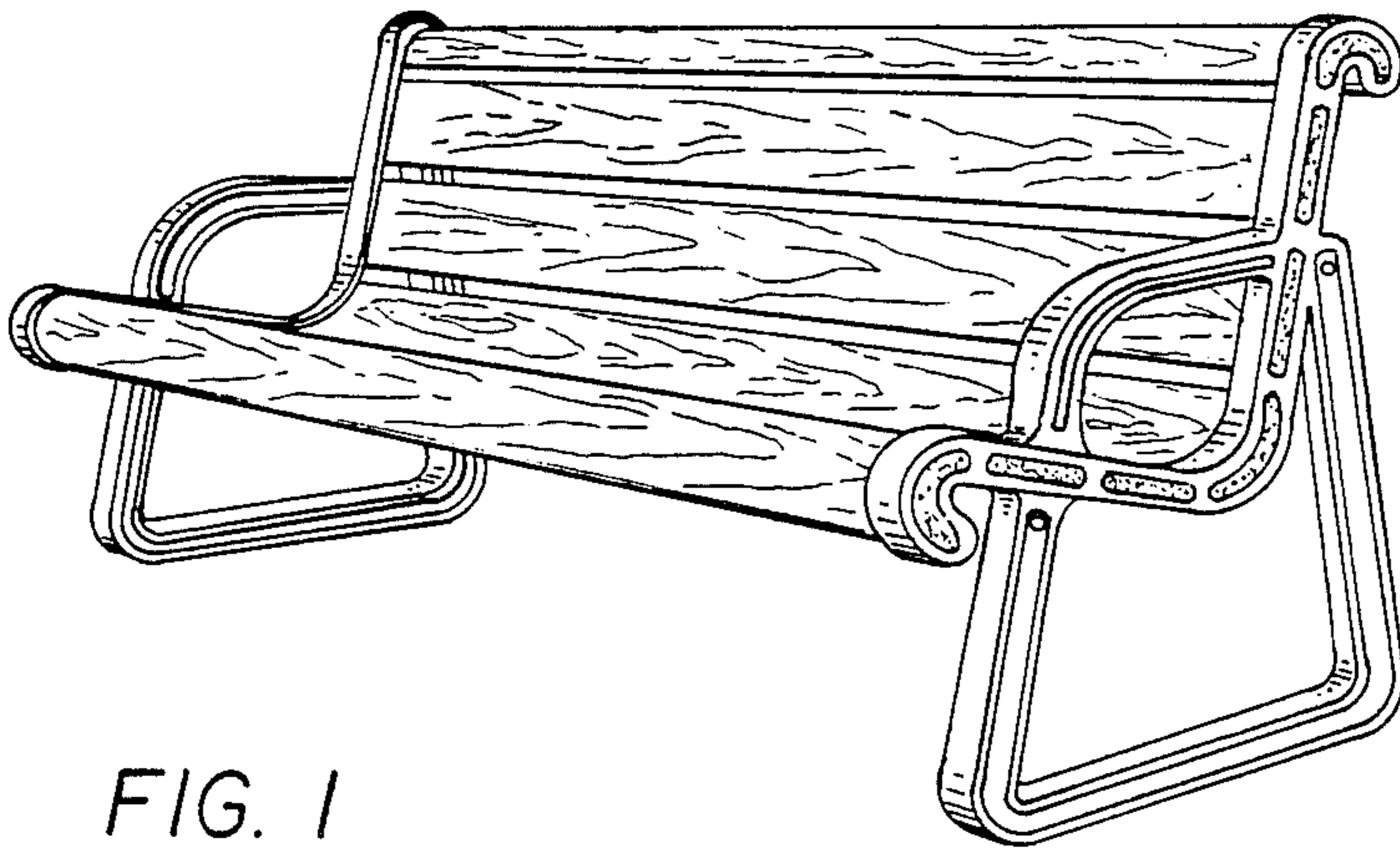


FIG. 1

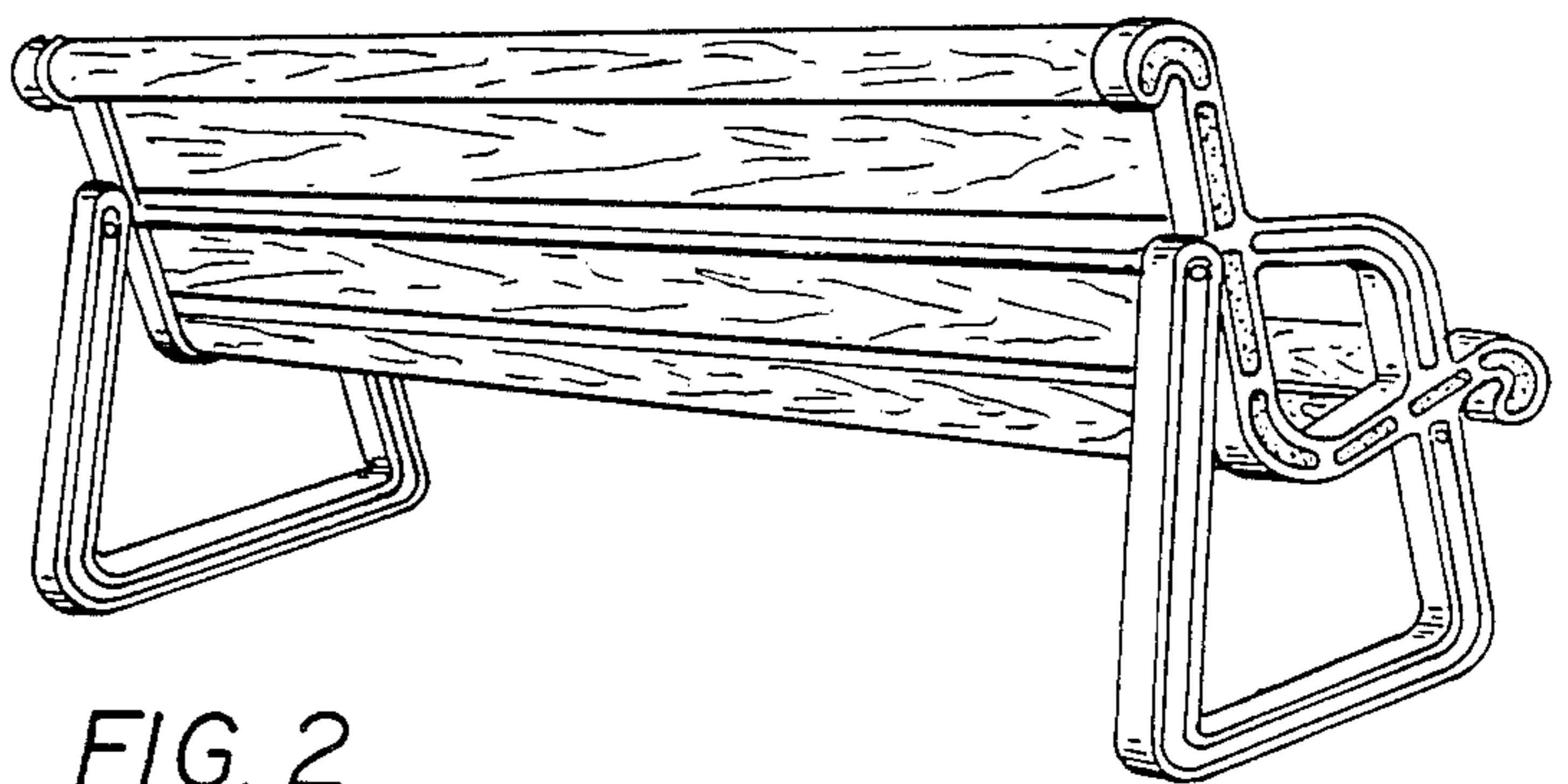


FIG. 2

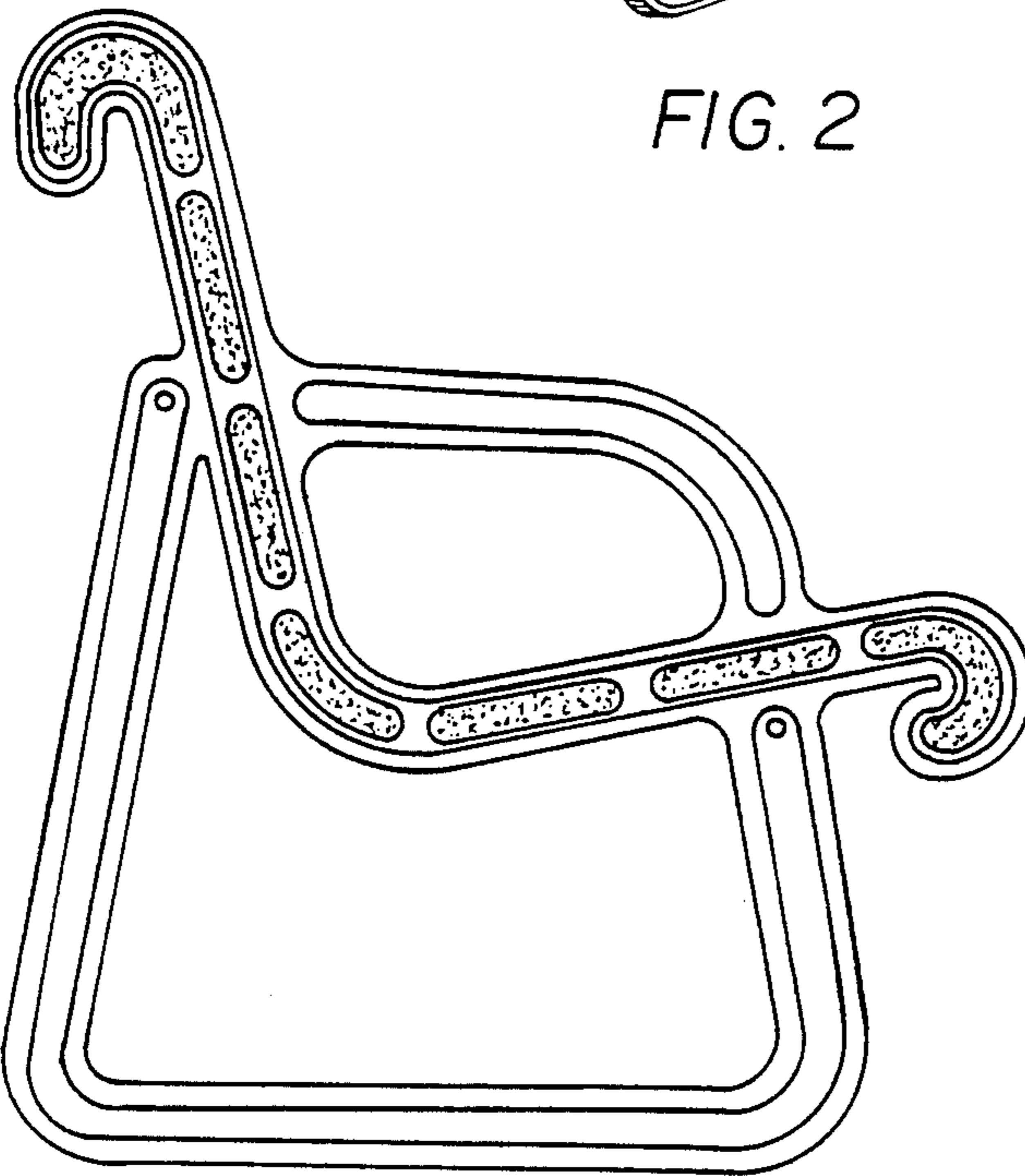


FIG. 3