

United States Patent [19]

Lynch

[11] Patent Number: Des. 294,778

[45] Date of Patent: ** Mar. 22, 1988

[54] CHILD'S CHAIR

[76] Inventor: Edward M. Lynch, R.R. No. 1, Box 9B, Aldrich, Minn. 56434

[**] Term: 14 Years

[21] Appl. No.: 766,415

[22] Filed: Aug. 16, 1985

[52] U.S. Cl. D6/333

[58] Field of Search D6/333, 334, 335, 339; 297/273, 274, 275, 276, 277, 279, 280, 174, 243

[56] References Cited

U.S. PATENT DOCUMENTS

- D. 182,082 2/1958 Pierce D6/333 X
- D. 213,579 3/1969 Golding D6/333
- D. 245,716 9/1977 Russo D6/333 X
- D. 283,855 5/1986 Kujawski D6/333

- 4,051,985 10/1977 Berger 297/243 X
- 4,053,091 10/1977 Martelet 297/243 X
- 4,248,478 2/1981 Aron 297/174

Primary Examiner—Bruce W. Dunkins
Attorney, Agent, or Firm—Lawrence M. Nawrocki

[57] CLAIM

The ornamental design for a child's chair, as shown and described.

DESCRIPTION

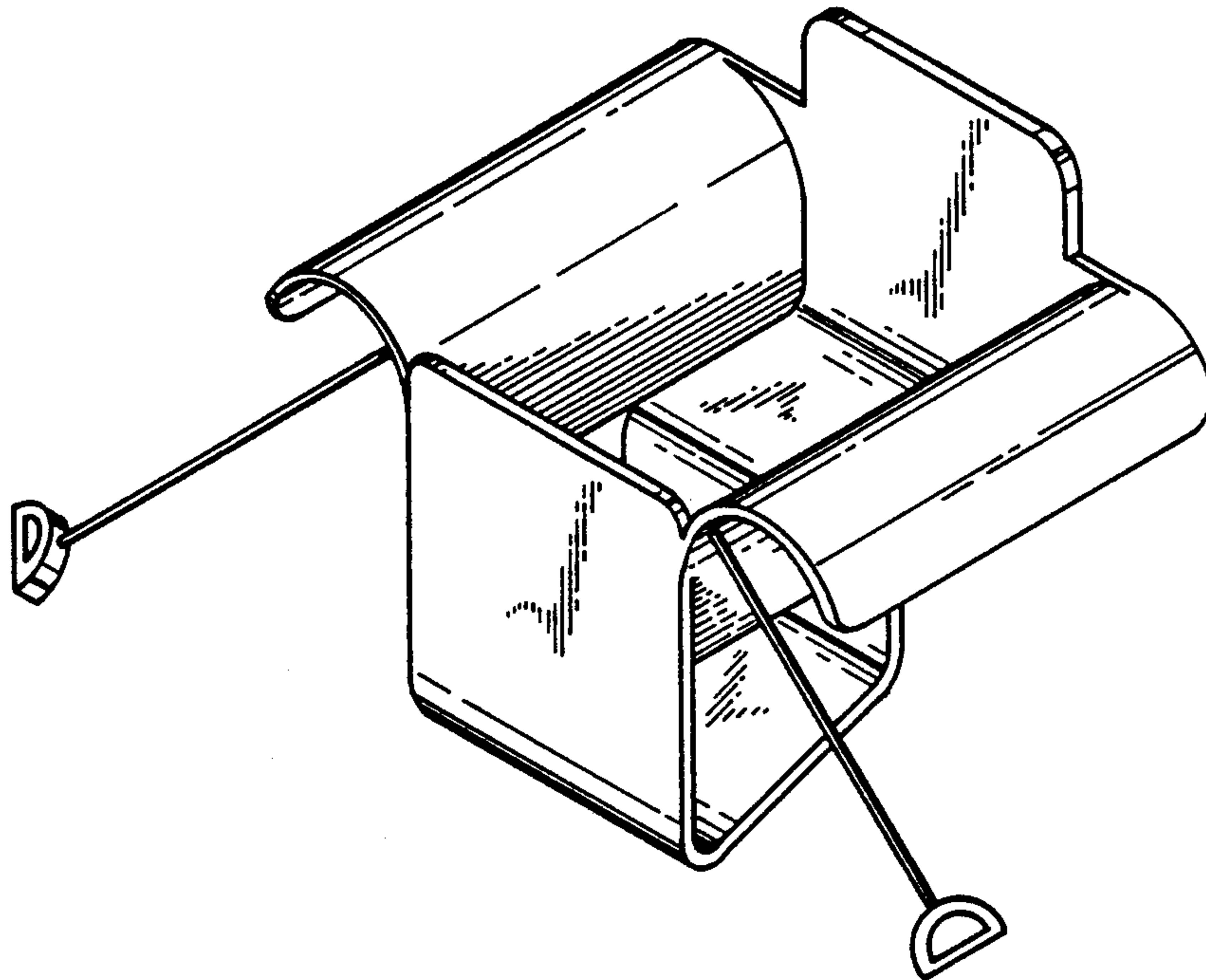
FIG. 1 is a side elevational view of a child's chair showing my design, the opposite side being a mirror image thereof;

FIG. 2 is a front elevational view;

FIG. 3 is a rear elevational view;

FIG. 4 is a top plan view; and,

FIG. 5 is a front perspective view thereof.



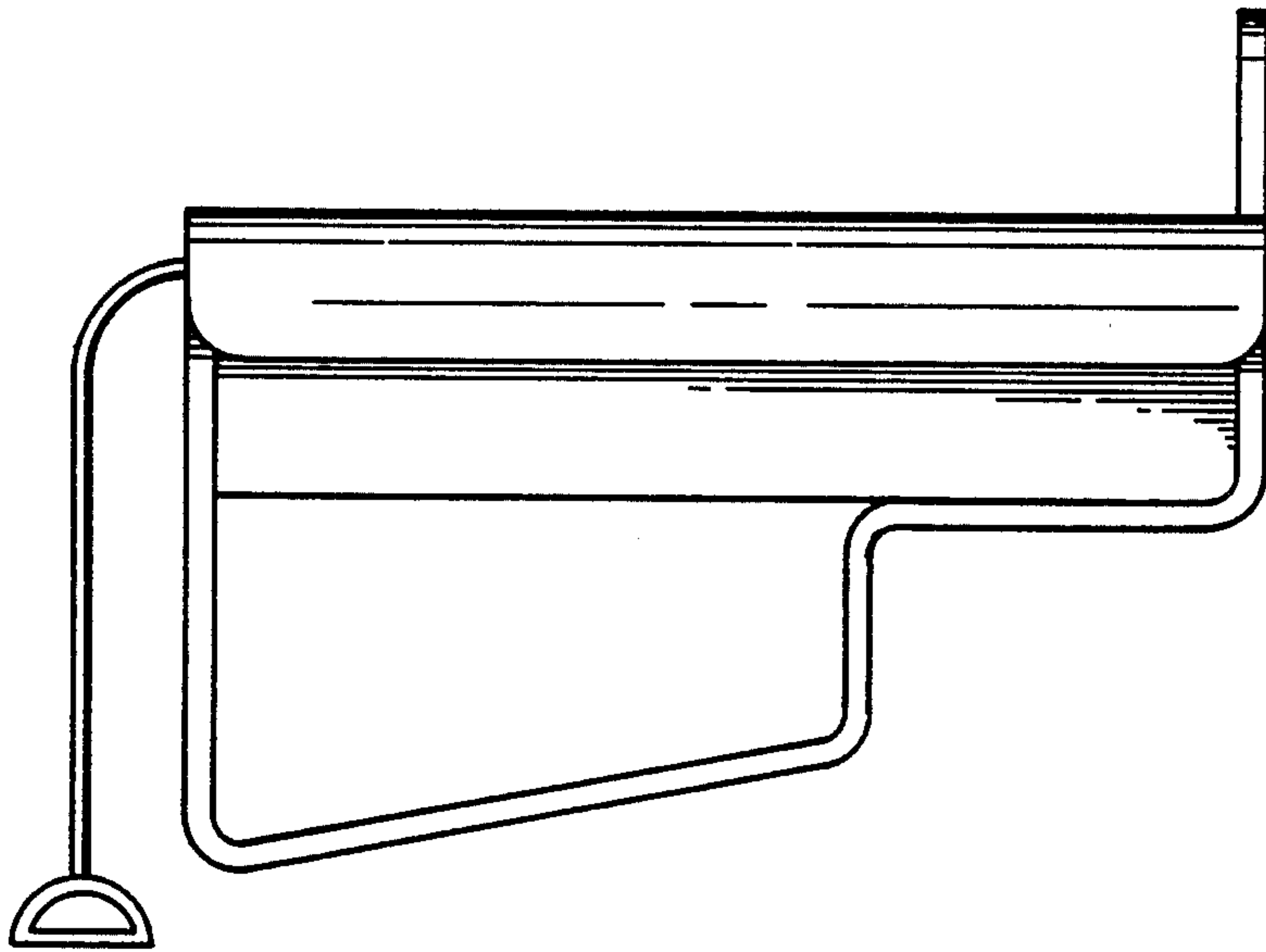


Fig. 1

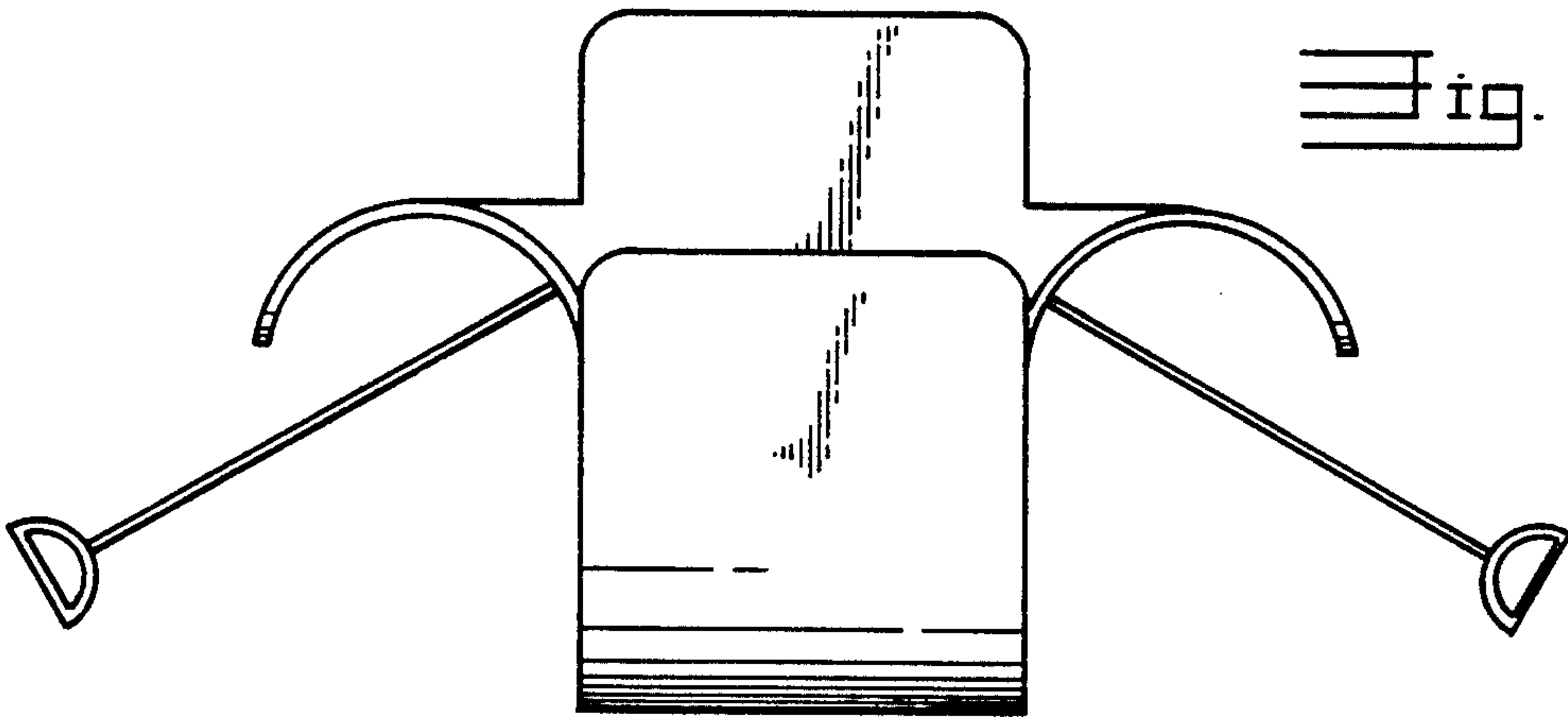


Fig. 2

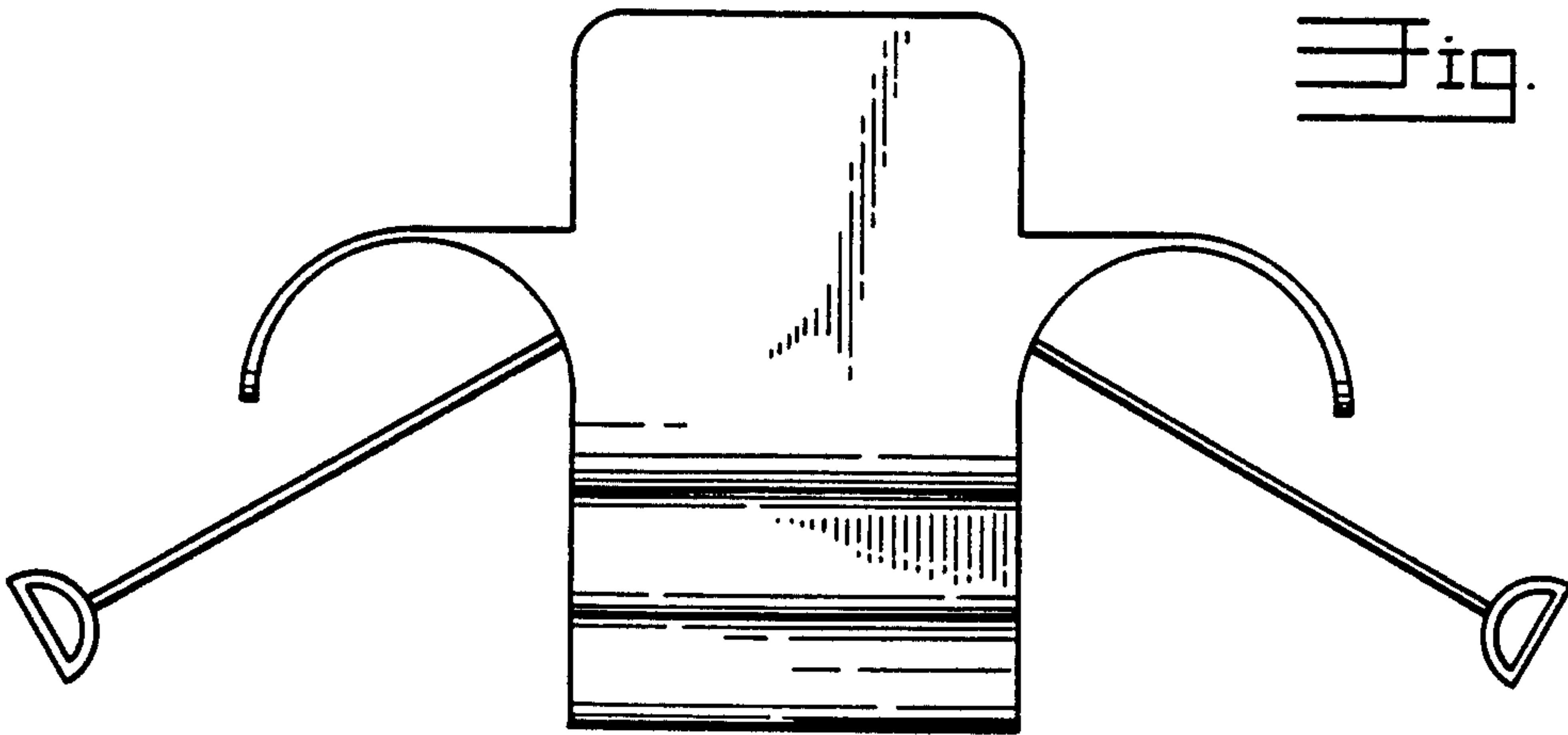


Fig. 3

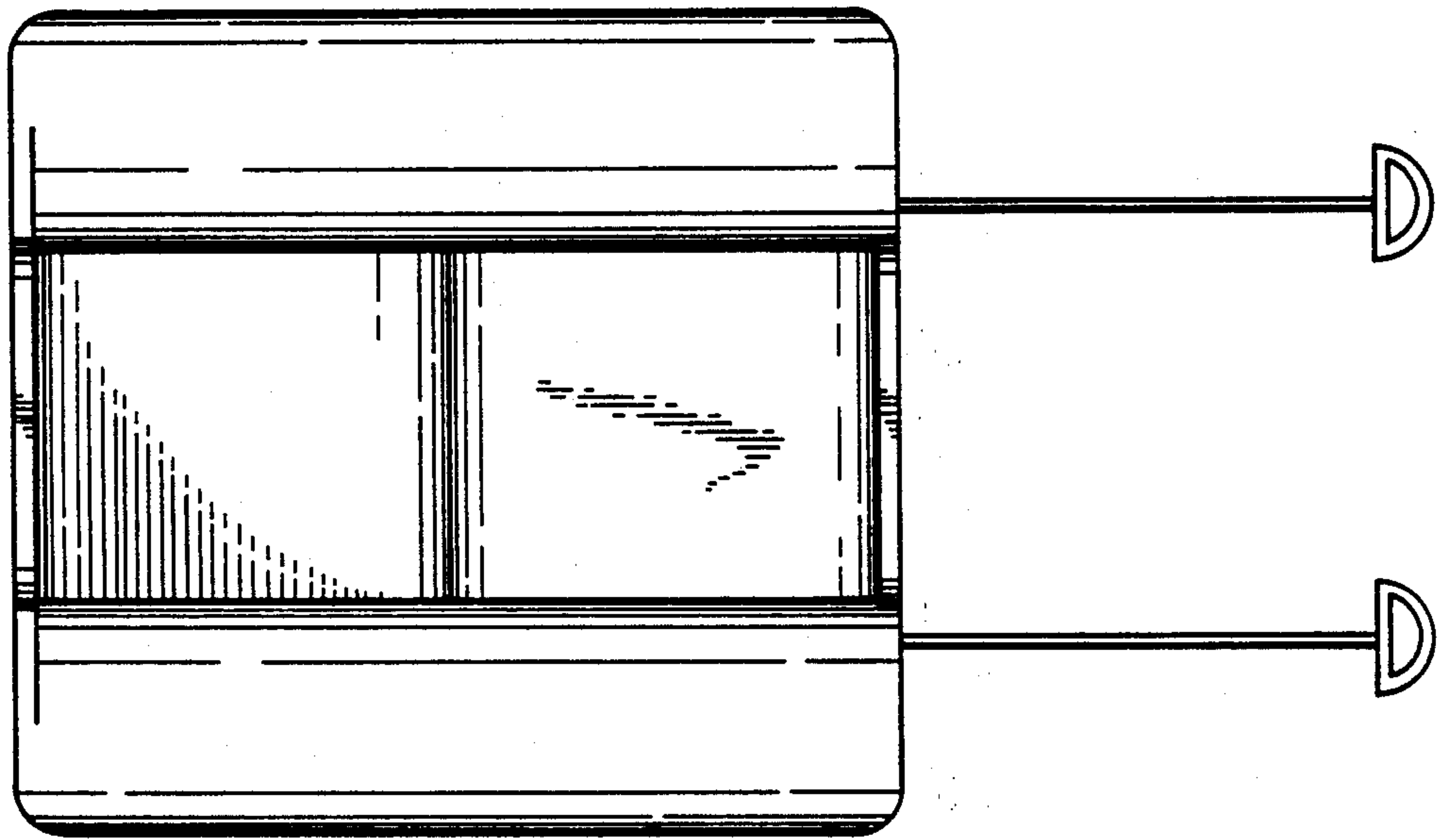


Fig. 4

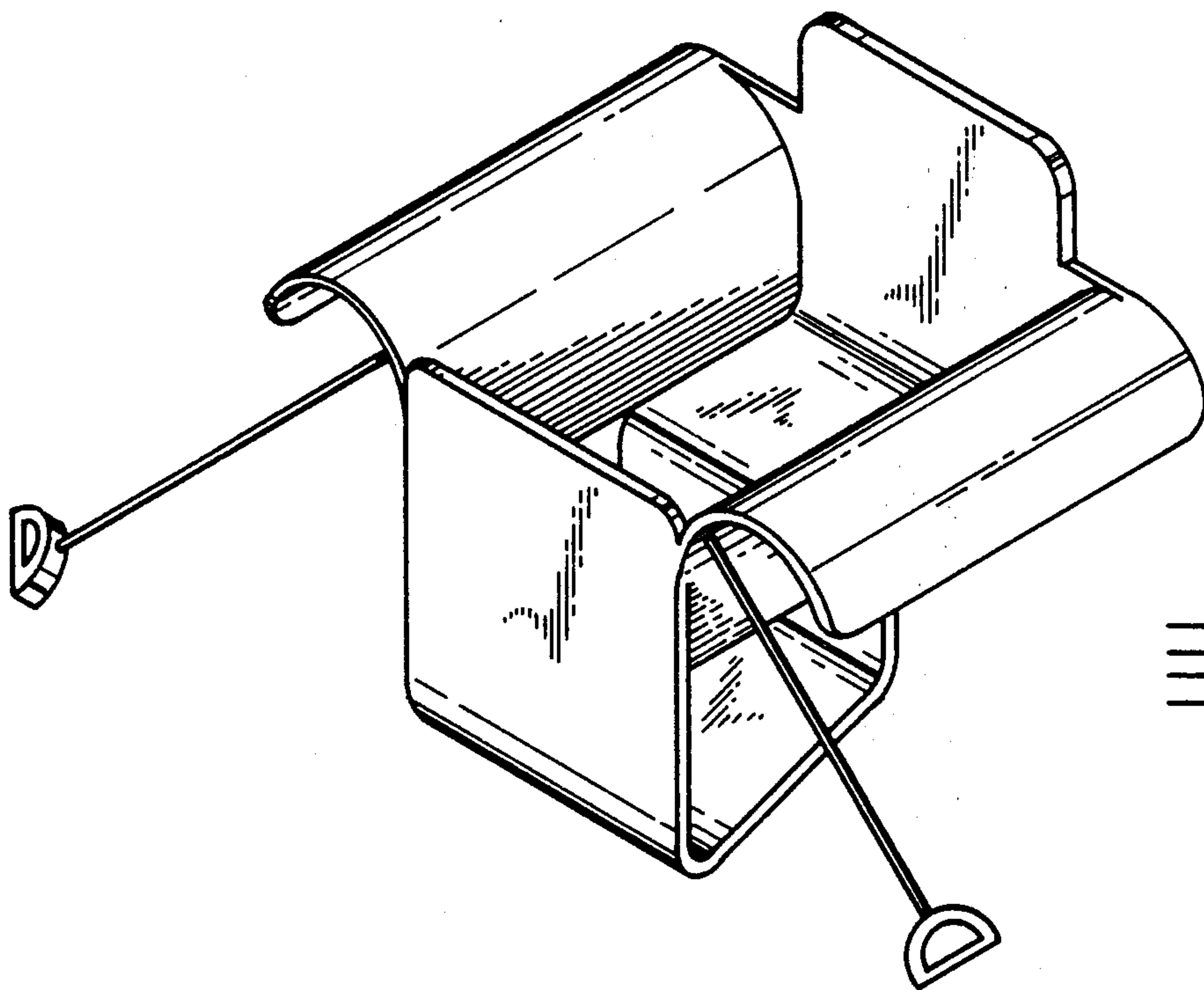


Fig. 5