

[54] INFANT AUTOMOBILE SEAT

[75] Inventors: Robert D. Wise, Akron; Paul K. Meeker, Kent, both of Ohio

[73] Assignee: Gerber Products Company, Fremont, Mich.

[**] Term: 14 Years

[21] Appl. No.: 783,906

[22] Filed: Oct. 3, 1985

[52] U.S. Cl. D6/333

[58] Field of Search D6/333, 334, 344, 367; 297/377, 384, 454, 455, 488

[56] References Cited

U.S. PATENT DOCUMENTS

- D. 210,276 2/1968 Hamilton et al. D6/333
- D. 289,465 4/1987 Wise D6/333

- 3,910,634 10/1975 Morris 297/384
- 3,934,934 1/1976 Farrell, Jr. et al. 297/384
- 3,976,328 8/1976 Stahel 297/377
- 4,580,842 4/1986 Segal 297/488

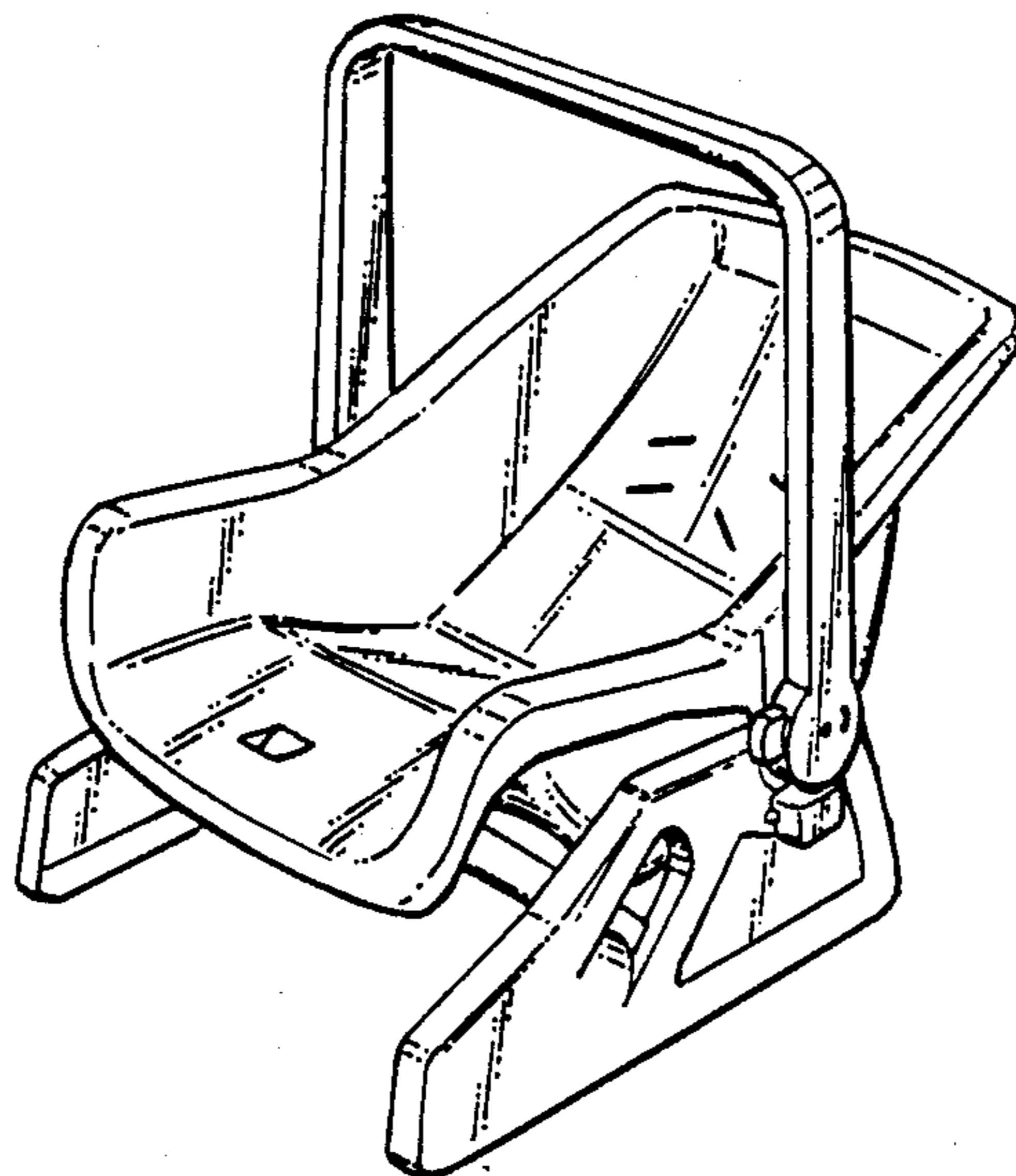
Primary Examiner—Bruce W. Dunkins
Attorney, Agent, or Firm—Townsend and Townsend

[57] CLAIM

The ornamental design for an infant automobile seat, as shown and described.

DESCRIPTION

FIG. 1 is a front perspective view of a infant automobile seat, showing our design;
 FIG. 2 is a top plan view;
 FIG. 3 is a front elevational view;
 FIG. 4 is a left side elevational view, the right side elevational view being a mirror image thereof;
 FIG. 5 is a rear elevational view; and
 FIG. 6 is a bottom plan view thereof.



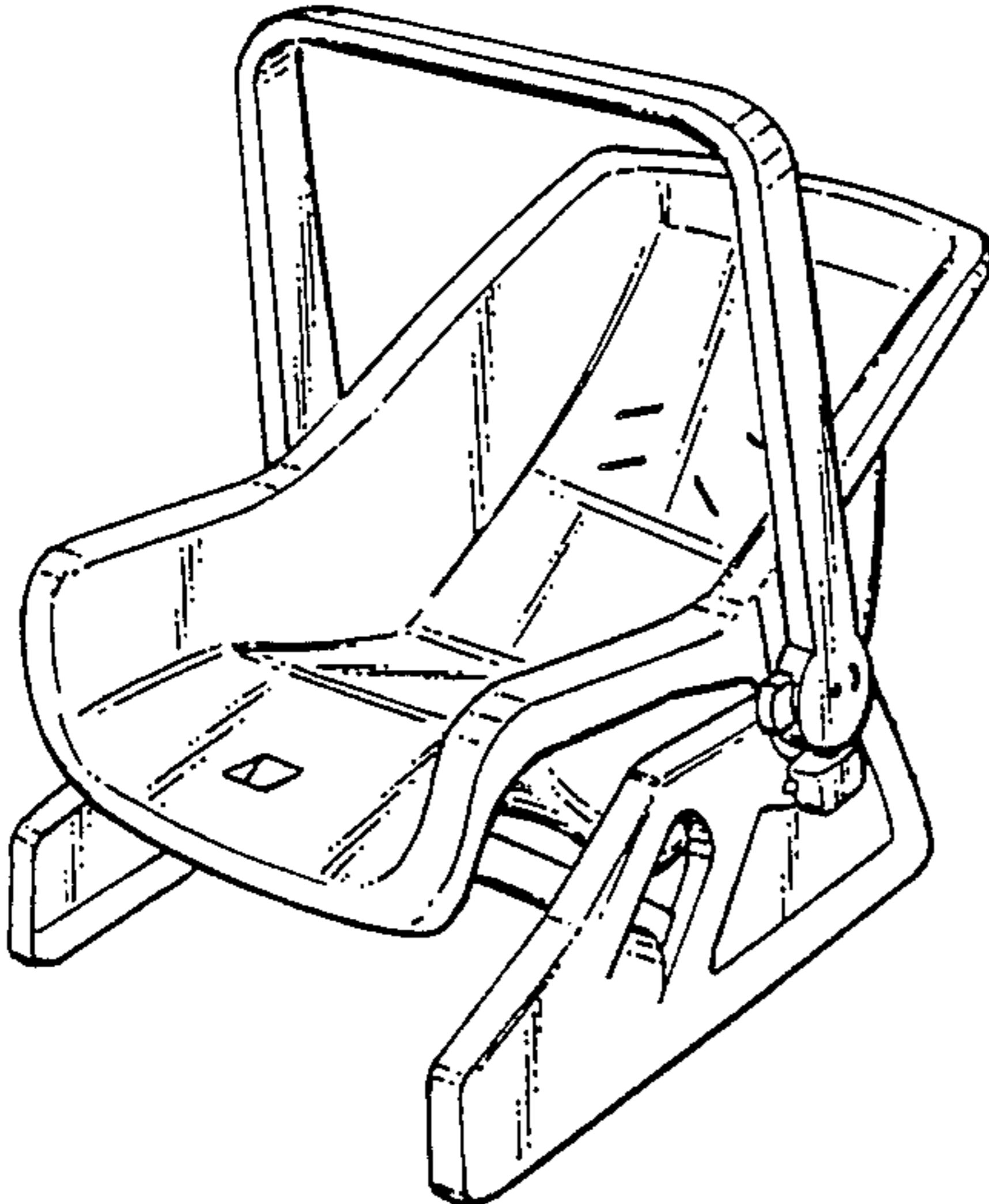


FIG. 1.

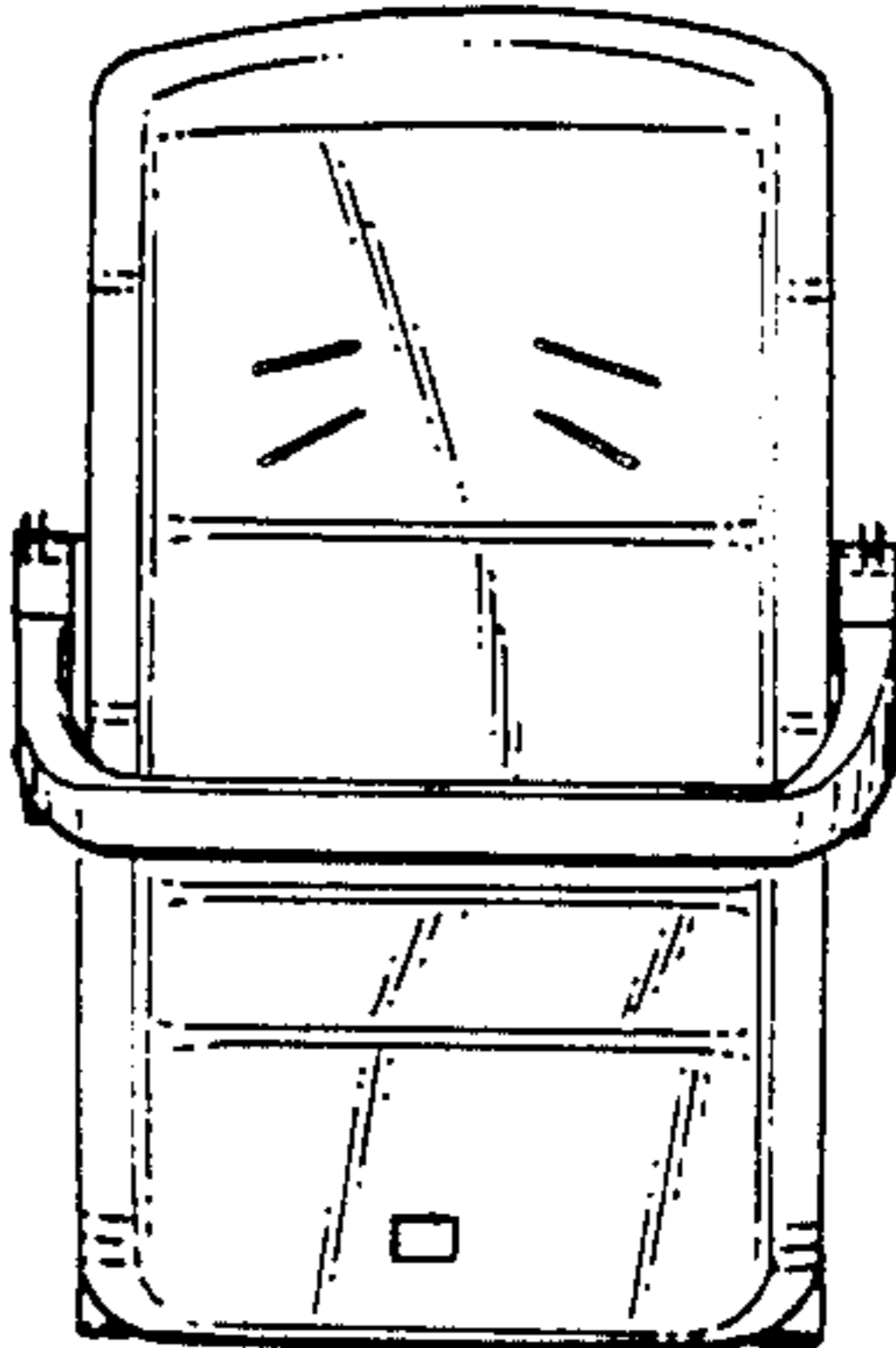


FIG. 2.

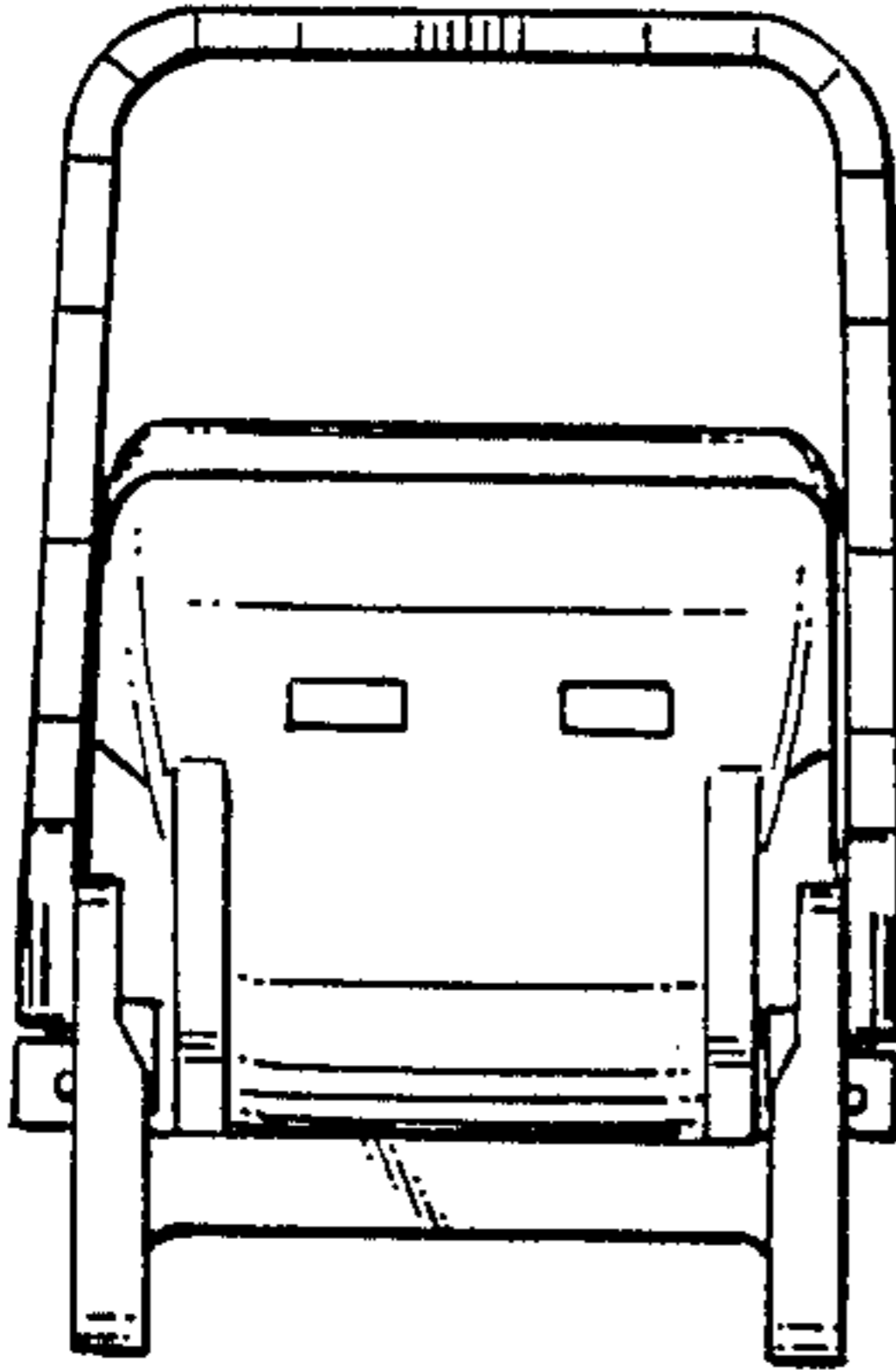


FIG. 5.

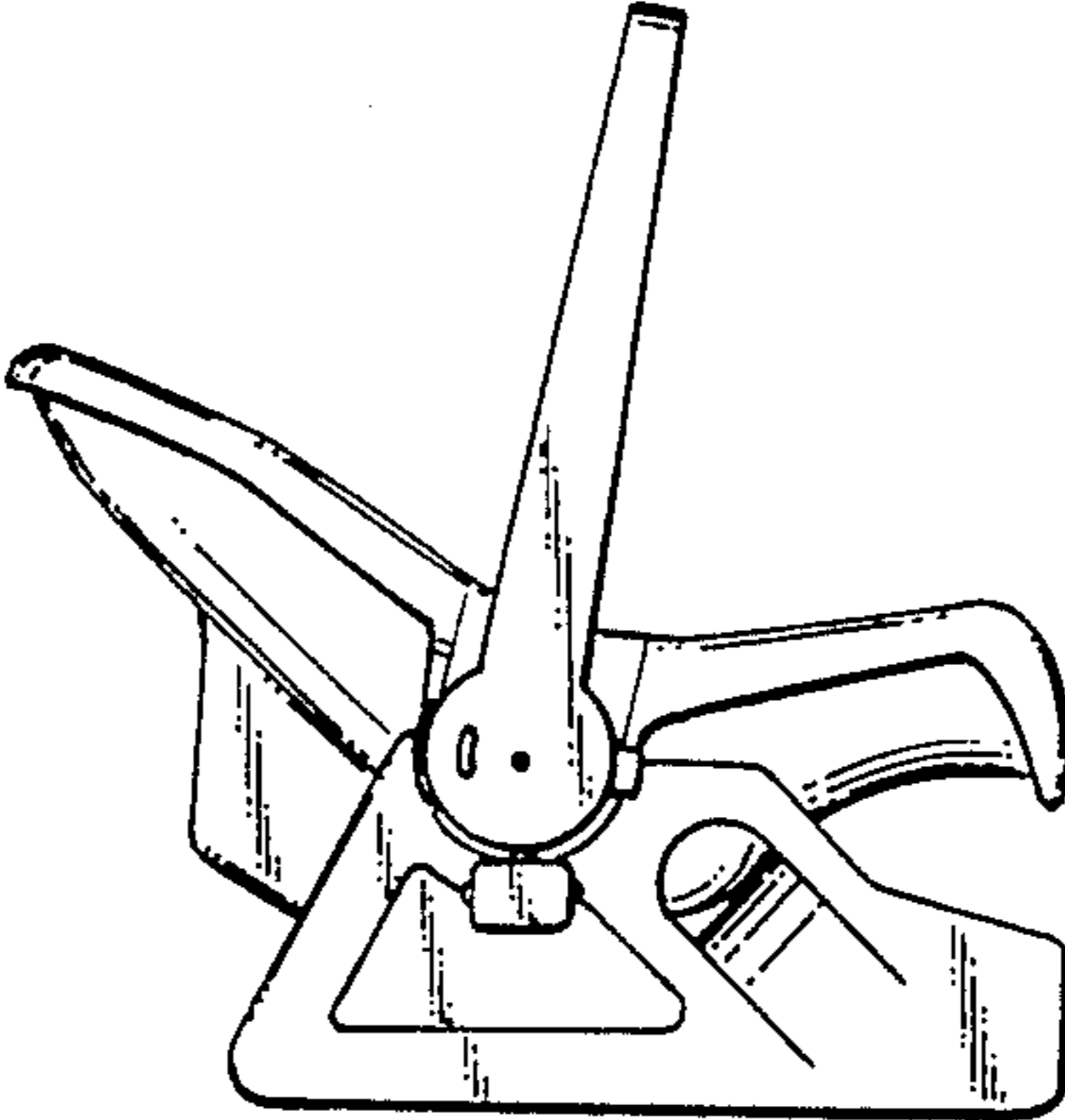


FIG. 4.

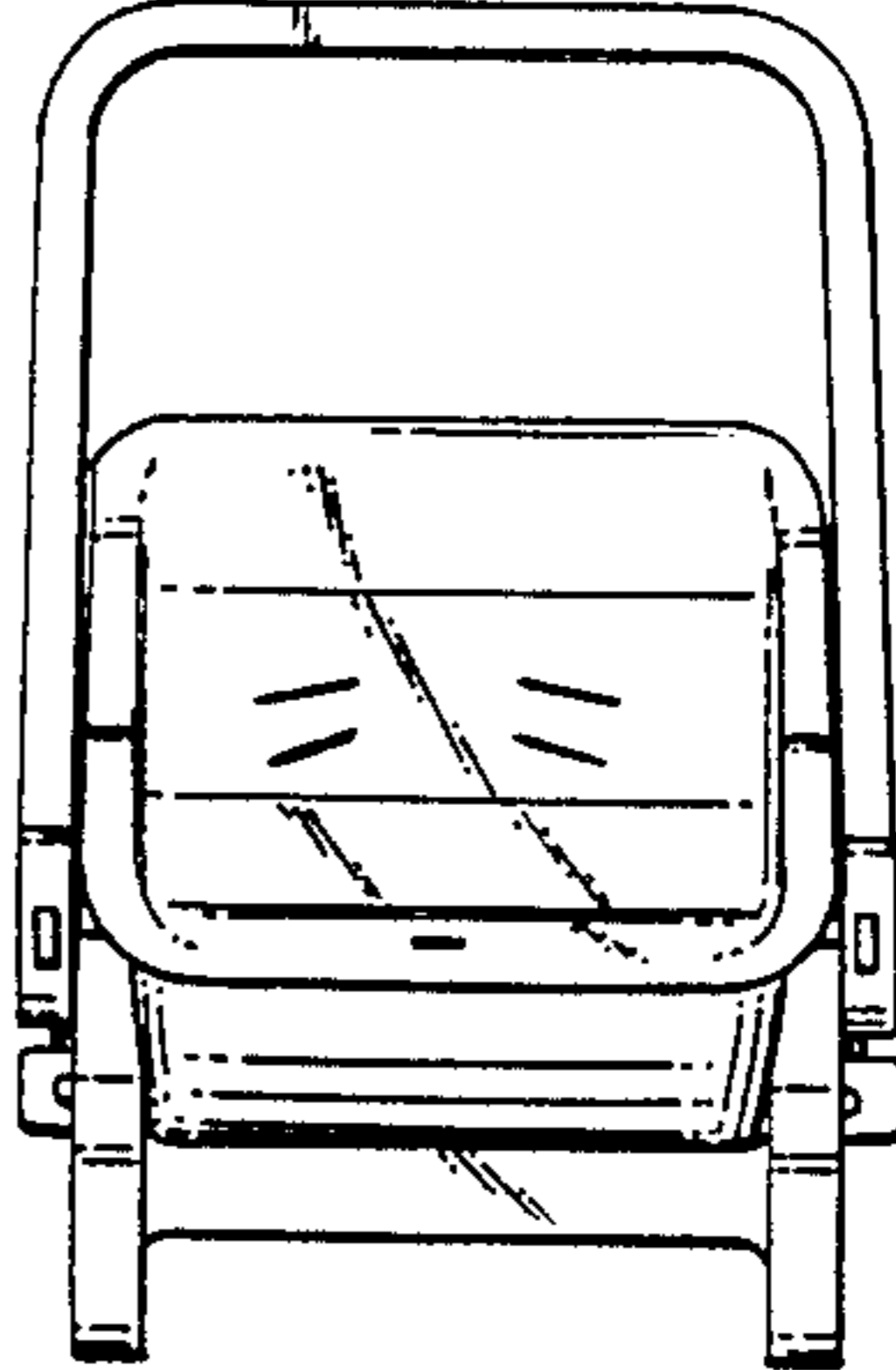


FIG. 3.

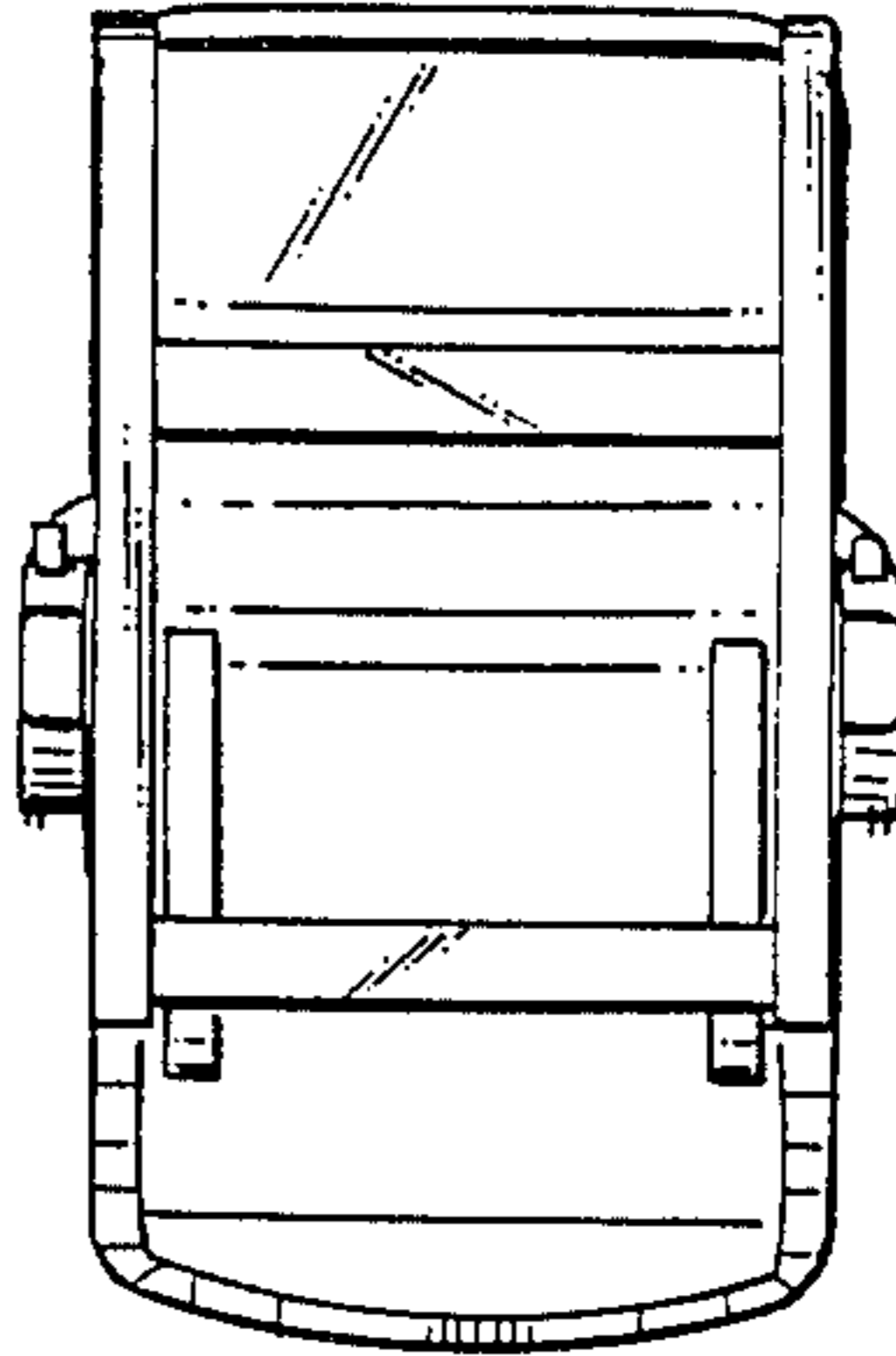


FIG. 6.