

[54] BRIEFCASE

[75] Inventors: Terence W. Gander; Jeremy Gardner, both of Bracknell, United Kingdom

[73] Assignee: Sy Ziv Associates Inc., New York, N.Y.

[**] Term: 14 Years

[21] Appl. No.: 819,460

[22] Filed: Jan. 16, 1986

[30] Foreign Application Priority Data

Jul. 31, 1985 [GB] United Kingdom 1028295

[52] U.S. Cl. D3/73; D3/35; D3/76

[58] Field of Search D3/30.1, 33, 35, 38, D3/72-74, 76, 77; 190/100, 109, 113, 114, 115, 900, 901

[56] References Cited

U.S. PATENT DOCUMENTS

- D. 153,658 5/1949 Arbib D3/72
- D. 271,725 12/1983 Sherer D3/76
- D. 279,728 7/1985 Kurihara D3/73
- D. 291,946 9/1987 Dotturi et al. D3/73

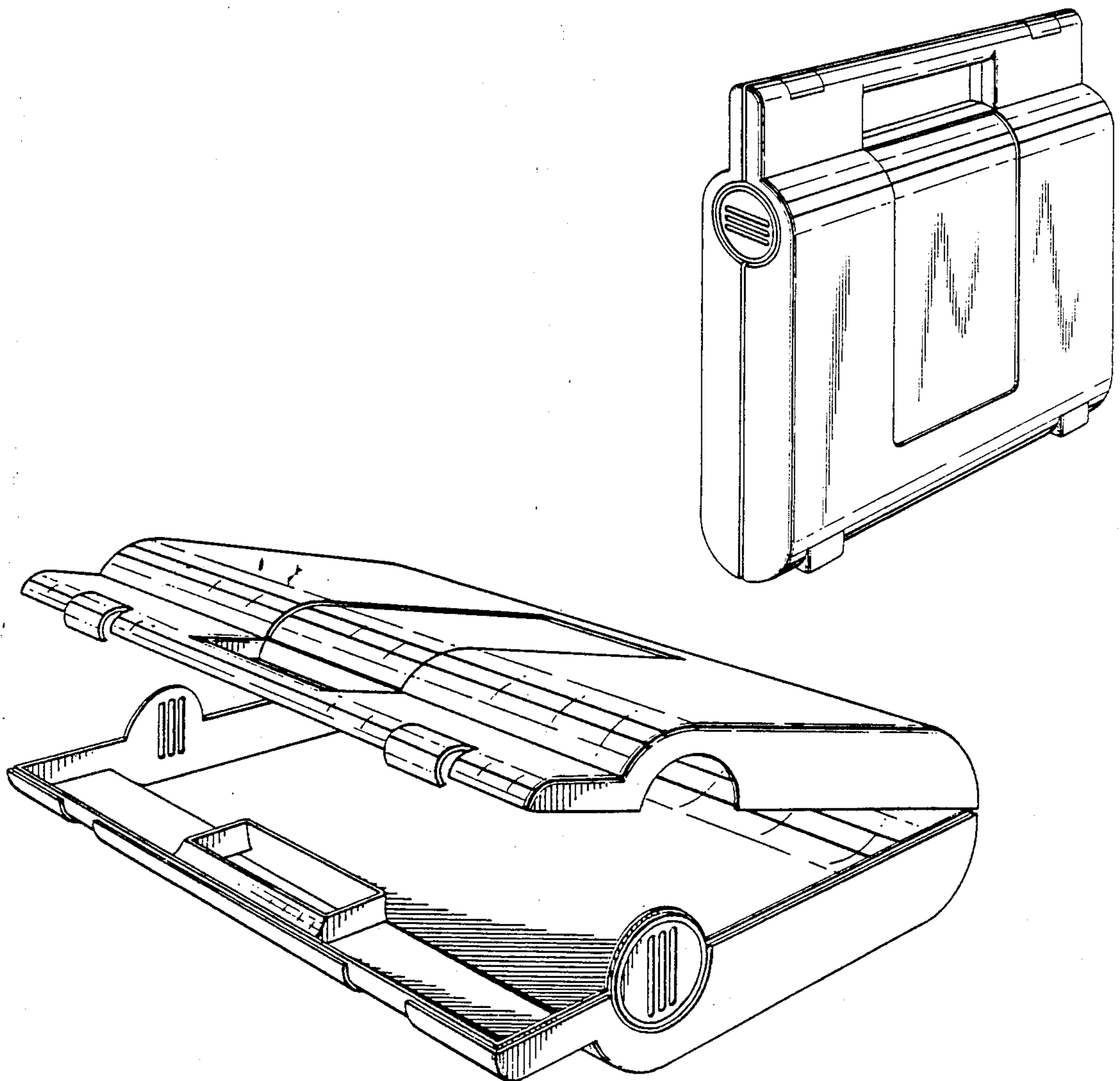
Primary Examiner—George P. Word
Attorney, Agent, or Firm—Browdy and Neimark

[57] CLAIM

The ornamental design for a briefcase, as shown and described.

DESCRIPTION

FIG. 1 is a perspective view of a briefcase showing our new design;
 FIG. 2 is a perspective view thereof as viewed from the opposite side of the briefcase shown in FIG. 1;
 FIG. 3 is a side elevational view thereof as seen from the side of the briefcase shown in FIG. 1;
 FIG. 4 is an end elevational view thereof as seen looking from either the left or right of FIG. 3, and
 FIG. 5 is a perspective view thereof showing the briefcase partially open.



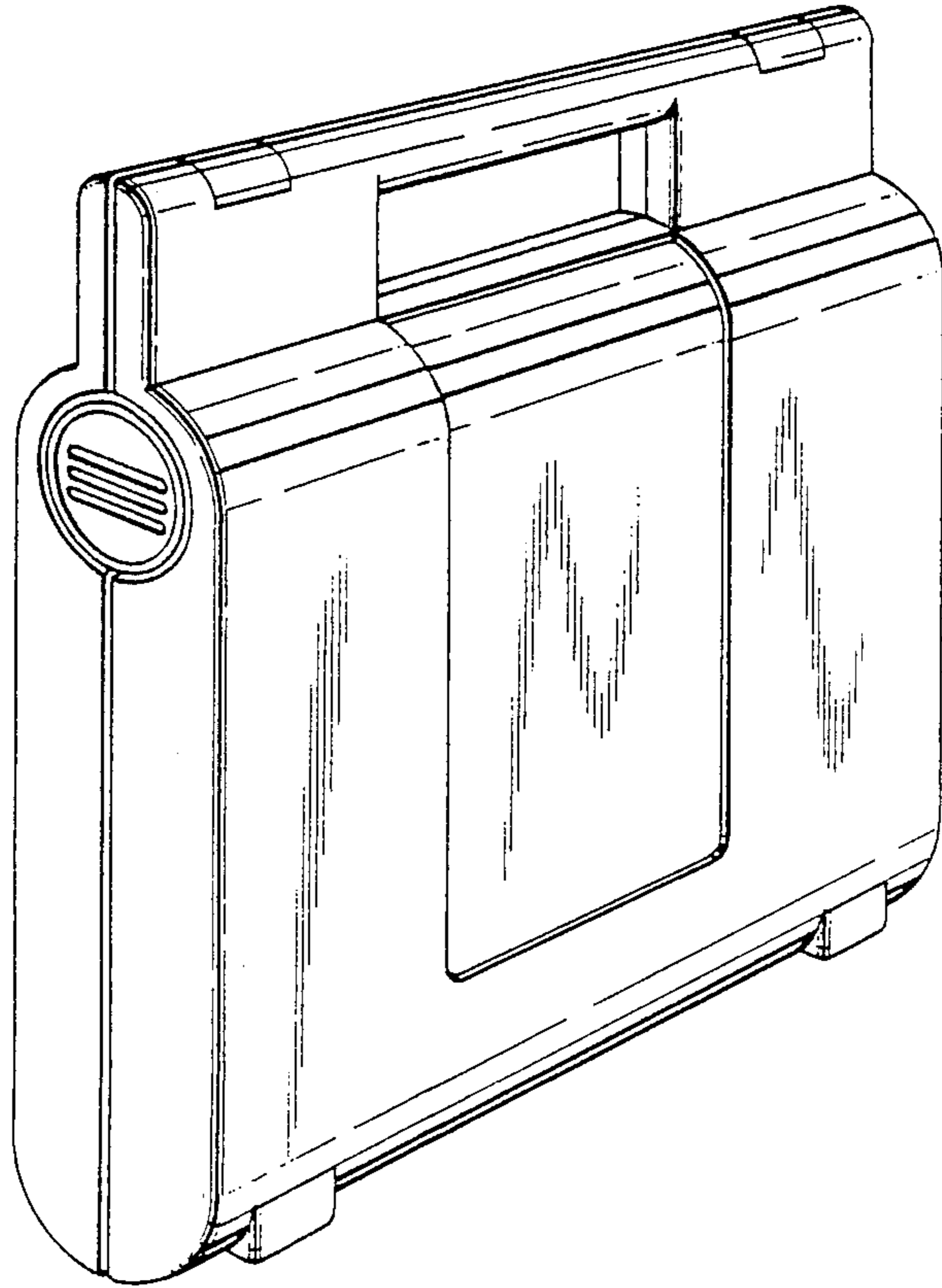


FIG. 1

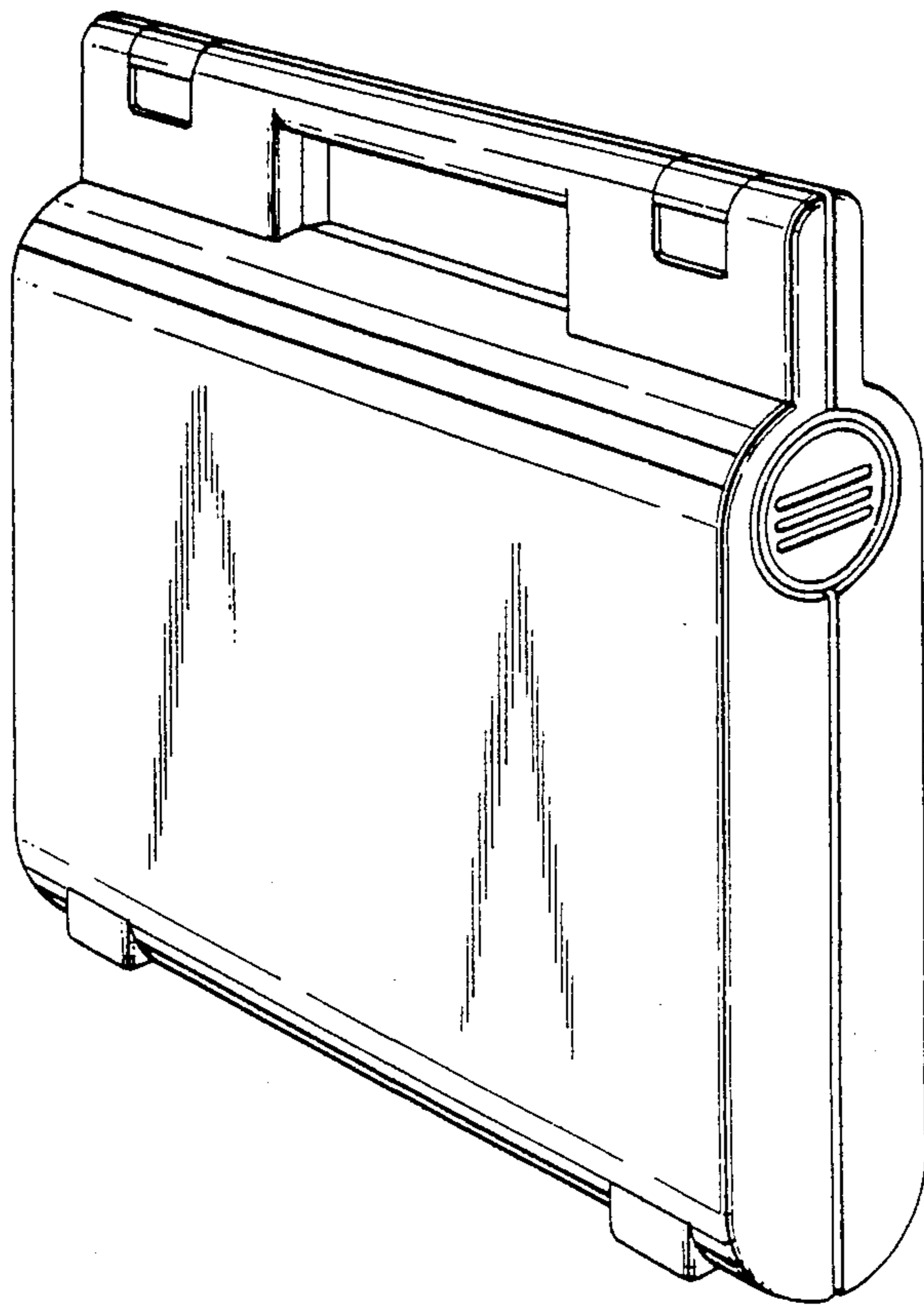


FIG. 2

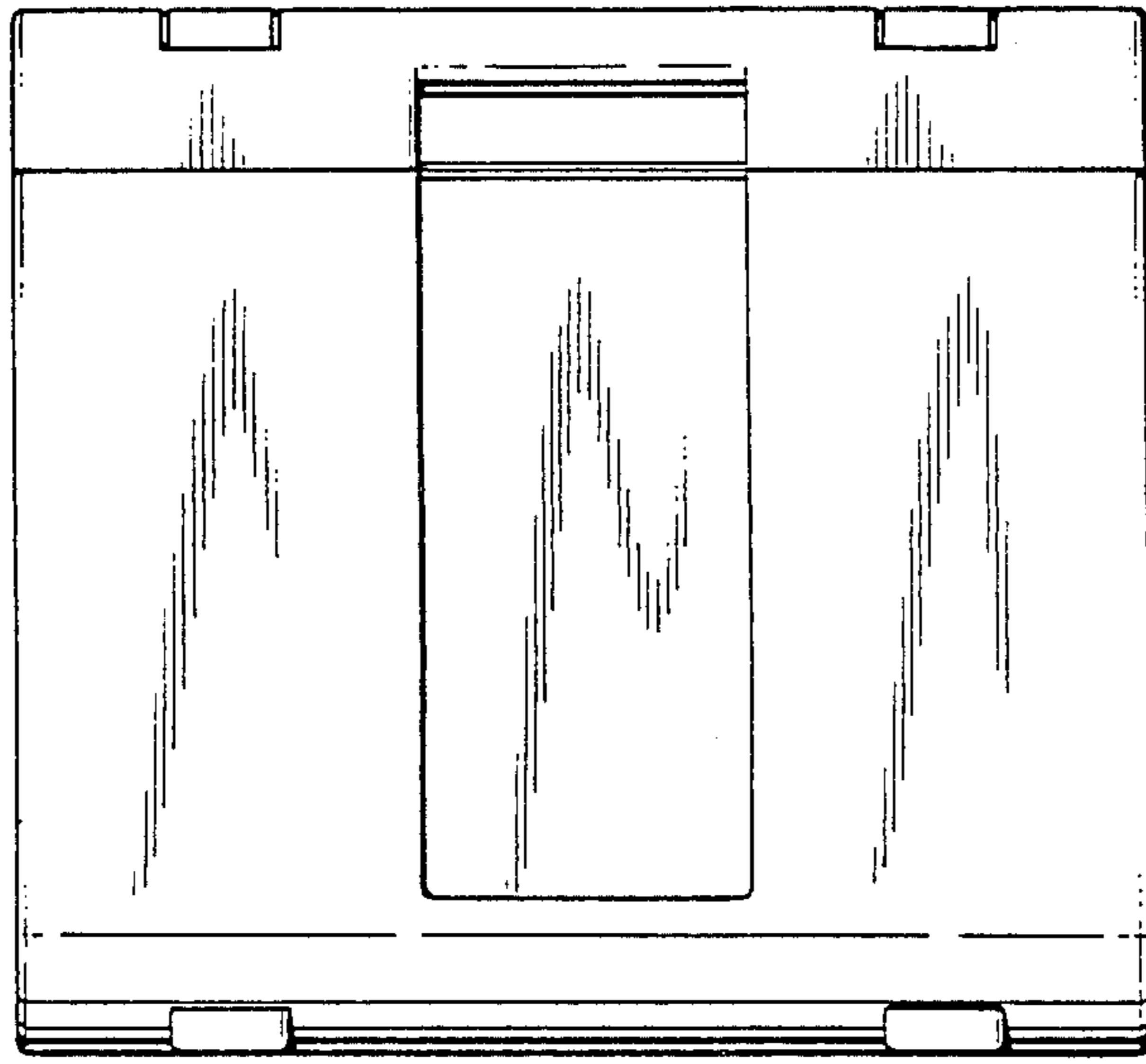


FIG. 3

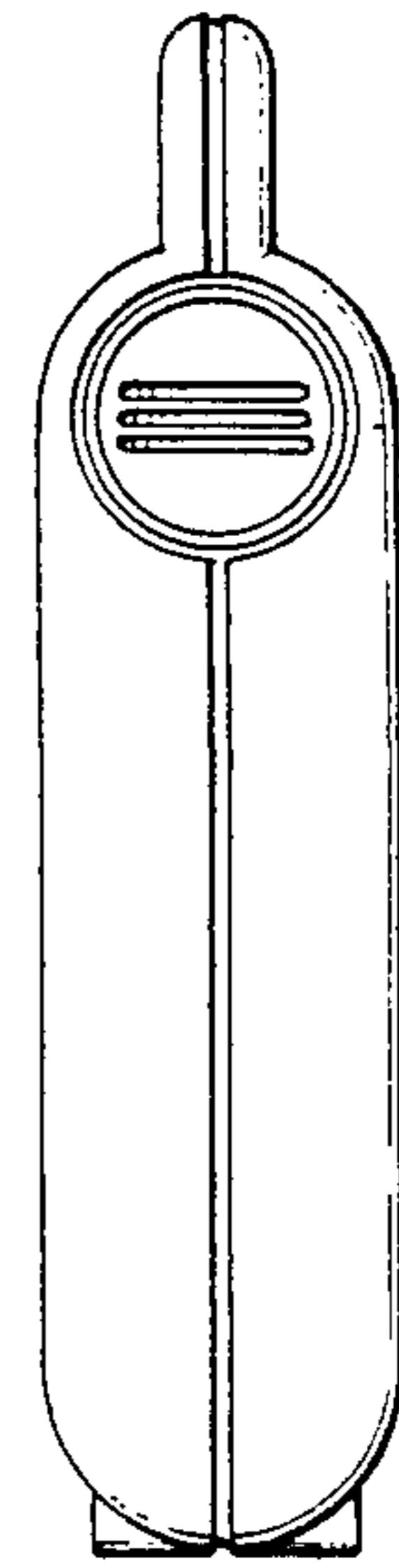


FIG. 4

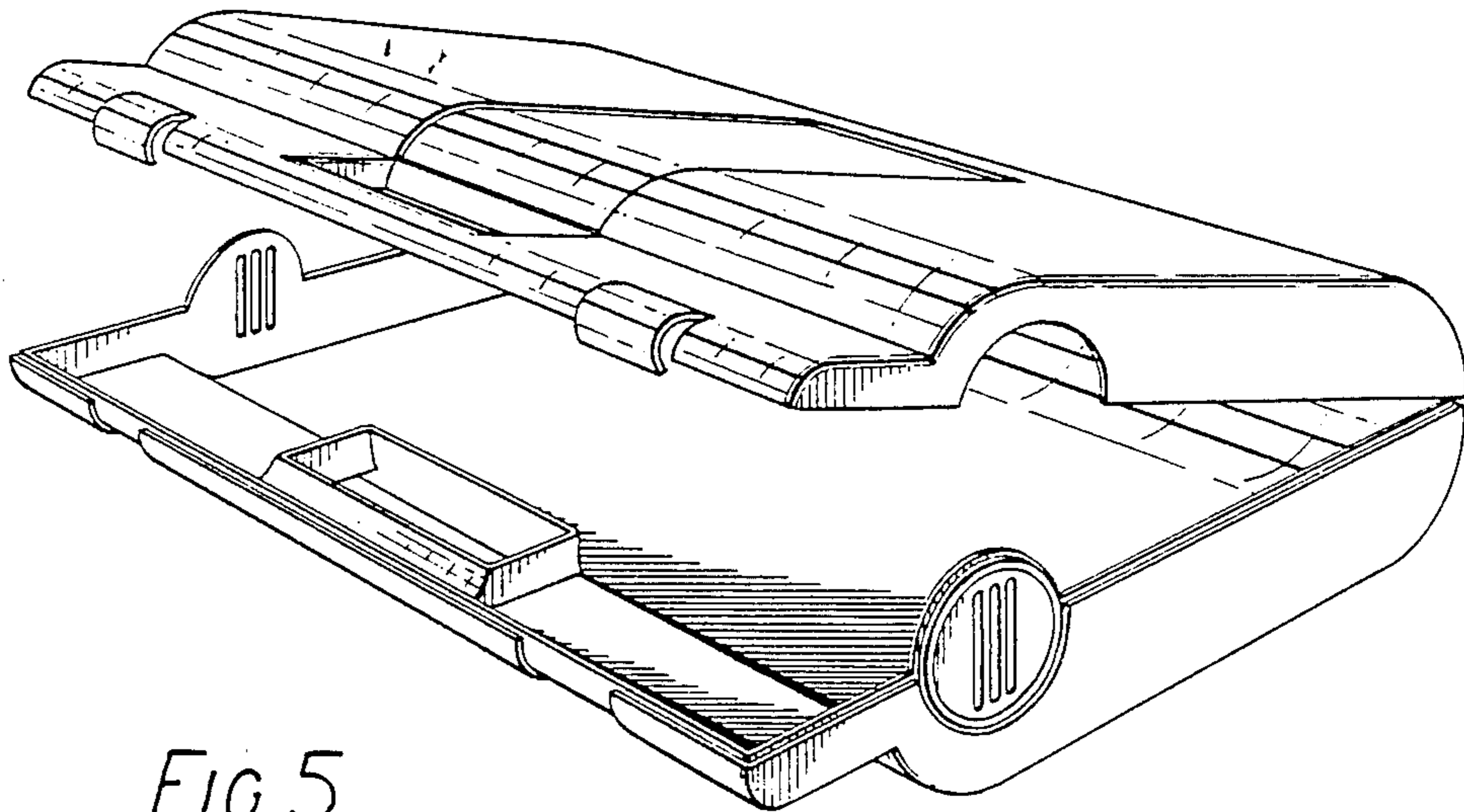


FIG. 5