

[54] YARN ORGANIZER

[76] Inventor: Randall Beaty, P.O. Box 8426,
Jackson, Miss. 39204

[**] Term: 14 Years

[21] Appl. No.: 679,995

[22] Filed: Dec. 10, 1984

[52] U.S. Cl. D3/23

[58] Field of Search D3/23, 18, 20, 30.1,
D3/39, 78; 223/107, 108; D9/432, 335, 336,
400, 413, 418

[56] References Cited

U.S. PATENT DOCUMENTS

- D. 202,160 8/1965 Territo D3/39
- D. 245,579 8/1895 Lowrey D9/413
- D. 880,068 10/1932 Bergaud D9/336

OTHER PUBLICATIONS

Sew Business, 2/76, p. 68, floral sewing box, bottom left corner.
Sew Business, 1/76, p. 36, sewing box, top, middle of page.

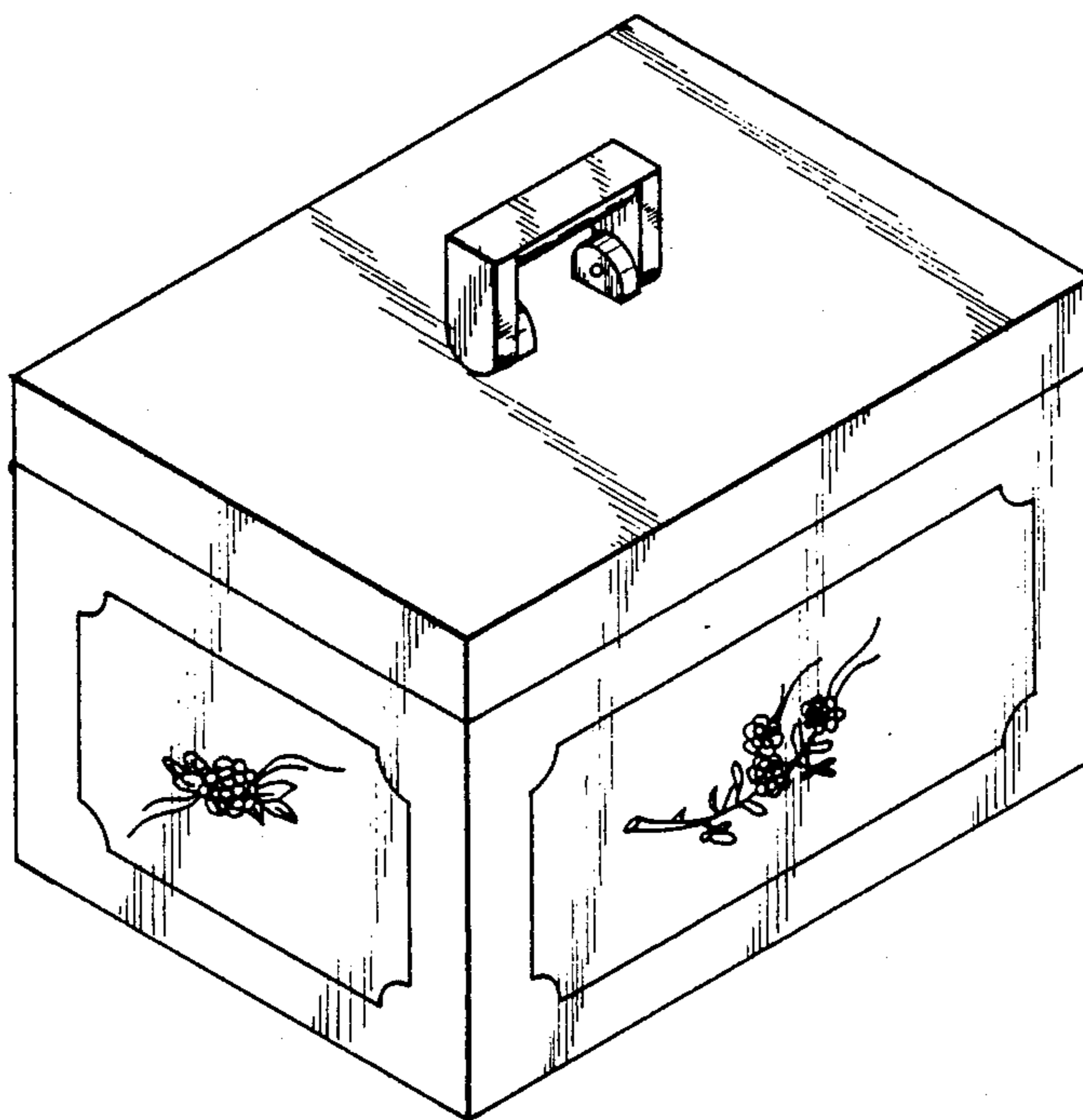
Primary Examiner—Bernard Ansher
Assistant Examiner—Terry Pfeffer
Attorney, Agent, or Firm—Gilden & Israel

[57] CLAIM

The ornamental design for yarn organizer, as shown and described.

DESCRIPTION

FIG. 1 is a perspective view of a yarn organizer showing my new design;
FIG. 2 is a right side elevational view thereof;
FIG. 3 is a rear elevational view thereof;
FIG. 4 is a perspective view thereof with the container open;
FIG. 5 is a right side elevational view of one compartment thereof shown separately for clarity of illustration, the opposite side being a mirror image;
FIG. 6 is a top plan view of the compartment;
FIG. 7 is a bottom plan view of the compartment;
FIG. 8 is a top plan view thereof;
FIG. 9 is a bottom plan view thereof;
FIG. 10 is a left side elevational view thereof; and,
FIG. 11 is a perspective view of the compartment.



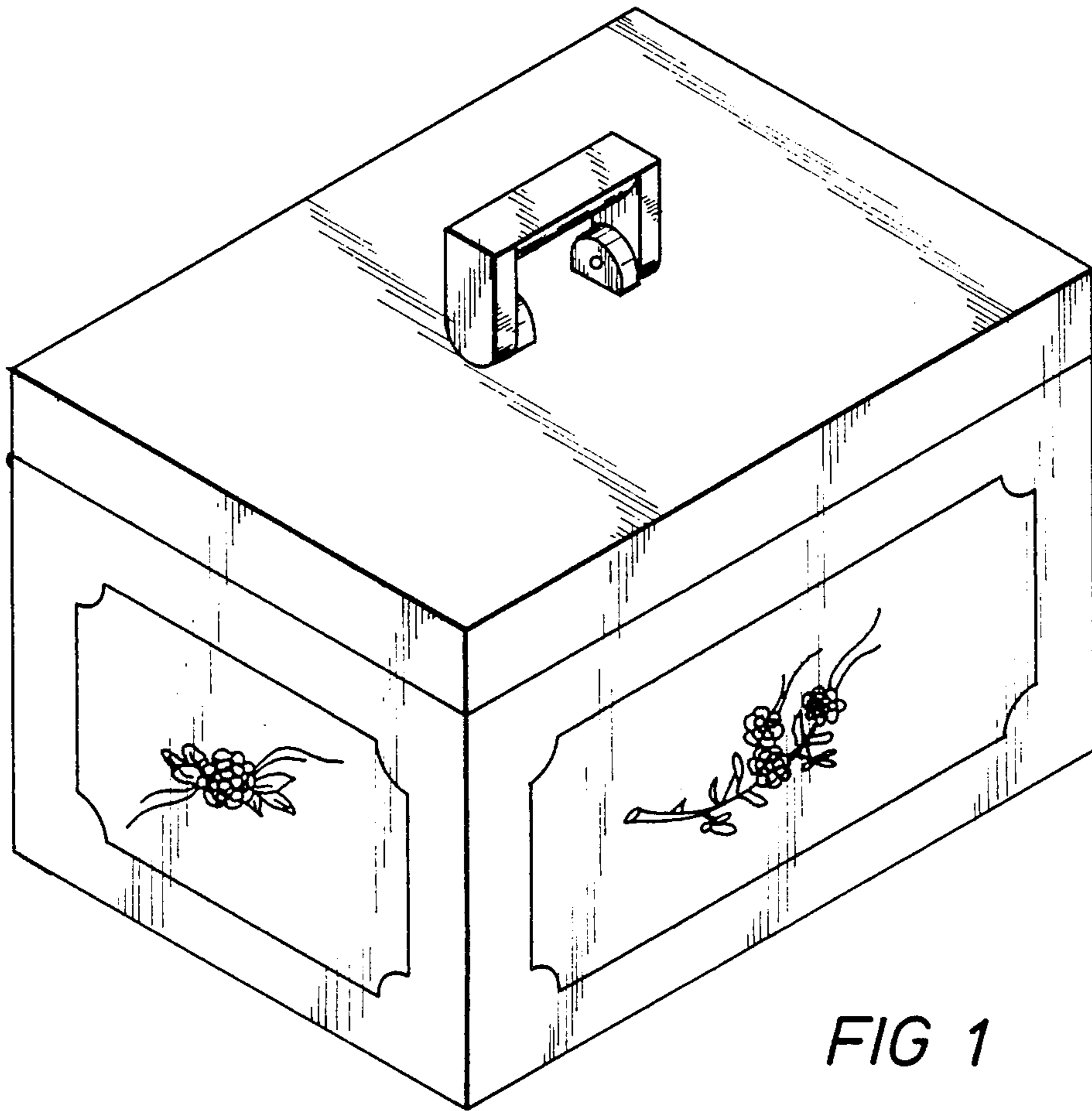


FIG 1

FIG 2

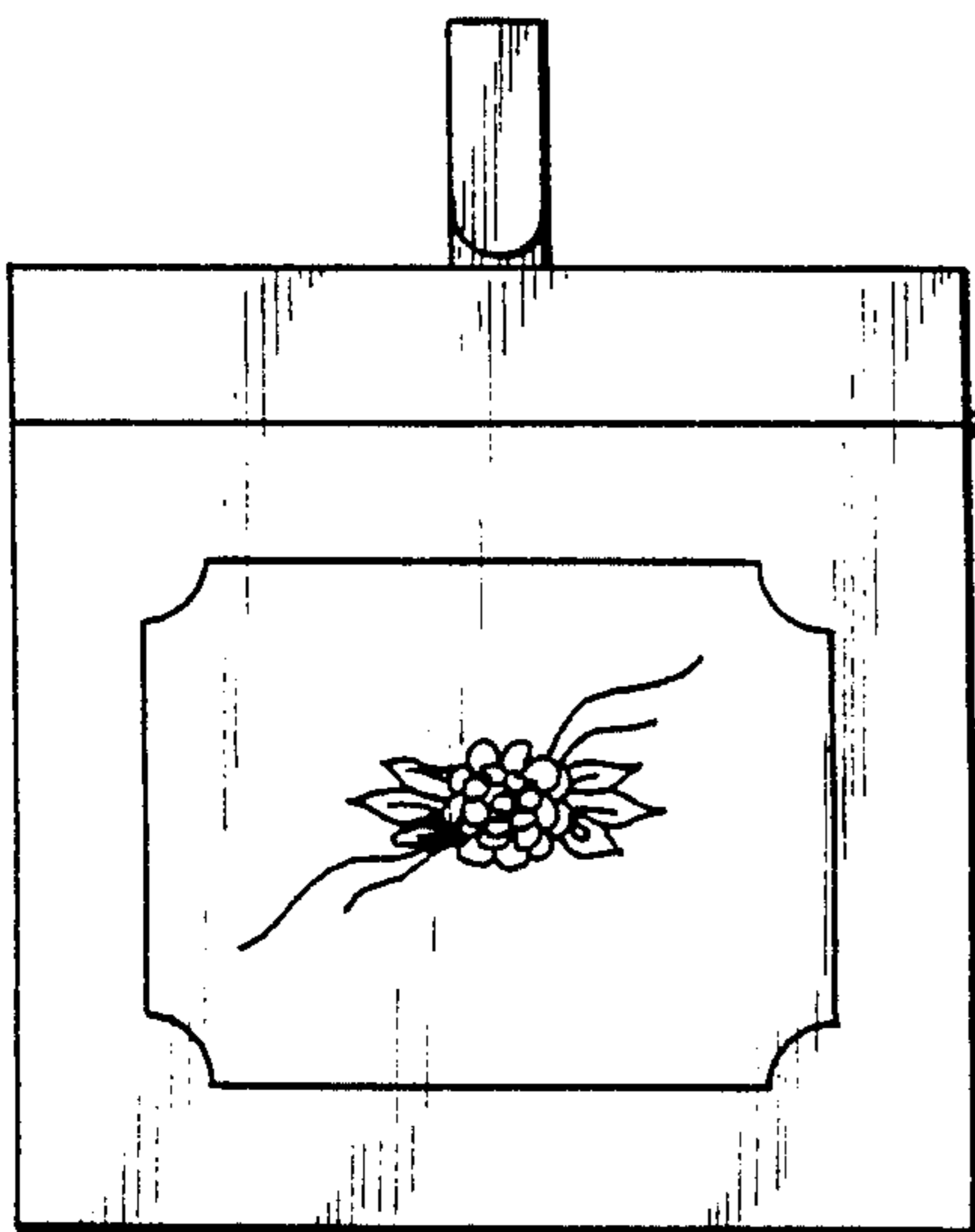


FIG 3

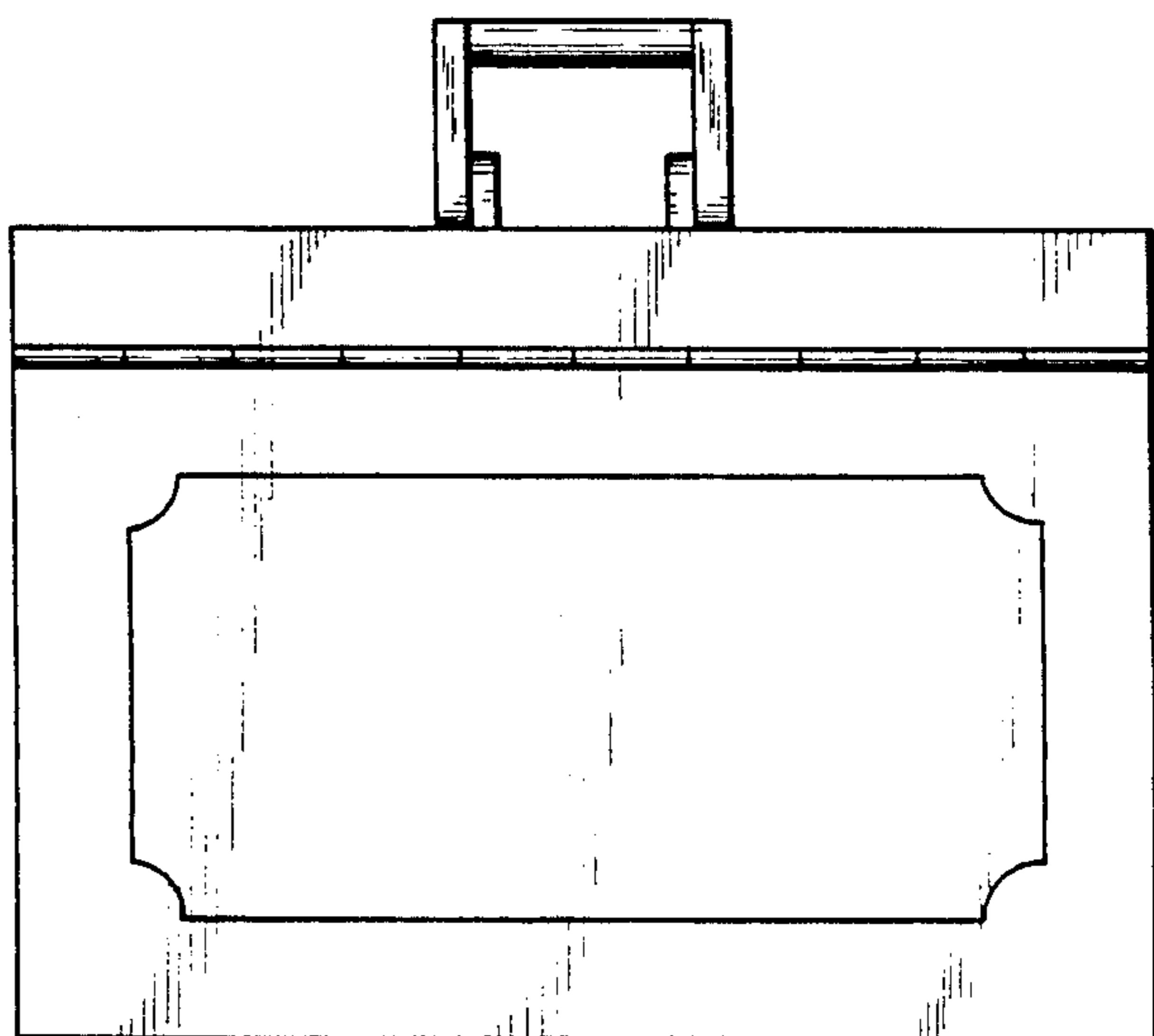


FIG 4

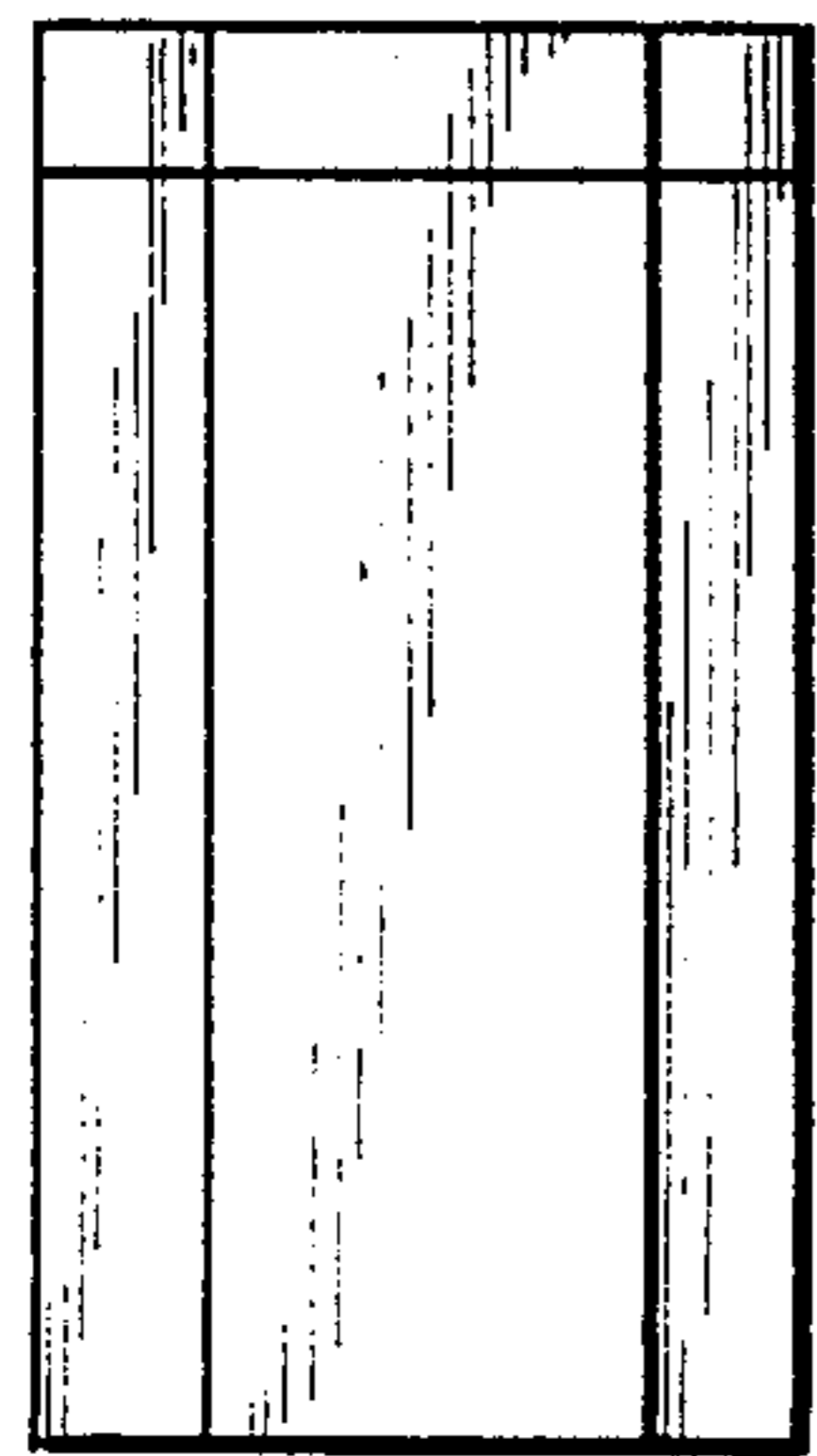
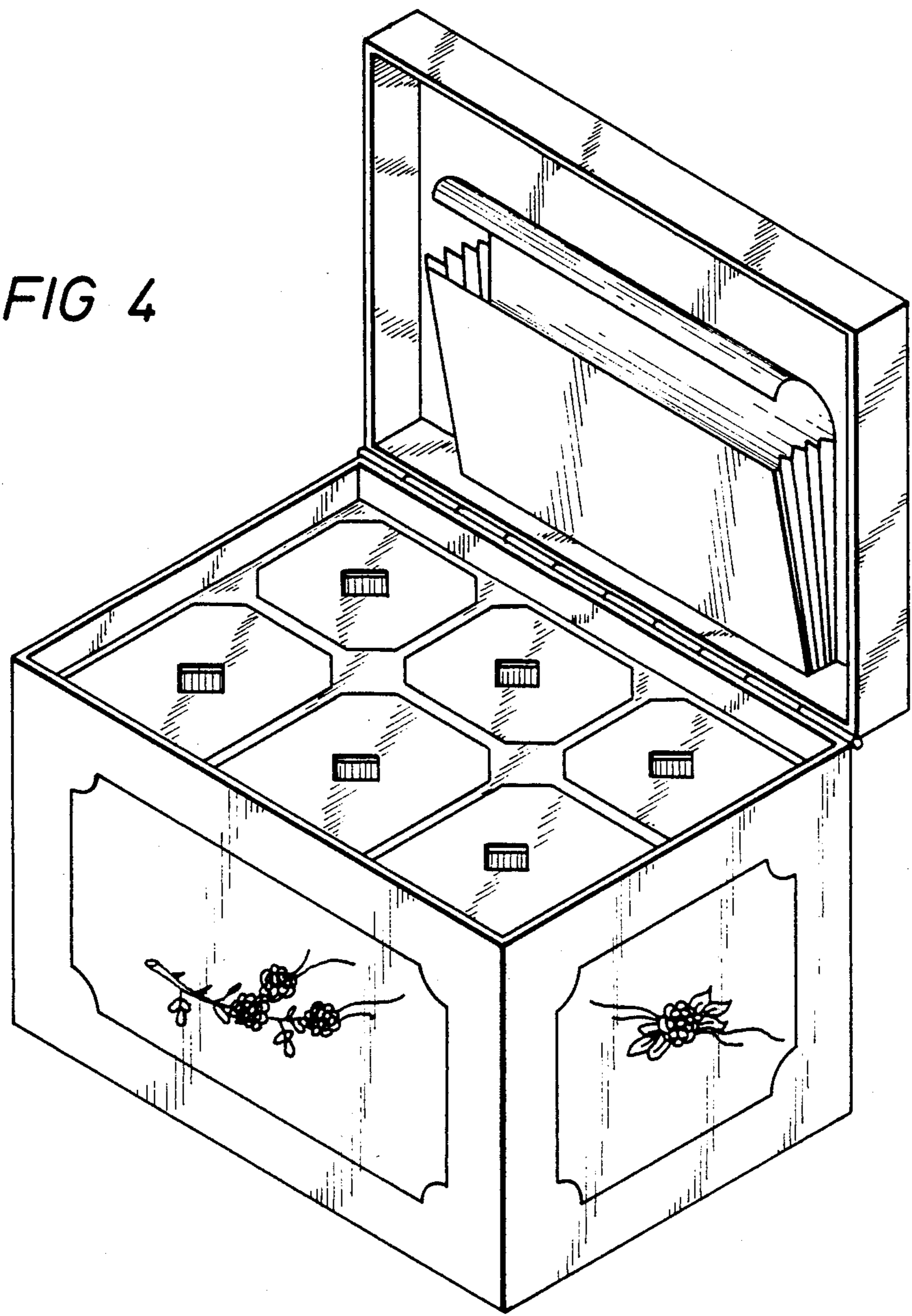


FIG 5

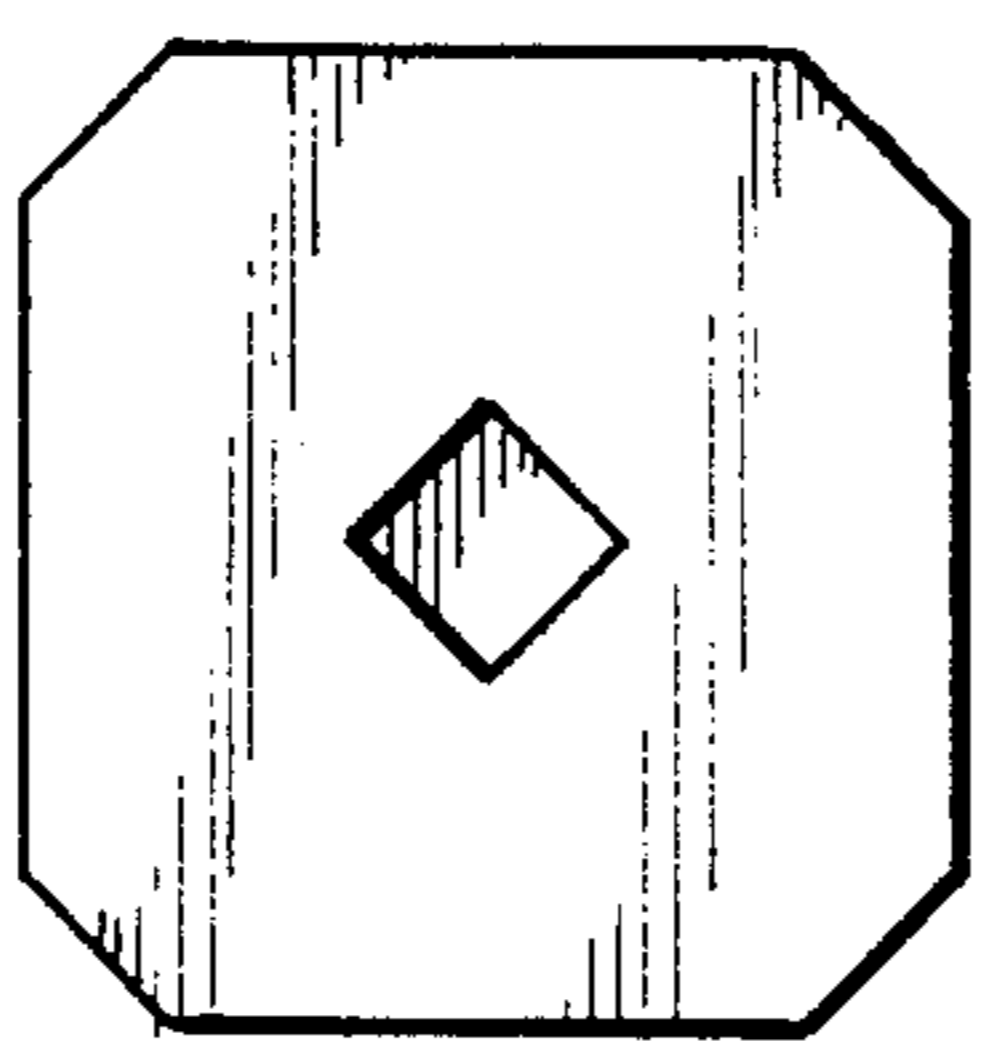


FIG 6

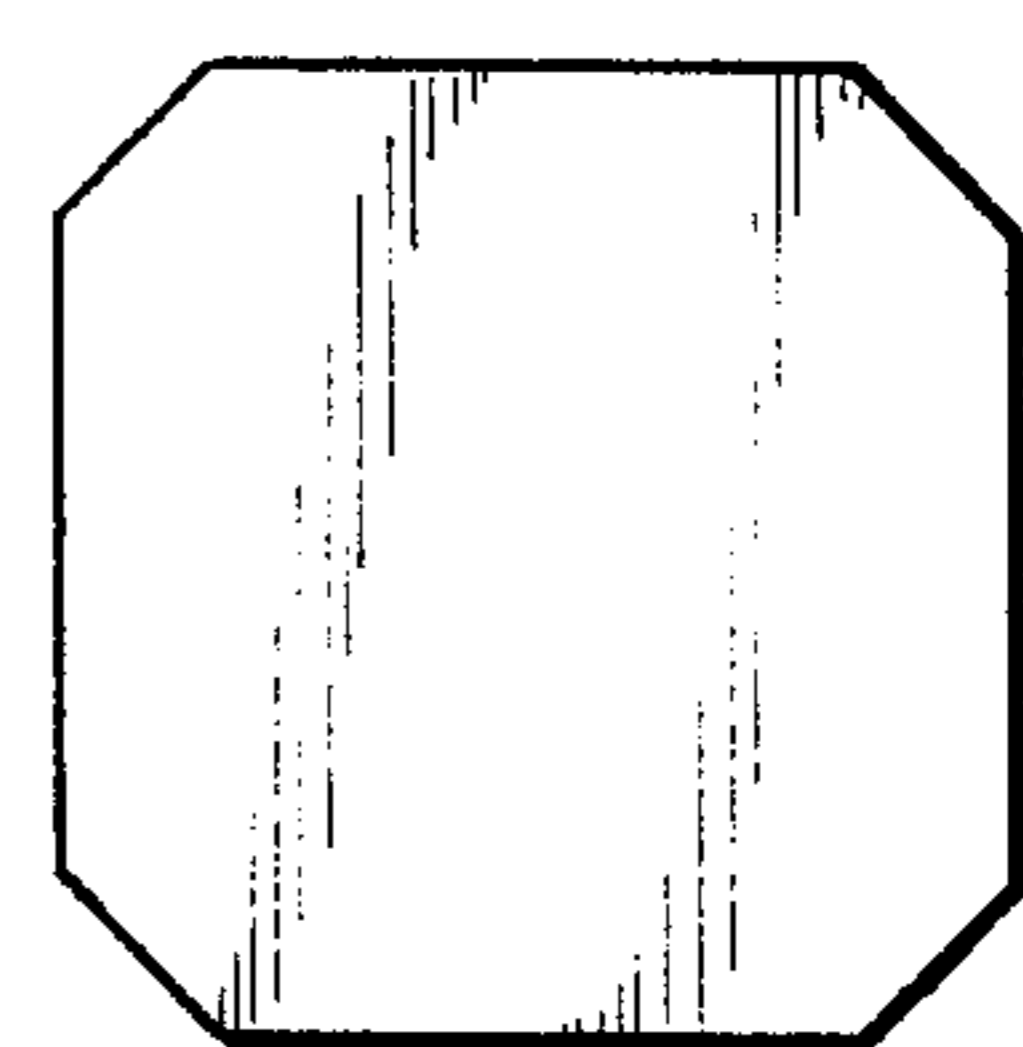


FIG 7

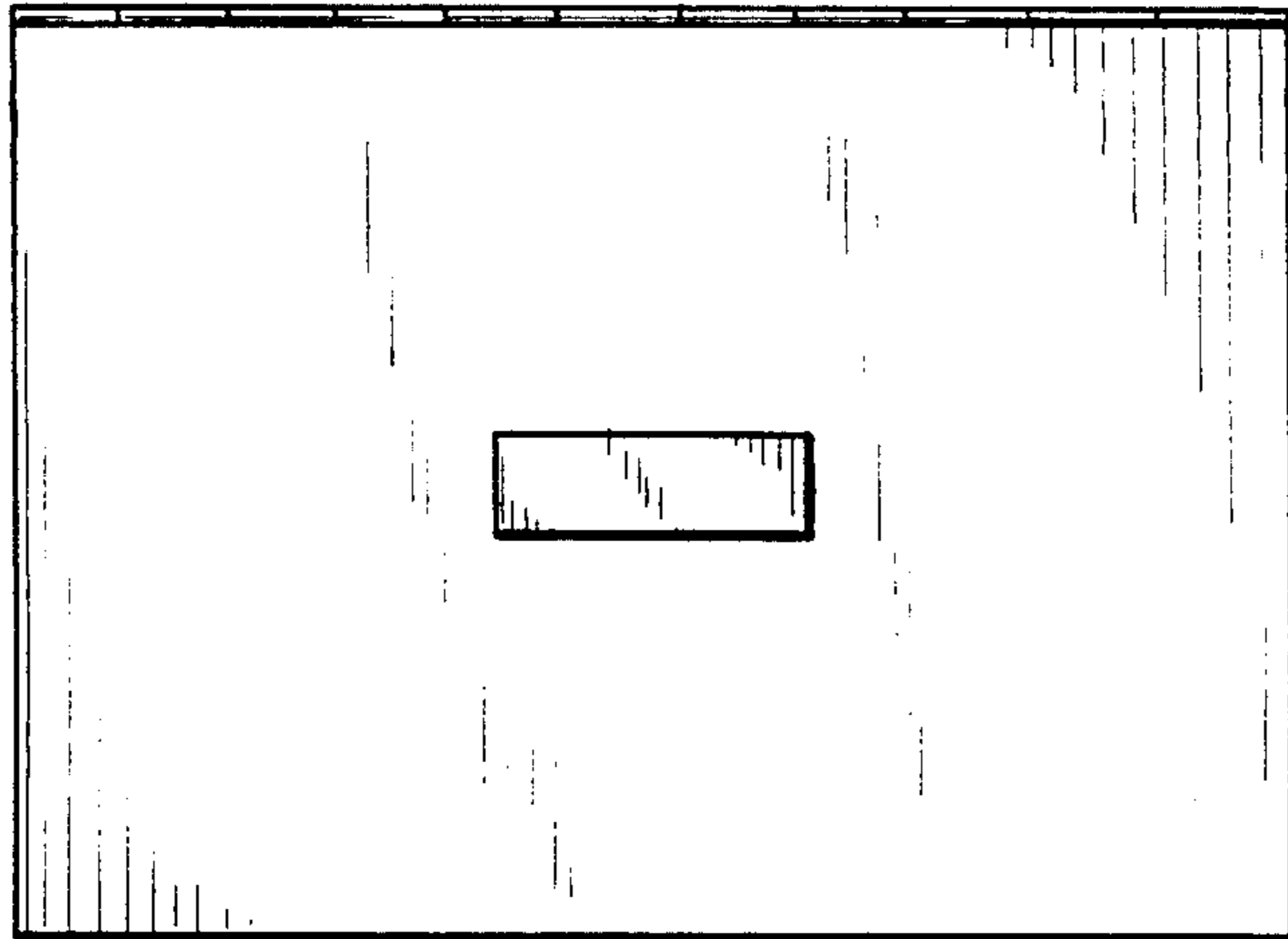


FIG 8

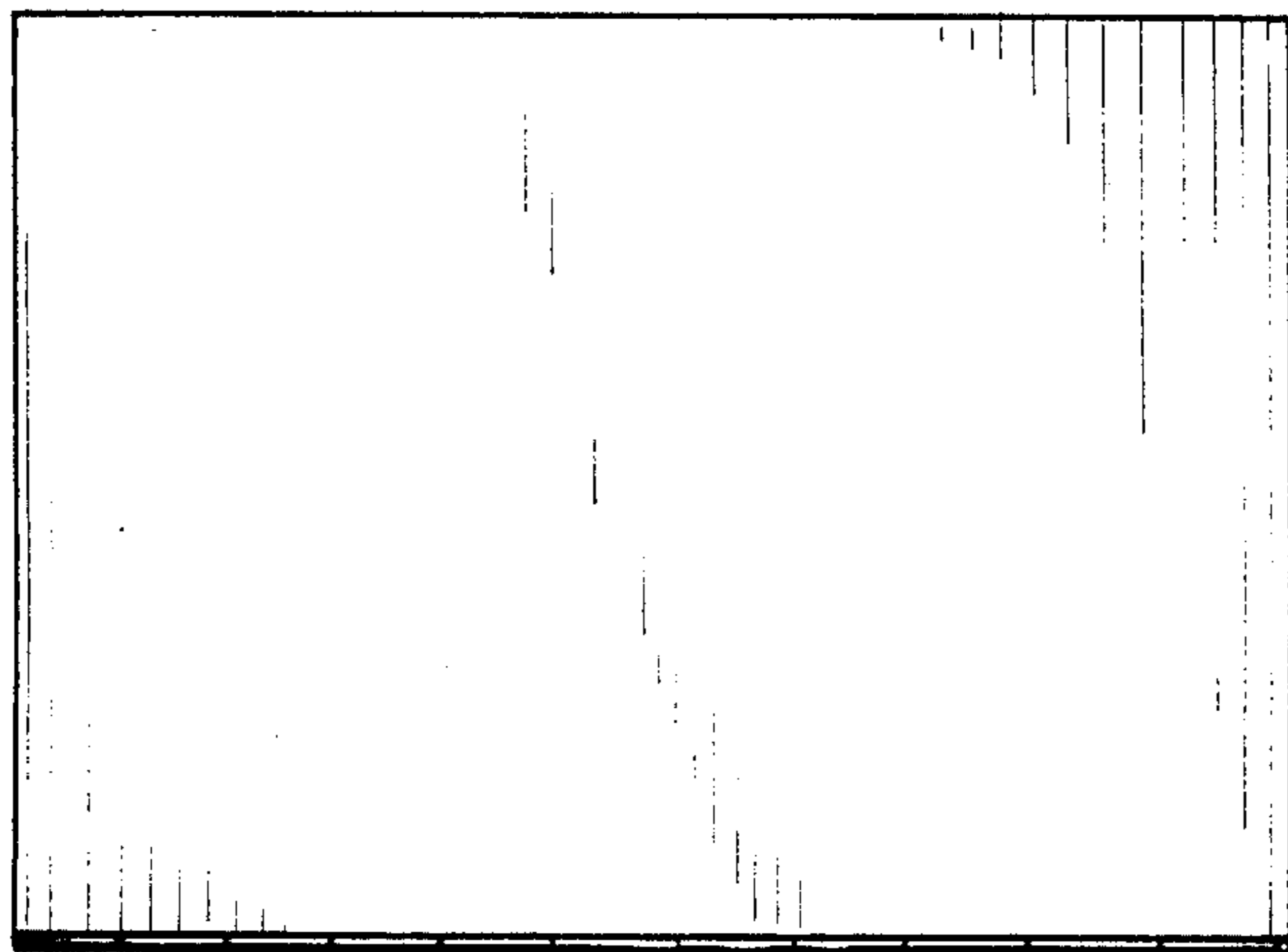


FIG 9

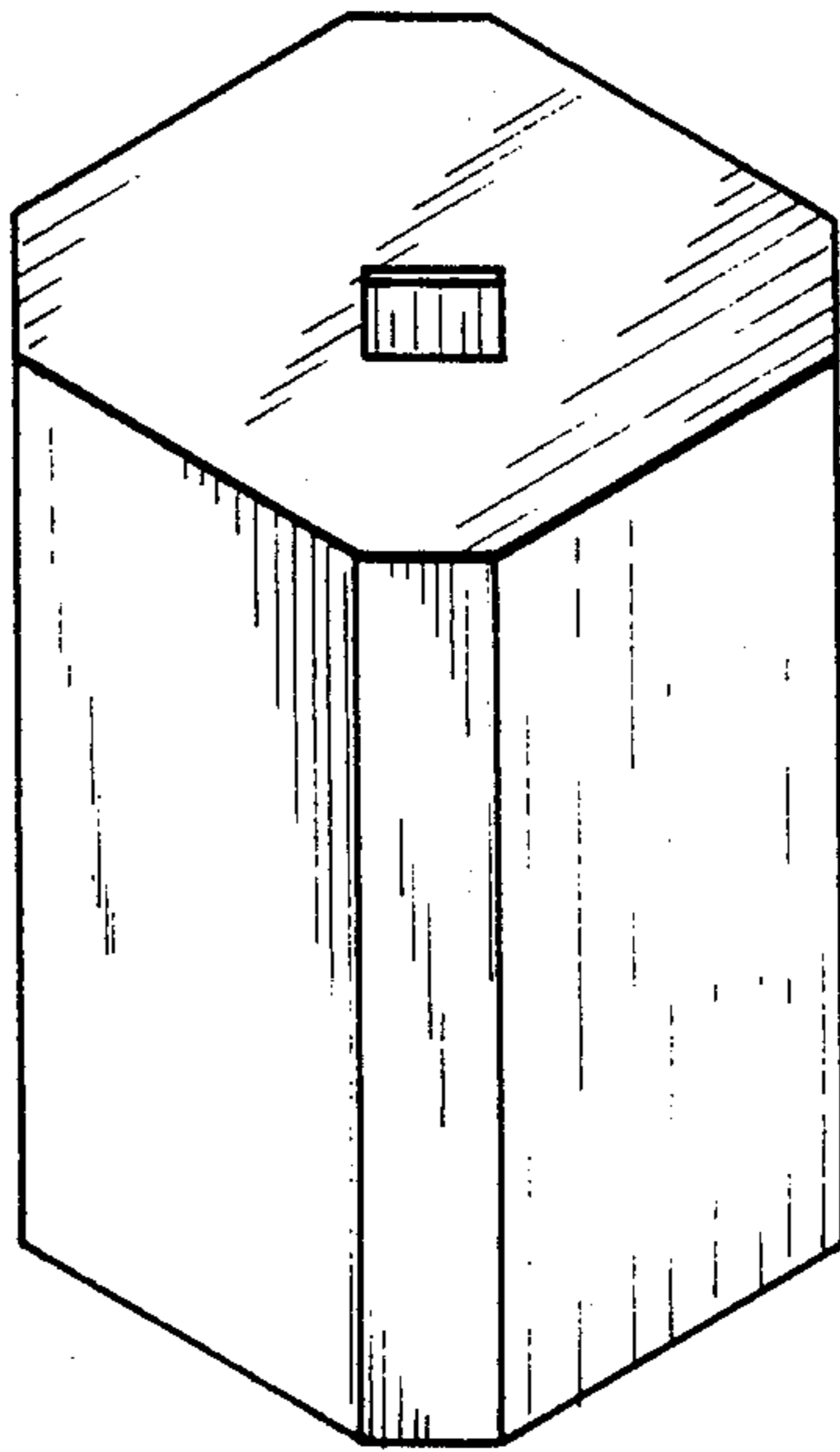


FIG 11

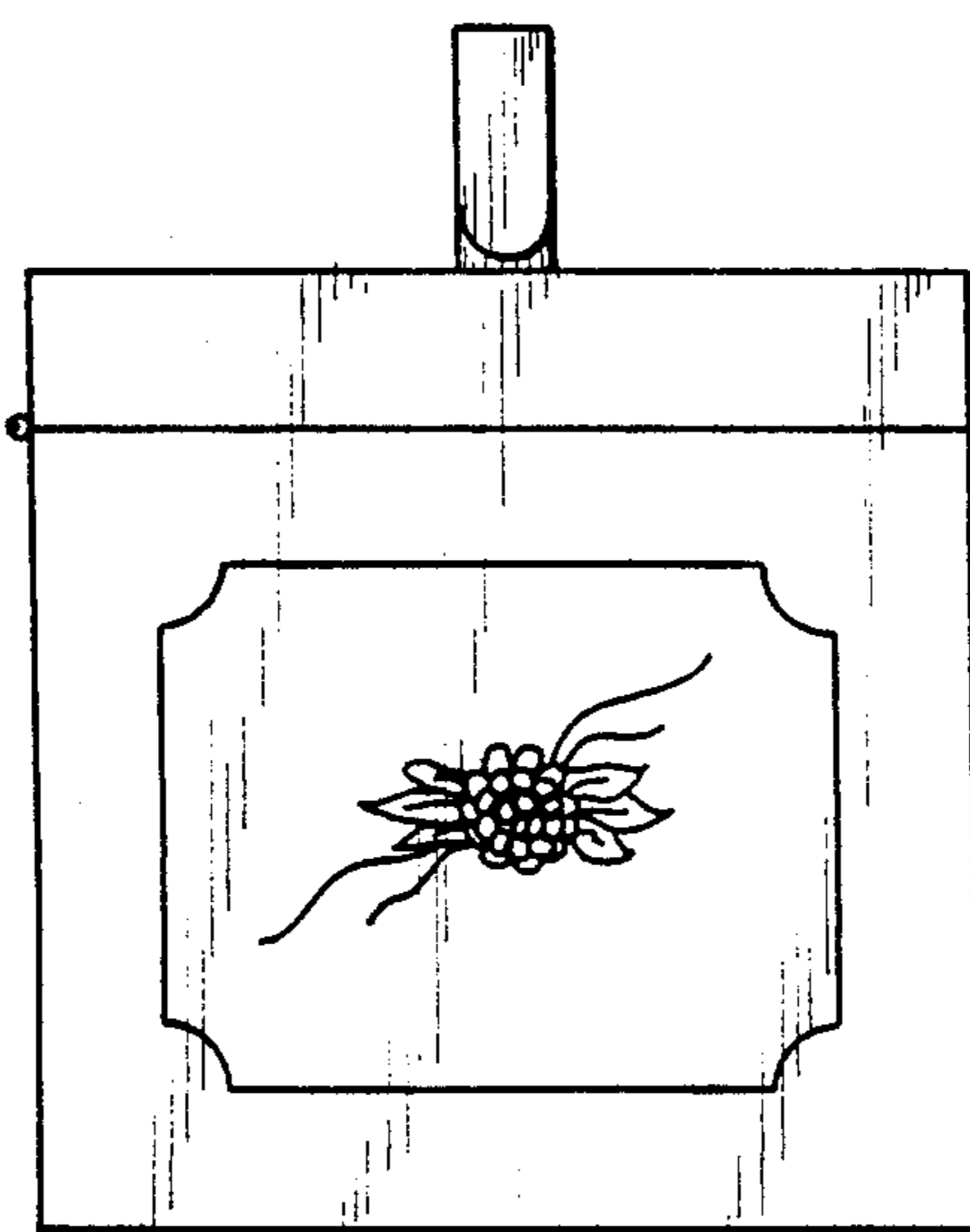


FIG 10