

- [54] EMERGENCY UMBRELLA
- [75] Inventor: Blair F. Baldwin, New York, N.Y.
- [73] Assignee: Bexel Corporation, New York, N.Y.
- [**] Term: 14 Years
- [21] Appl. No.: 750,922
- [22] Filed: Jul. 1, 1985
- [52] U.S. Cl. D3/5
- [58] Field of Search D3/5, 6, 10-17;
135/16, 17, 20 R, 20 A, 106, 87, 98, 99, 114, 115

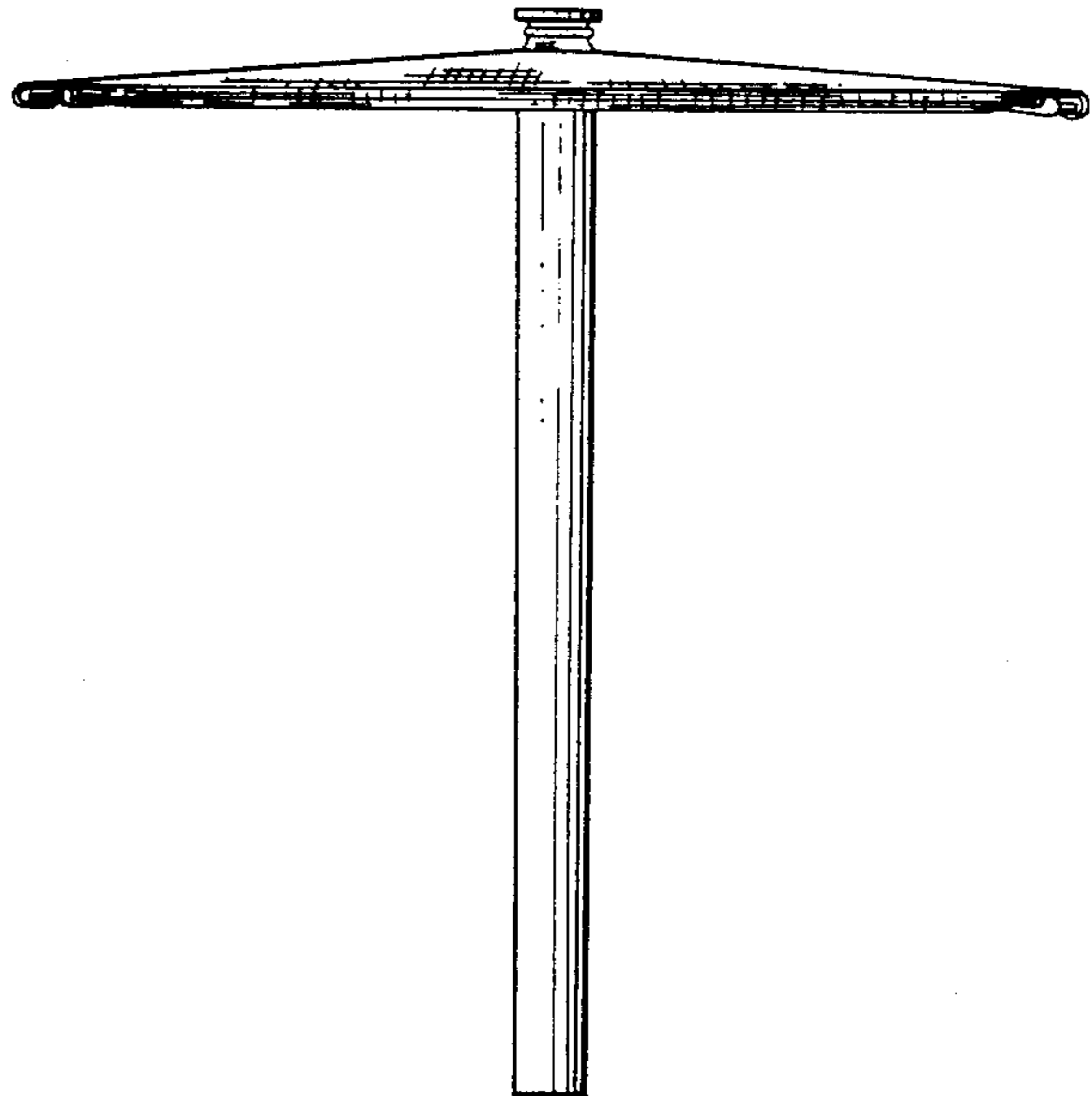
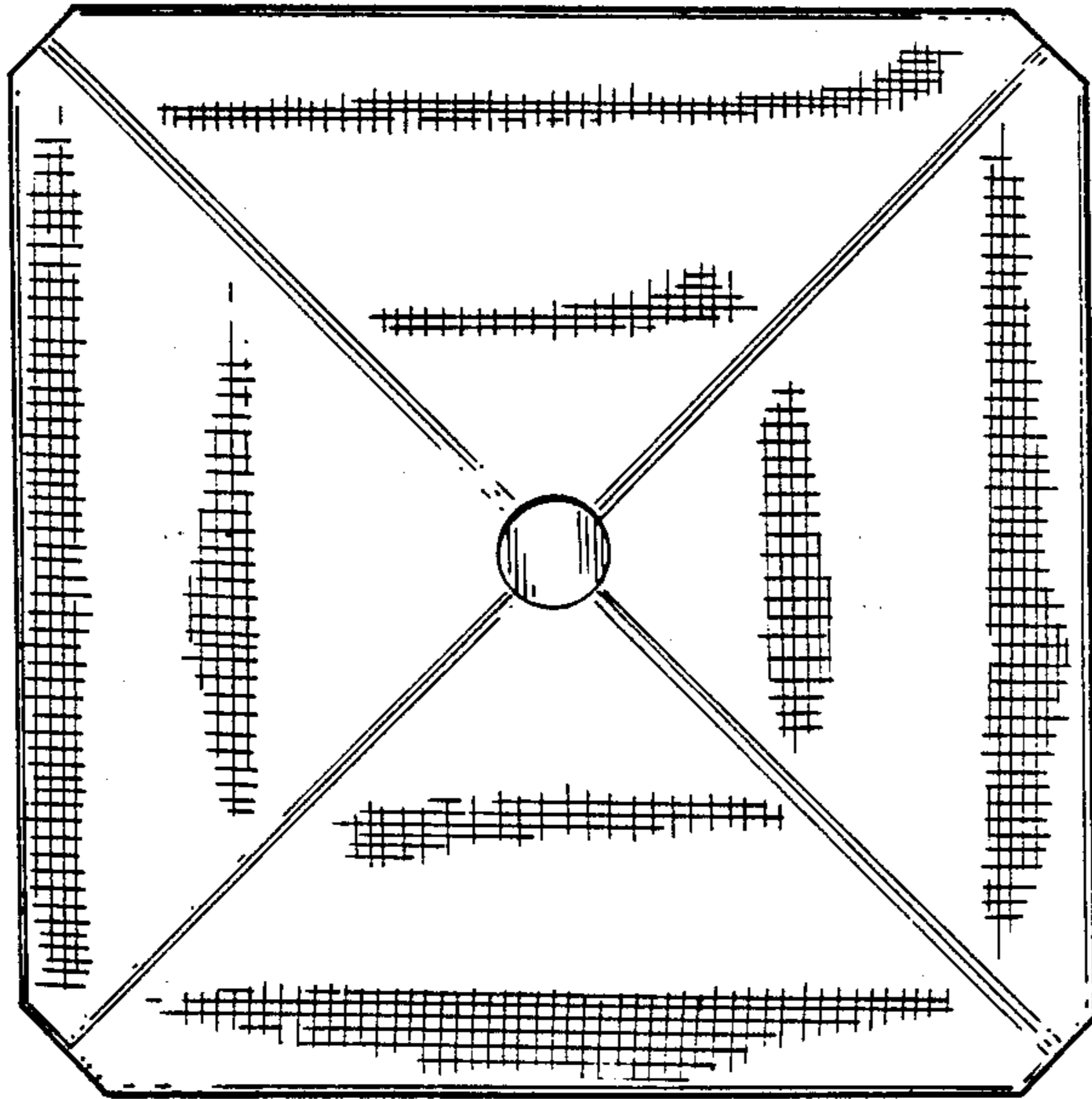
- 1,666,692 4/1928 Epstein 135/20 R
- 2,015,321 9/1935 Shelton 135/98
- 2,266,684 12/1941 Brown 135/20 R

Primary Examiner—Louis S. Zarfes
Assistant Examiner—Terry Pfeffer
Attorney, Agent, or Firm—Burgess, Ryan and Wayne

- [56] **References Cited**
U.S. PATENT DOCUMENTS
 172,380 1/1876 Bockstaller 135/20 R

[57] **CLAIM**
 The ornamental design for emergency umbrella, substantially as shown and described.

DESCRIPTION
 FIG. 1 is a perspective view showing the emergency umbrella in an opened position;
 FIG. 2 is a top plan view thereof;
 FIG. 3 is a bottom plan view thereof; and
 FIG. 4 is a side elevation view thereof.



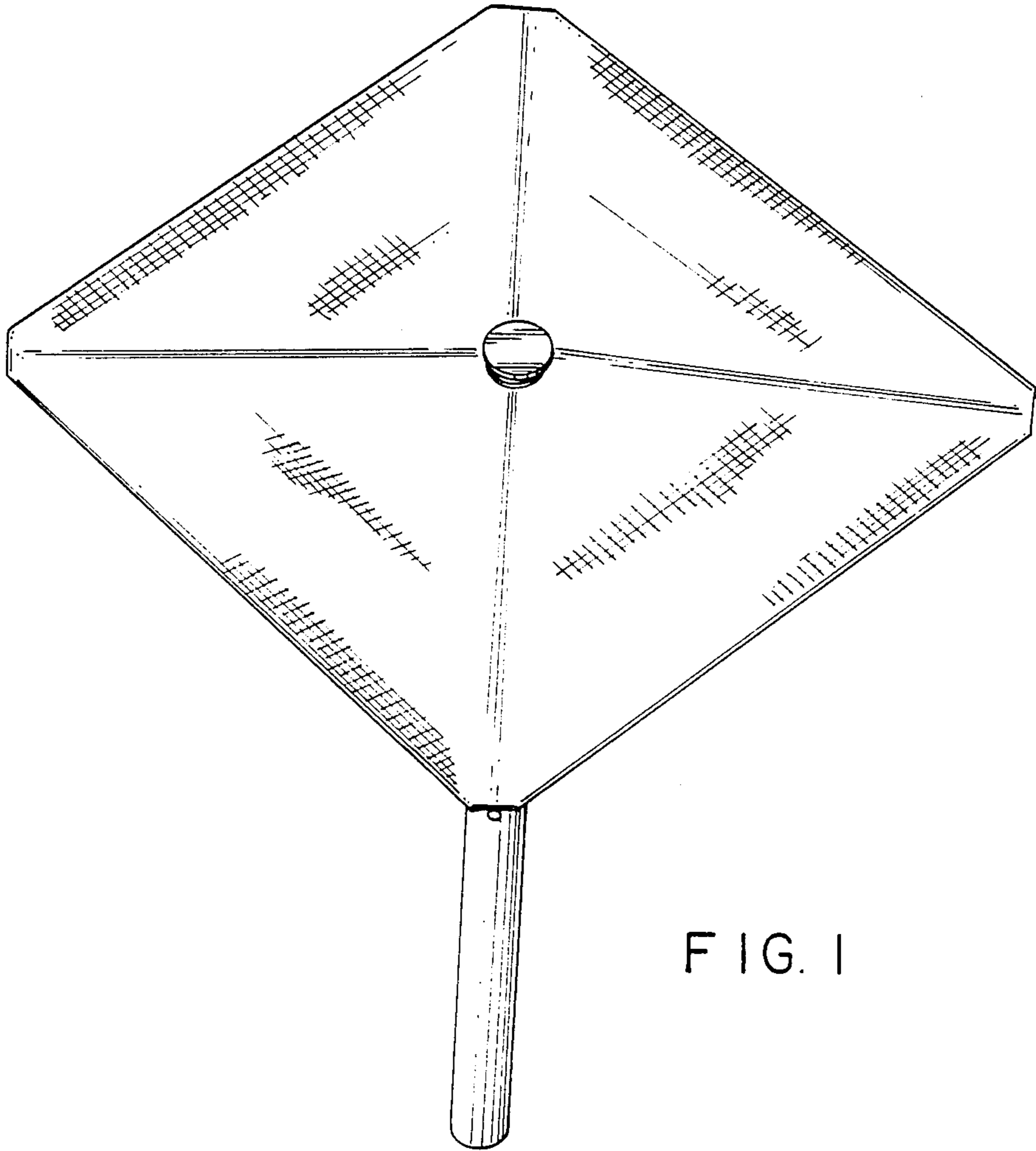


FIG. 1

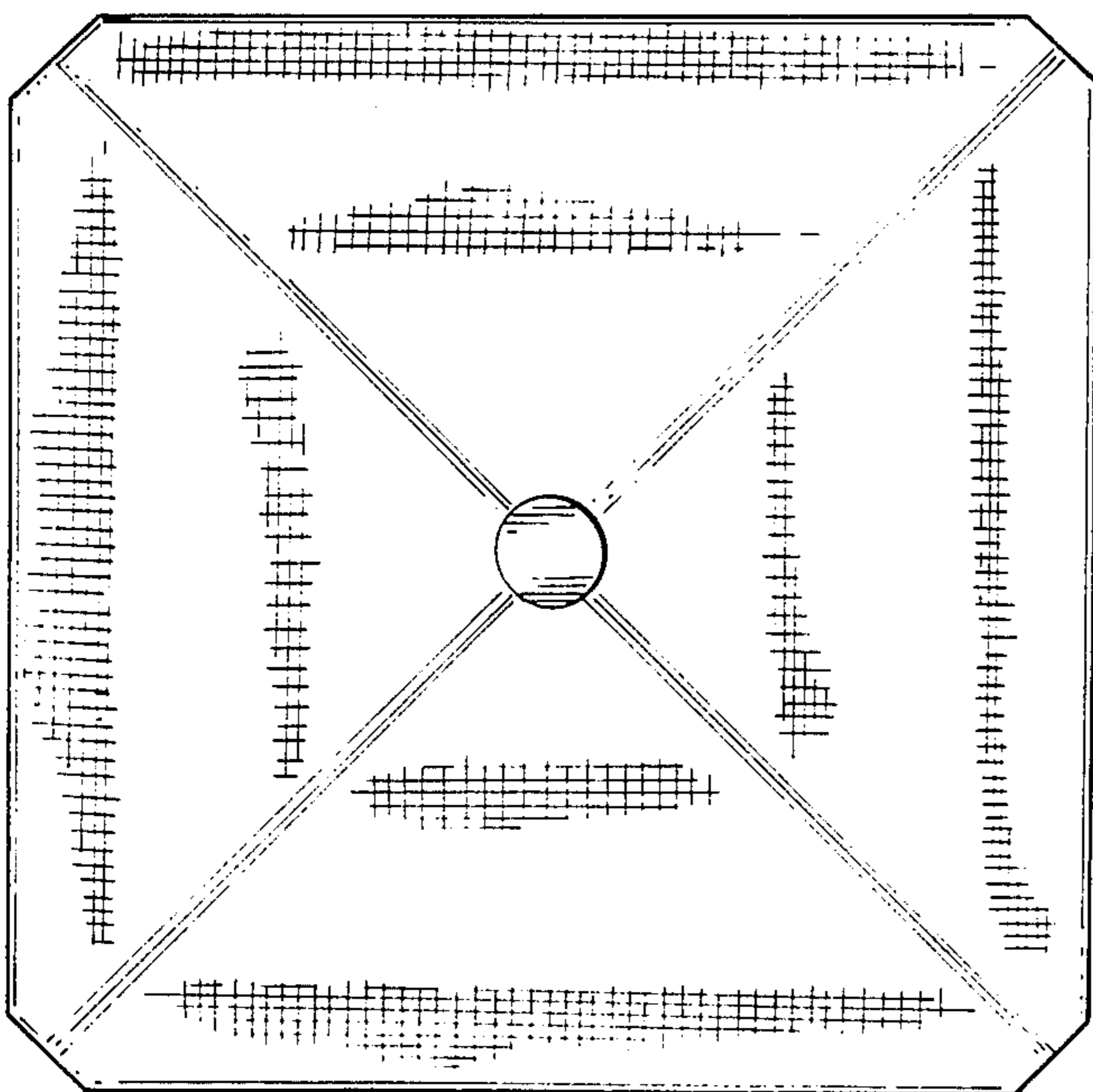


FIG. 2

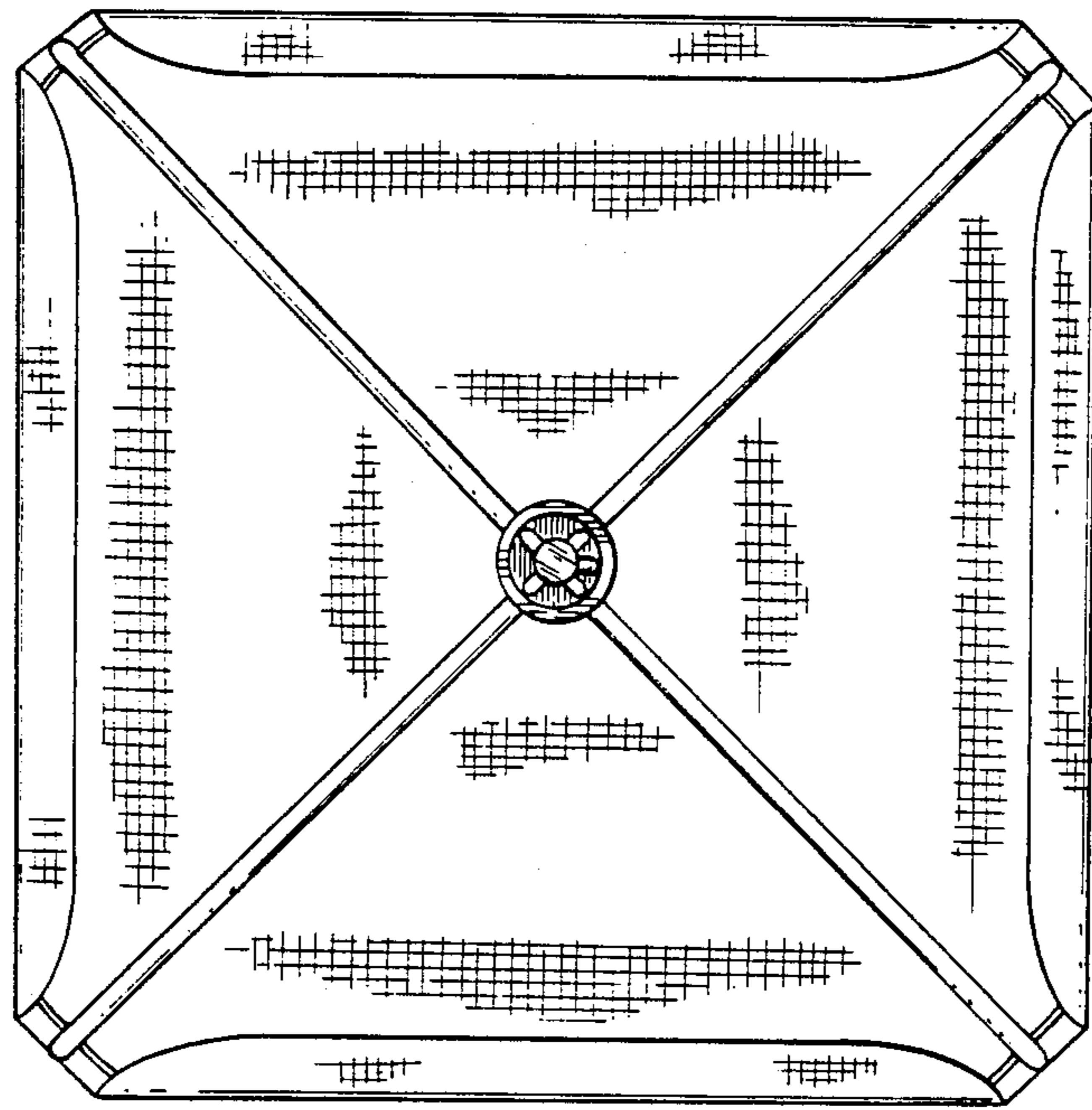


FIG. 3

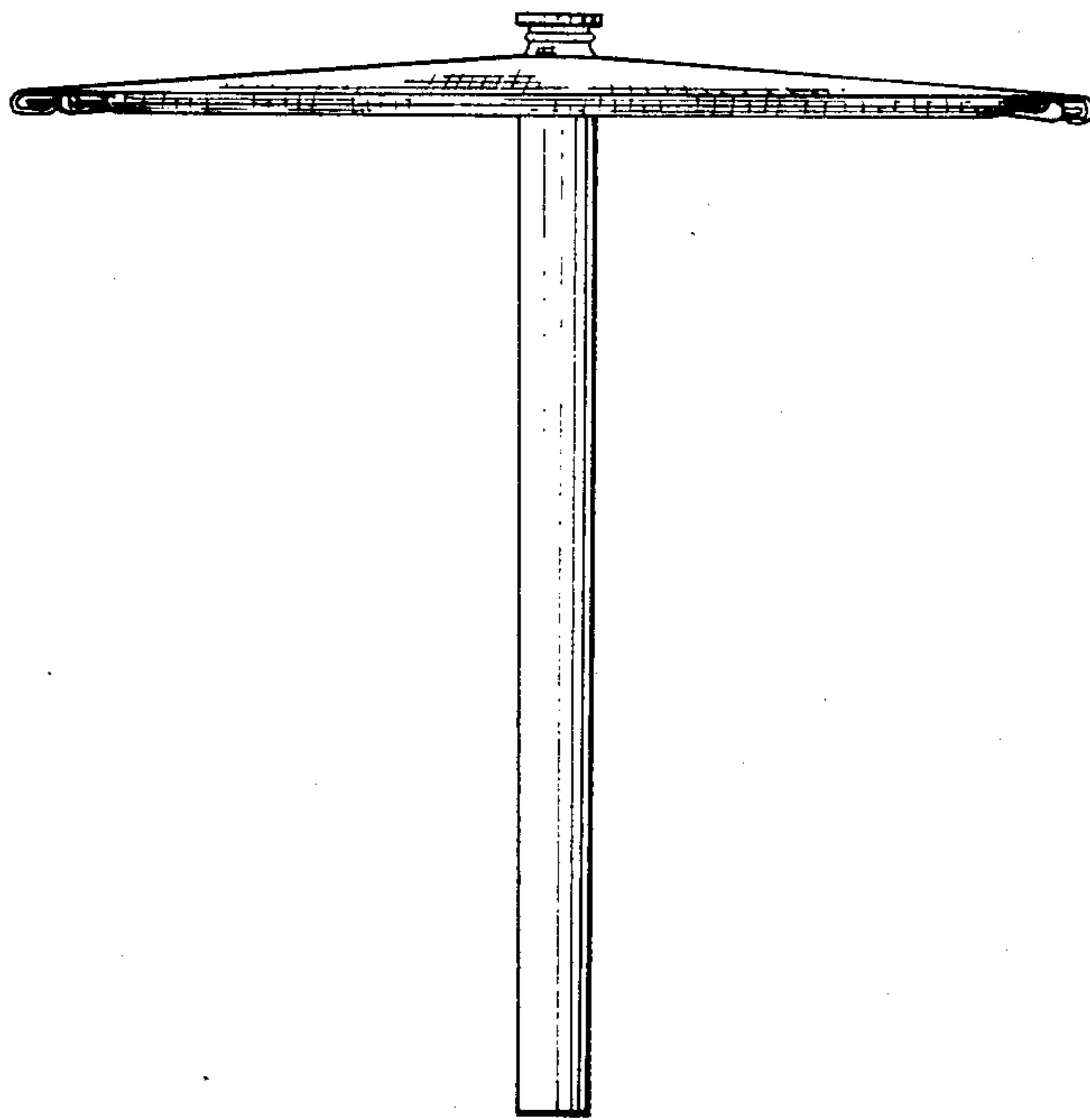


FIG. 4