

[54] IRON
 [75] Inventor: Bing Y. Chan, Kowloon, Hong Kong
 [73] Assignee: Better Electrical Products Factory Limited, Cheung Sha Wan, Hong Kong
 [**] Term: 14 Years
 [21] Appl. No.: 768,250
 [22] Filed: Aug. 22, 1985

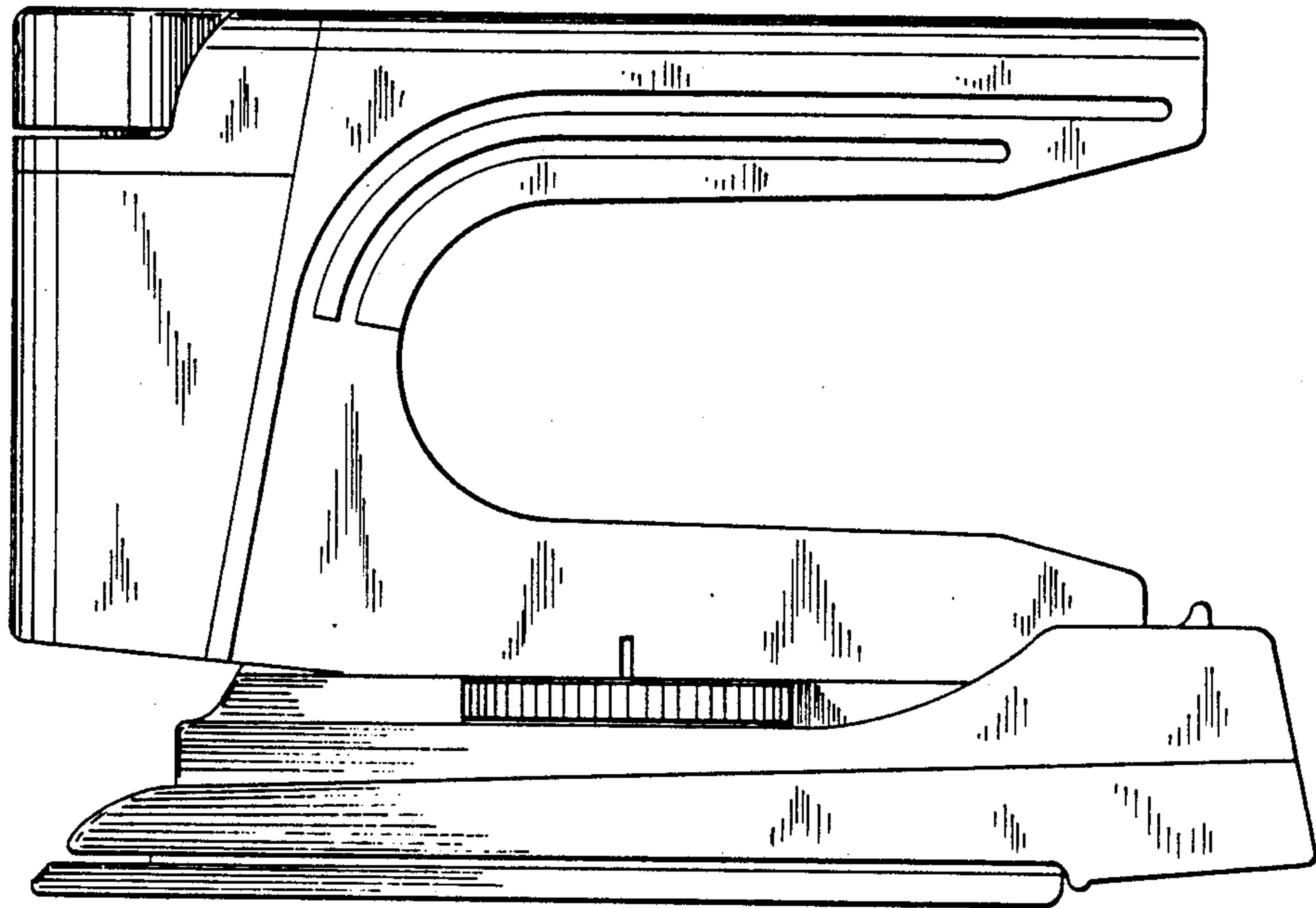
[30] Foreign Application Priority Data
 Feb. 27, 1985 [GB] United Kingdom 1,025,273
 [52] U.S. Cl. D32/70
 [58] Field of Search D32/68-73;
 38/77.1-77.9, 88, 94, 96, 142; 219/245-259,
 271-276

[56] References Cited
 U.S. PATENT DOCUMENTS
 D. 276,473 11/1984 Ogawa et al. D32/70
 D. 279,416 6/1985 Chan D32/69
 D. 284,899 7/1986 Chan D32/69
 D. 285,738 9/1986 Ogawa et al. D32/70
 D. 286,214 10/1986 Chan D32/69
 4,578,884 4/1986 Nakso 38/77.3

Primary Examiner—Catherine E. Kemper
 Attorney, Agent, or Firm—Spencer & Frank

[57] CLAIM
 The ornamental design for an iron, substantially as shown.

DESCRIPTION
 FIG. 1 is a side elevational view of an iron, showing my new design;
 FIG. 2 is a side elevational view thereof, shown with the handle in the storage position;
 FIG. 3 is a top plan view of the iron as shown in FIG. 1;
 FIG. 4 is a top plan view of the iron as shown in FIG. 2;
 FIG. 5 is a bottom plan view of the iron as shown in FIG. 1;
 FIG. 6 is a bottom plan view of the iron as shown in FIG. 2;
 FIG. 7 is a front elevational view of the iron as shown in FIG. 1;
 FIG. 8 is a front elevational view of the iron as shown in FIG. 2;
 FIG. 9 is a rear elevational view of the iron as shown in FIG. 1;
 FIG. 10 is a rear elevational view of the iron as shown in FIG. 2.



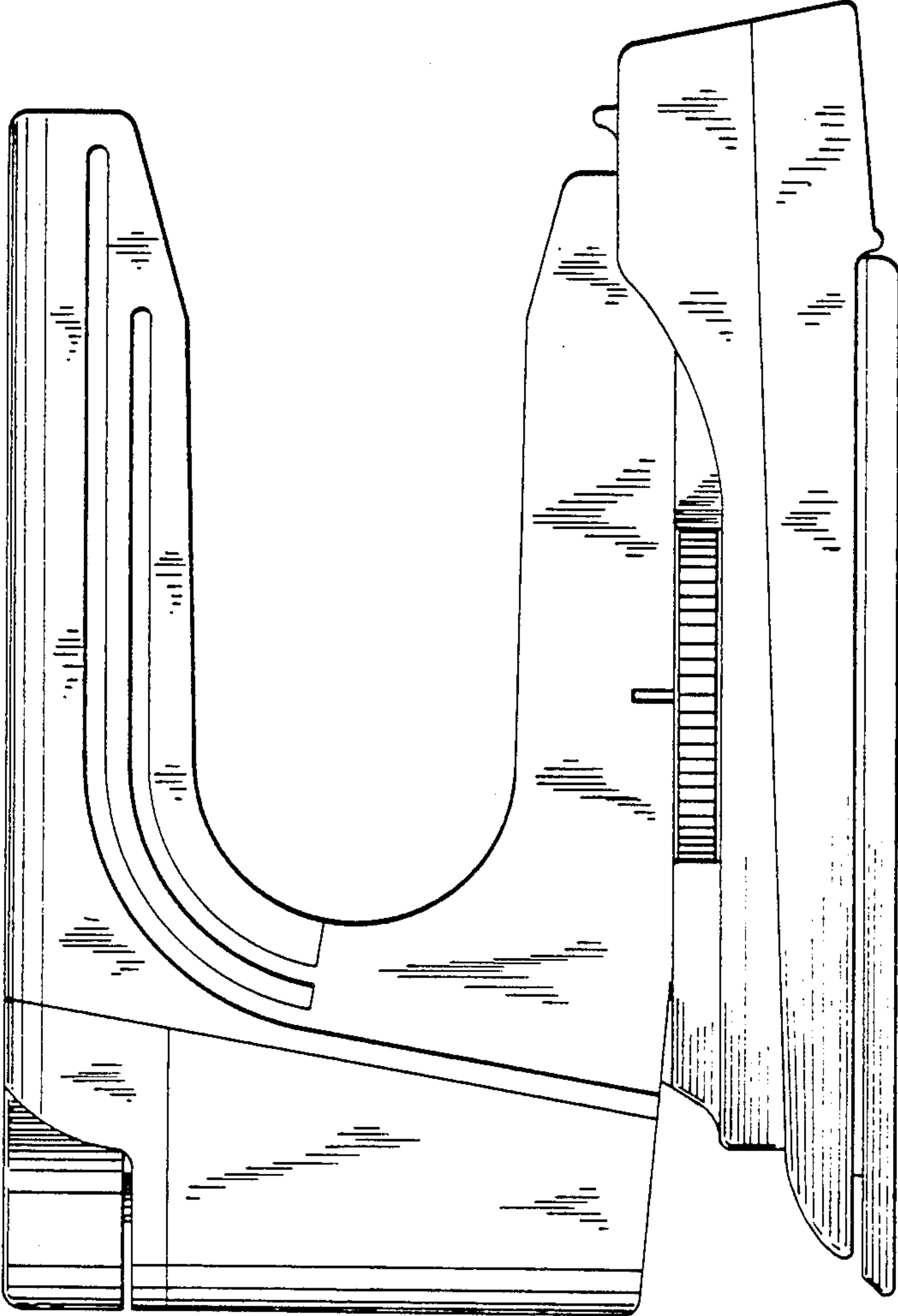


FIG. 1

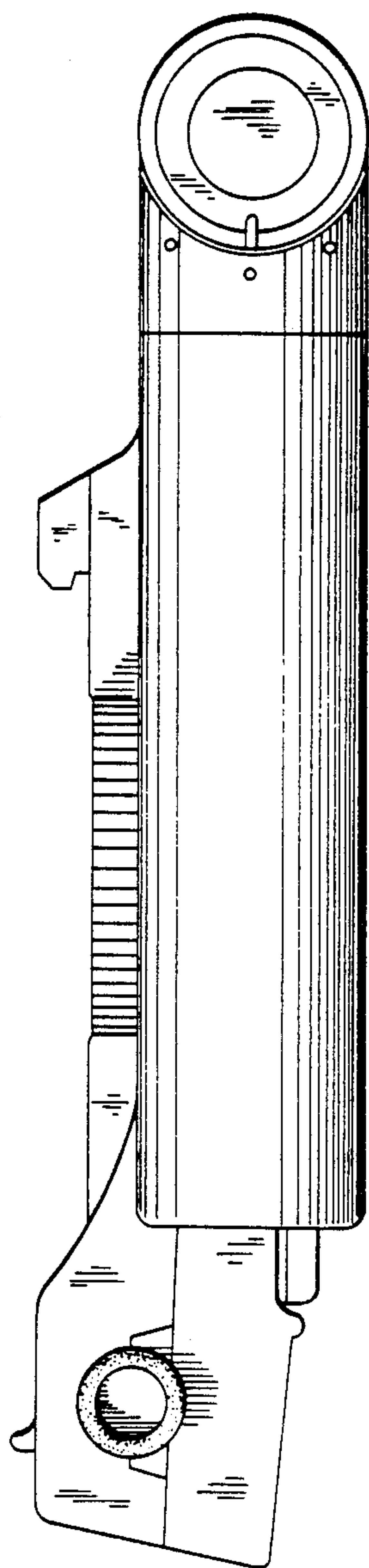


FIG. 2

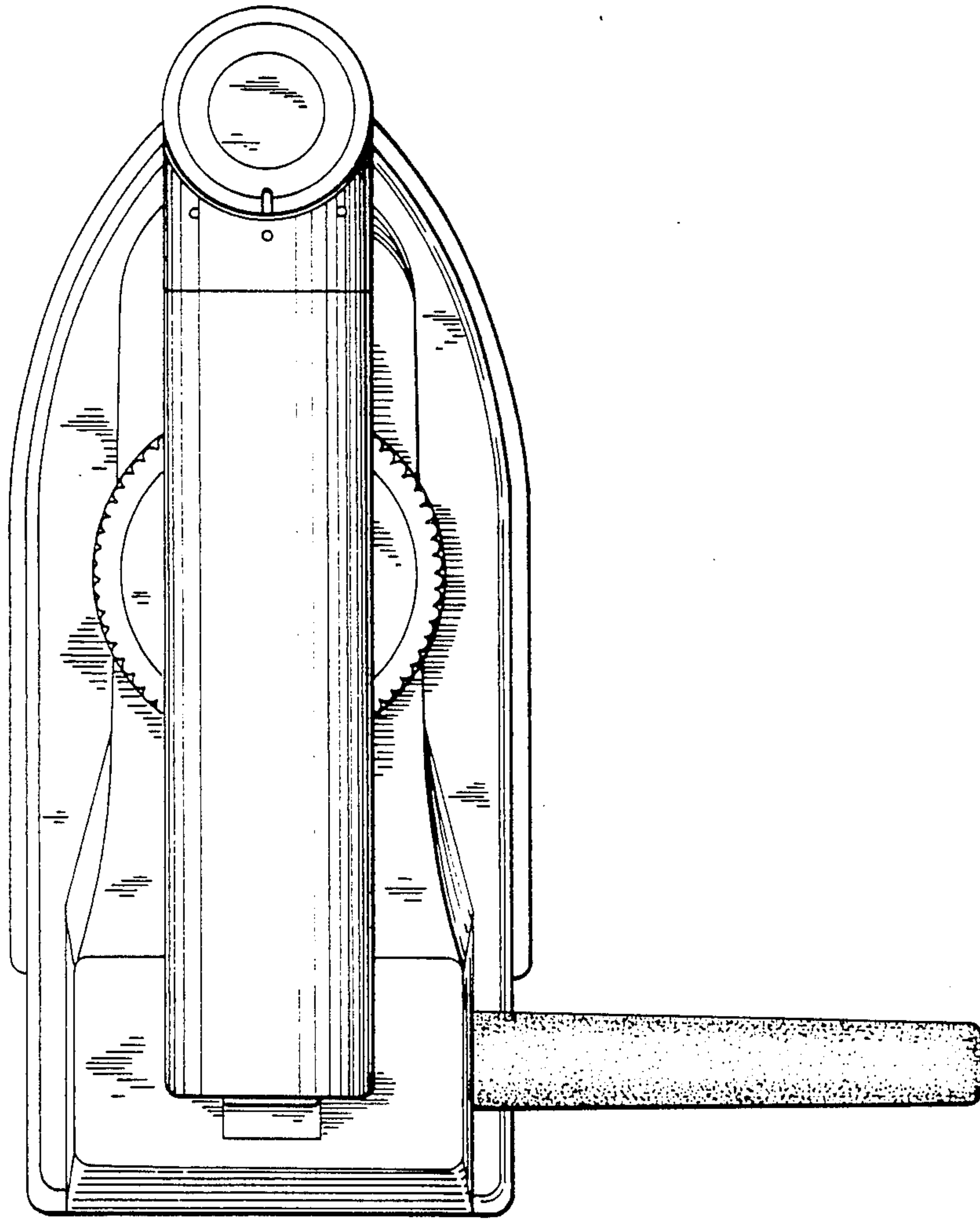


FIG. 3

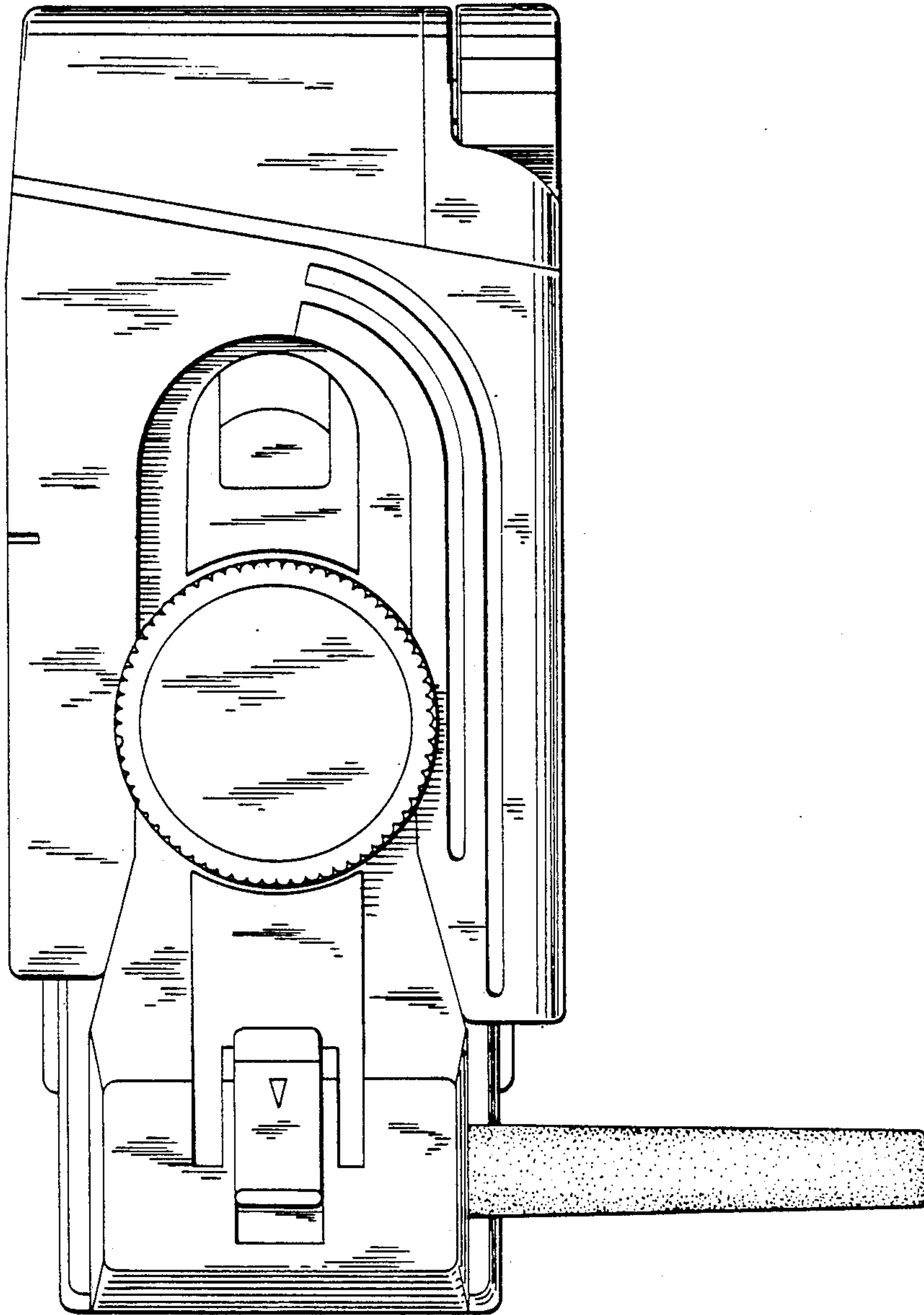


FIG. 4

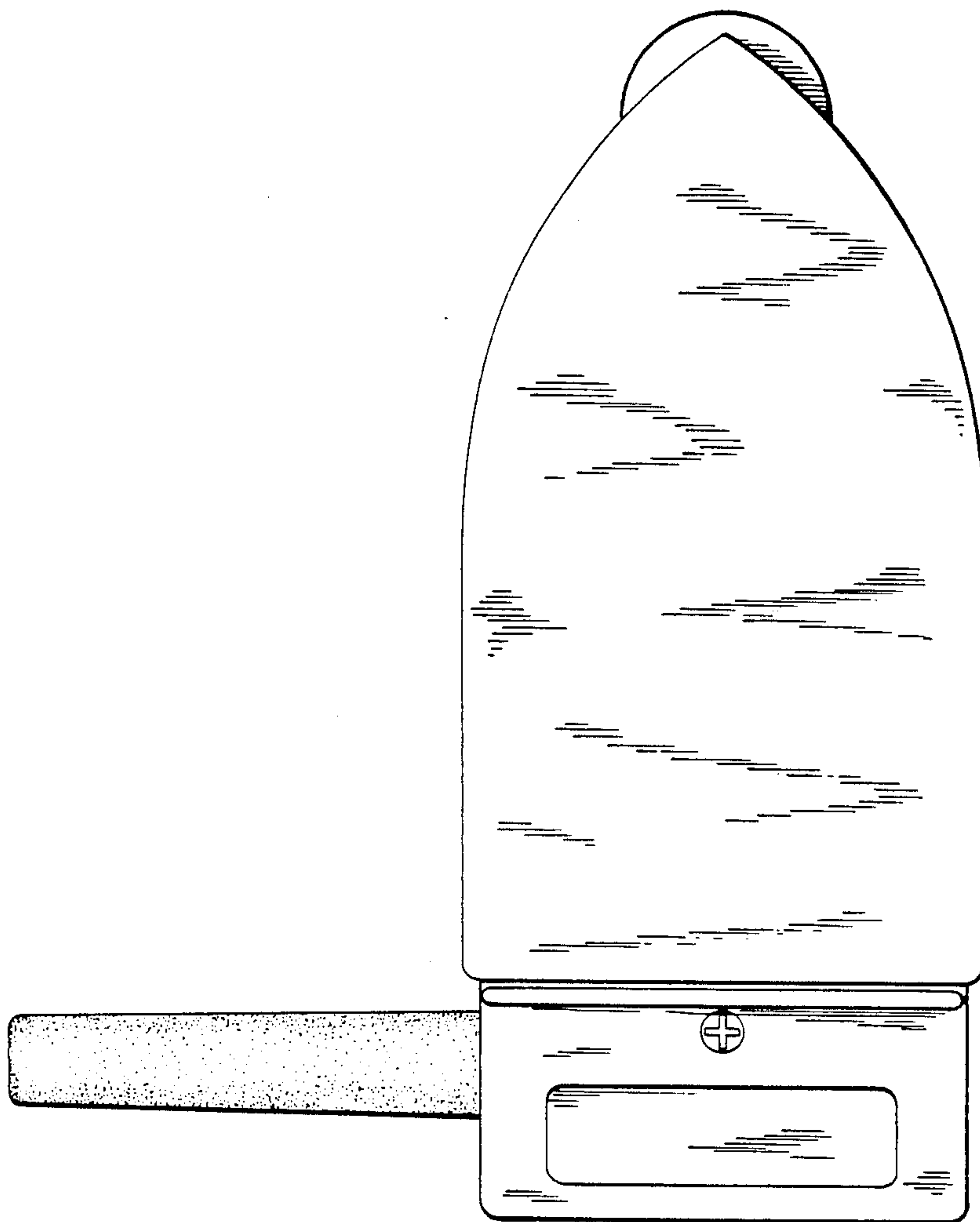


FIG. 5

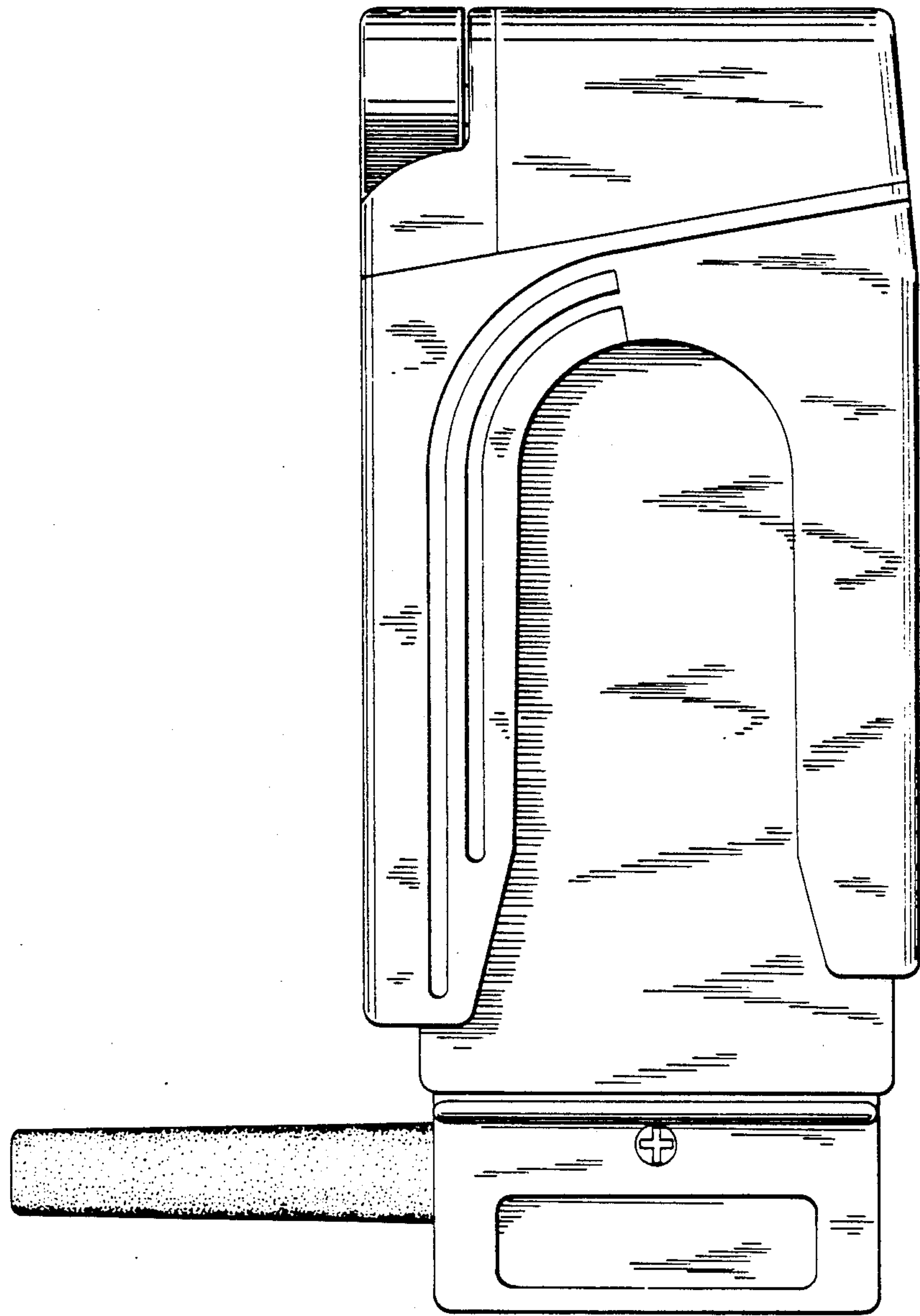


FIG. 6

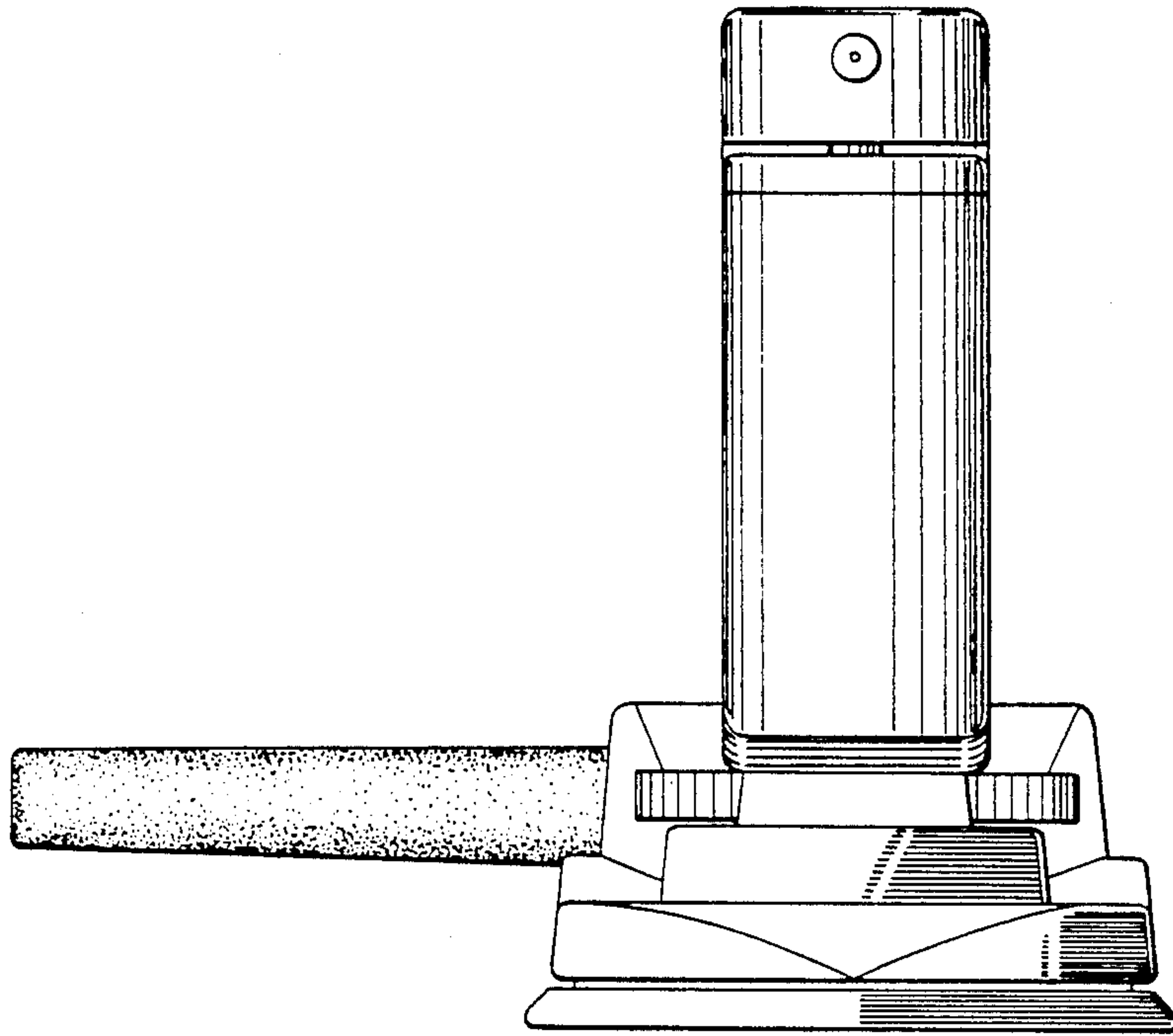


FIG. 7

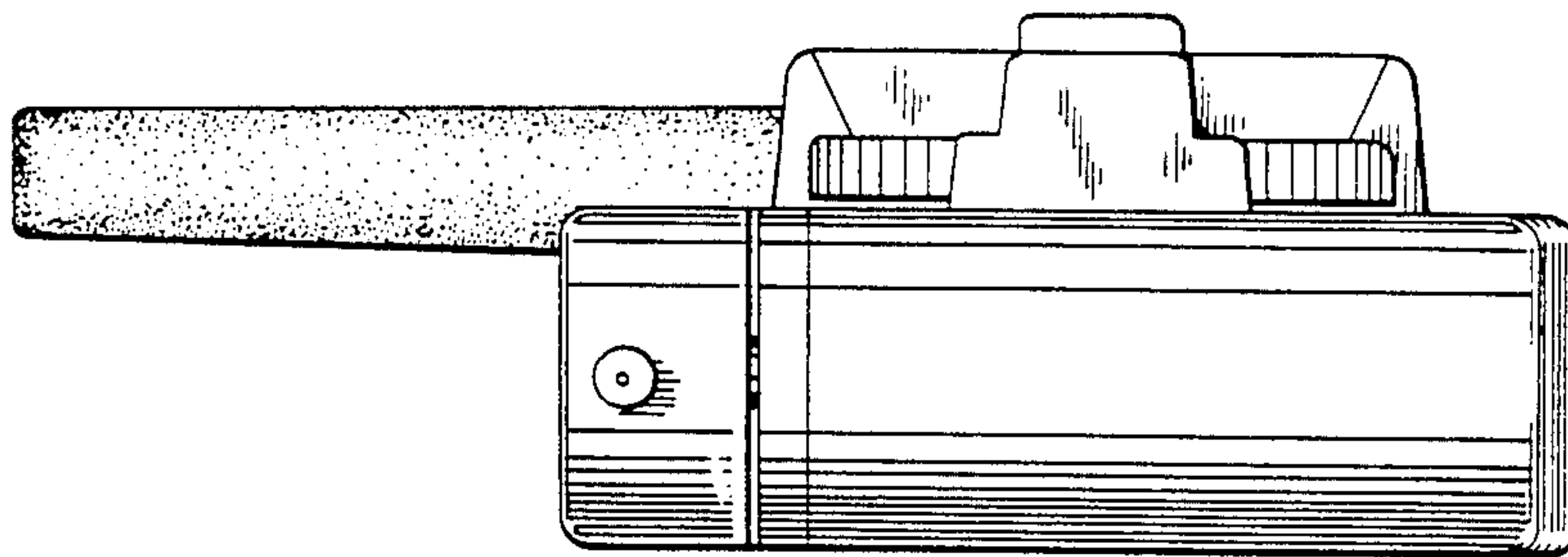


FIG. 8

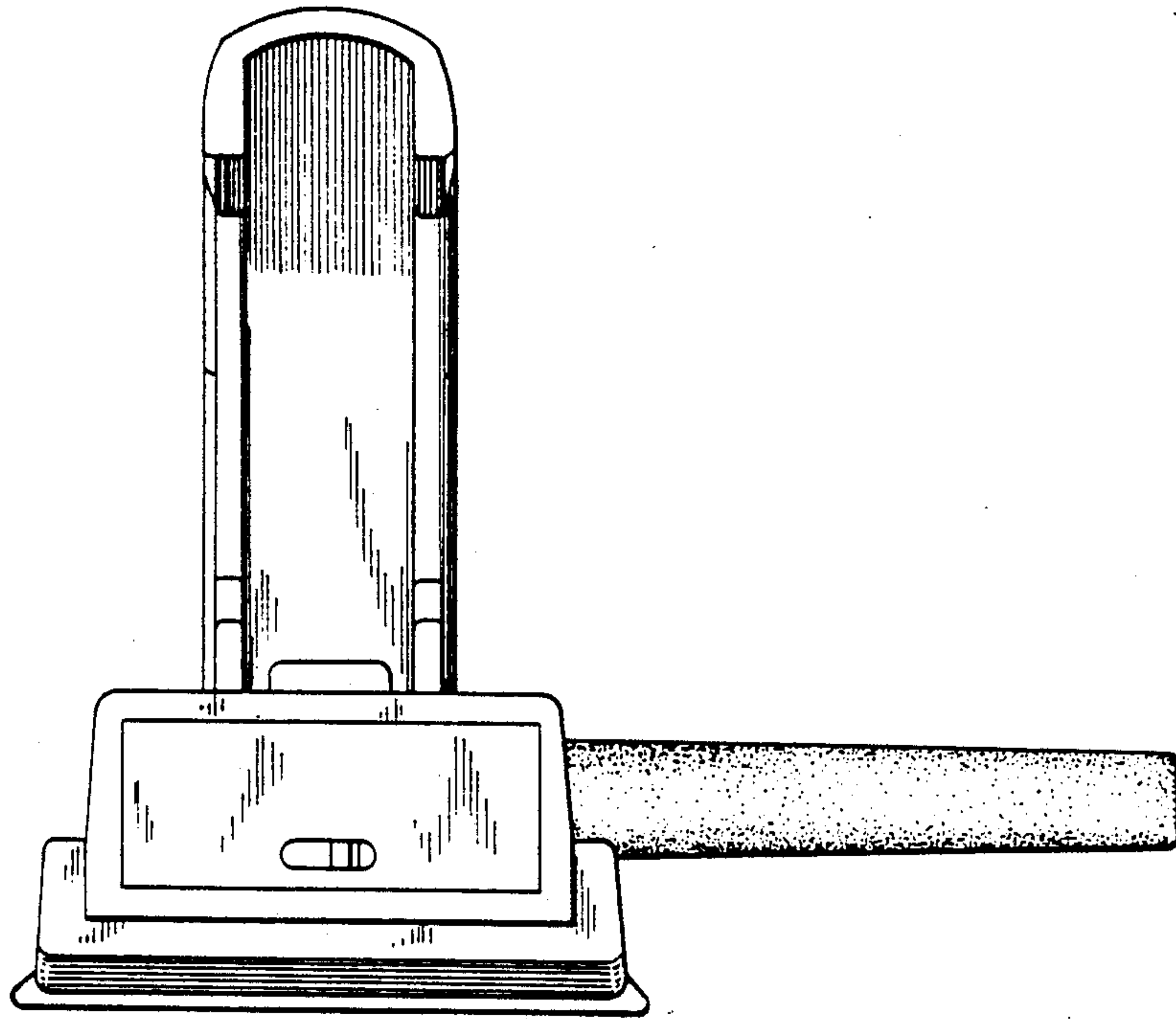


FIG. 9

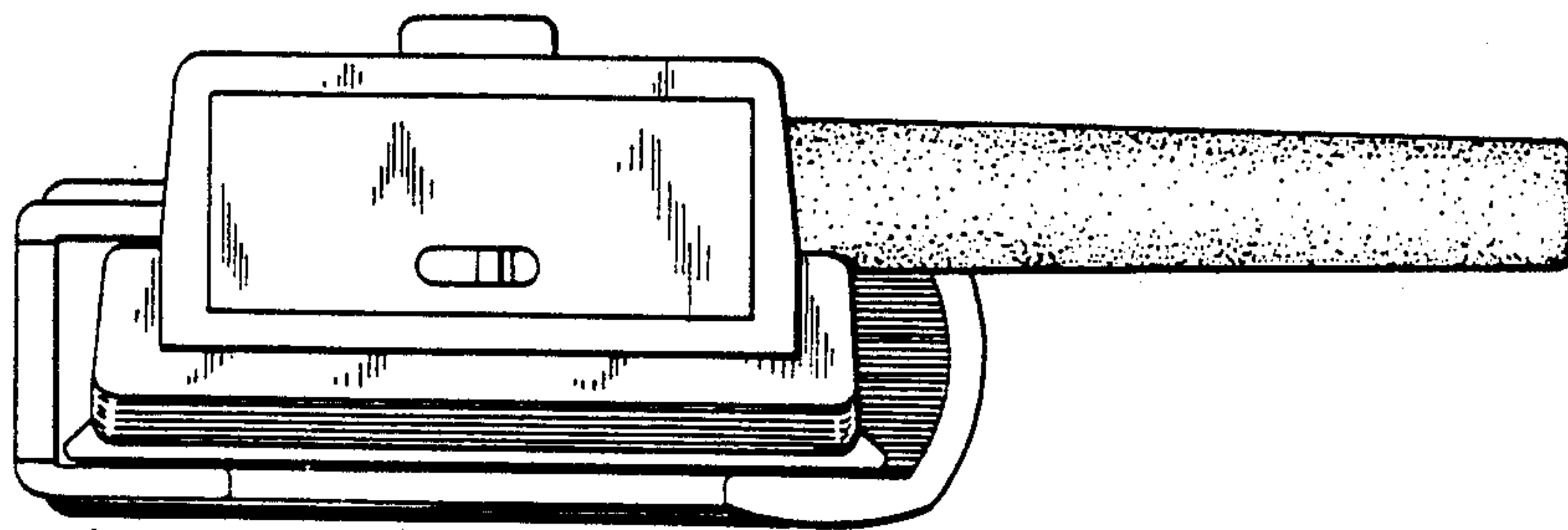


FIG. 10