

[54] UPPER SUPPORT COLLAR FOR ARMS OF A COLLAPSIBLE CLOTHES DRIER

[75] Inventor: Ronald G. Meade, Edwardstown, Australia

[73] Assignee: Hills Industries Limited, Edwardstown, Australia

[**] Term: 14 Years

[21] Appl. No.: 615,206

[22] Filed: May 30, 1984

[30] Foreign Application Priority Data

Nov. 30, 1983 [AU] Australia 5848-83
[52] U.S. Cl. D32/58
[58] Field of Search D32/58-60; 211/183, 196, 197

[56] References Cited

U.S. PATENT DOCUMENTS

D. 254,471 3/1980 Seabrook D32/58
326,623 9/1885 Caldwell et al. 211/197 X
2,274,139 2/1942 Goldthwait et al. 211/197
2,415,908 2/1947 Pollard 211/197
2,747,749 5/1956 Shore et al. 211/197
2,794,556 6/1956 Lego 211/197
3,163,297 12/1964 Raymor 211/197
3,194,409 7/1965 Midouhas 211/197
4,550,840 11/1985 Van Deursen 211/197

FOREIGN PATENT DOCUMENTS

221277 5/1959 Australia 211/196
922225 1/1955 Fed. Rep. of Germany 211/196
635444 3/1962 Italy 211/196
388240 2/1965 Switzerland 211/197
1006026 9/1965 United Kingdom 211/196
1496235 12/1977 United Kingdom 211/197

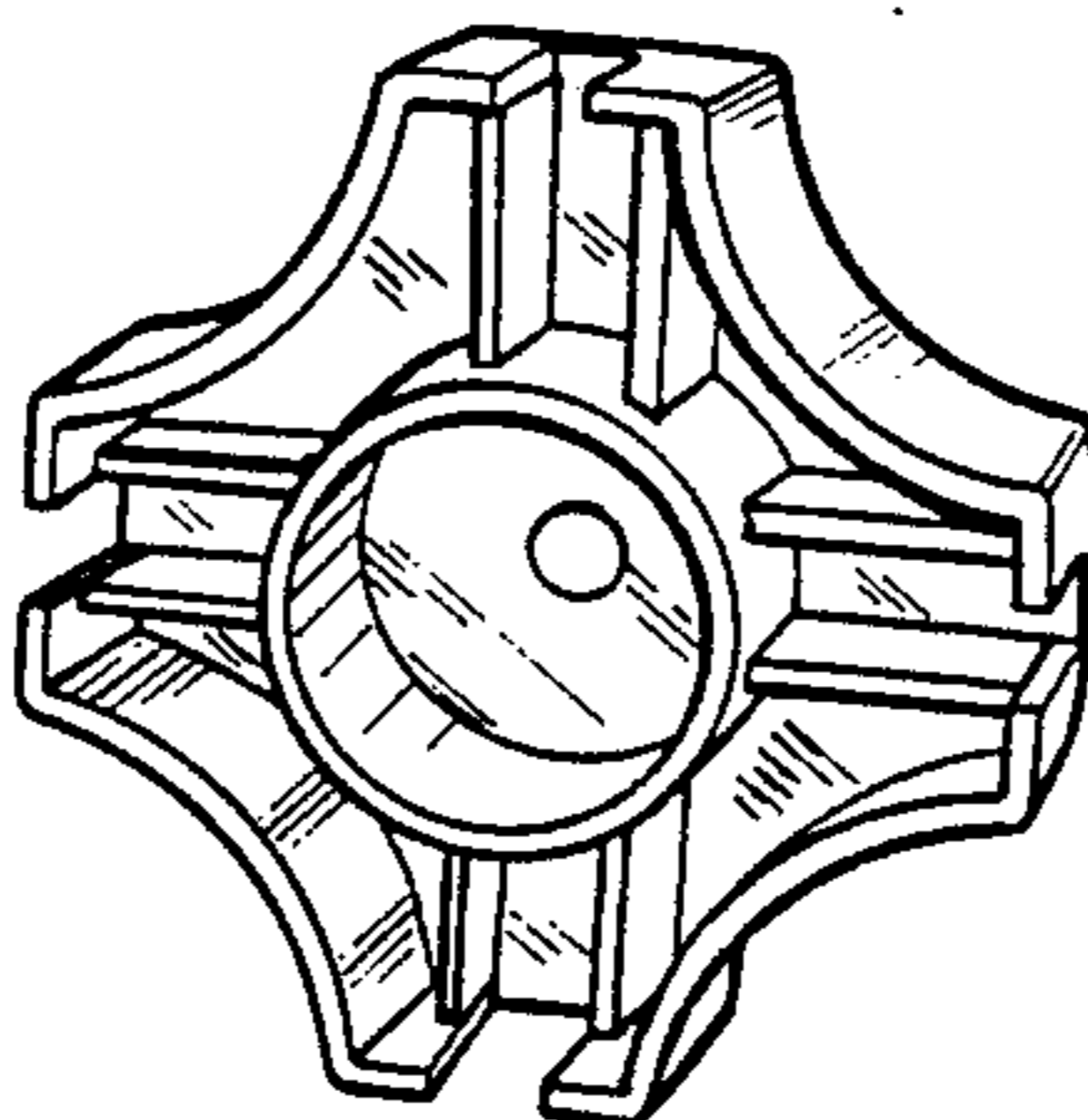
Primary Examiner—Catherine E. Kemper
Attorney, Agent, or Firm—Popper, Bobis & Jackson

[57] CLAIM

The ornamental design for a upper support collar for arms of a collapsible clothes drier, as shown and described.

DESCRIPTION

FIG. 1 is a perspective view, looking from the front, of the inner portion of the upper support collar for arms of a collapsible clothes drier, of my design.
FIG. 2 is a perspective view, looking from the front, of the outer portion of the clothes line upper cross assembly, of my design.
FIG. 3 is a perspective view, looking from the rear, of the inner portion of FIG. 1.
FIG. 4 is a perspective view, looking from the rear, of the outer portion of FIG. 2.
FIG. 5 is a perspective view, looking from the rear, of the clothes line upper cross assembly of my design, including the inner and outer portions thereof, in engagement with each other.



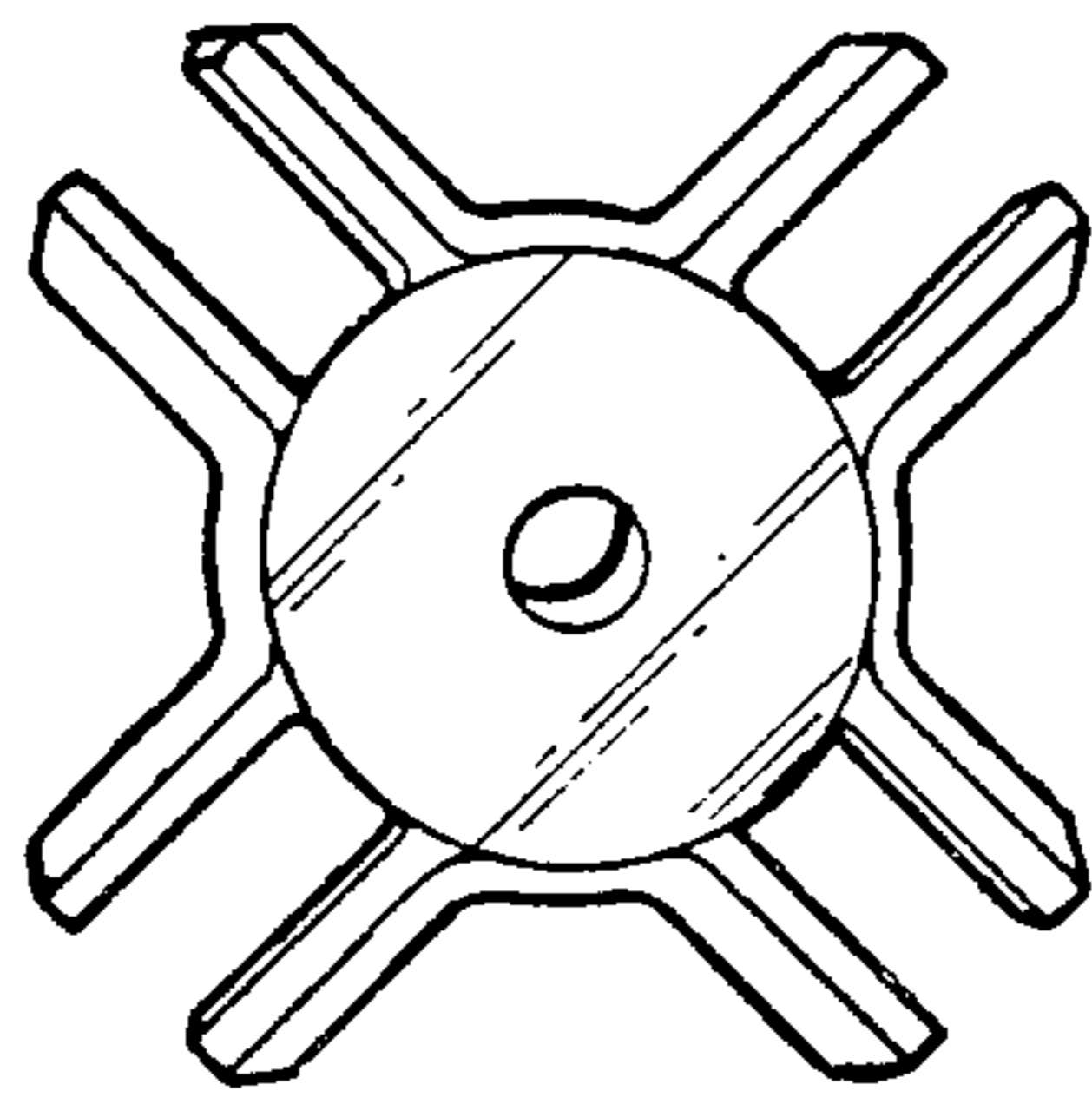


FIG 1

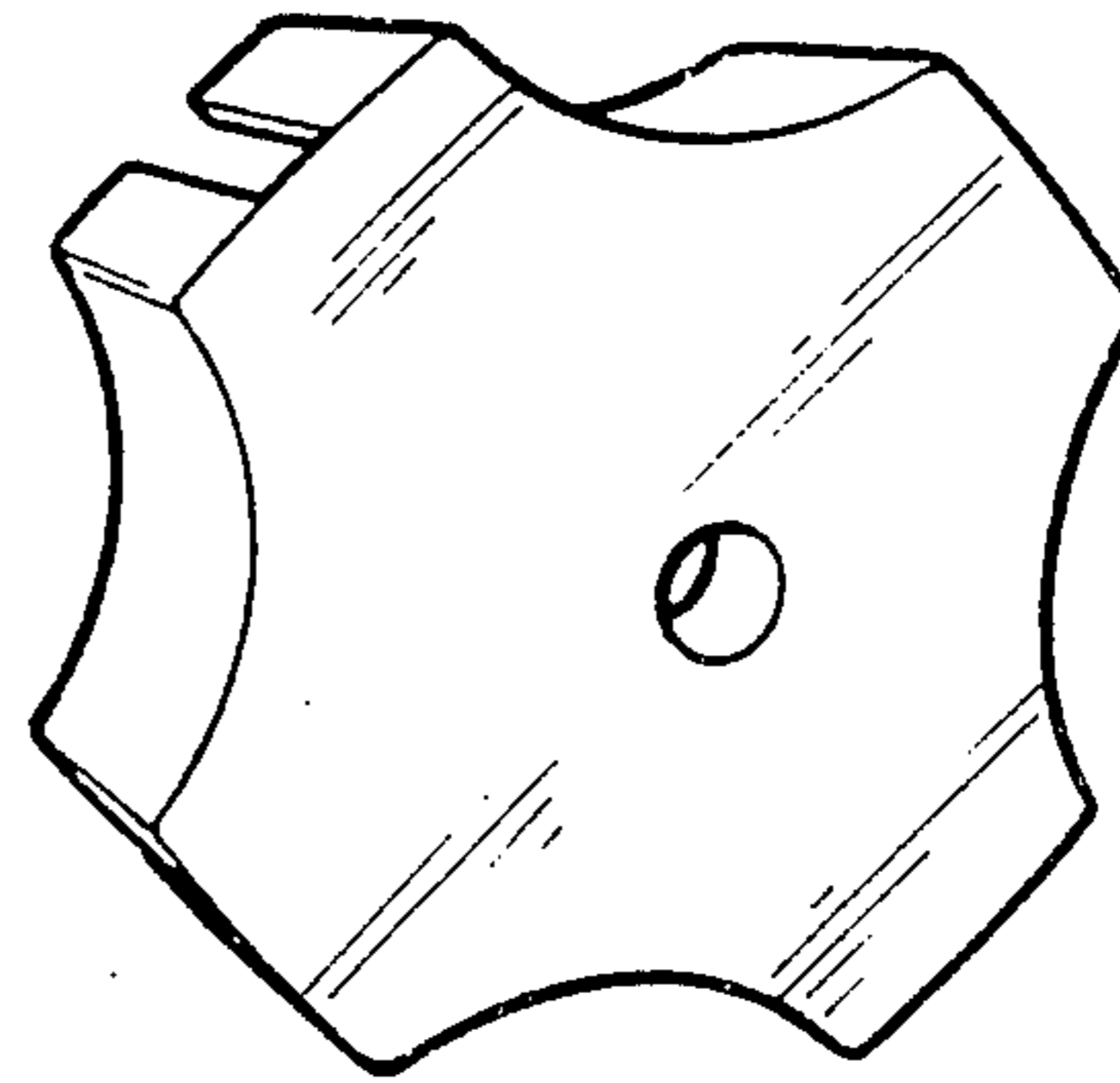


FIG 2

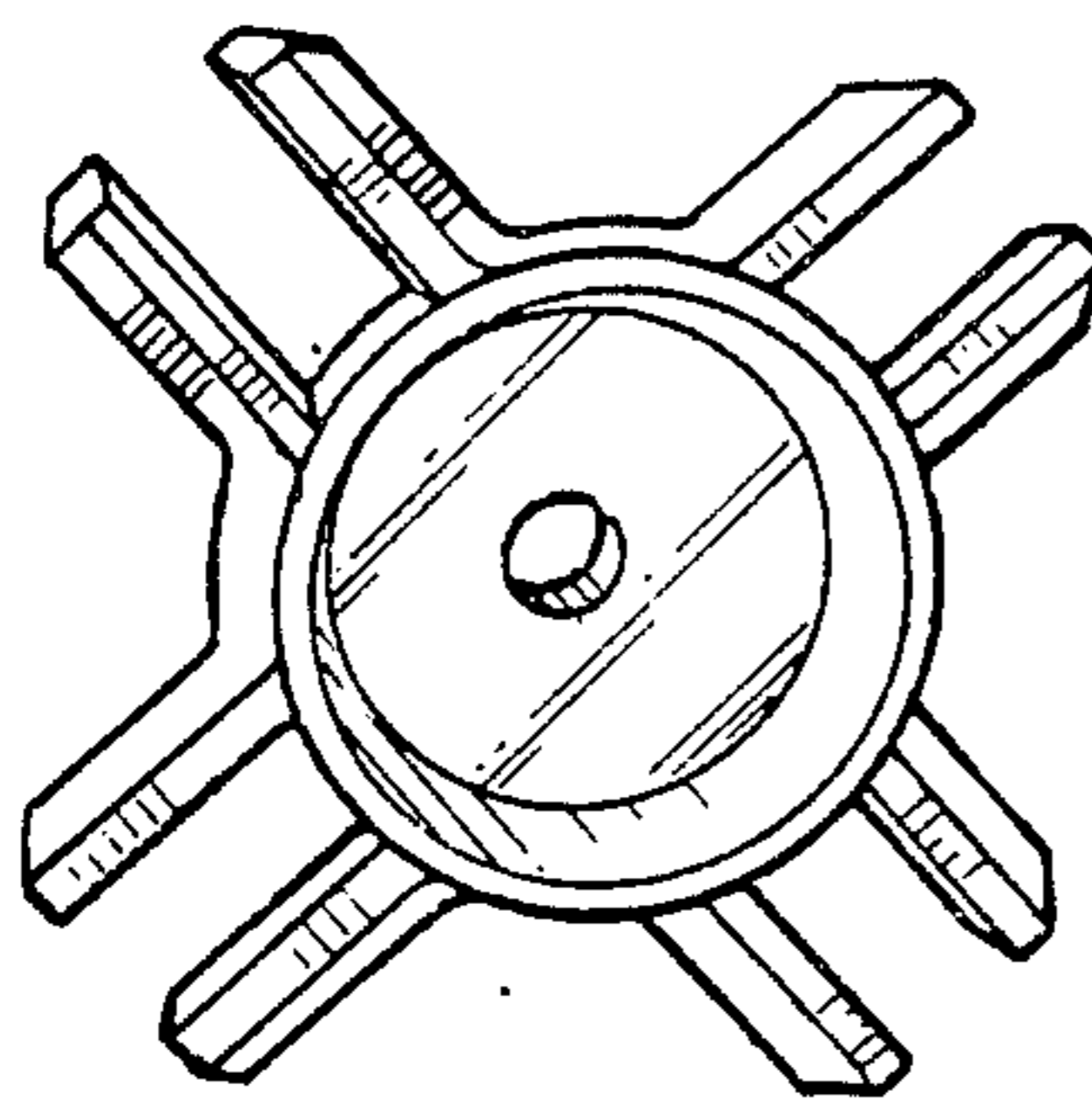


FIG 3

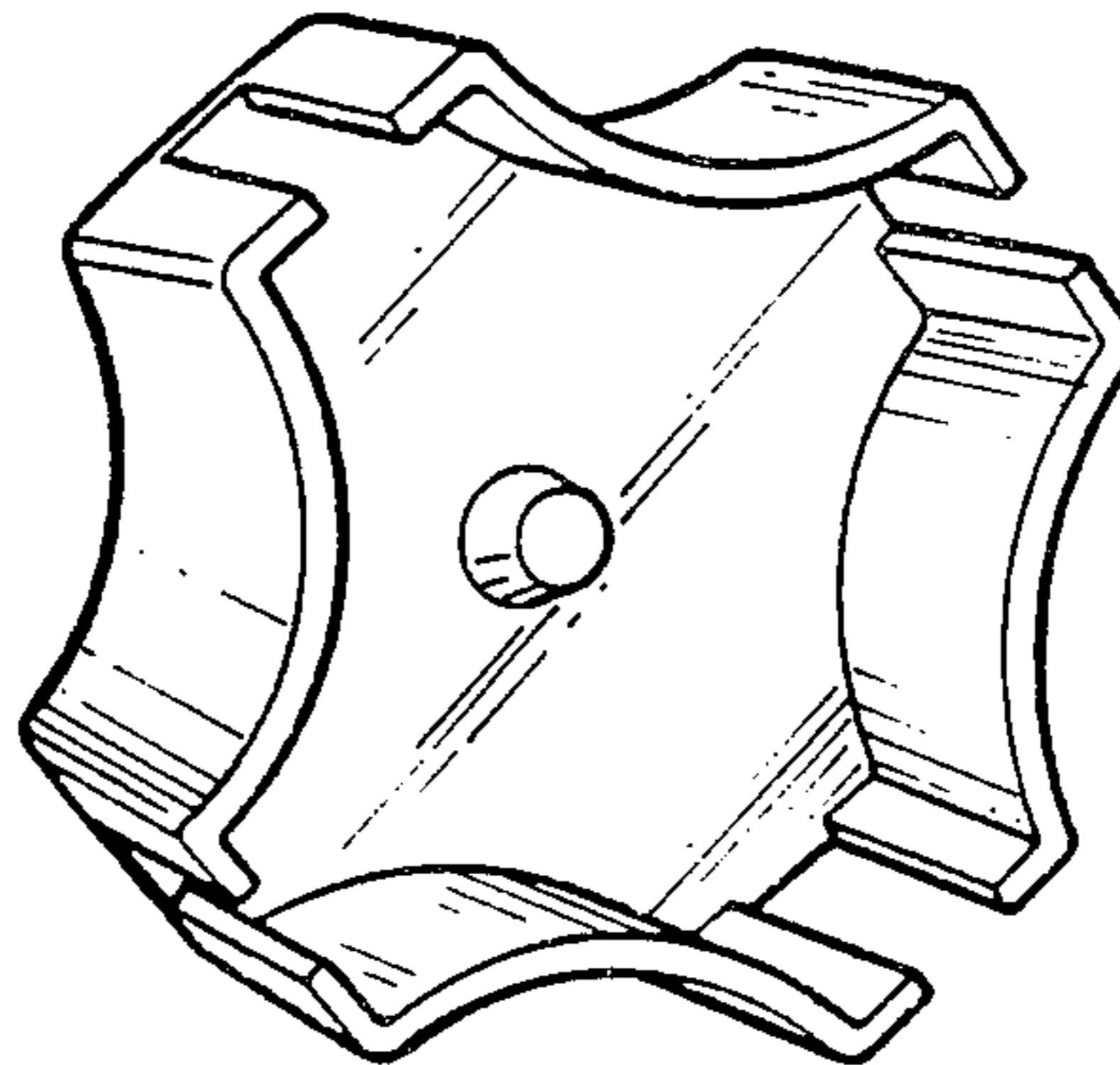


FIG 4

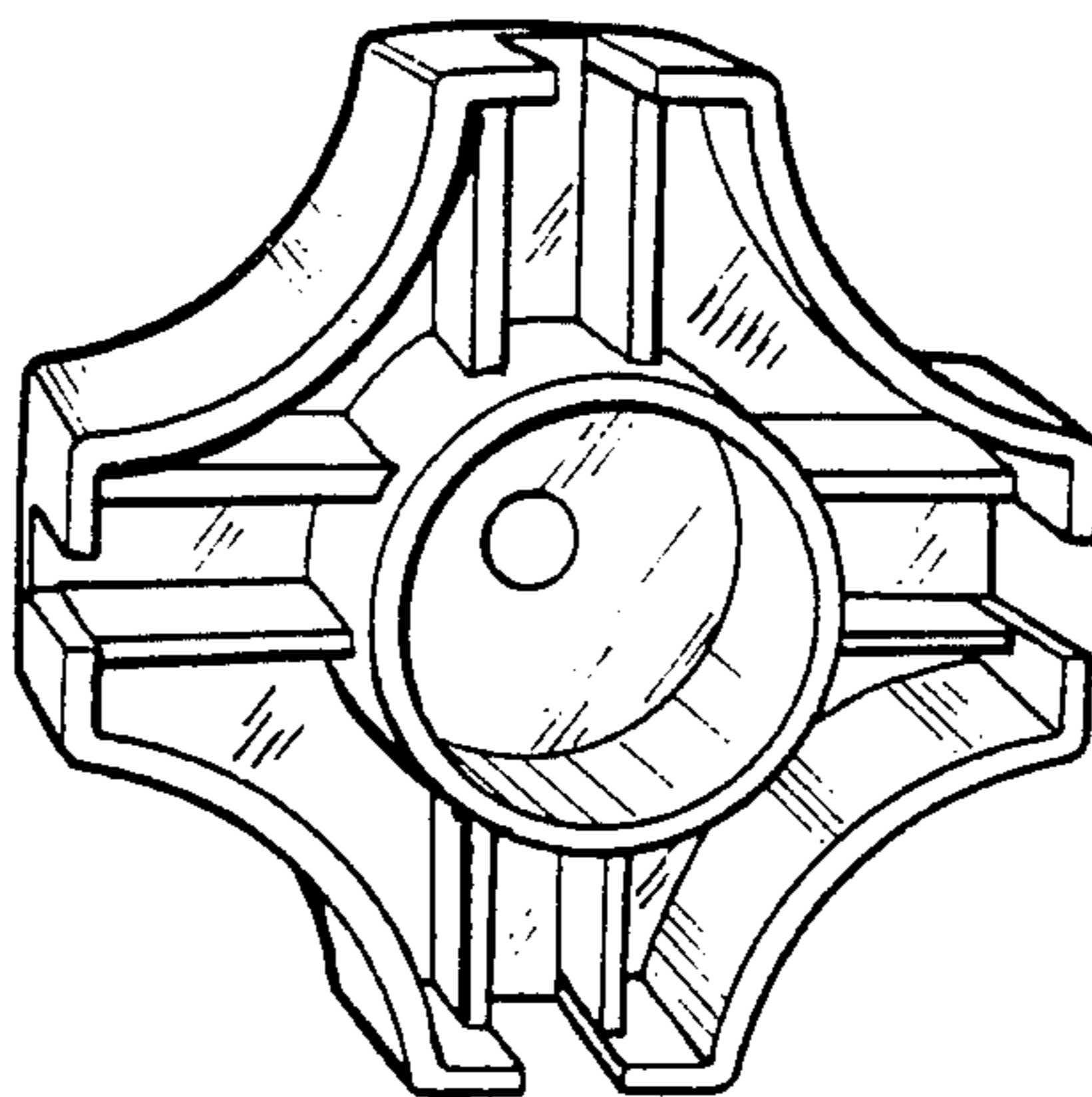


FIG 5