

[54] WALL MOUNTED HOLDER FOR VACUUM CLEANER ACCESSORIES

[75] Inventor: Frederick S. Fonville, Roanoke Rapids, N.C.

[73] Assignee: W. R. Grace & Co., Cryovac Div., Duncan, S.C.

[\*\*] Term: 14 Years

[21] Appl. No.: 747,100

[22] Filed: Jun. 20, 1985

[52] U.S. Cl. .... D32/31

[58] Field of Search ..... D9/345, 347, 418; D32/25, 31; 206/372-373, 349, 362, 223; 15/323, 257 A; 211/65-66; D6/553, 567, 569, 573

[56] References Cited

U.S. PATENT DOCUMENTS

- D. 224,208 7/1972 Kuchar ..... D9/418
- D. 272,572 2/1984 Parise ..... D22/31
- 2,491,680 12/1949 Meyerhoefer ..... 206/349

- 2,825,087 3/1958 Meyerhoefer ..... 15/323
- 2,829,778 4/1958 Carabet ..... 206/373
- 3,872,538 3/1975 Crouser ..... 15/323
- 4,219,178 8/1980 Assim ..... D6/553
- 4,541,142 9/1985 Pudwill ..... 15/323

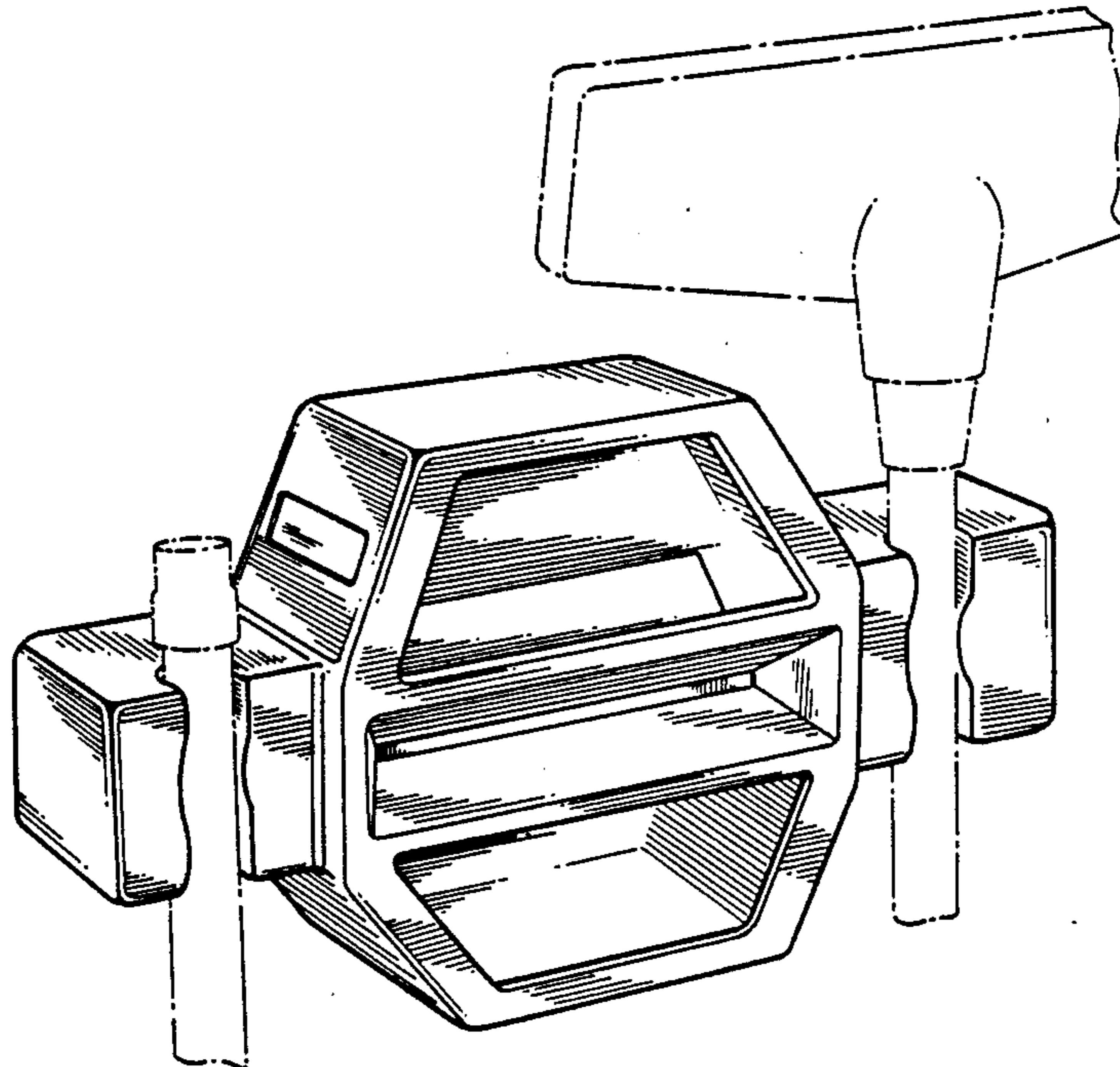
Primary Examiner—Susan J. Lucas  
Assistant Examiner—Ruth Takemoto  
Attorney, Agent, or Firm—John J. Toney; William D. Lee, Jr.; Mark B. Quatt

[57] CLAIM

The ornamental design of a wall mounted holder for vacuum cleaner accessories, substantially as shown.

DESCRIPTION

FIG. 1 is a top, front, and side perspective view of a wall mounted holder for vacuum cleaner accessories showing my new design, the vacuum cleaner accessories shown in broken lines are for illustrative purposes only and form no part of the claimed design; FIG. 2 is a front elevational view thereof; FIG. 3 is a top plan view thereof; and FIG. 4 is a side elevational view thereof.



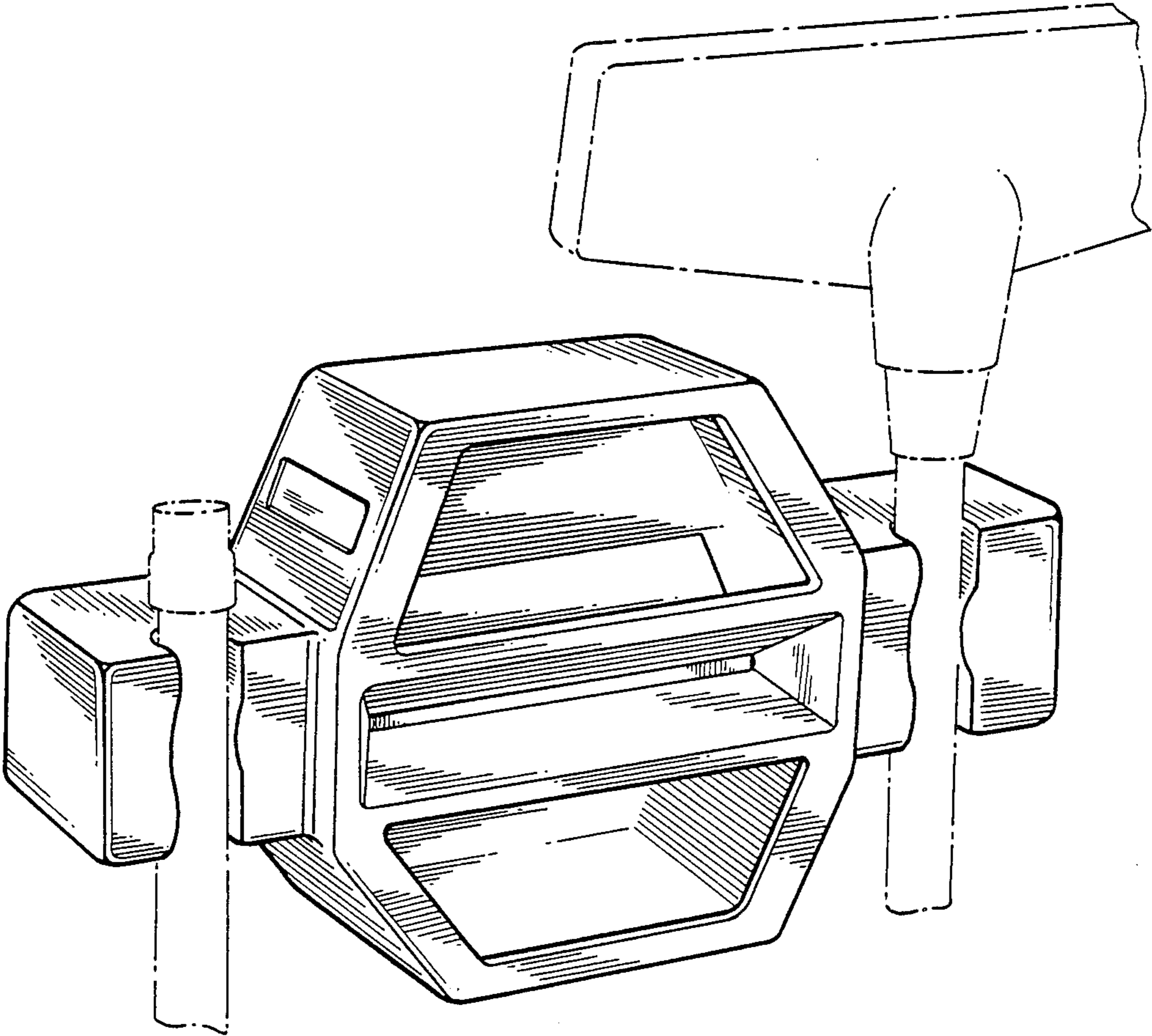


FIG. 1

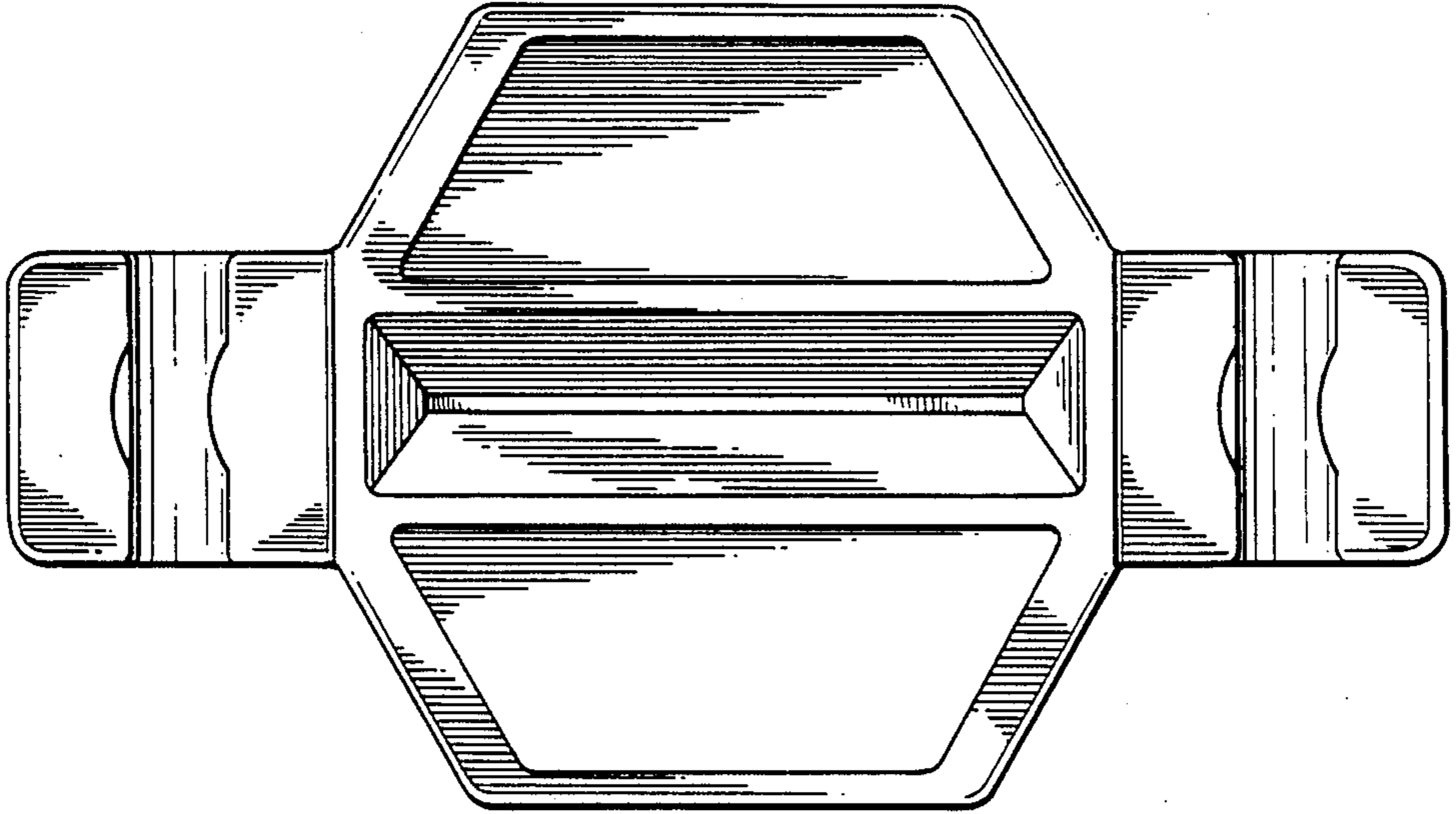


FIG. 2

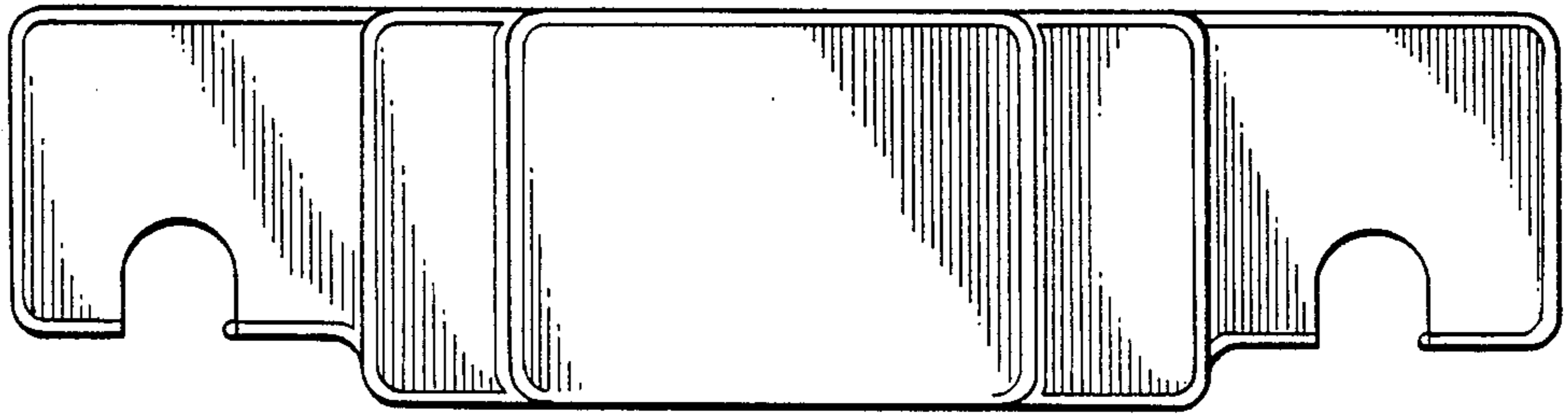


FIG. 3

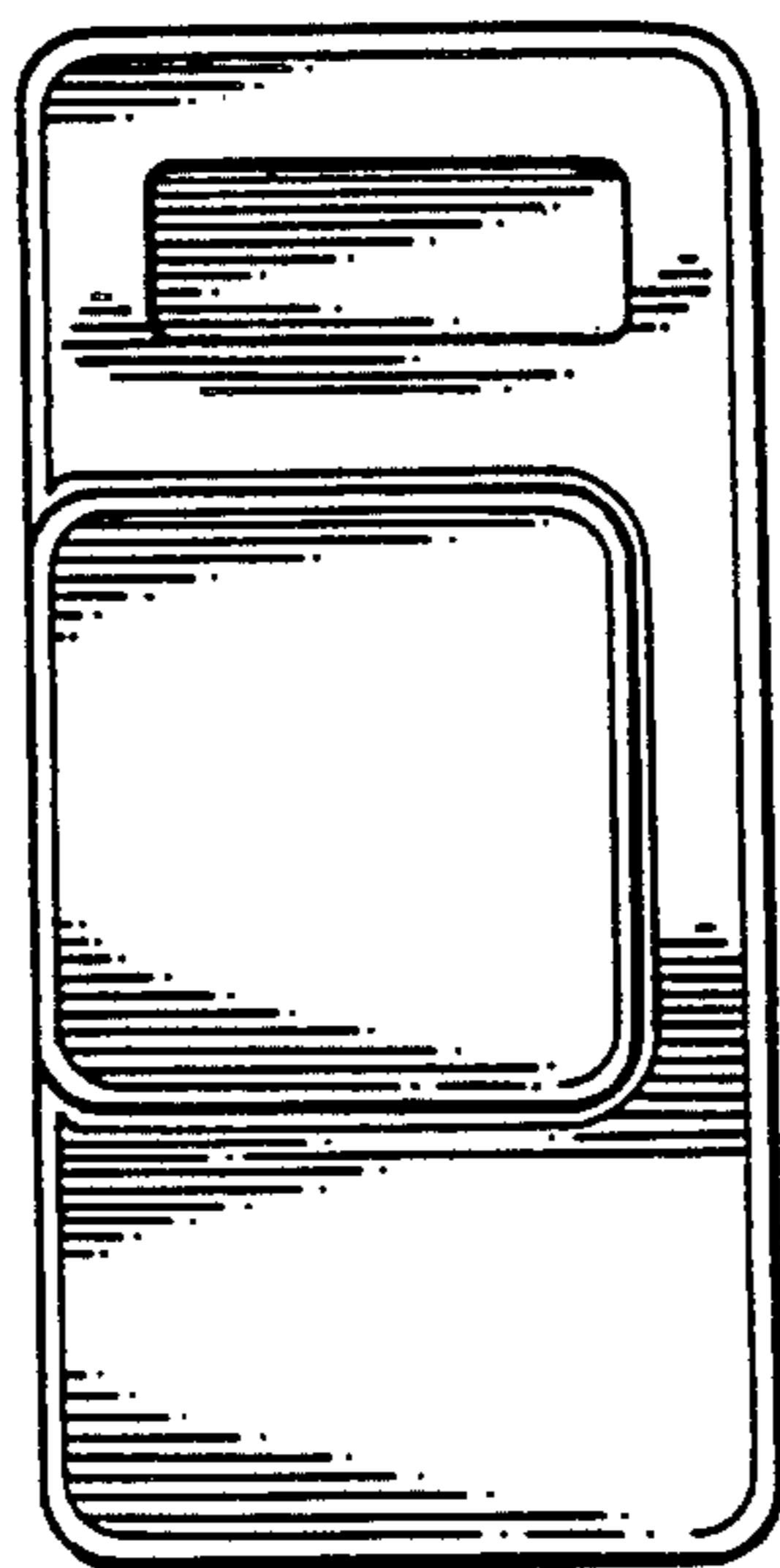


FIG. 4