

[54] CONTAINER FOR VACUUM CLEANER ACCESSORIES

[75] Inventors: John R. Lackner, North Ridgeville, Ohio; Juergen Rathgeber; J. Parks Newby, both of Raleigh, N.C.

[73] Assignee: The Scott & Fetzer Company, Cleveland, Ohio

[**] Term: 14 Years

[21] Appl. No.: 763,131

[22] Filed: Aug. 6, 1985

[52] U.S. Cl. D32/31

[58] Field of Search D9/345, 347, 418; 206/372-373, 349, 362, 223; 15/323, 257 A; D32/25, 31; 211/65-66

[56] References Cited

U.S. PATENT DOCUMENTS

D. 272,572	2/1984	Parise	D32/31
2,268,364	12/1941	White et al.	206/362
2,340,390	2/1944	Kitto	206/361
2,491,680	12/1949	Meyerhoefer	206/576
2,497,477	2/1950	Stoops	206/361
2,534,122	12/1950	Hamala	15/323
2,825,087	3/1958	Meyerhoefer	15/323
2,829,778	4/1958	Carabet	211/60
2,920,337	1/1960	Smith	15/323

3,089,177	5/1963	Andersson-Sason	15/323
3,132,742	5/1964	Shapiro et al.	206/45.34
3,339,781	9/1967	Schurman et al.	220/9
3,778,863	12/1973	Westergren et al.	15/323
3,872,538	3/1975	Crouser	15/323
3,955,237	5/1976	Chateaufneuf et al.	15/323
4,175,659	11/1979	Horian et al.	206/223

FOREIGN PATENT DOCUMENTS

978314	11/1975	Canada	15/323
--------	---------	--------	-------	--------

Primary Examiner—Wallace R. Burke
Assistant Examiner—Ruth Takemoto
Attorney, Agent, or Firm—Pearne, Gordon, McCoy & Granger

[57] CLAIM

The ornamental design for a container for vacuum cleaner accessories, as shown and described.

DESCRIPTION

FIG. 1 is a top, front and left side perspective view of a container for vacuum cleaner accessories showing our new design;
FIG. 2 is a left side elevational view thereof;
FIG. 3 is a front elevational view thereof;
FIG. 4 is a right side elevational view thereof;
FIG. 5 is a rear elevational view thereof;
FIG. 6 is a top plan view thereof; and
FIG. 7 is a bottom plan view thereof.

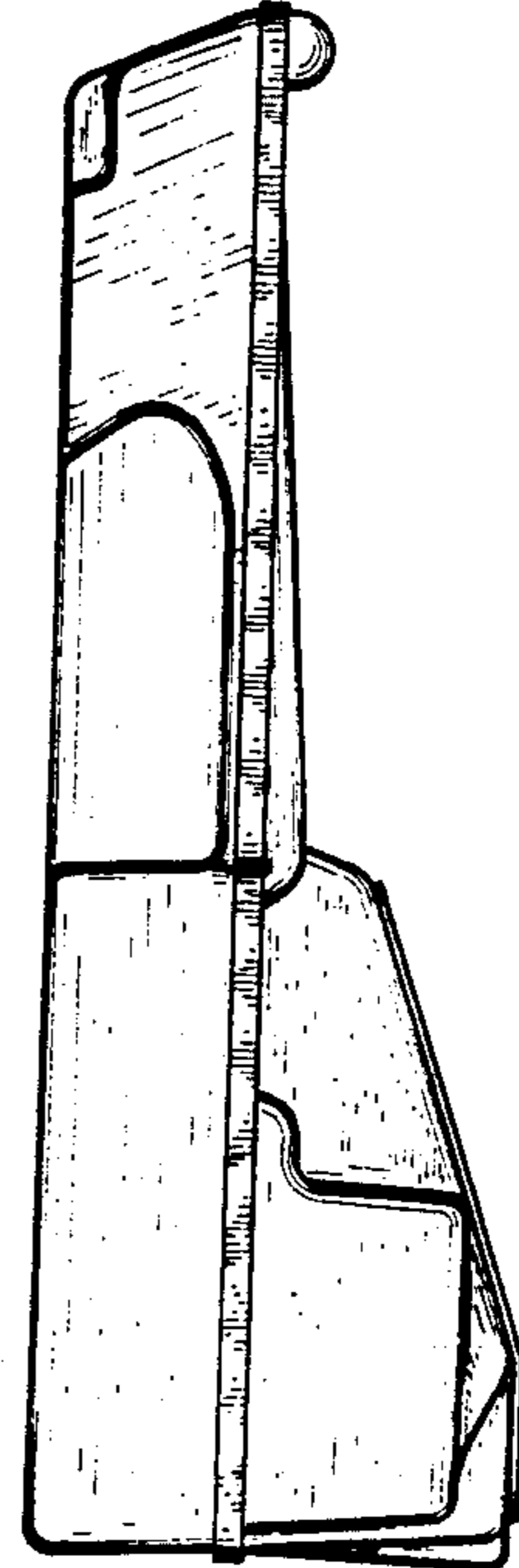
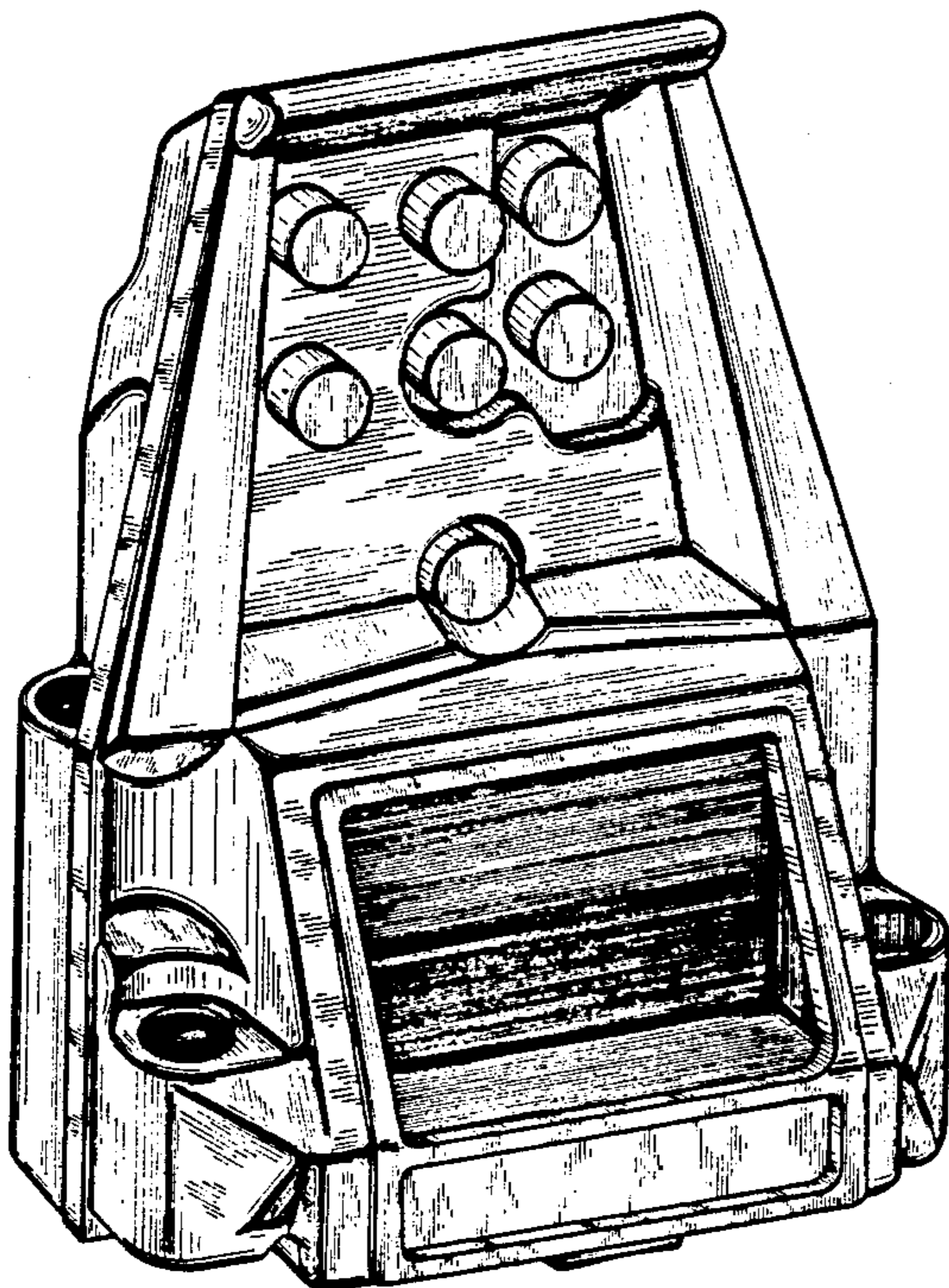
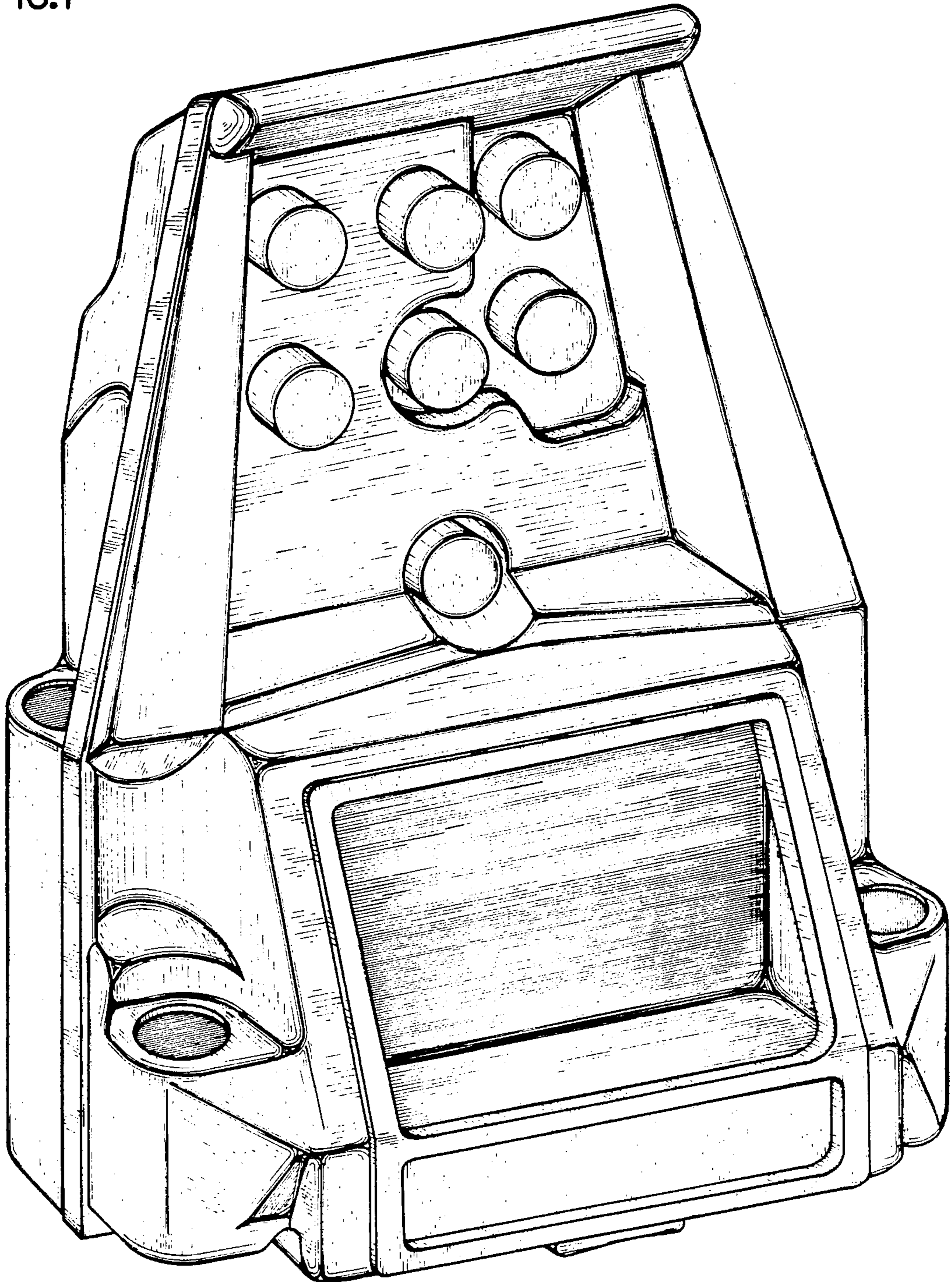


FIG. 1



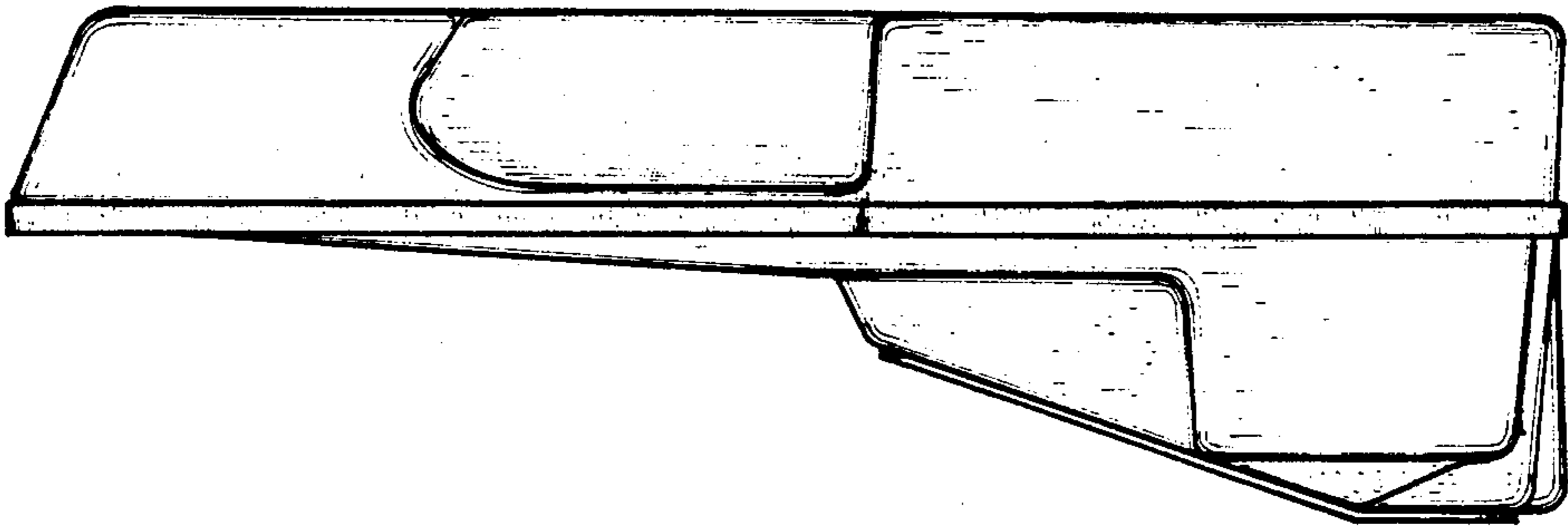


FIG. 4

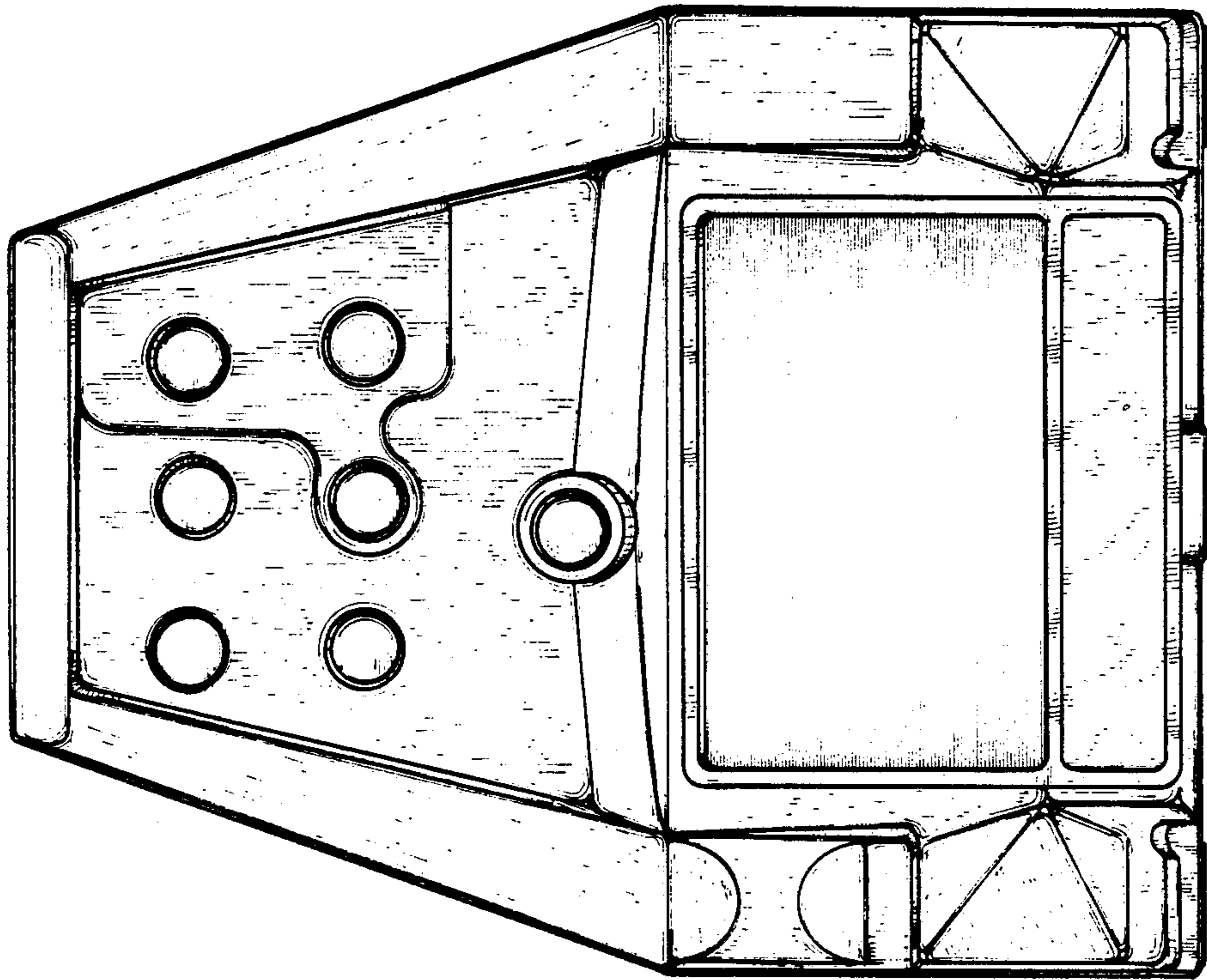


FIG. 3

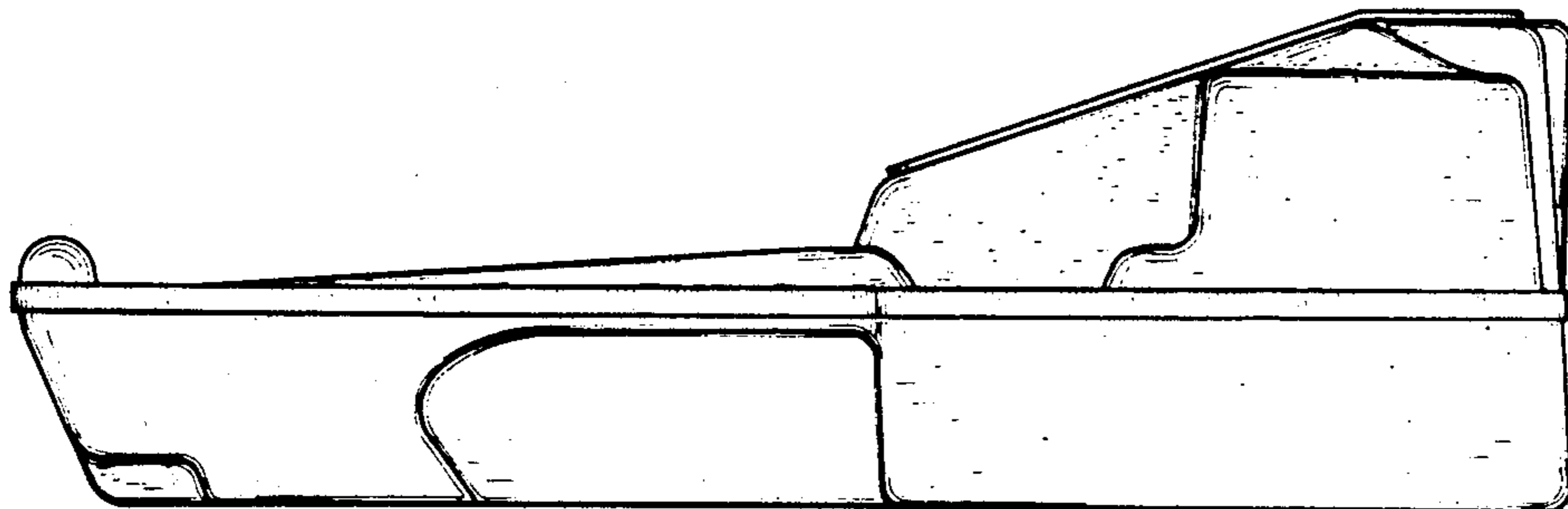


FIG. 2

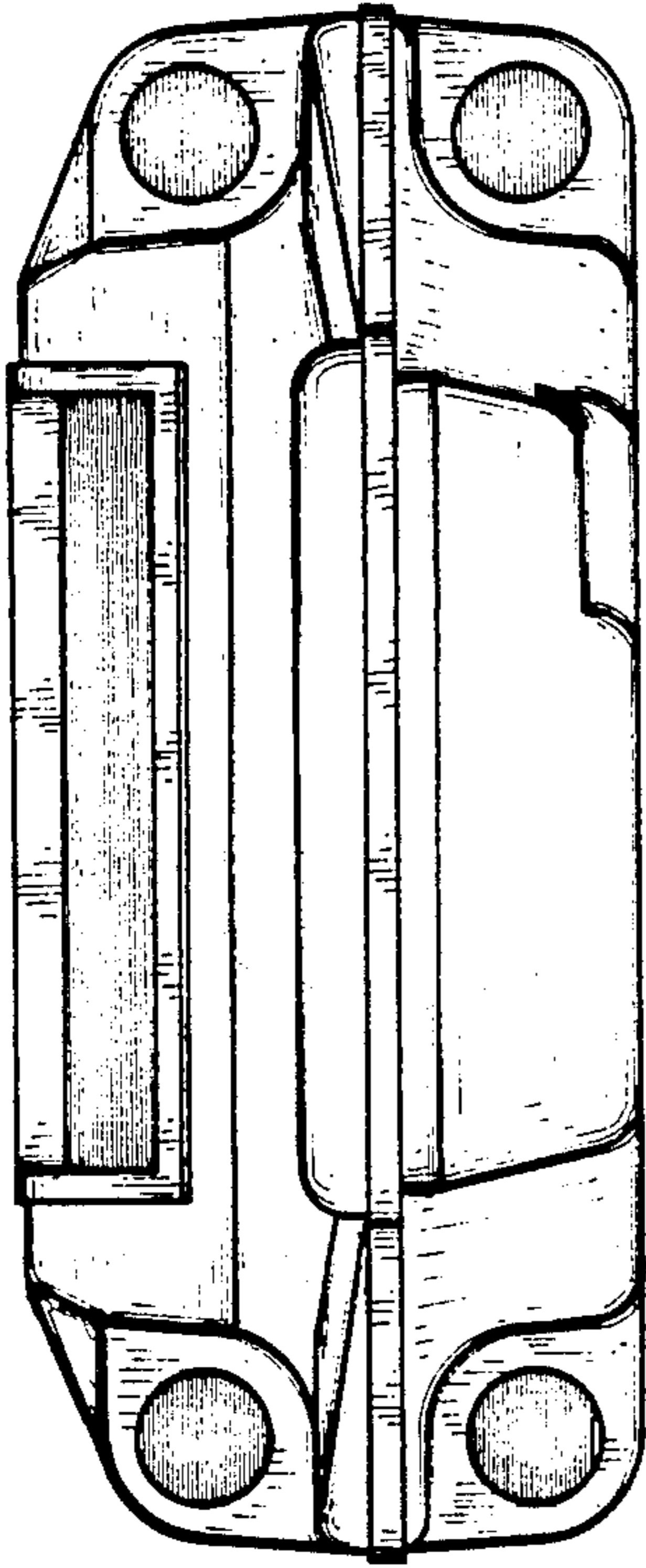


FIG. 6

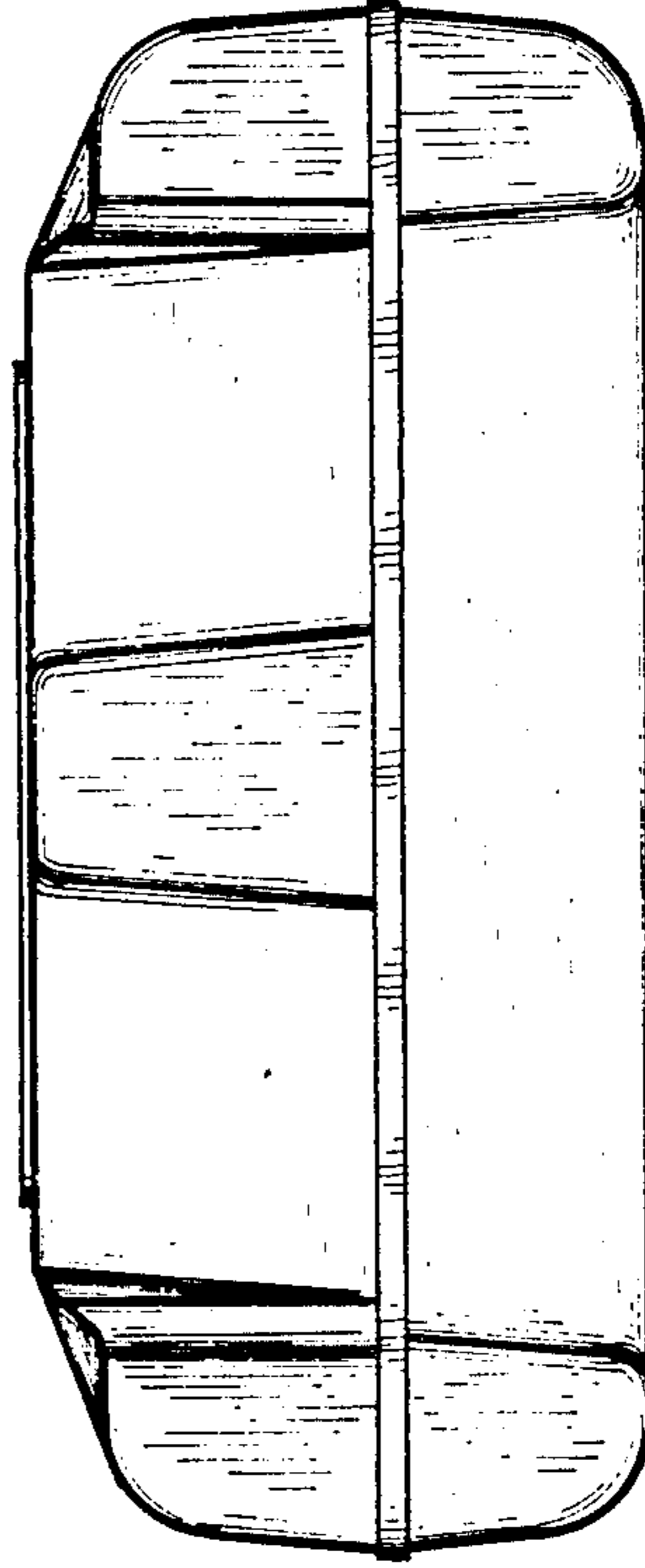


FIG. 7

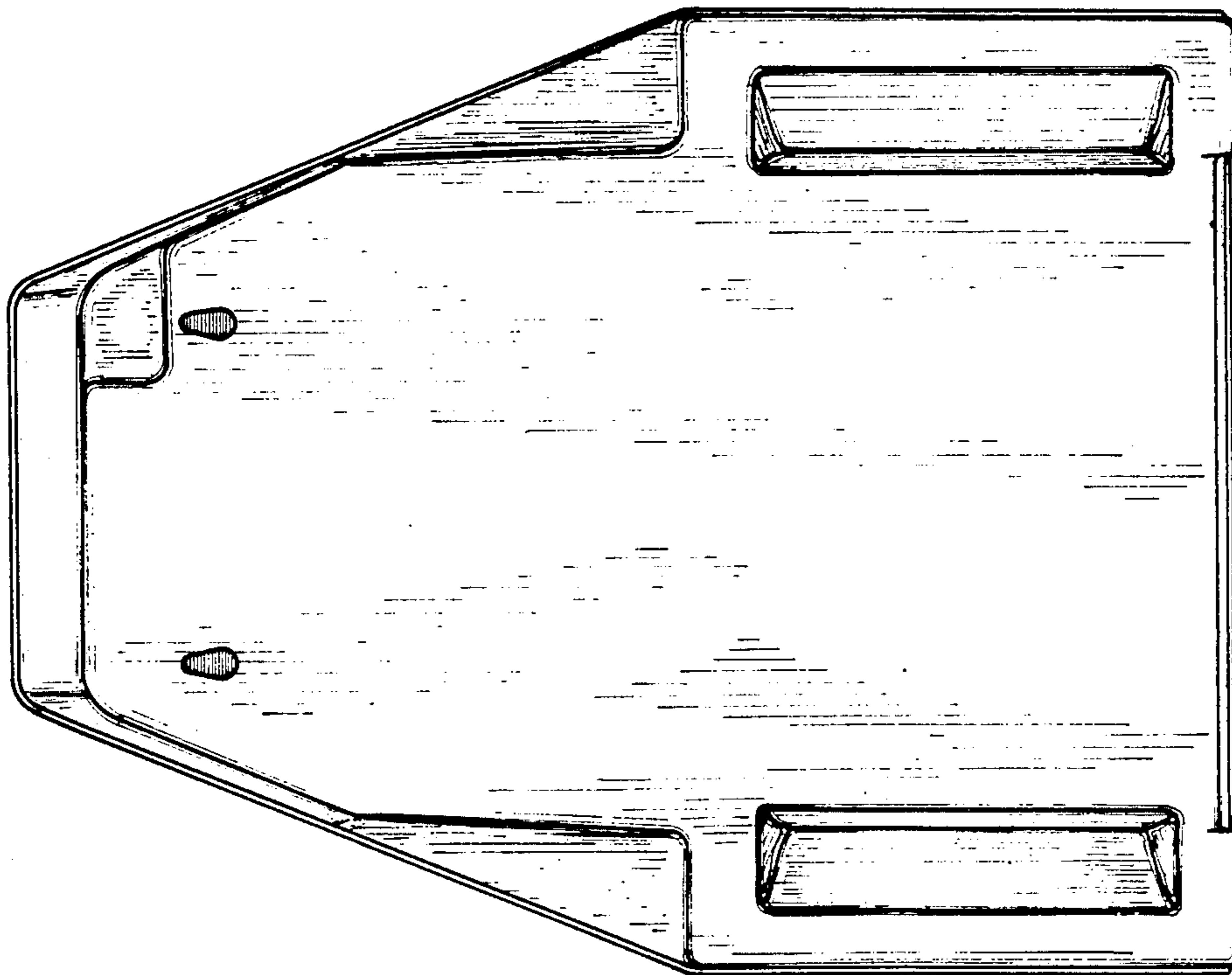


FIG. 5