

[54] **AQUARIUM**

[76] **Inventor: Ming-Jin Shaiu, 229-A St. Francis St., San Gabriel, Calif. 91776**

[**] **Term: 14 Years**

[21] **Appl. No.: 907,619**

[22] **Filed: Sep. 15, 1986**

[52] **U.S. Cl. D30/101**

[58] **Field of Search D30/6-12, D30/99; 119/5**

[56] **References Cited**

U.S. PATENT DOCUMENTS

- D. 94,058 12/1934 Swanson D30/8
- D. 134,688 12/1942 Waltman D30/11
- D. 253,075 10/1979 Renny D30/6
- D. 278,941 5/1985 Bohnsack D30/8

- D. 285,842 9/1986 Tigert D30/8
- D. 292,332 10/1987 Del Rosario D30/8
- 3,687,110 8/1972 Brauhut 119/1
- 4,538,547 9/1985 Del Rosario 119/5

Primary Examiner—James R. Largen

[57] **CLAIM**

The ornamental design for an aquarium, as shown and described.

DESCRIPTION

FIG. 1 is a perspective view taken from the top, front and left side of an aquarium showing my new design; FIG. 2 is a front elevational view thereof; FIG. 3 is a left side elevational view thereof; the right side being a mirror image of the left side shown; FIG. 4 is a rear elevational view thereof; FIG. 5 is a top plan view thereof; and FIG. 6 is a bottom plan view thereof.

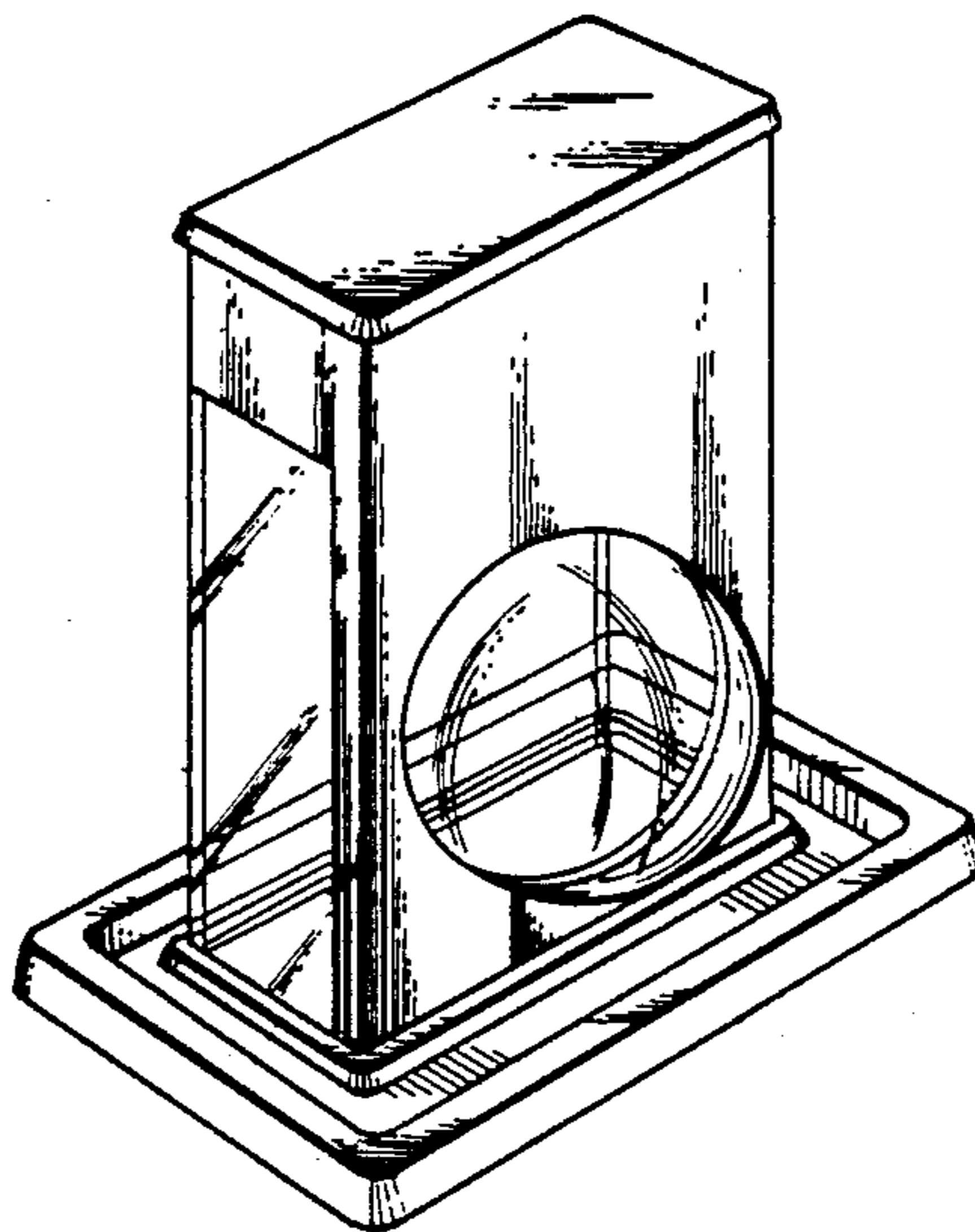


Fig. 1.

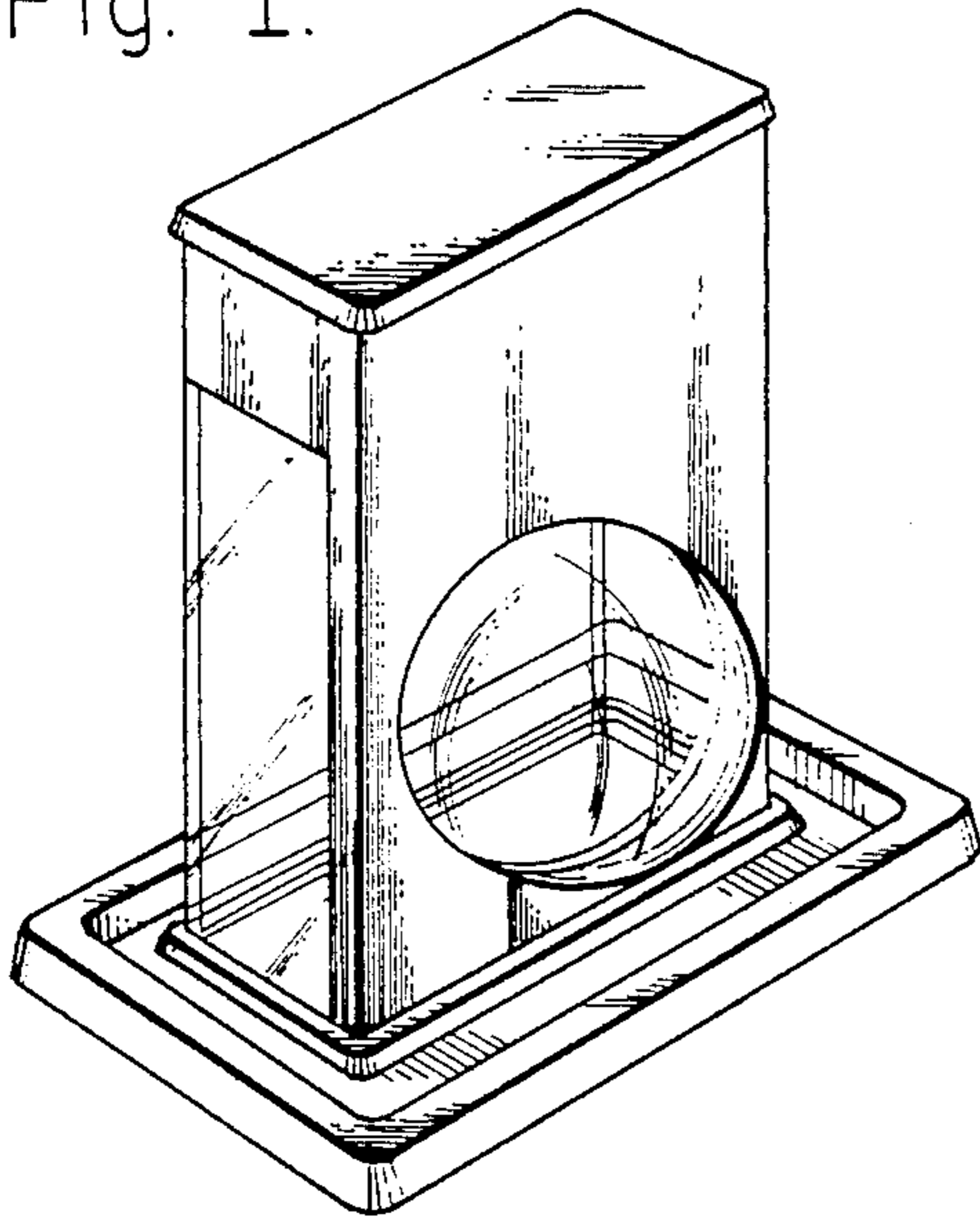


Fig. 2.

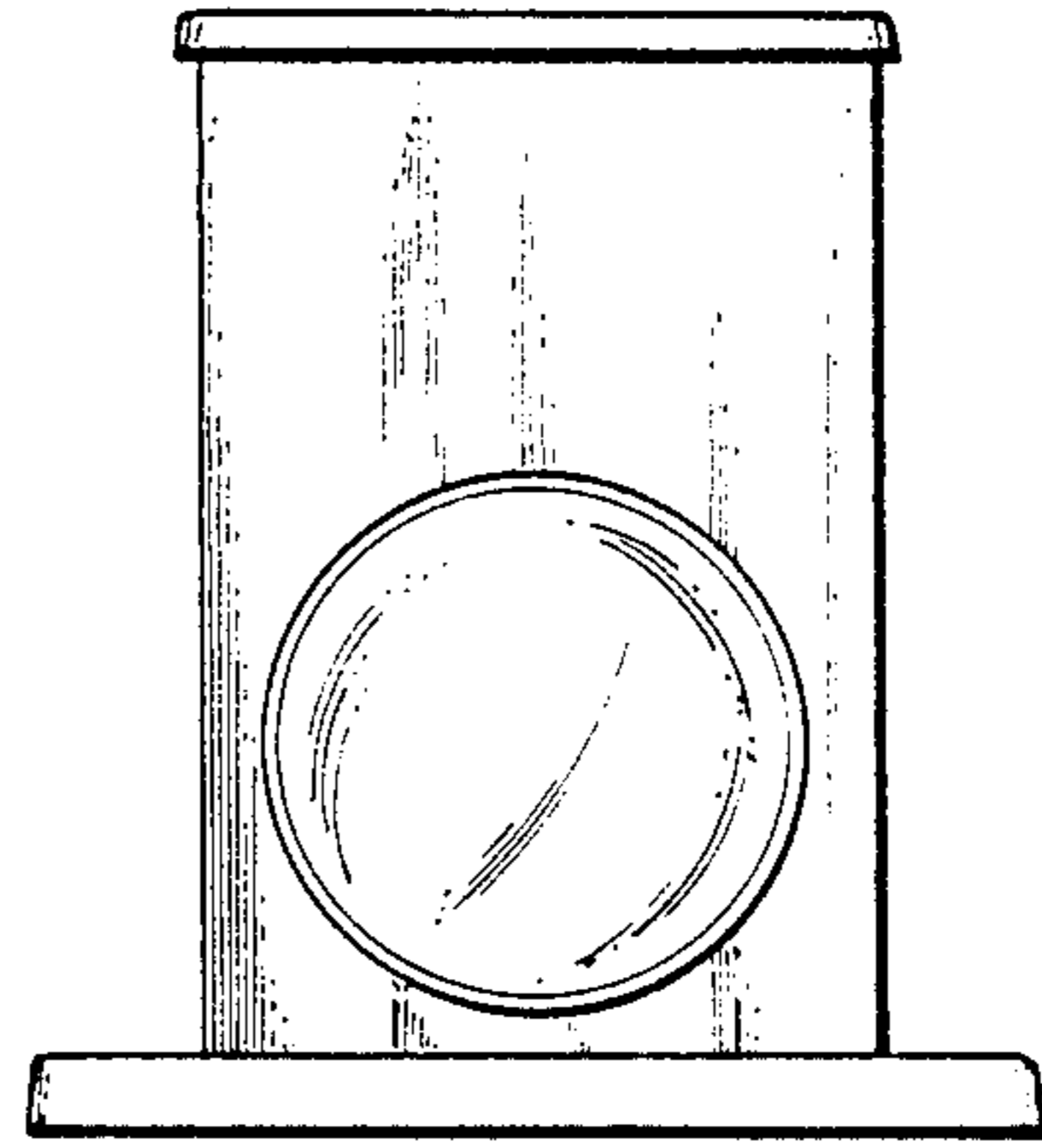


Fig. 3.

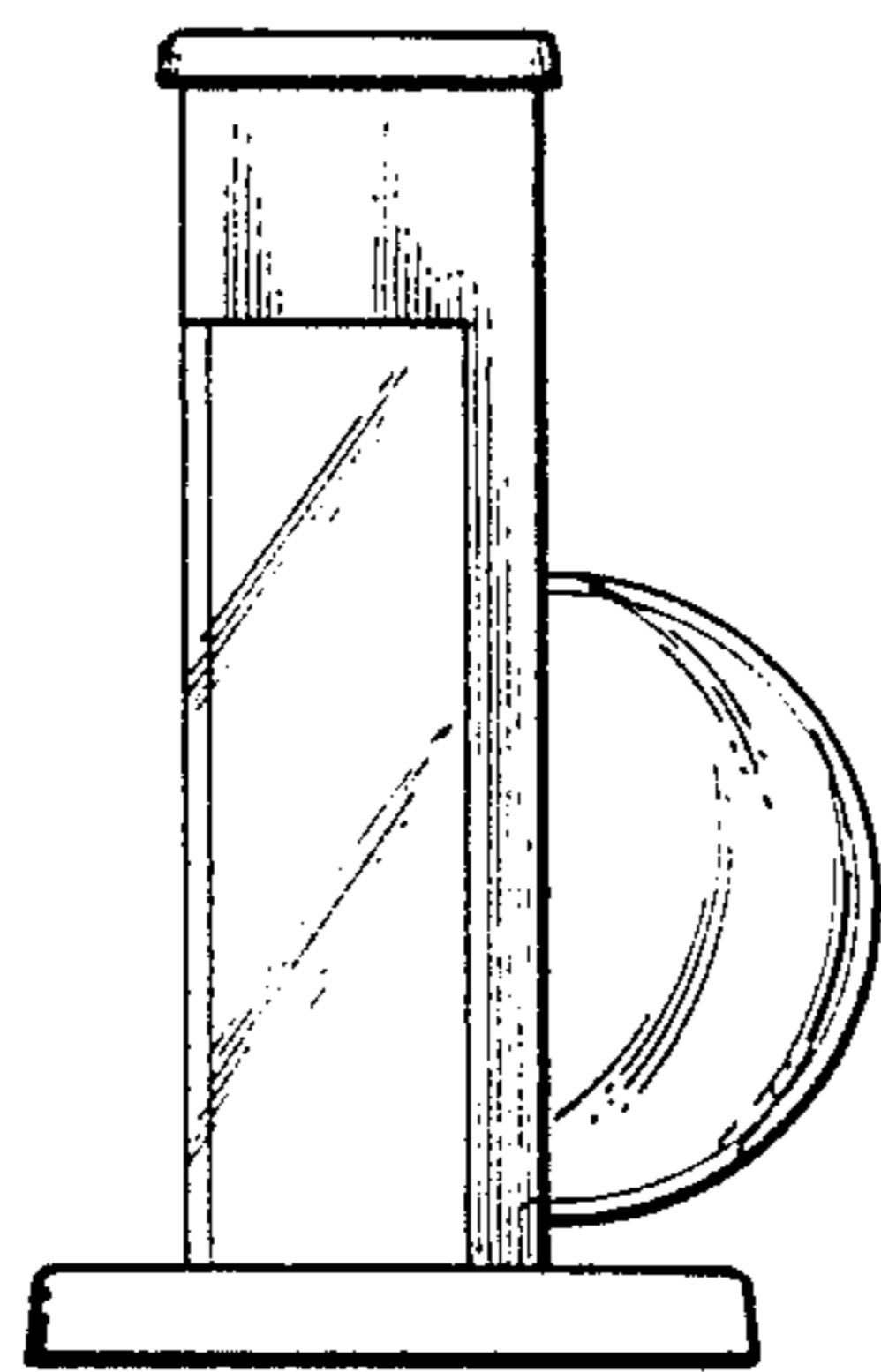


Fig. 4.

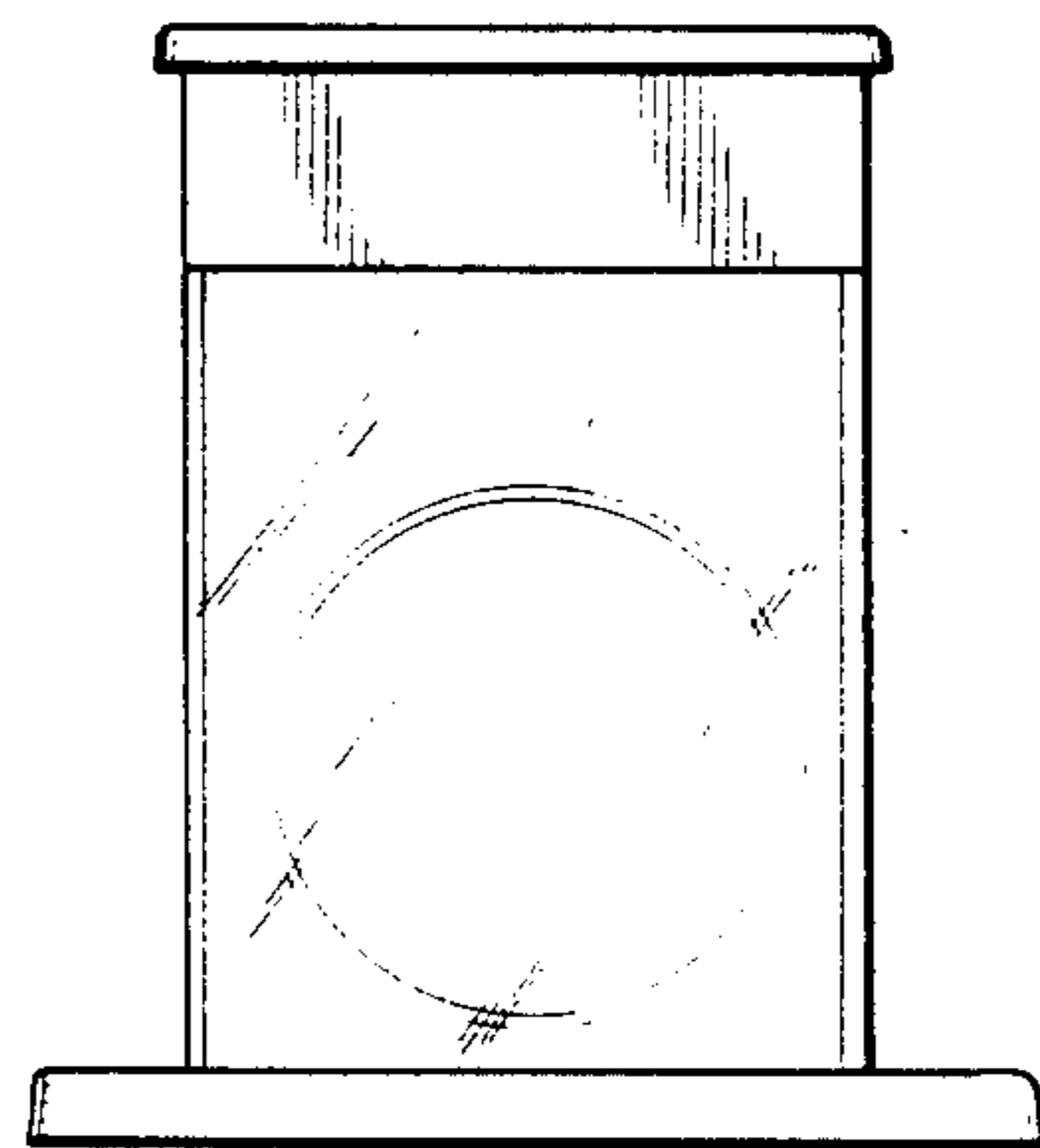


Fig. 5.

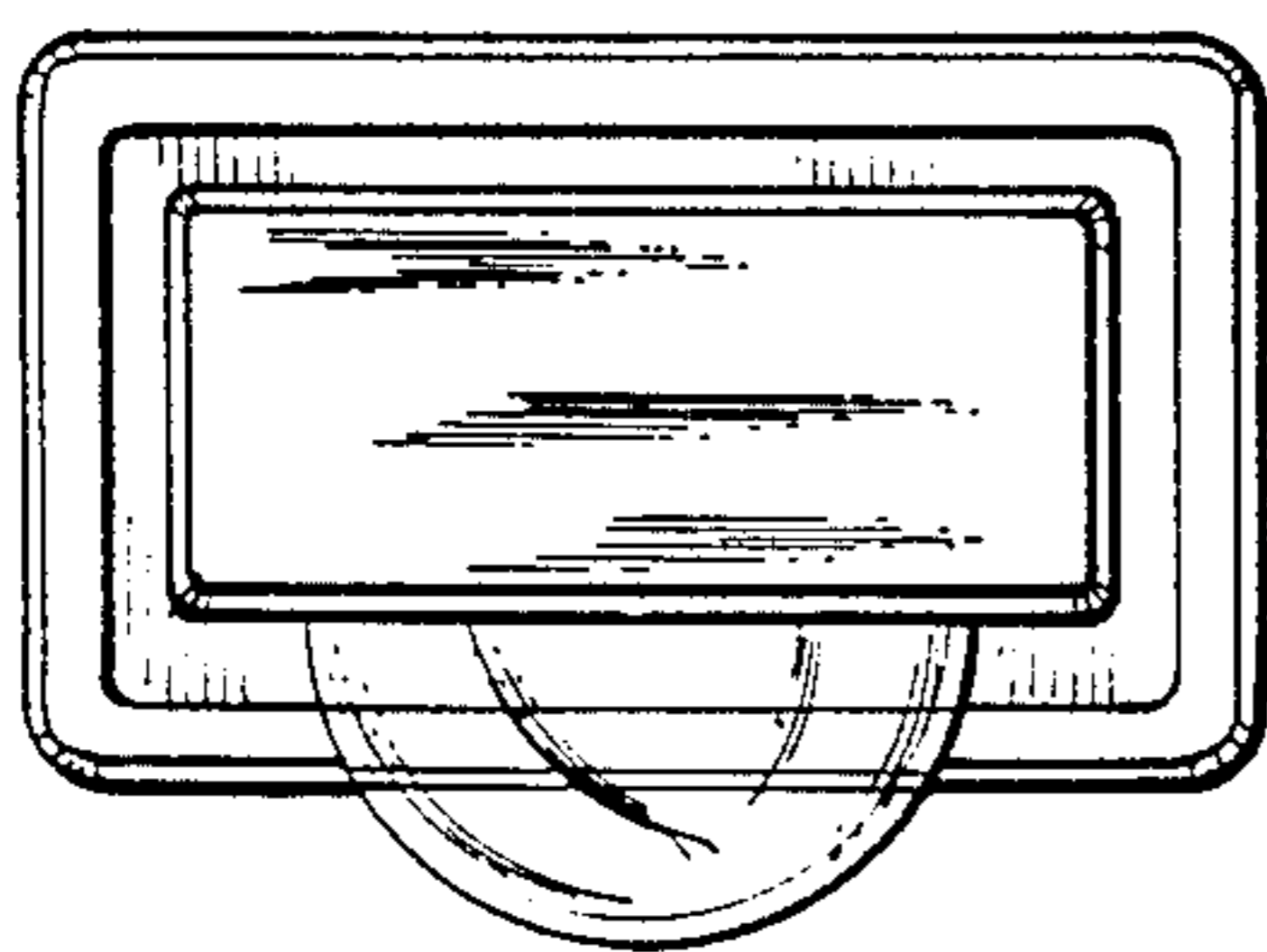


Fig. 6.

