

[54] STOCK WATERING TANK

[75] Inventor: John M. Fuller, Winchester, Va.

[73] Assignee: Rubbermaid Commercial Products, Inc., Winchester, Va.

[\*\*] Term: 14 Years

[21] Appl. No.: 850,361

[22] Filed: Apr. 3, 1986

[52] U.S. Cl. .... D30/132

[58] Field of Search ..... D30/13-17; D32/53, 53.1; 119/51 R, 52 R, 61, 78

[56] References Cited

U.S. PATENT DOCUMENTS

D. 154,226	6/1949	Ackermann	.....	D32/53
D. 193,654	9/1962	Voorhis	.....	D30/16
D. 194,784	3/1963	Voorhis	.....	D30/16
D. 232,743	9/1974	Mangrum	.....	D30/13
D. 289,452	4/1987	Fuller	.....	D30/13

OTHER PUBLICATIONS

Sell sheet—Steel Pipe Top Stock Tanks—Freeland Industries, Inc., P. O. Box 59, Portage W. 53901, date unknown.

“Big Husky” Sell sheet, Klein Manufacturing Co., Burlington, Iowa 52601, date unknown.

Stock Tanks, p. 23, Ideal Livestock Equipment, South Main, Conrad, Iowa 50621, published 1982.

Agstar catalog, p. 21, Universal, P. O. Box 115, Goshen, Indiana, published 1981.

Sell sheet, Penda Corporation, P. O. Box 449, Portage, Wisconsin 53901, date unknown.

Politron sell sheet, Politron, P. O. Box 581, Pittsburgh, Kansas 66762, date unknown.

Primary Examiner—James R. Largen

Attorney, Agent, or Firm—Richard B. O’Planick

[57] CLAIM

The ornamental design for a stock watering tank, as shown and described.

DESCRIPTION

FIG. 1 is a perspective view taken from the top, front and left end of a stock watering tank embodying my new design;

FIG. 2 is a front elevational view thereof;

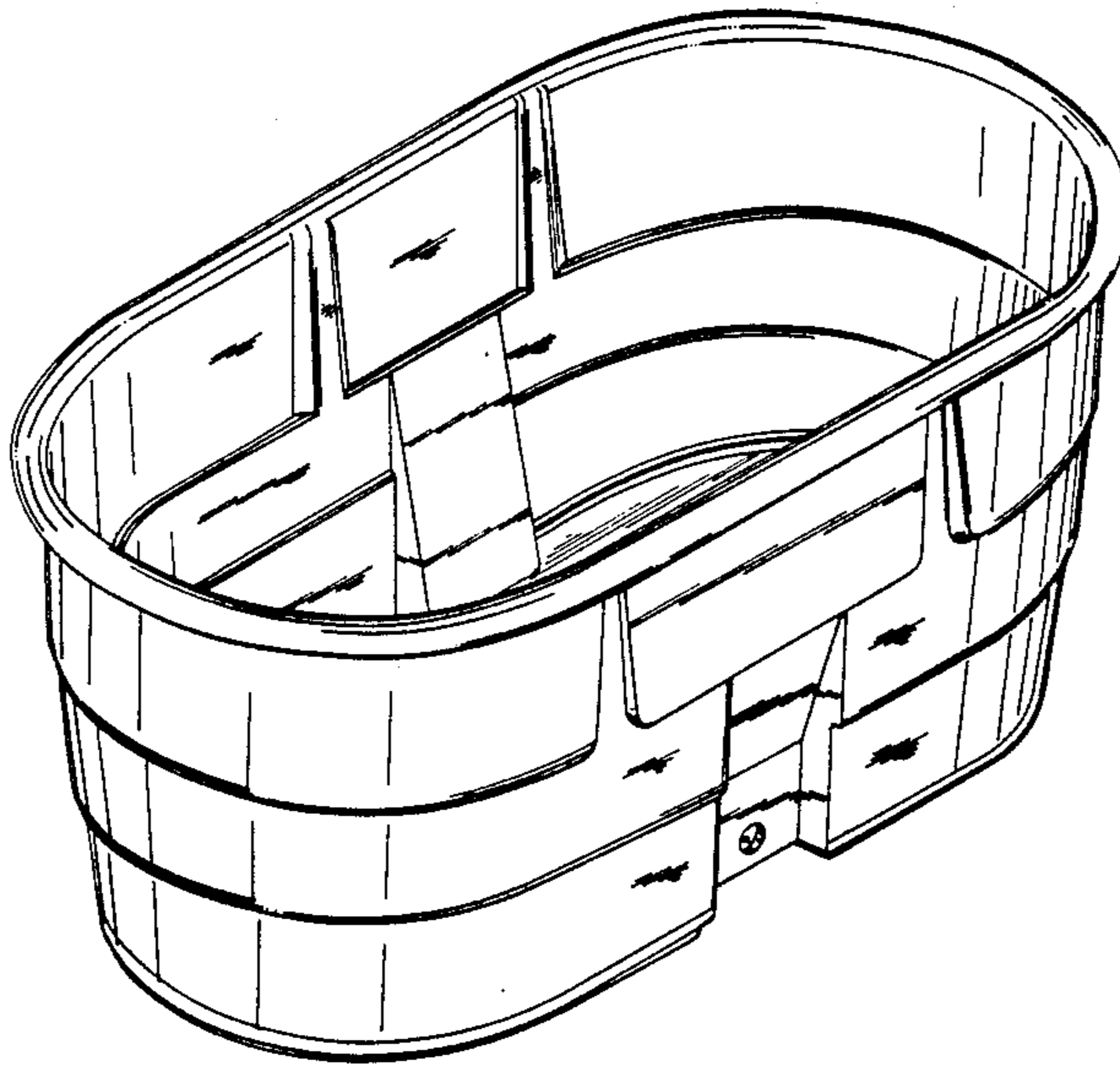
FIG. 3 is a right end elevational view thereof;

FIG. 4 is a top plan view thereof.

FIG. 5 is a bottom plan view thereof.

FIG. 6 is a cross sectional view taken on line 6—6 of FIG. 3;

FIG. 7 is a cross sectional view taken on line 7—7 of FIG. 2.



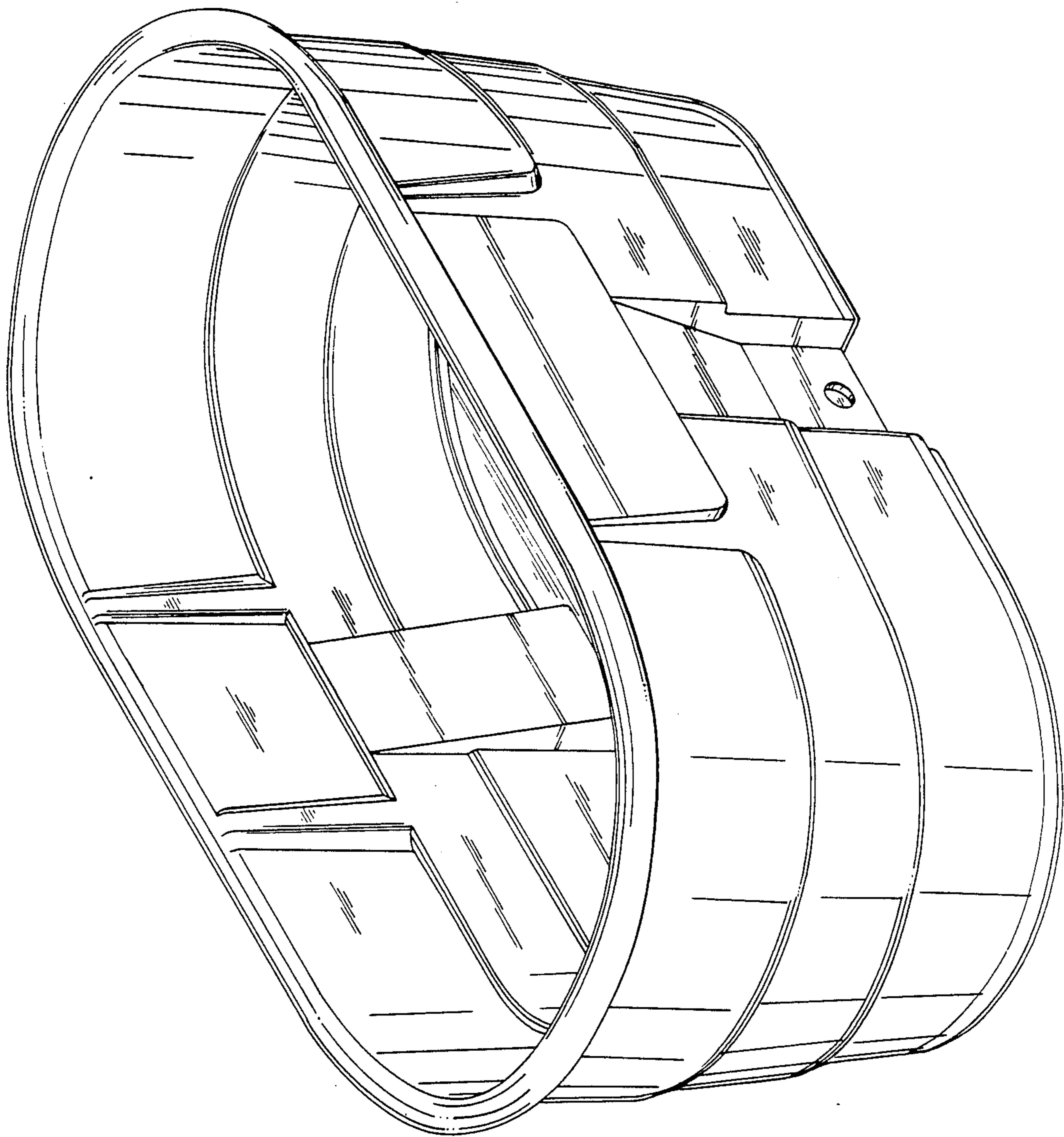
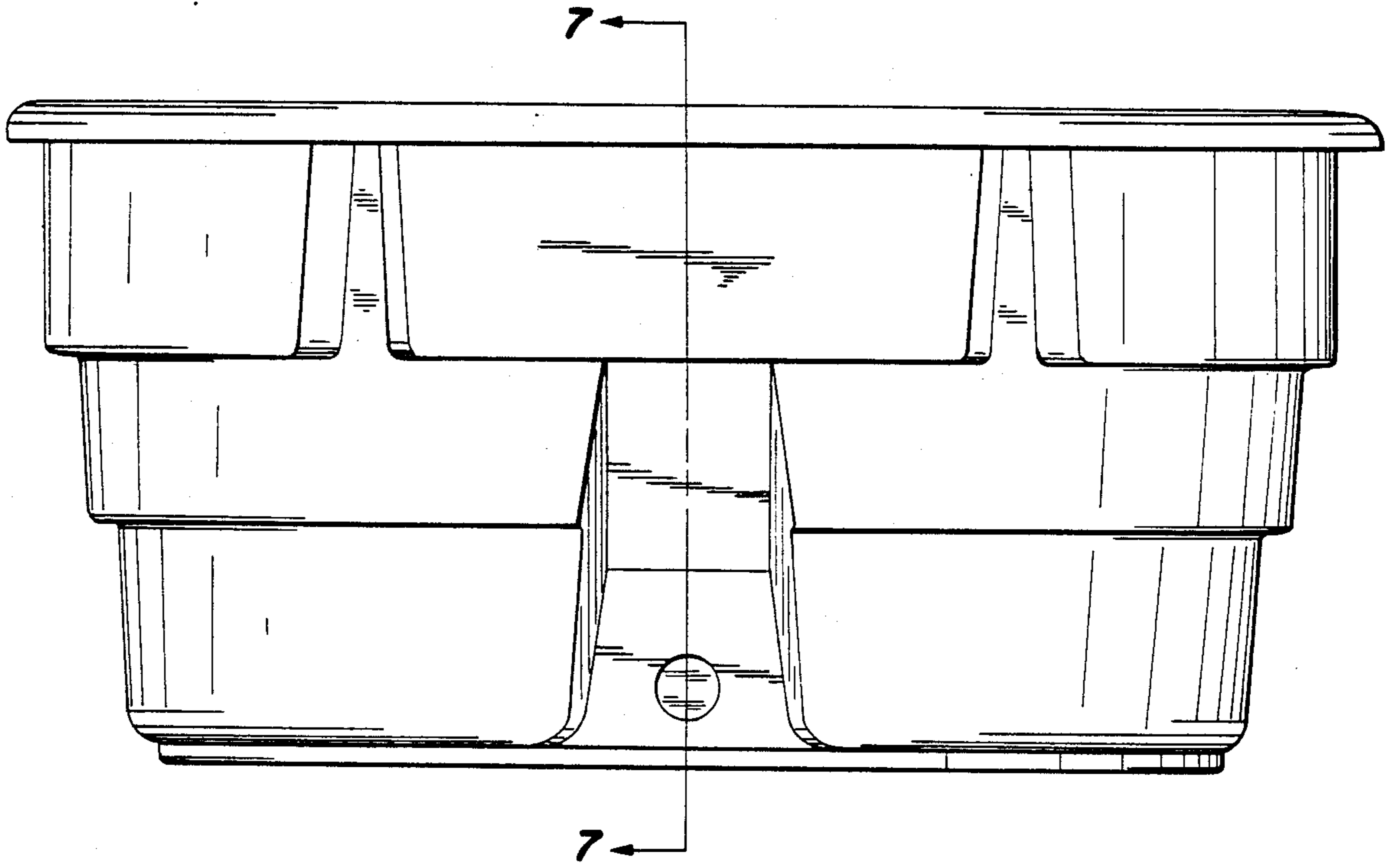
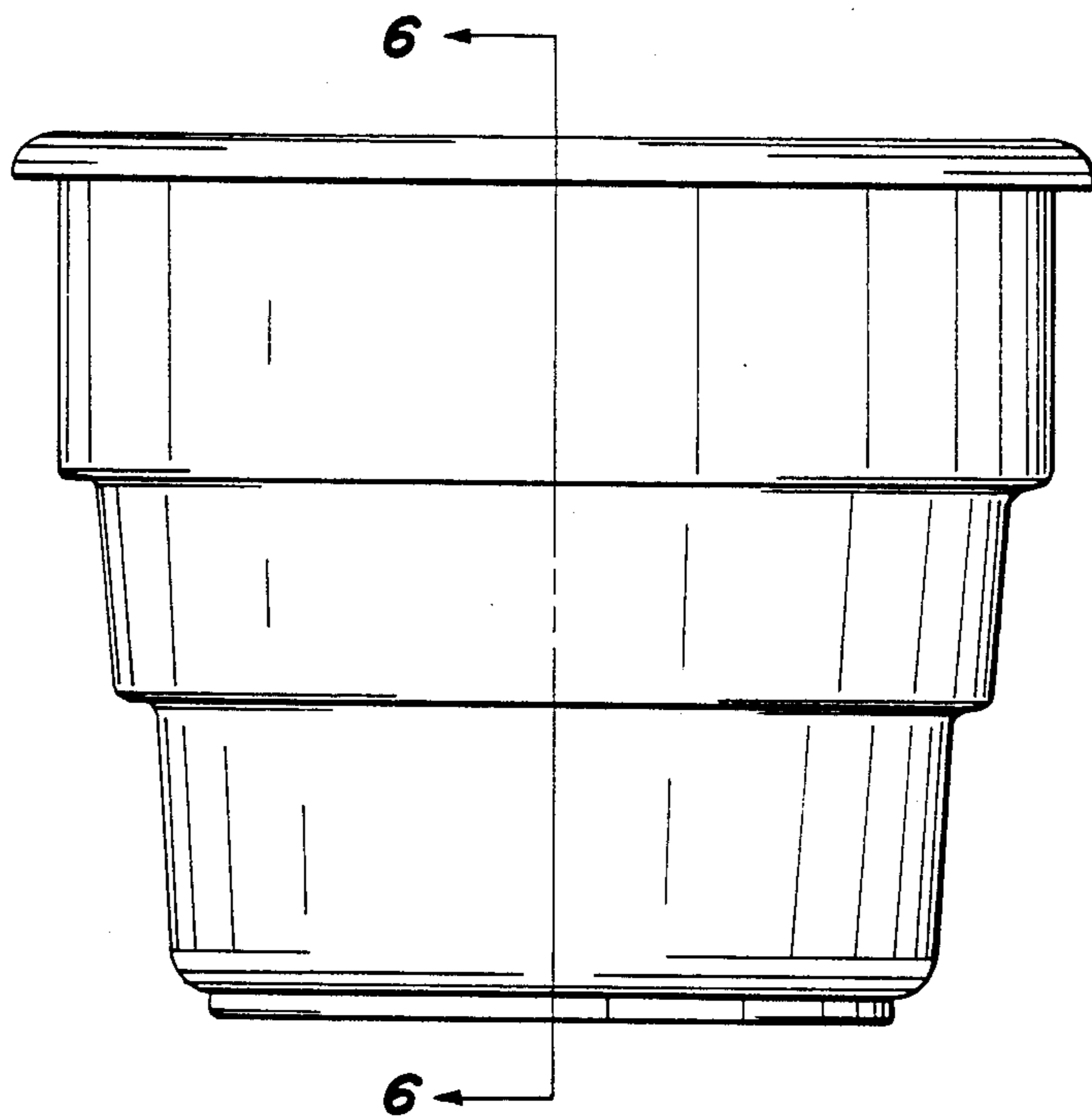


Fig. 1

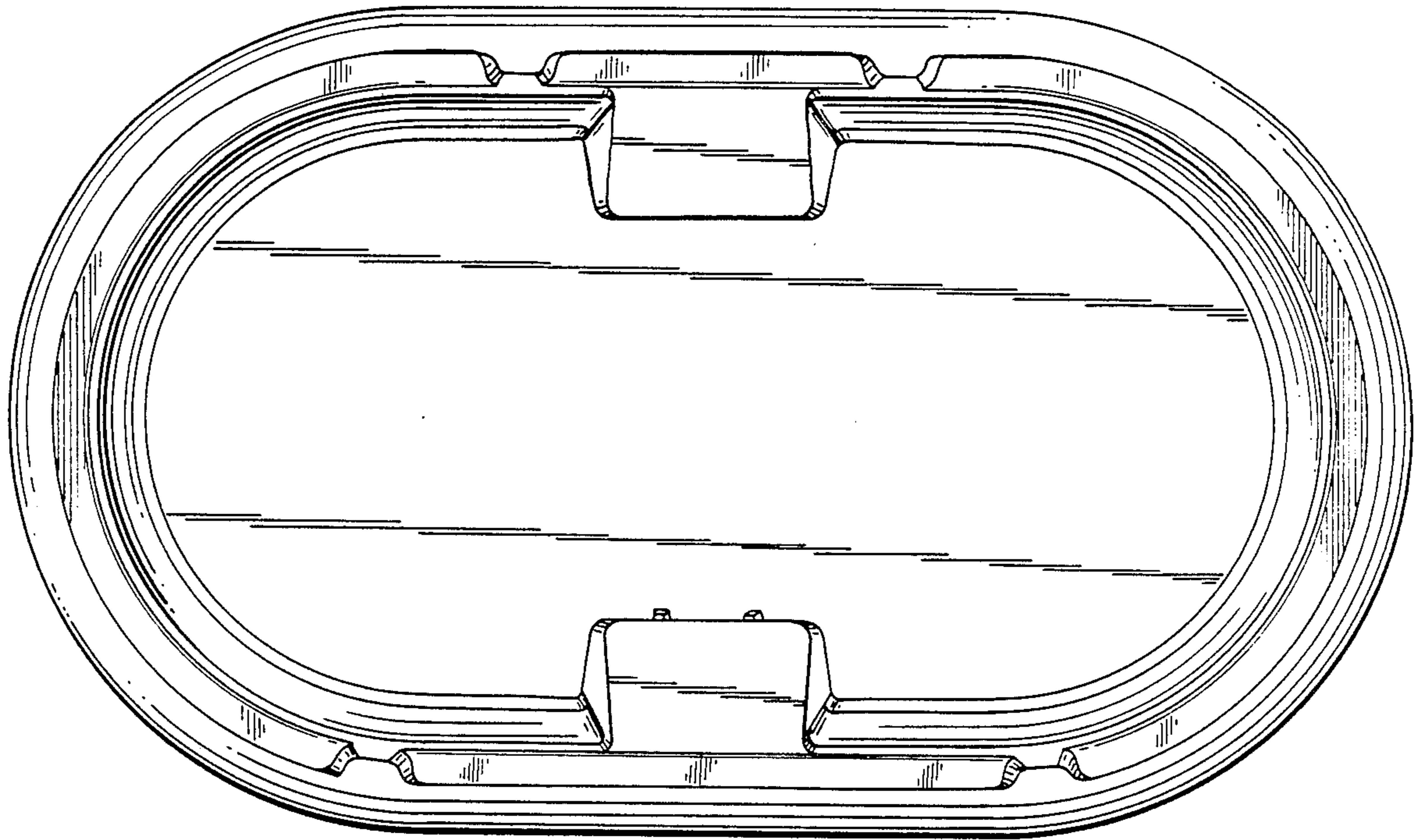


*Fig. 2*

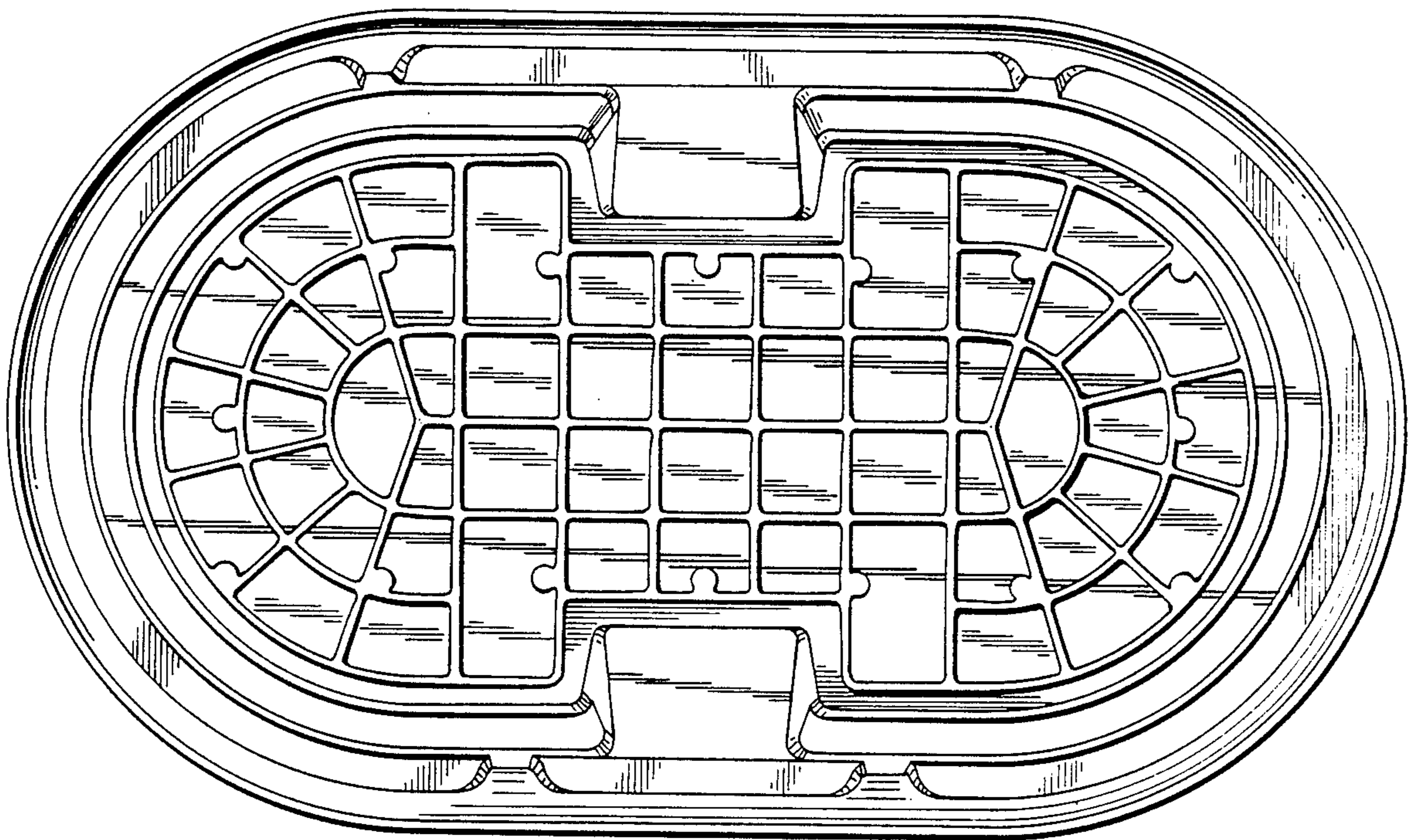


*Fig. 3*

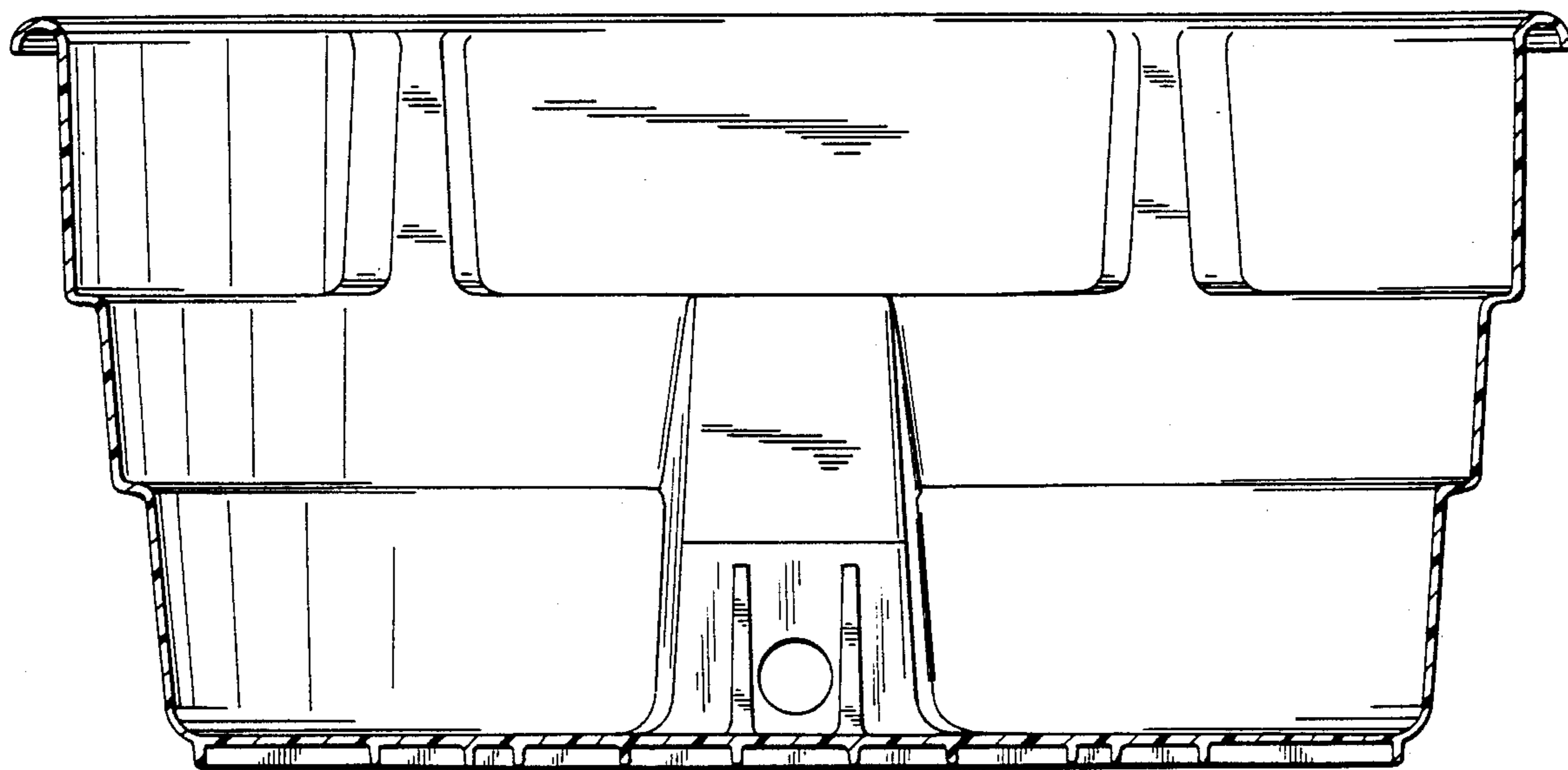




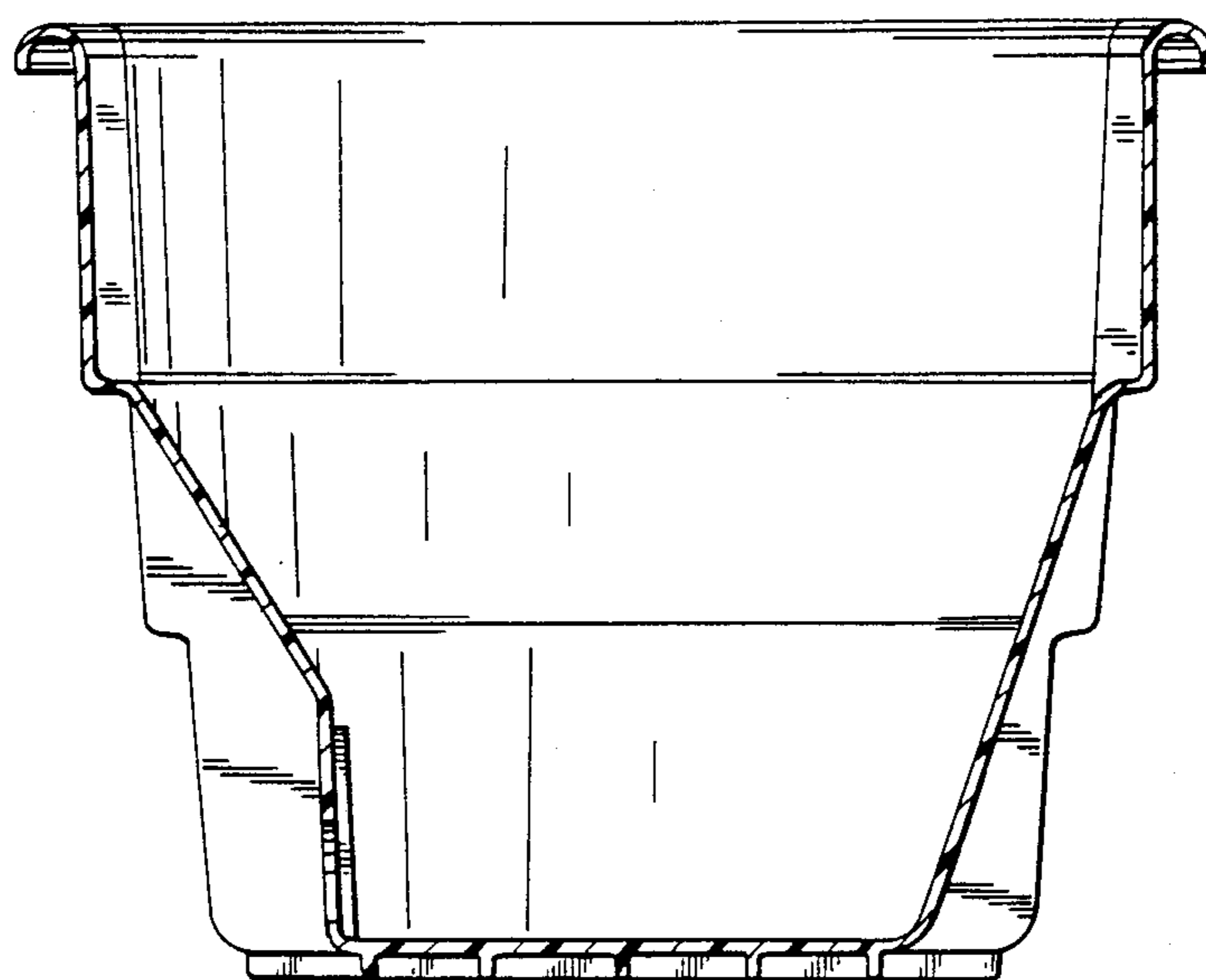
*Fig. 4*



*Fig. 5*



*Fig. 6*



*Fig. 7*