

[54] HAIR CURLING IRON

[75] Inventors: Yasusuke Seki, Tokyo; Masaru Komiya, Kodaira; Maki Fujisawa; Misako Takahashi, both of Tokyo, all of Japan

[73] Assignee: Kyusyu Hitachi Maxell, Ltd., Tokyo, Japan

[**] Term: 14 Years

[21] Appl. No.: 813,625

[22] Filed: Dec. 26, 1985

[30] Foreign Application Priority Data

Jul. 25, 1985 [JP] Japan 60-31940

[52] U.S. Cl. D28/35

[58] Field of Search D28/9, 10, 12-20, D28/35, 25, 26, 29; 212/222, 225; 132/7, 9, 32 R, 37 R, 37 A; 34/96-100

[56] References Cited

U.S. PATENT DOCUMENTS

D. 255,270 6/1980 Tomaro D28/35

D. 281,728 12/1985 Sherman D28/35
4,075,458 2/1978 Moyer 132/37 A
4,636,613 1/1987 De La Morandiere et al. ... 34/97 X

OTHER PUBLICATIONS

Housewares, Jul. 1-7, 1978, p. 62-Gillette Supercurl.

Primary Examiner—Louis S. Zarfes

Attorney, Agent, or Firm—Antonelli, Terry & Wands

[57] CLAIM

The ornamental design for a hair curling iron, as shown and described.

DESCRIPTION

FIG. 1 is a front, bottom and left side perspective view of a hair curling iron showing our new design; FIG. 2 is a front elevational view thereof; FIG. 3 is a left side elevational view thereof; FIG. 4 is a right side elevational view thereof; FIG. 5 is a top plan view thereof; FIG. 6 is a bottom plan view thereof; FIG. 7 is a rear elevational view thereof; and FIG. 8 is a rear, top and left side elevation view thereof in the folded condition.

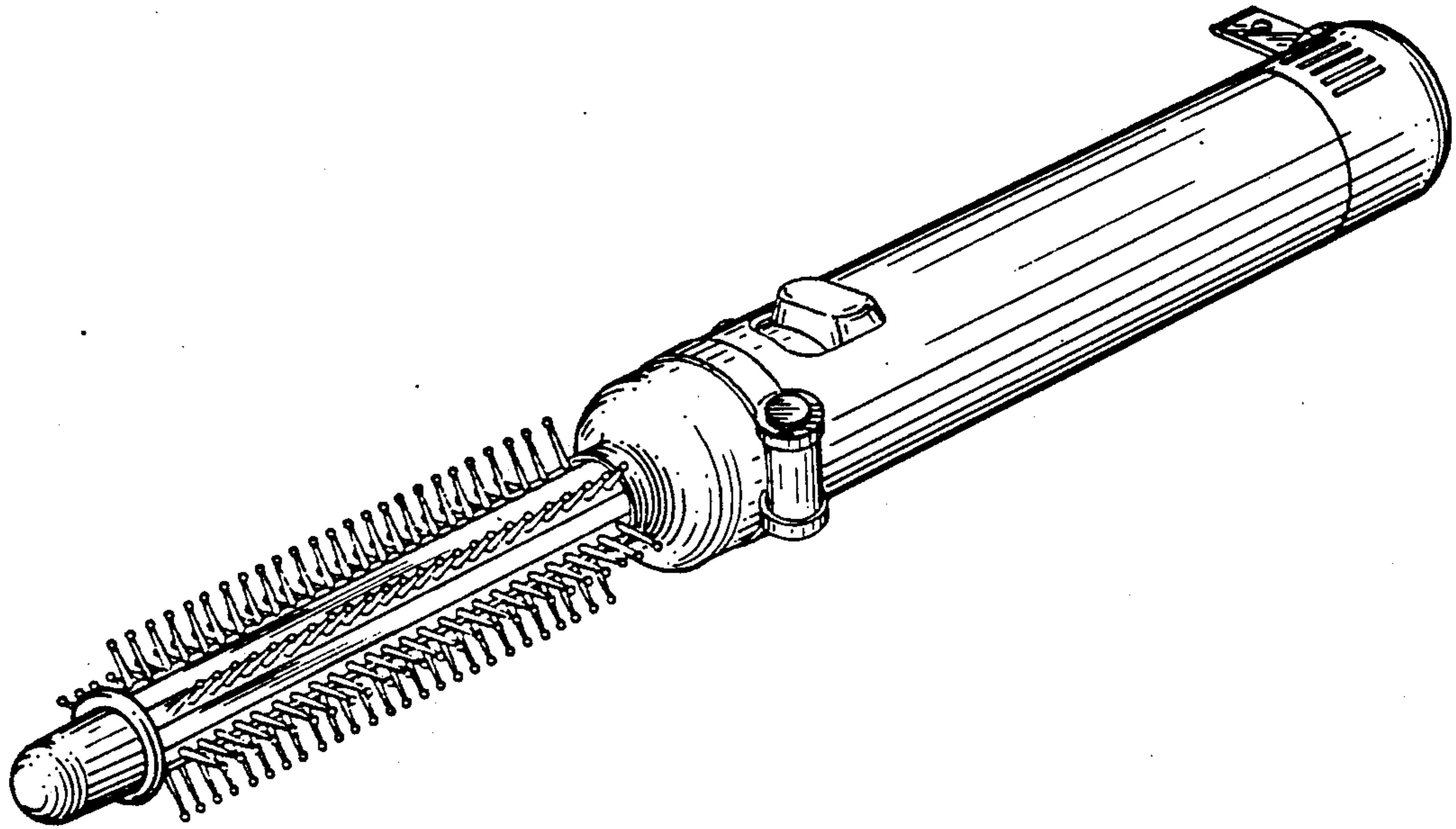


FIG. 1

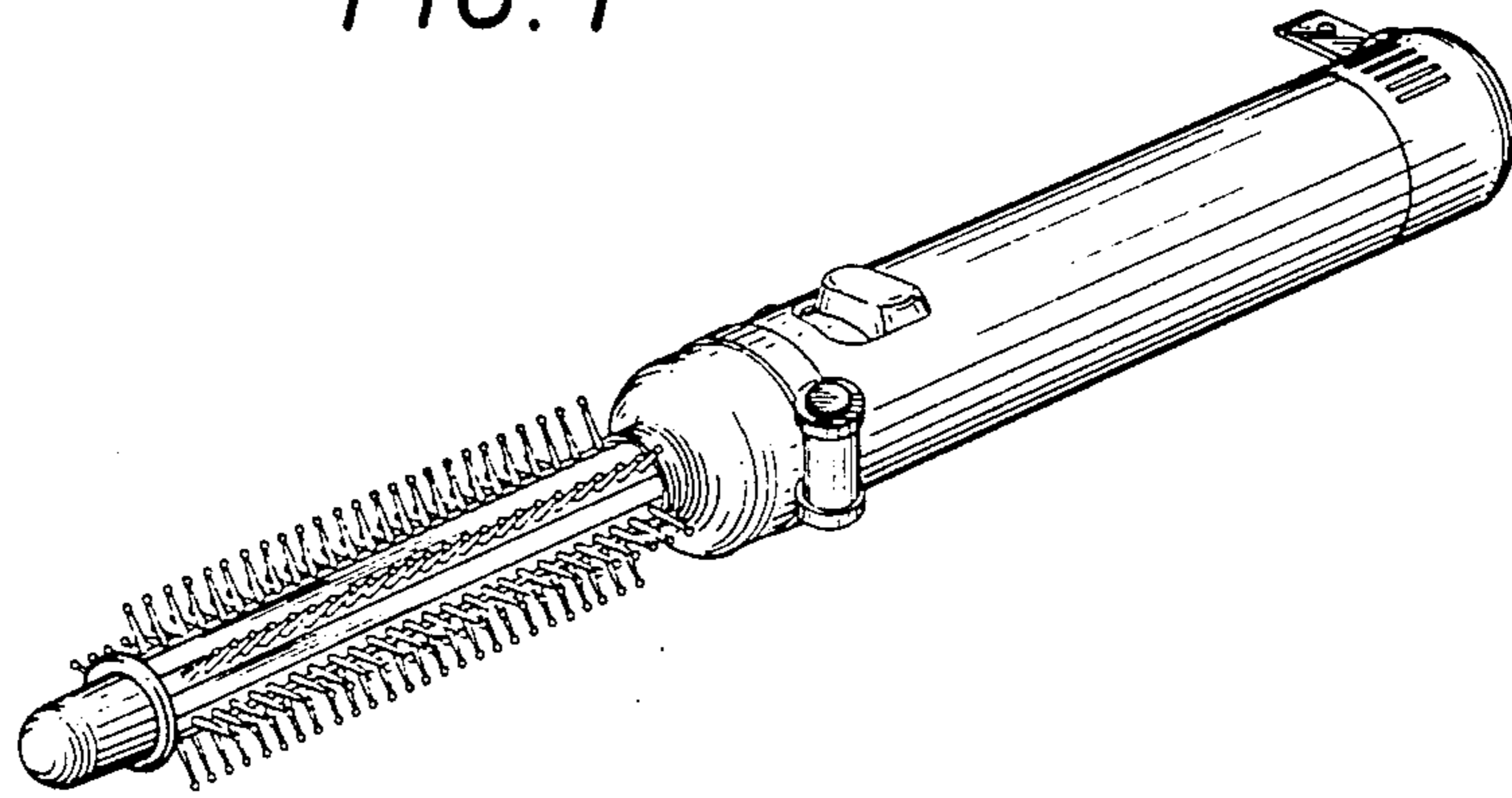


FIG. 2

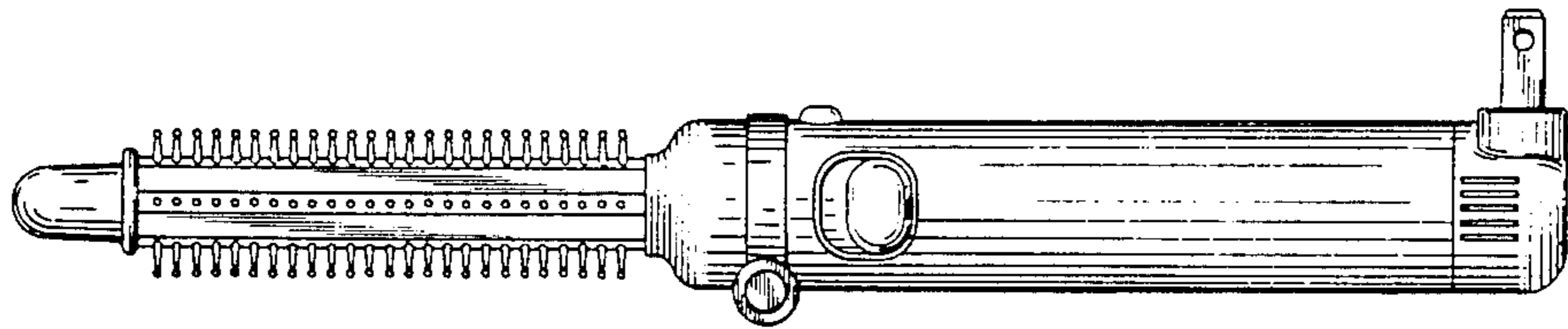


FIG. 3

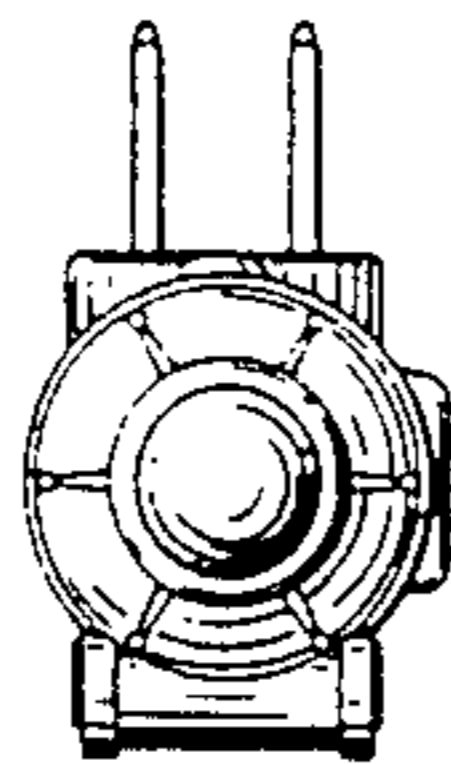


FIG. 4

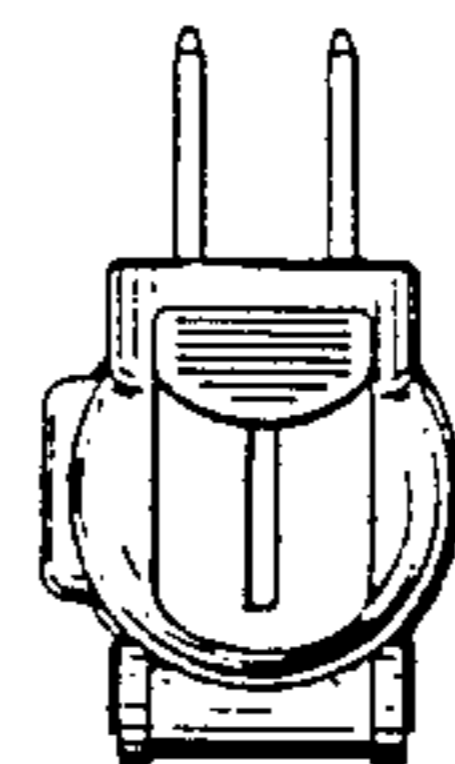


FIG. 5

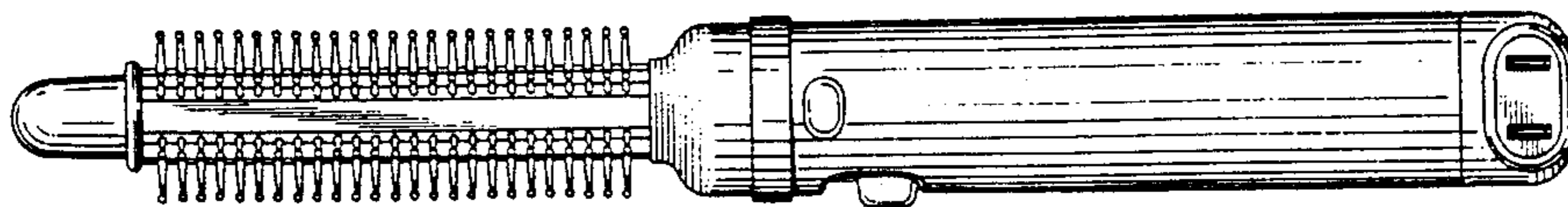


FIG. 6

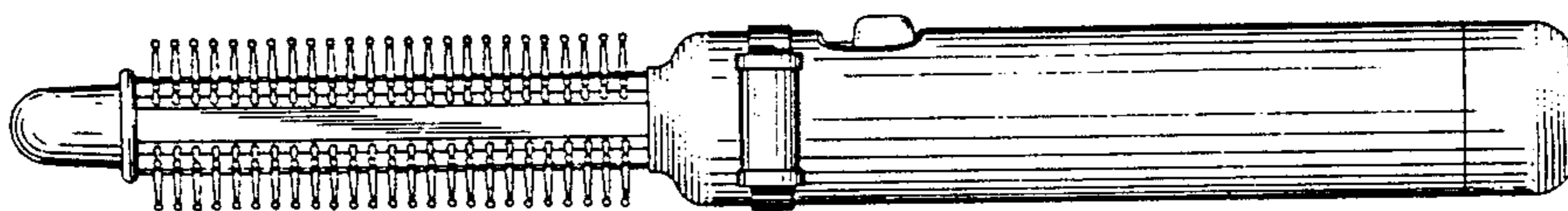


FIG. 7

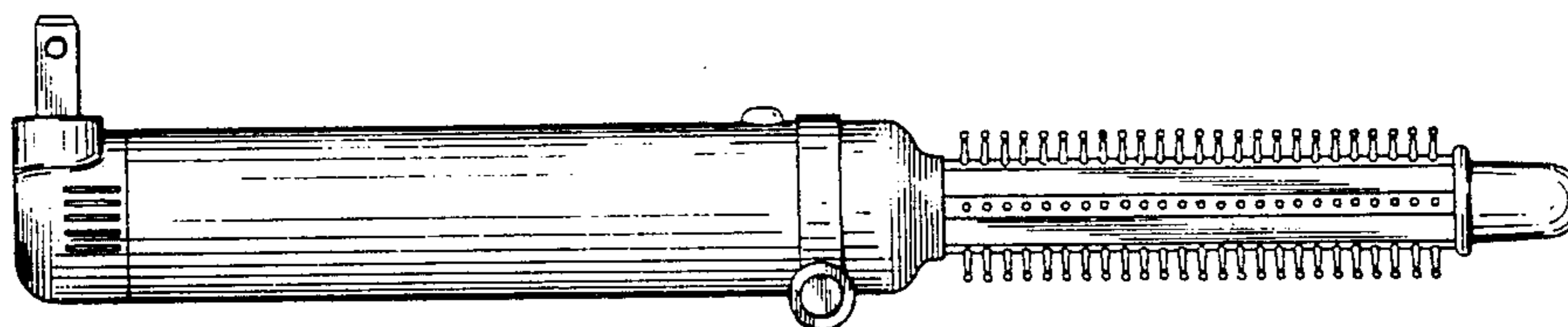


FIG. 8

