

[54] WALL LAMP

[76] Inventor: Warren Platner, Foote's Bridge Rd., Guilford, Conn. 06437

[**] Term: 14 Years

[21] Appl. No.: 755,566

[22] Filed: Jul. 16, 1985

[52] U.S. Cl. D26/86; D26/80

[58] Field of Search D26/72-92; 362/404, 405, 406, 408, 432, 362, 307, 311, 336

[56] References Cited

U.S. PATENT DOCUMENTS

D. 158,917	6/1950	Wince	D26/85
D. 216,830	3/1970	McNamara, Jr.	D26/85
1,900,436	3/1933	Dourgnon	362/336 X

Primary Examiner—Susan J. Lucas
Attorney, Agent, or Firm—Michael Ebert

[57] CLAIM

The ornamental design for a wall lamp, as shown and described.

DESCRIPTION

FIG. 1 is a perspective view of a wall lamp showing my new design;

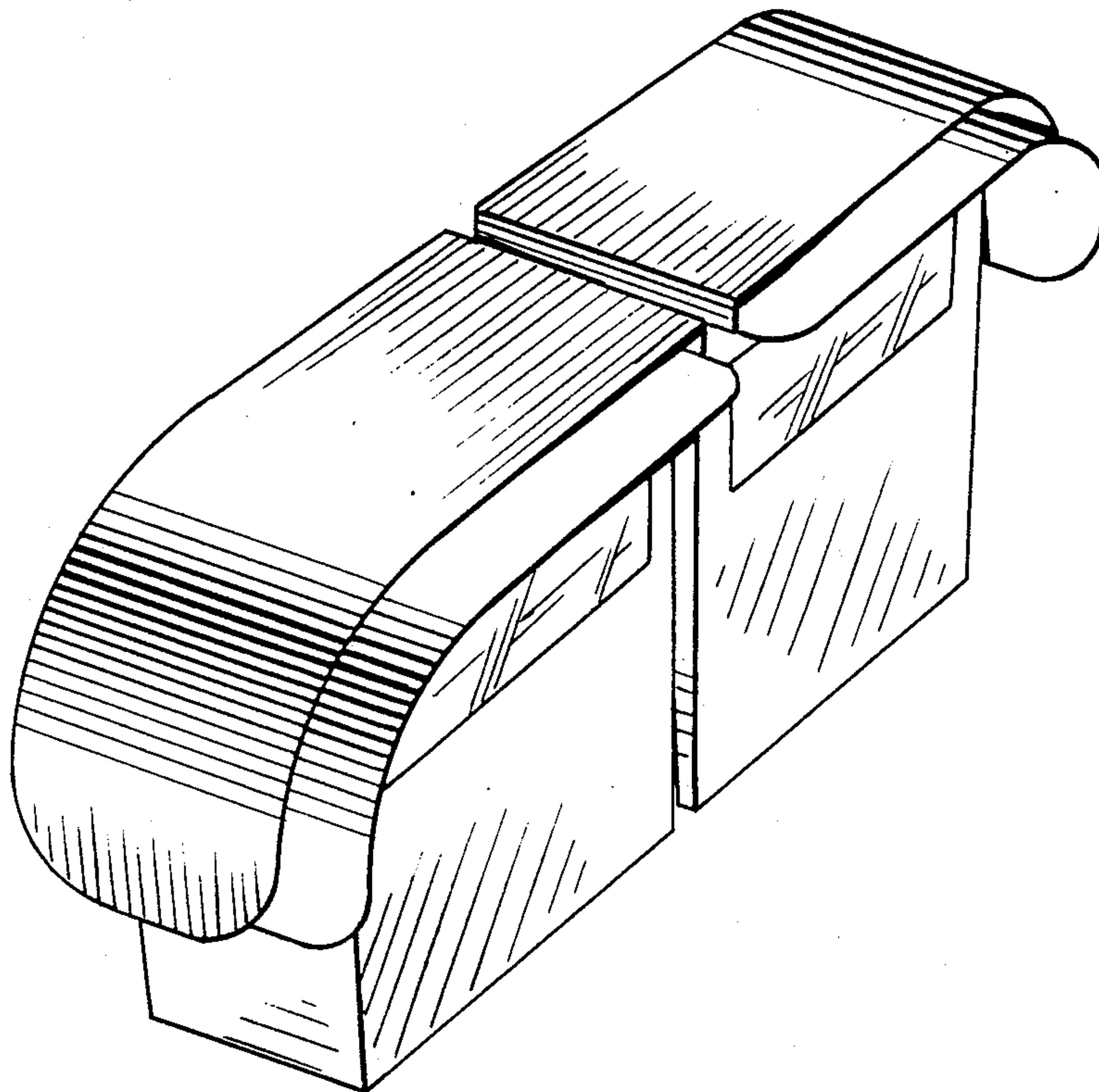
FIG. 2 is a side elevational view thereof on an enlarged scale, the opposite side being a mirror image;

FIG. 3 is a top plan view thereof on an enlarged scale;

FIG. 4 is a bottom plan view thereof on an enlarged scale;

FIG. 5 is a front elevational view thereof on an enlarged scale;

FIG. 6 is a rear elevational view thereof on an enlarged scale.



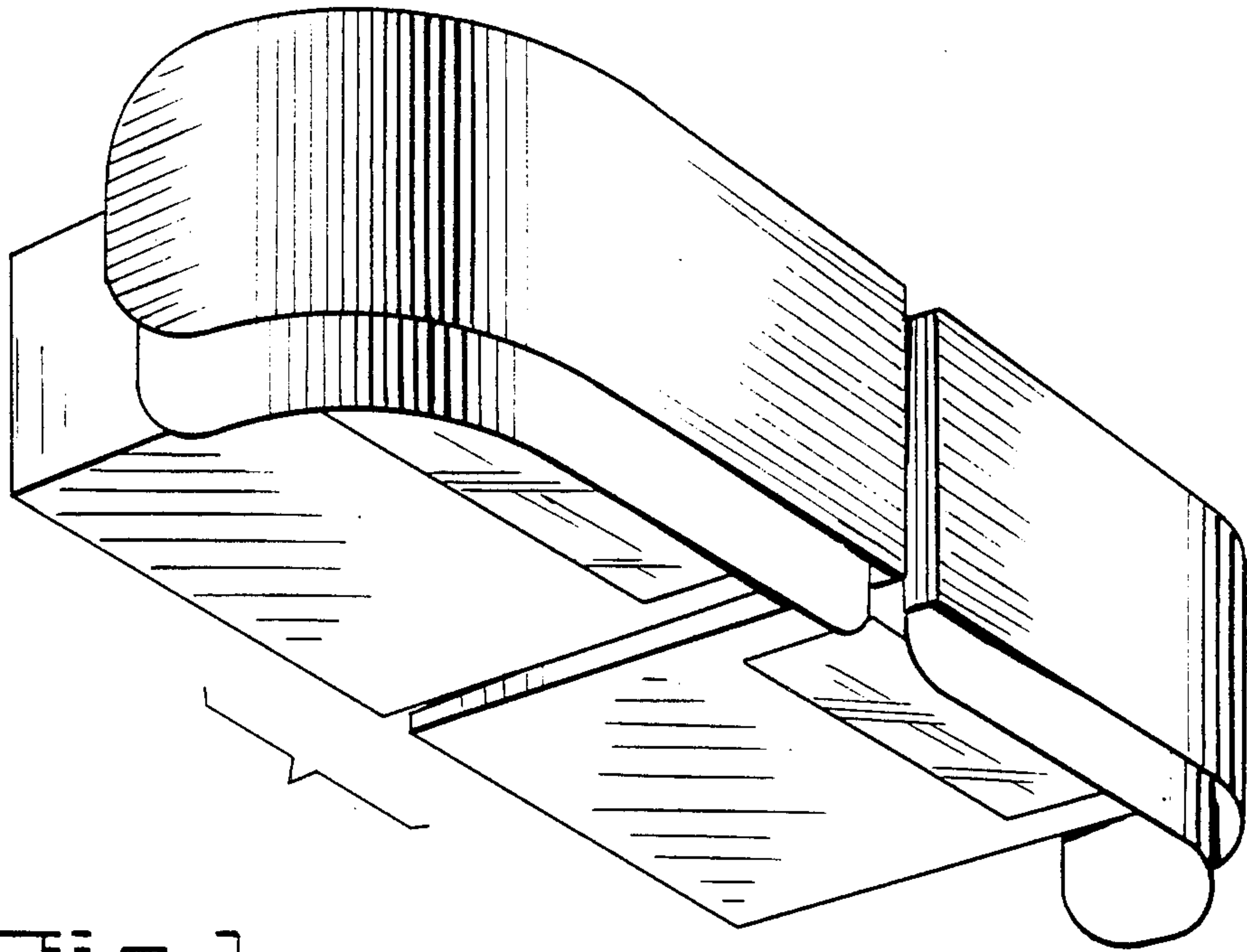


Fig. 1.

Fig. 2.

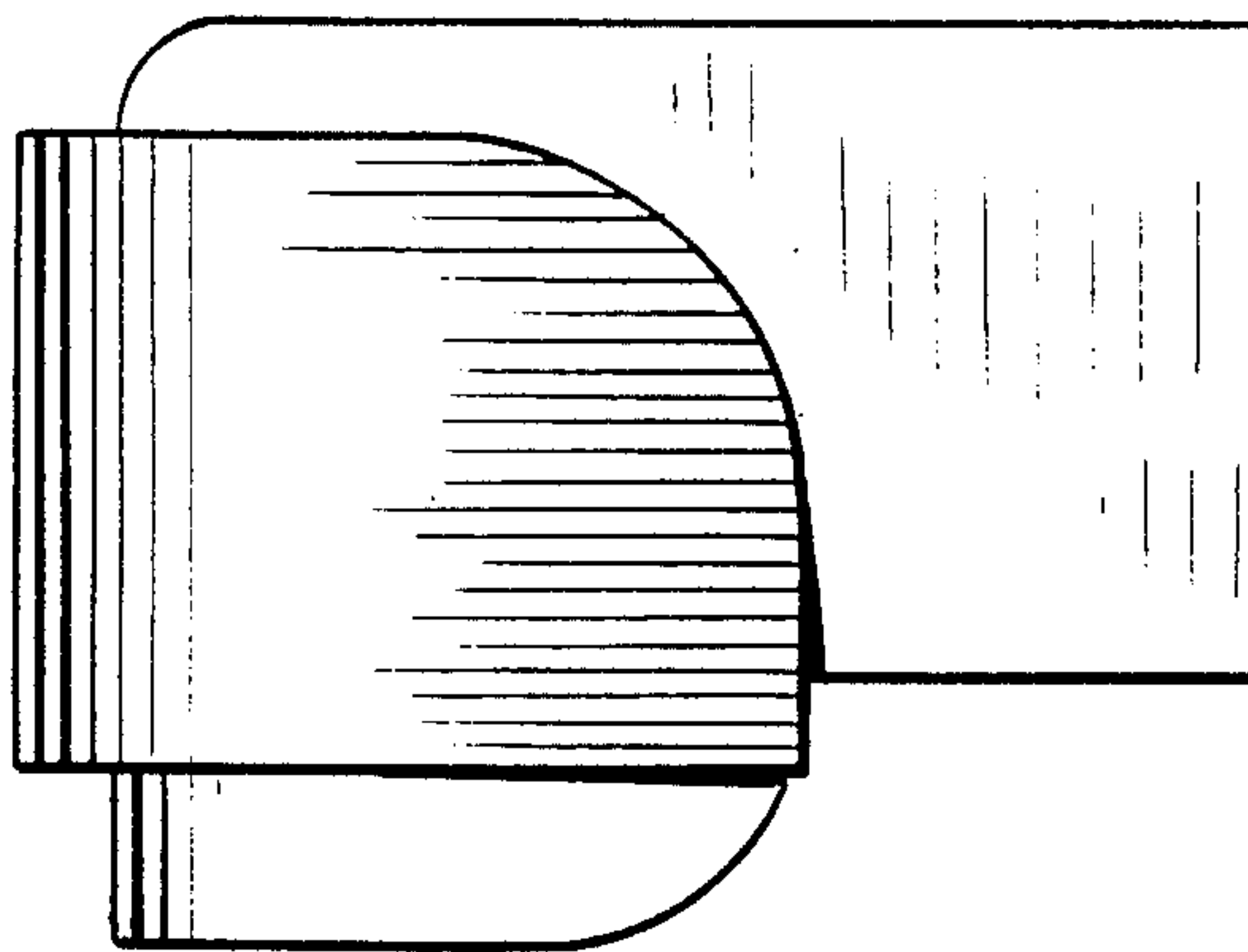


Fig. 3.

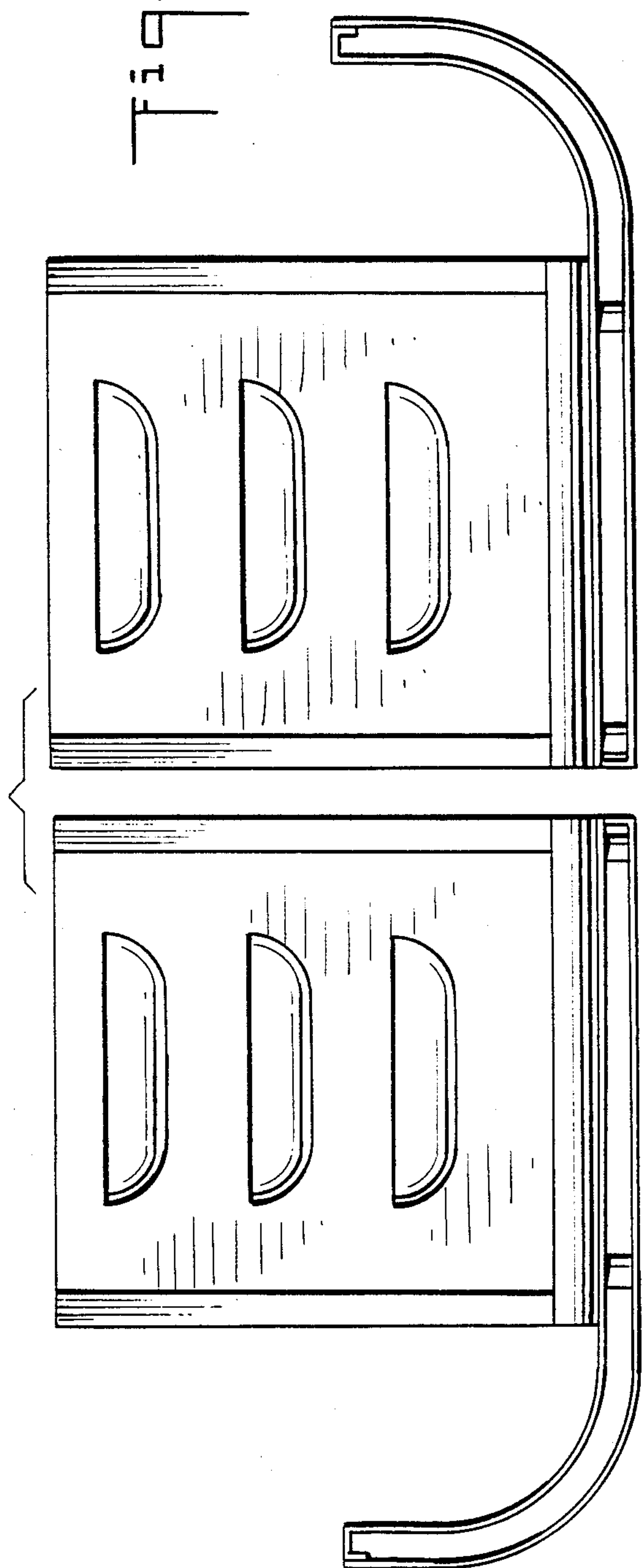


Fig. 4.

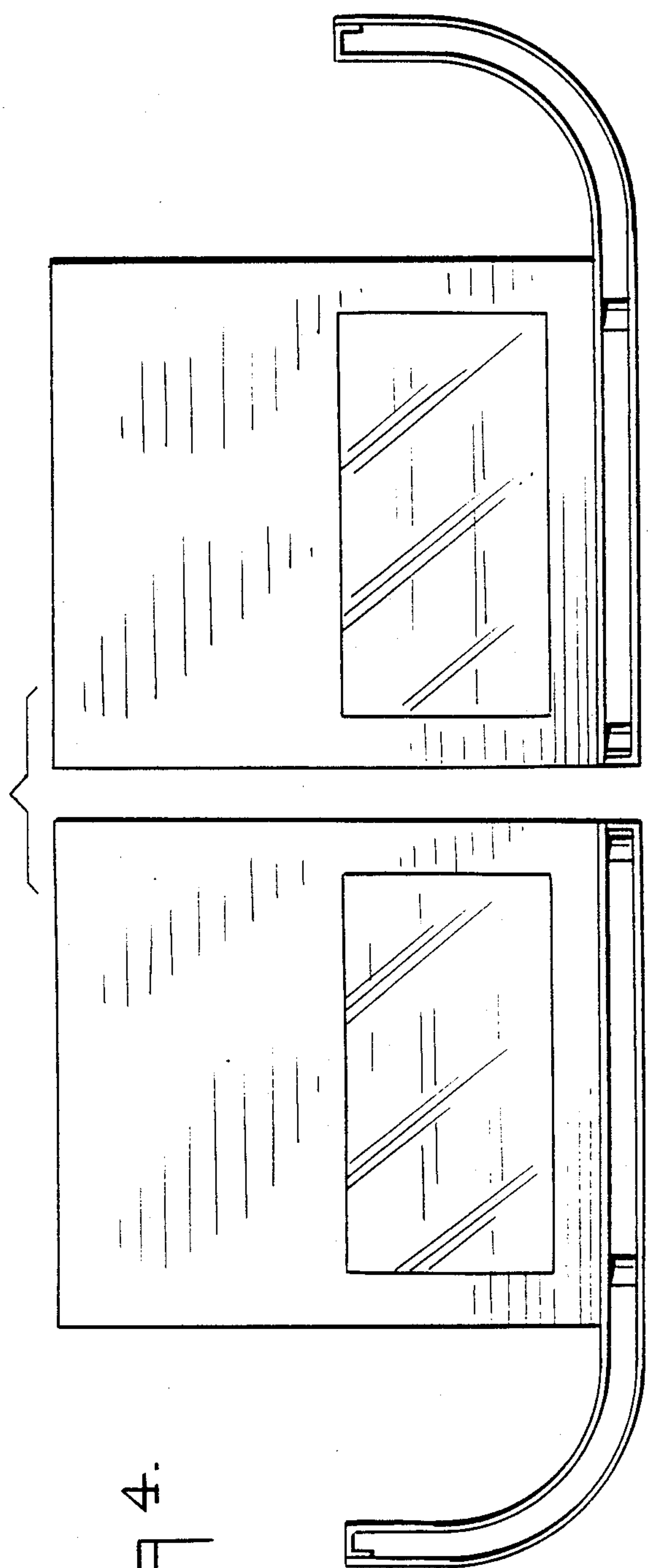


Fig. 5.

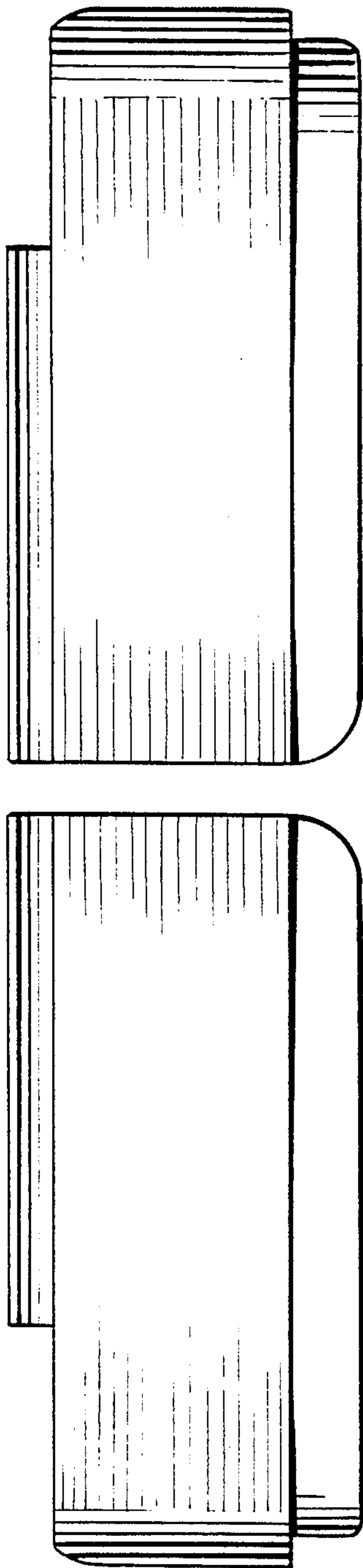


Fig. 6.

