

[54] VAPORIZER BASE FOR A FACIAL SAUNA OR THE LIKE

[75] Inventor: Michael W. Young, Flushing, N.Y.

[73] Assignee: Bernard Frank, Miami Beach, Fla.

[**] Term: 14 Years

[21] Appl. No.: 895,073

[22] Filed: Aug. 11, 1986

[52] U.S. Cl. D23/360

[58] Field of Search D23/146-150, D23/270; 98/30, 105, 109; 55/122; 219/231, 271, 362; 239/136; 261/DIG. 4, DIG. 48, DIG. 65; 312/31

[56] References Cited

U.S. PATENT DOCUMENTS

- D. 99,729 5/1936 Robinson D23/148
- D. 213,560 3/1969 Luedtke D23/148
- 1,754,971 4/1930 Waigand D23/270 X
- 2,810,167 10/1957 Parks, Sr. D23/148 X

4,571,485 2/1986 Spector 239/136 X
4,675,504 6/1987 Suhajda 239/136 X

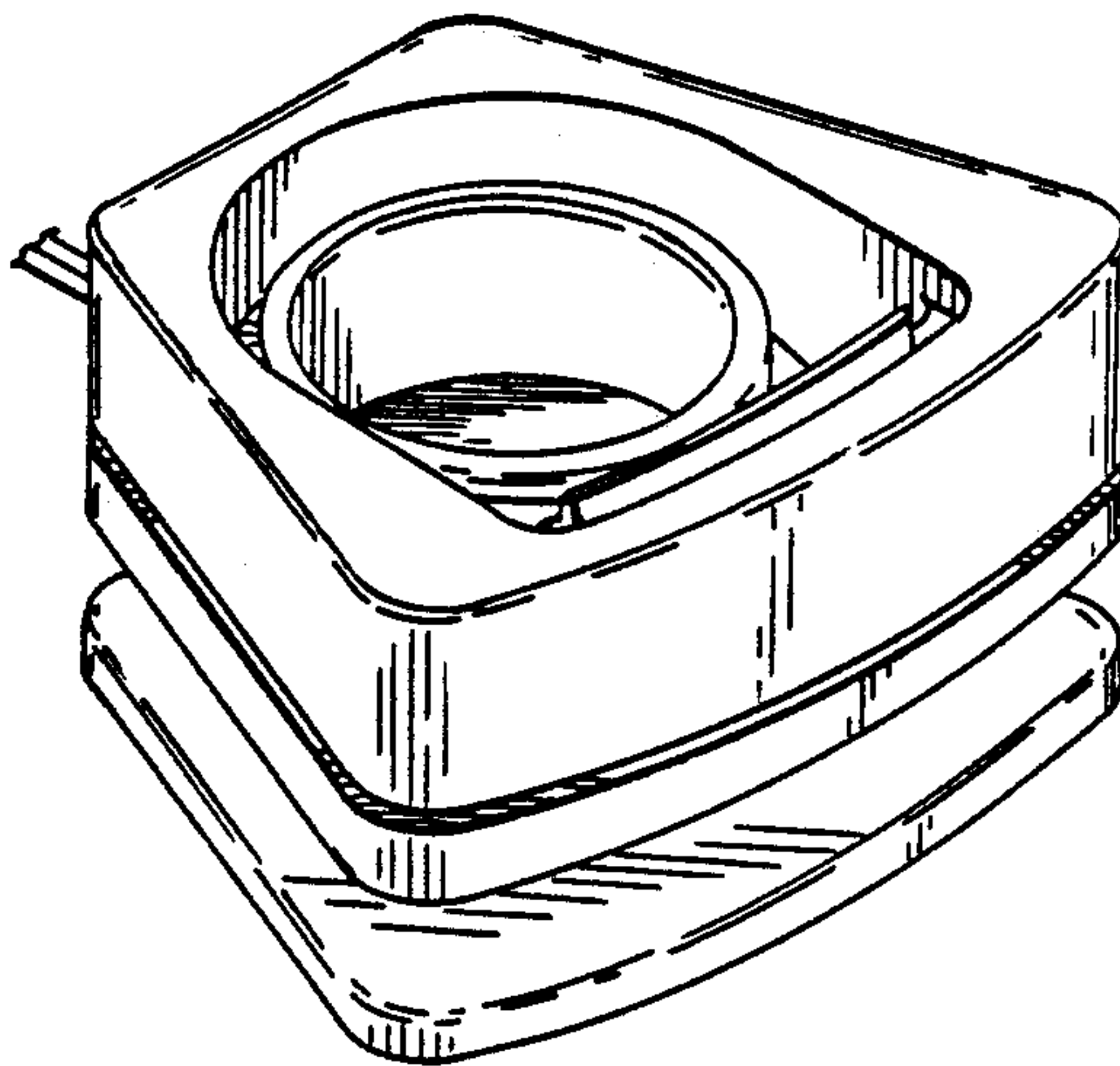
Primary Examiner—Susan J. Lucas
Assistant Examiner—Brian N. Vinson
Attorney, Agent, or Firm—Caesar, Rivise, Bernstein, Cohen & Pokotilow, Ltd.

[57] CLAIM

The ornamental design for a vaporizer base for a facial sauna or the like, substantially as shown and described.

DESCRIPTION

FIG. 1 is a top, front perspective view of a vaporizer base for a facial sauna or the like showing my new design, the cord element being shown broken-away to indicate indeterminate length;
FIG. 2 is a front elevational view thereof;
FIG. 3 is a right side elevational view thereof, the left side being identical in appearance;
FIG. 4 is a rear elevational view;
FIG. 5 is a top plan view thereof; and
FIG. 6 is a bottom plan view thereof.



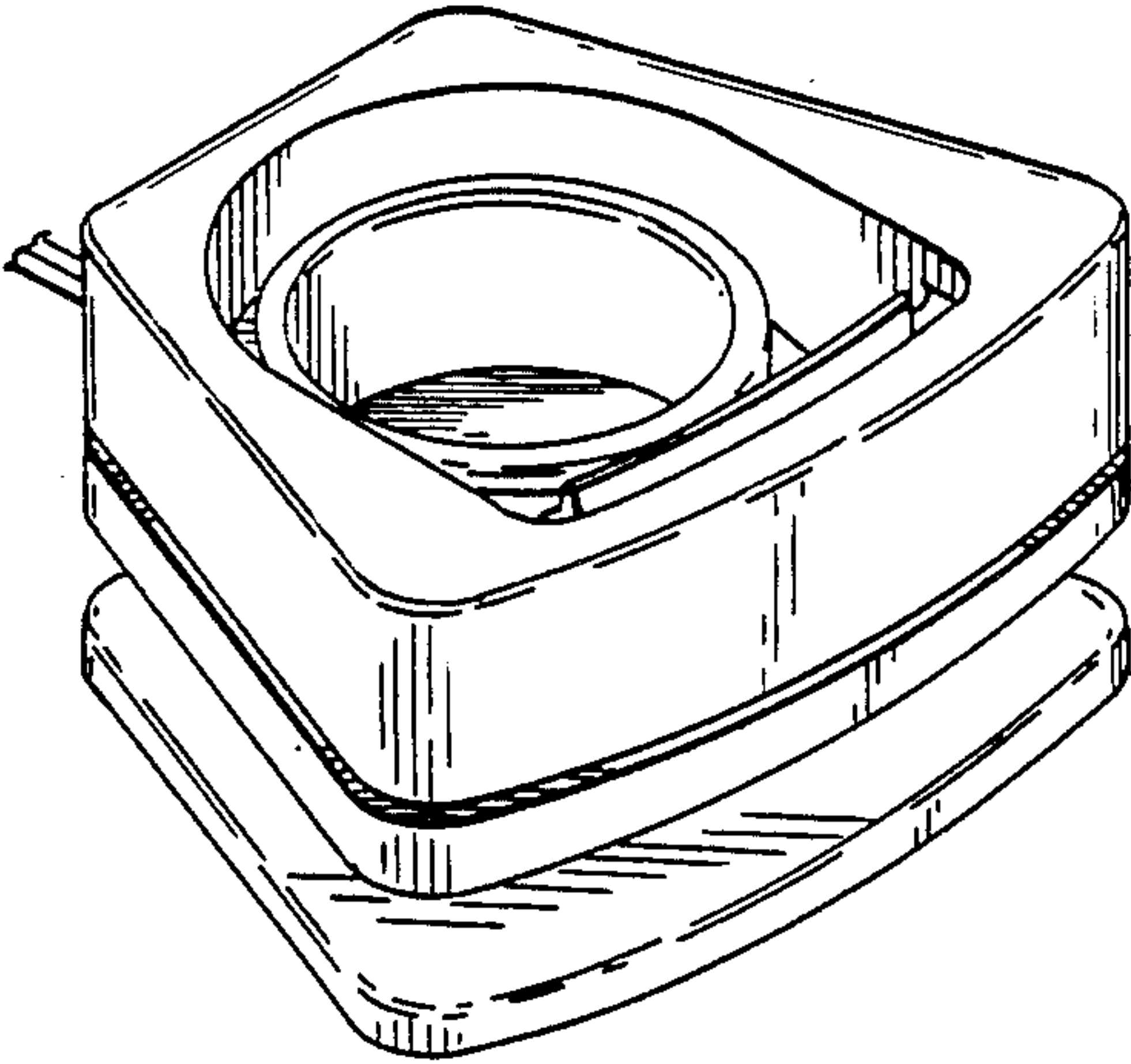


FIG. 1

FIG. 2

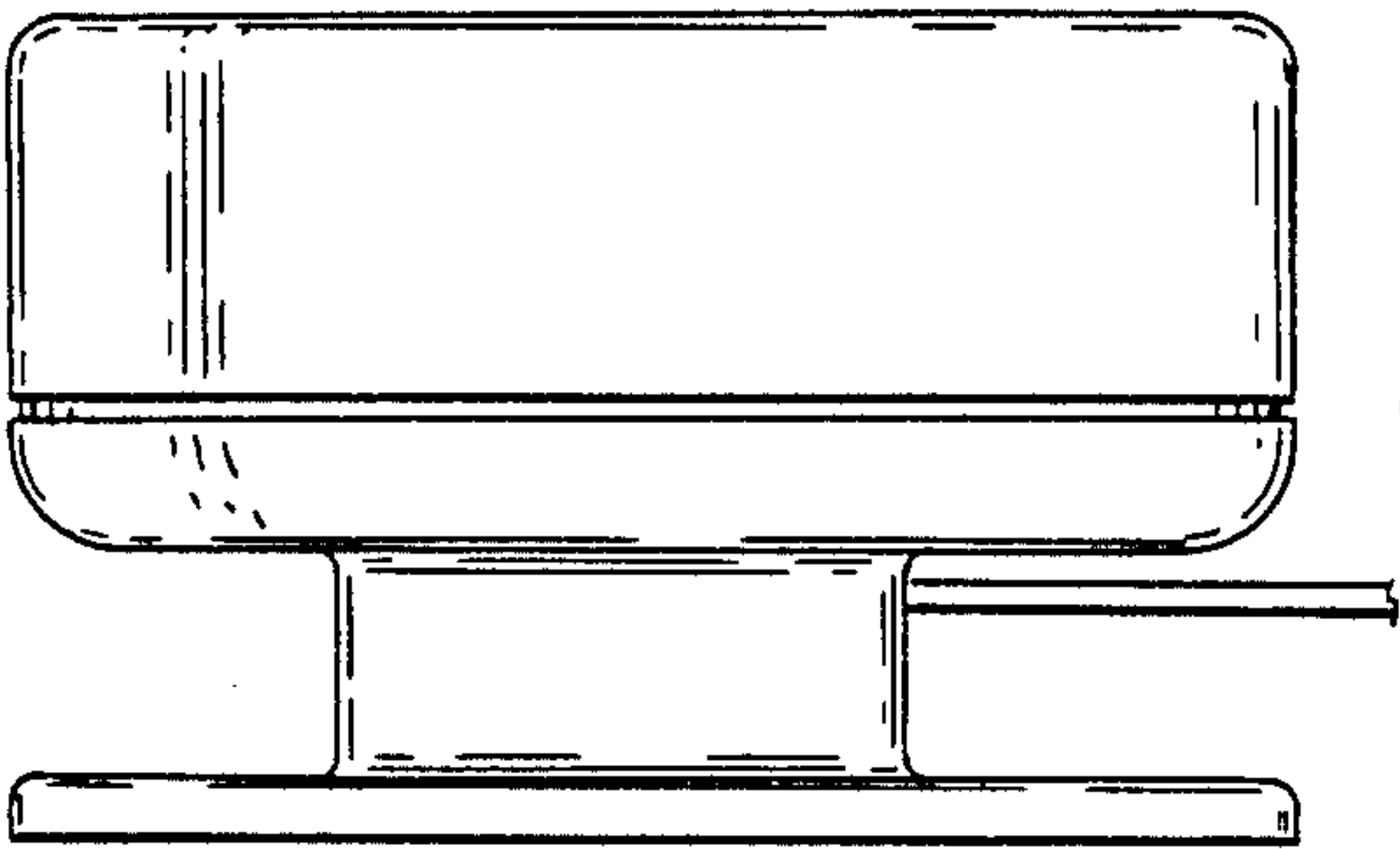
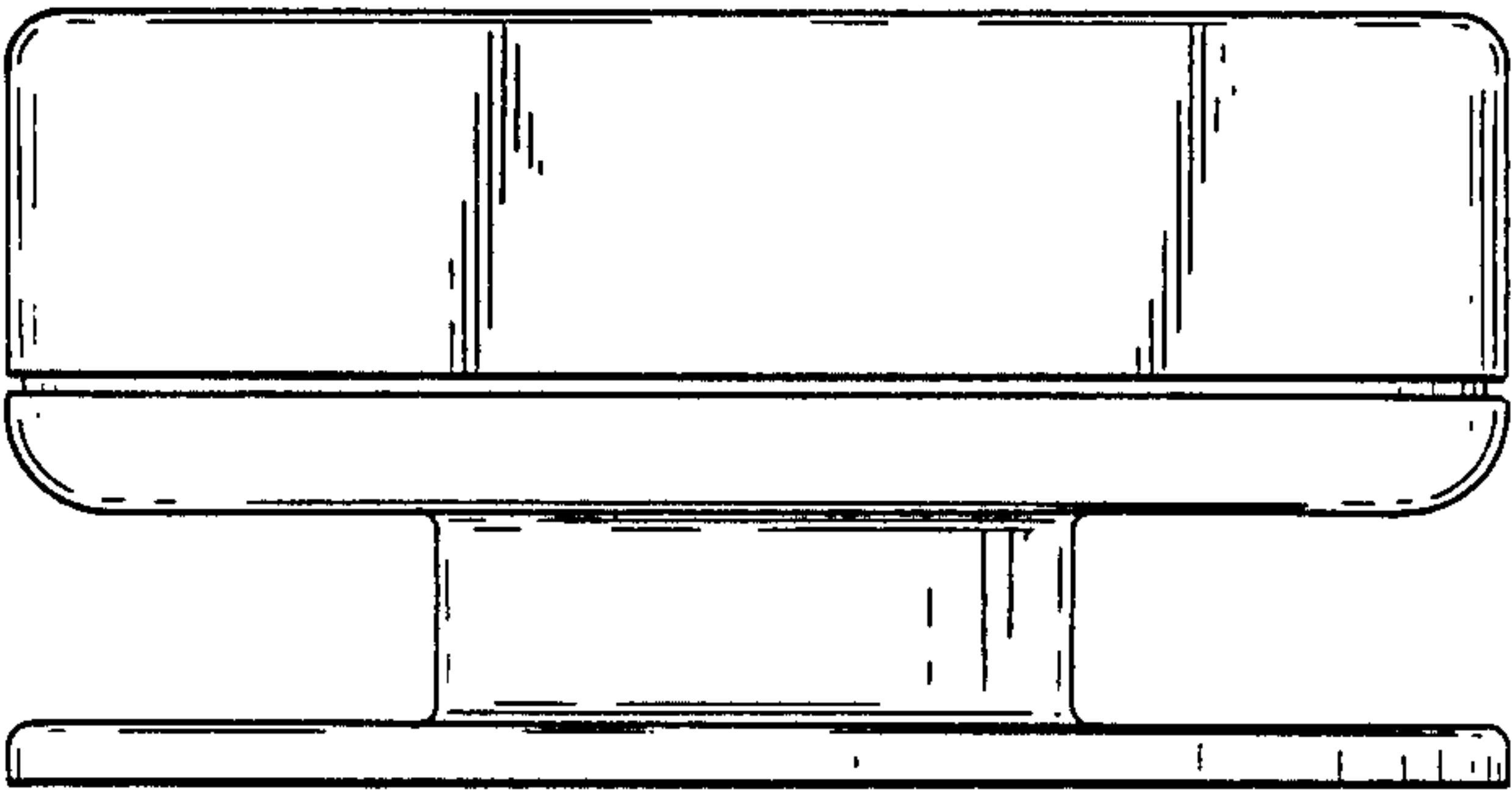


FIG. 3

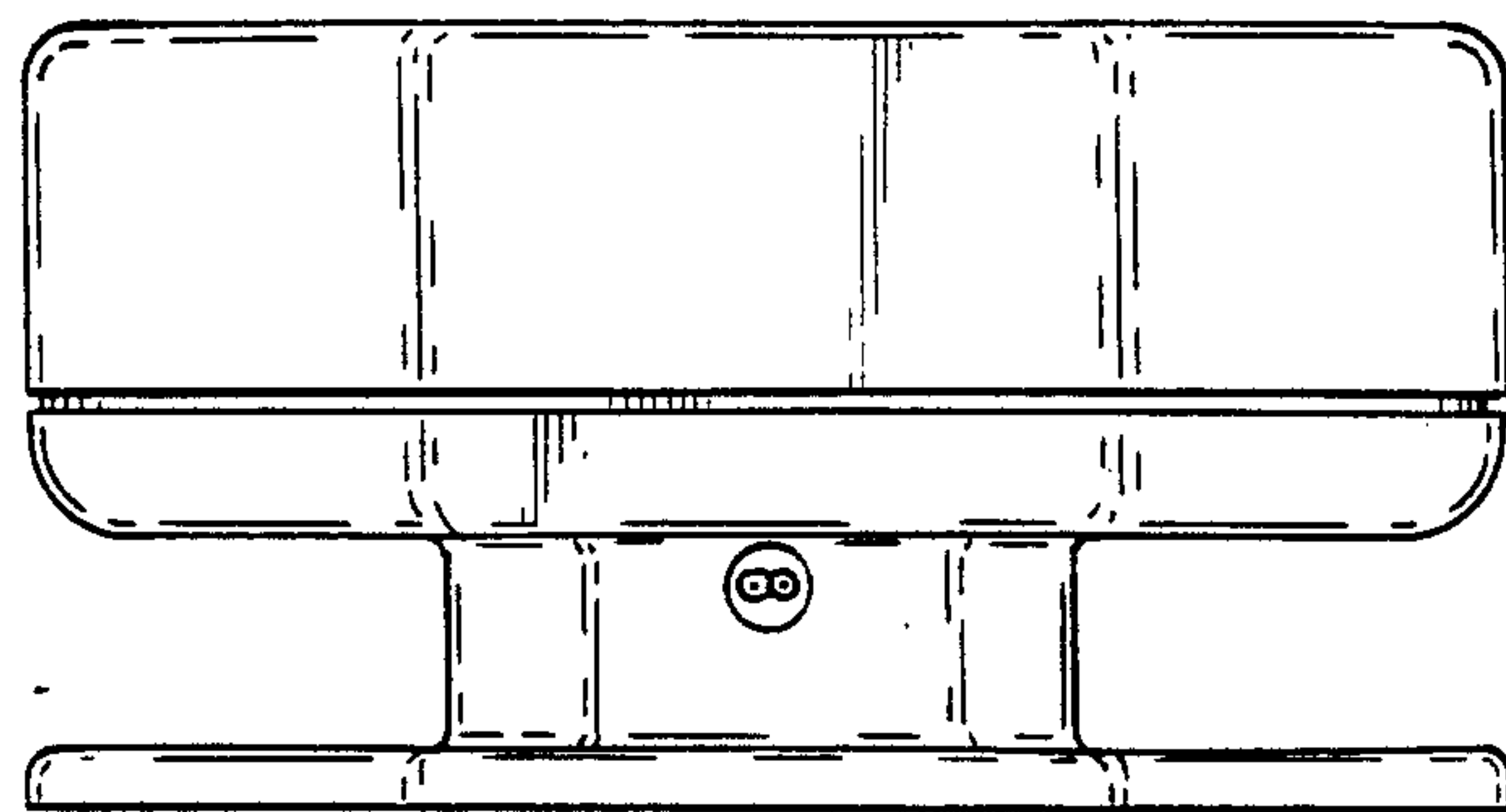


FIG. 4

FIG. 5

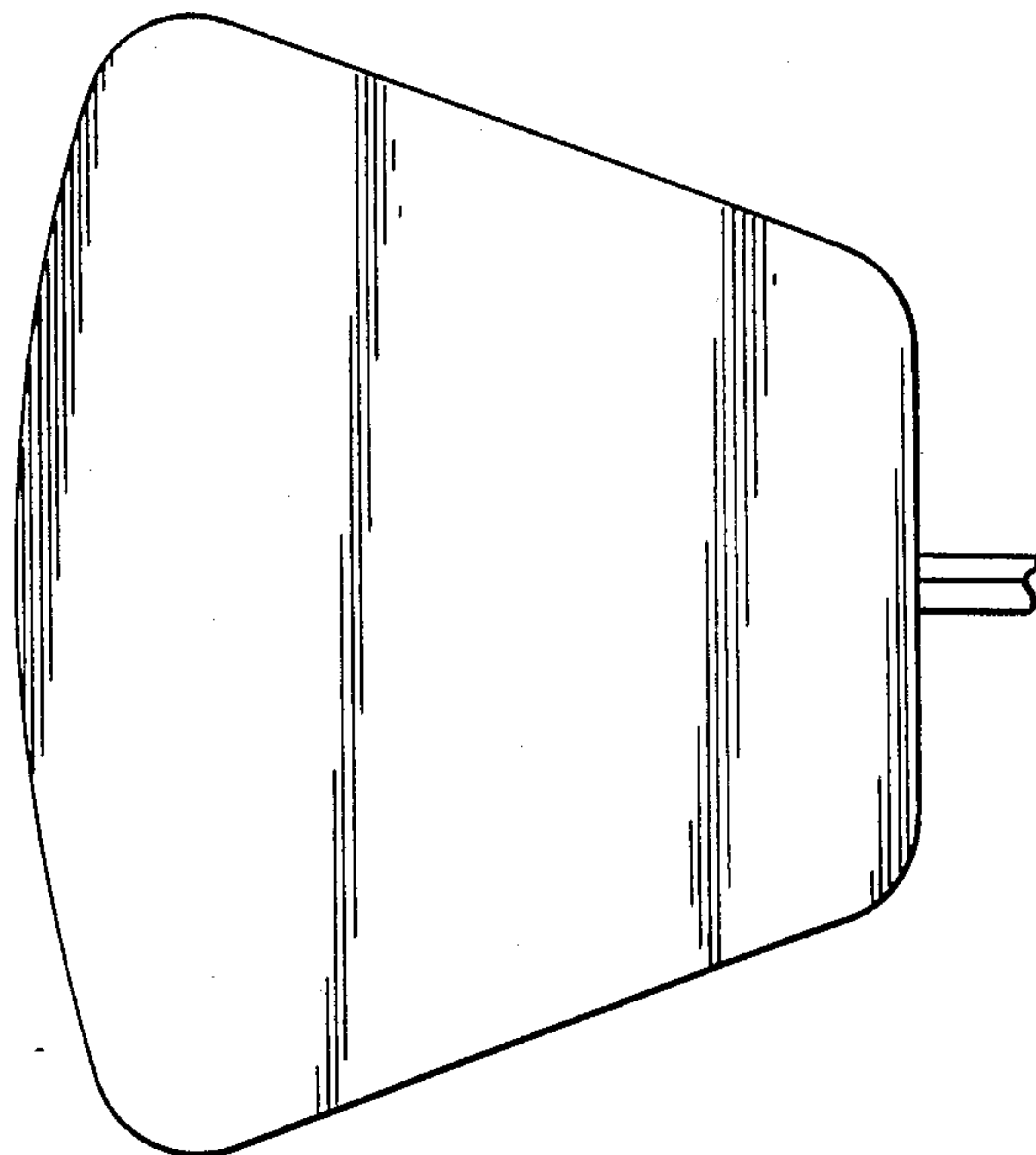
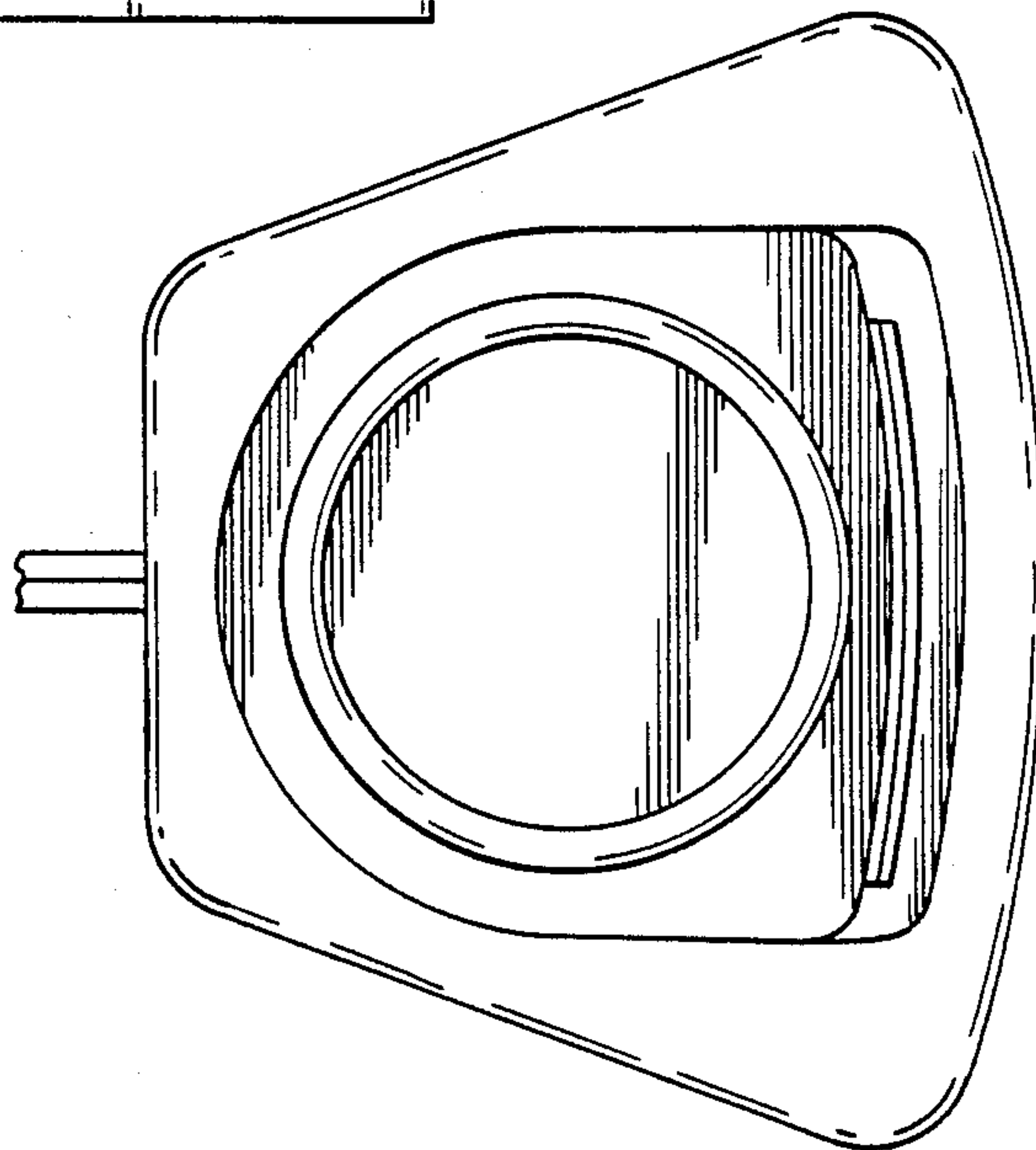


FIG. 6