

[54] FISHING REEL

[75] Inventor: Yasuhisa Kameda, Tokyo, Japan

[73] Assignee: Daiwa Seiko, Inc., Tokyo, Japan

[**] Term: 14 Years

[21] Appl. No.: 804,794

[22] Filed: Nov. 8, 1985

[30] Foreign Application Priority Data

May 9, 1985 [JP] Japan 60-19045

Oct. 21, 1985 [JP] Japan 60-44160

[52] U.S. Cl. D22/141

[58] Field of Search D22/141; 242/84.1 R,
242/84.2 R, 84.2 A

[56] References Cited

U.S. PATENT DOCUMENTS

D. 253,837 1/1980 Hiraishi et al. D22/141

D. 253,840 1/1980 Hiraishi D22/141

D. 270,933 10/1983 Iinuma et al. D22/141

Primary Examiner—A. Hugo Word

Attorney, Agent, or Firm—Cushman, Darby & Cushman

[57] CLAIM

The ornamental design for a fishing reel, substantially as shown and described.

DESCRIPTION

FIG. 1 is a top, rear and one side perspective view of a fishing reel showing my new design;

FIG. 2 is a side elevation view of one side thereof;

FIG. 3 is a side elevation view of the opposite side thereof;

FIG. 4 is a top plan view thereof;

FIG. 5 is a bottom plan view thereof;

FIG. 6 is a front elevation view thereof;

FIG. 7 is a rear elevation view thereof;

FIG. 8 is a top, rear and one side perspective view of yet another embodiment showing my new design;

FIG. 9 is a side elevation view of one side thereof;

FIG. 10 is a side elevation view of the opposite side thereof;

FIG. 11 is a top plan view thereof;

FIG. 12 is a bottom plan view thereof;

FIG. 13 is a front elevation view thereof; and

FIG. 14 is a rear elevation view thereof.

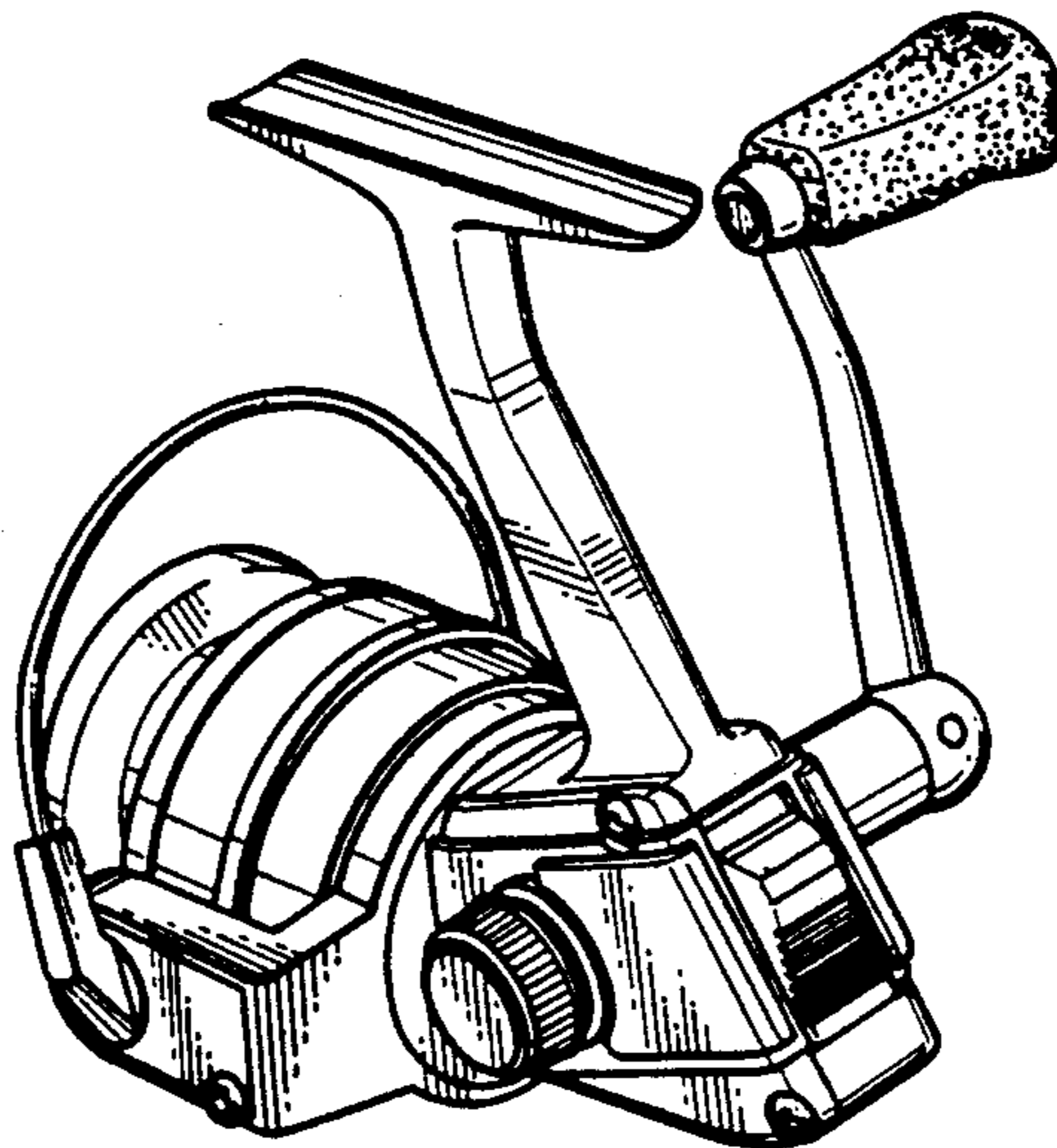


Fig. 1

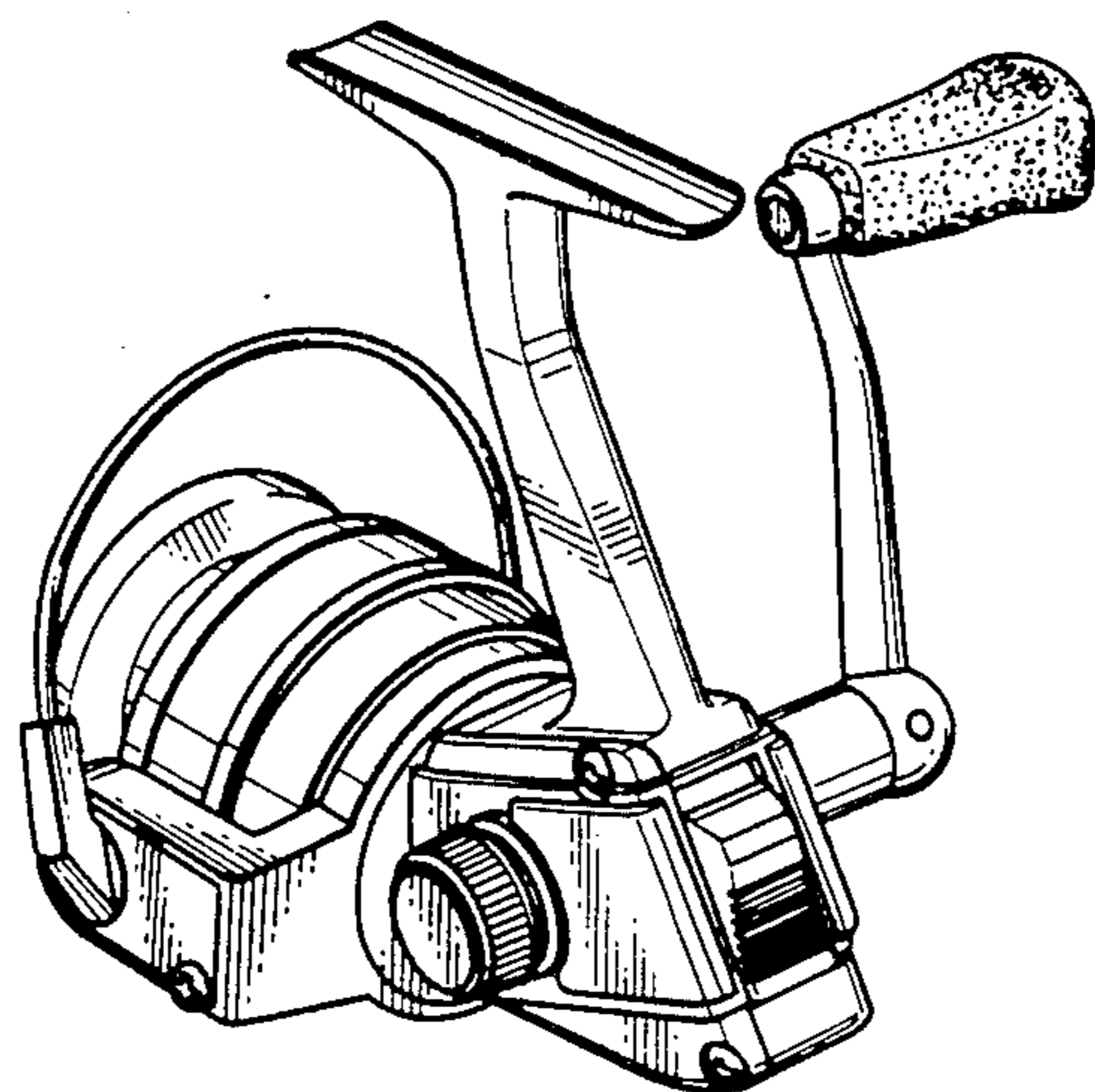


Fig. 2

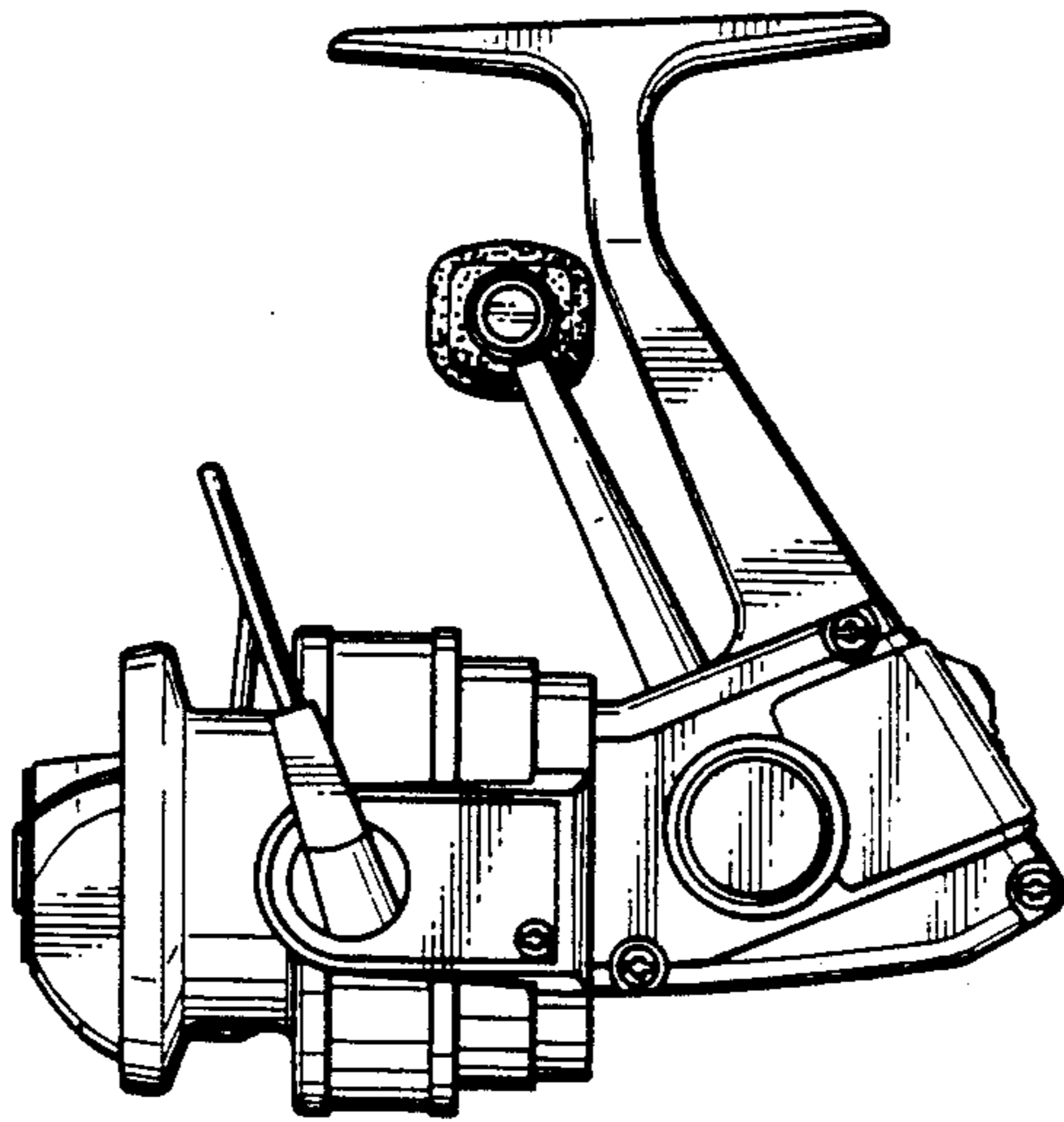


Fig. 3

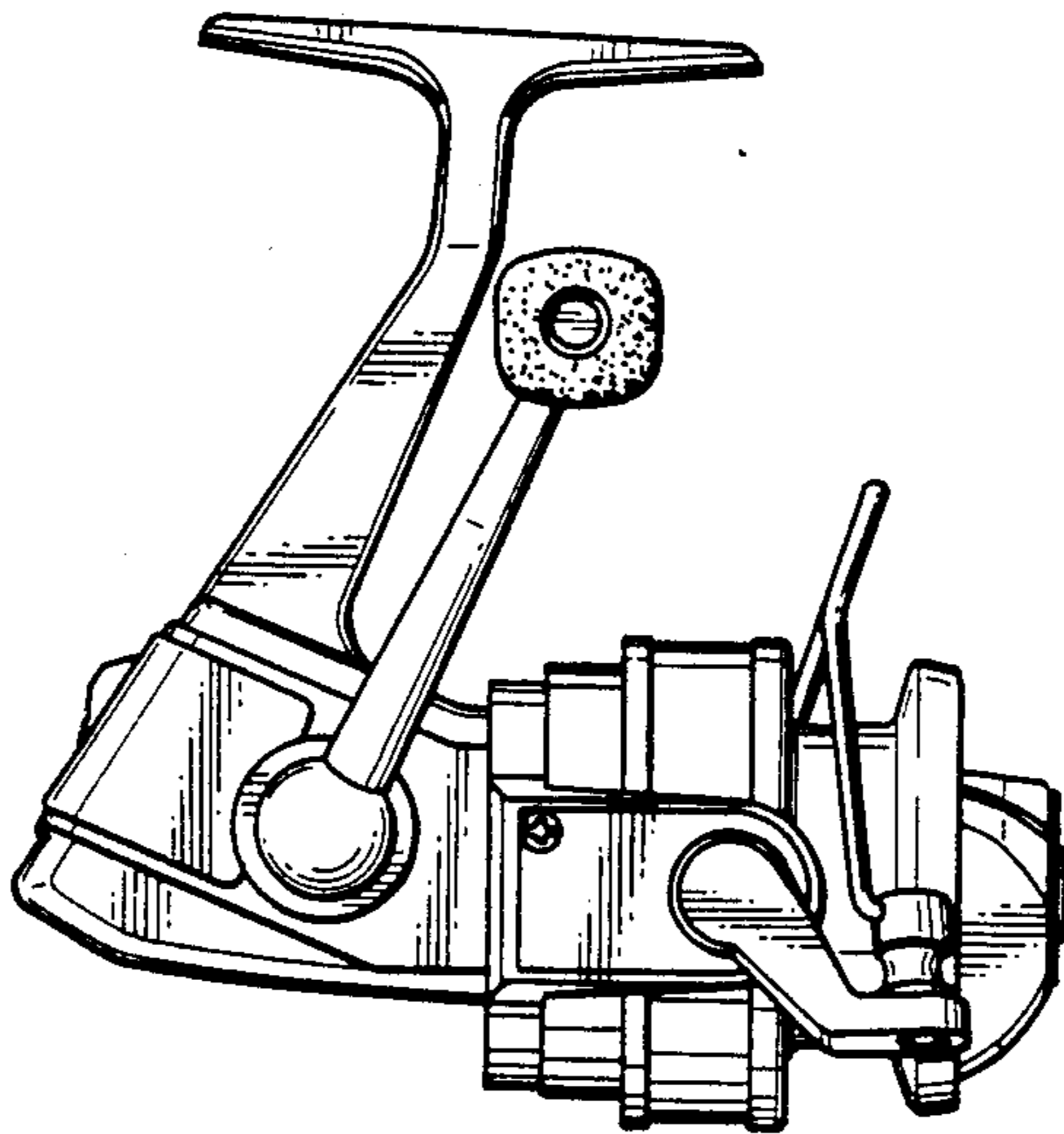


Fig. 4

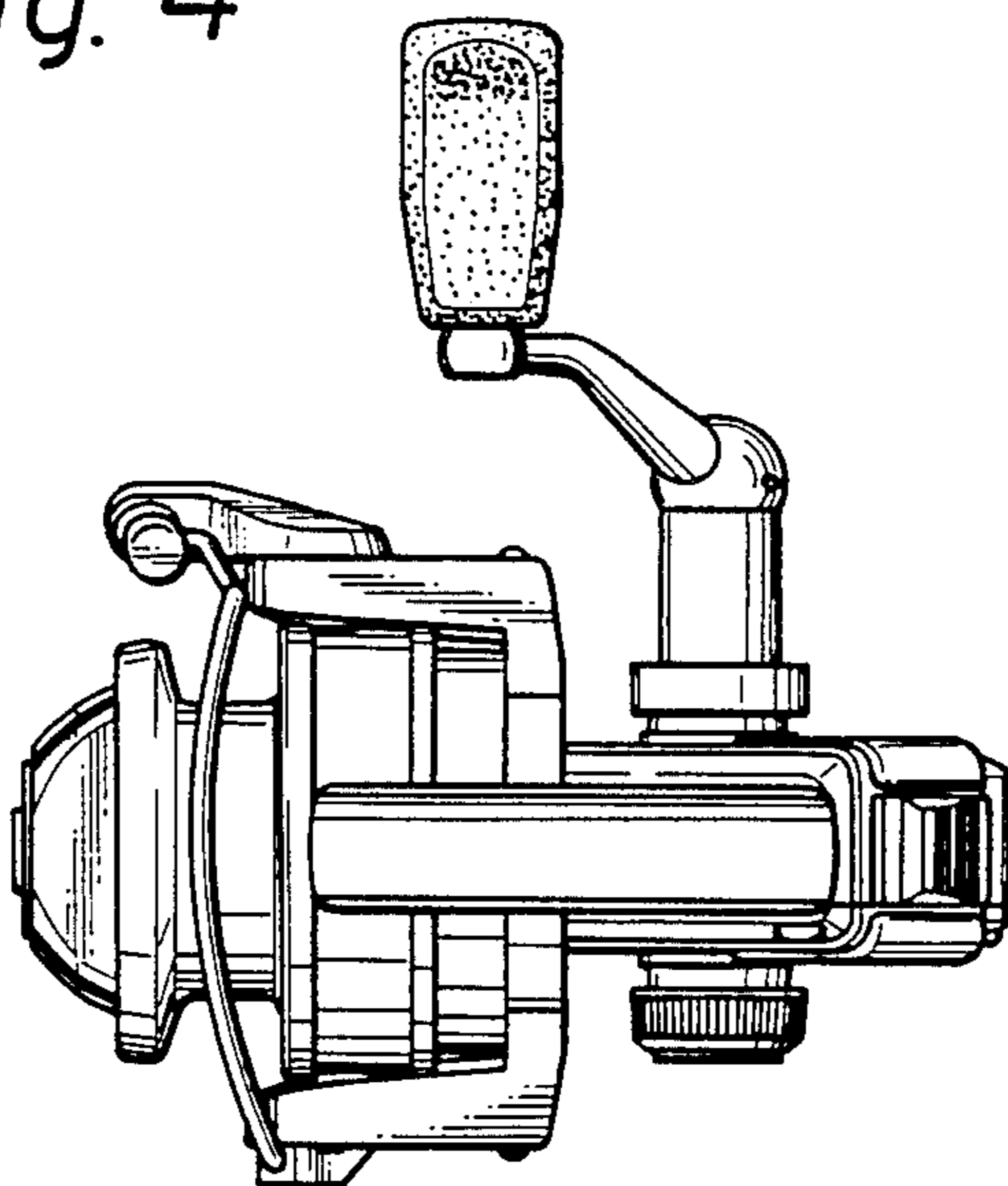


Fig. 5

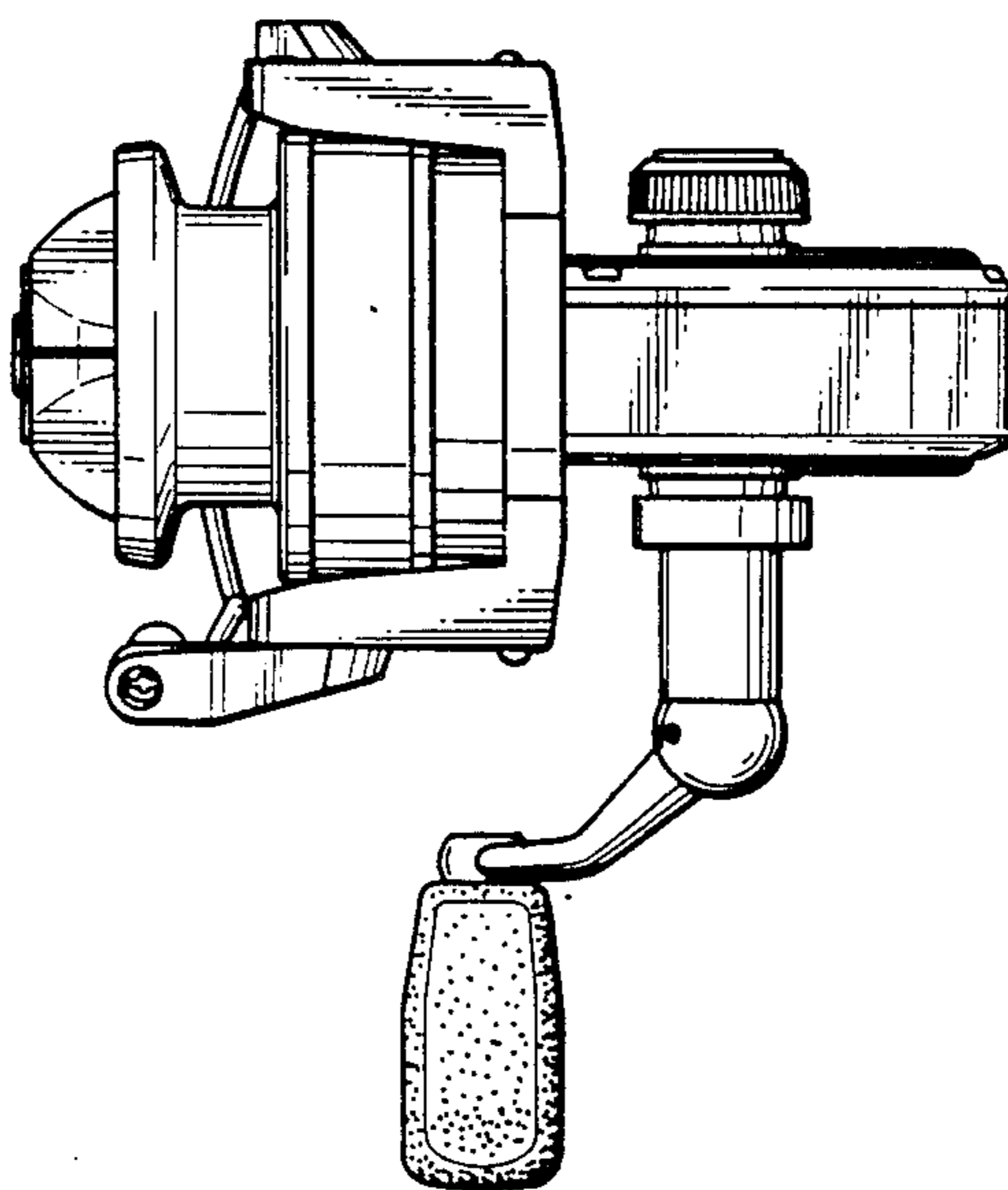


Fig. 6

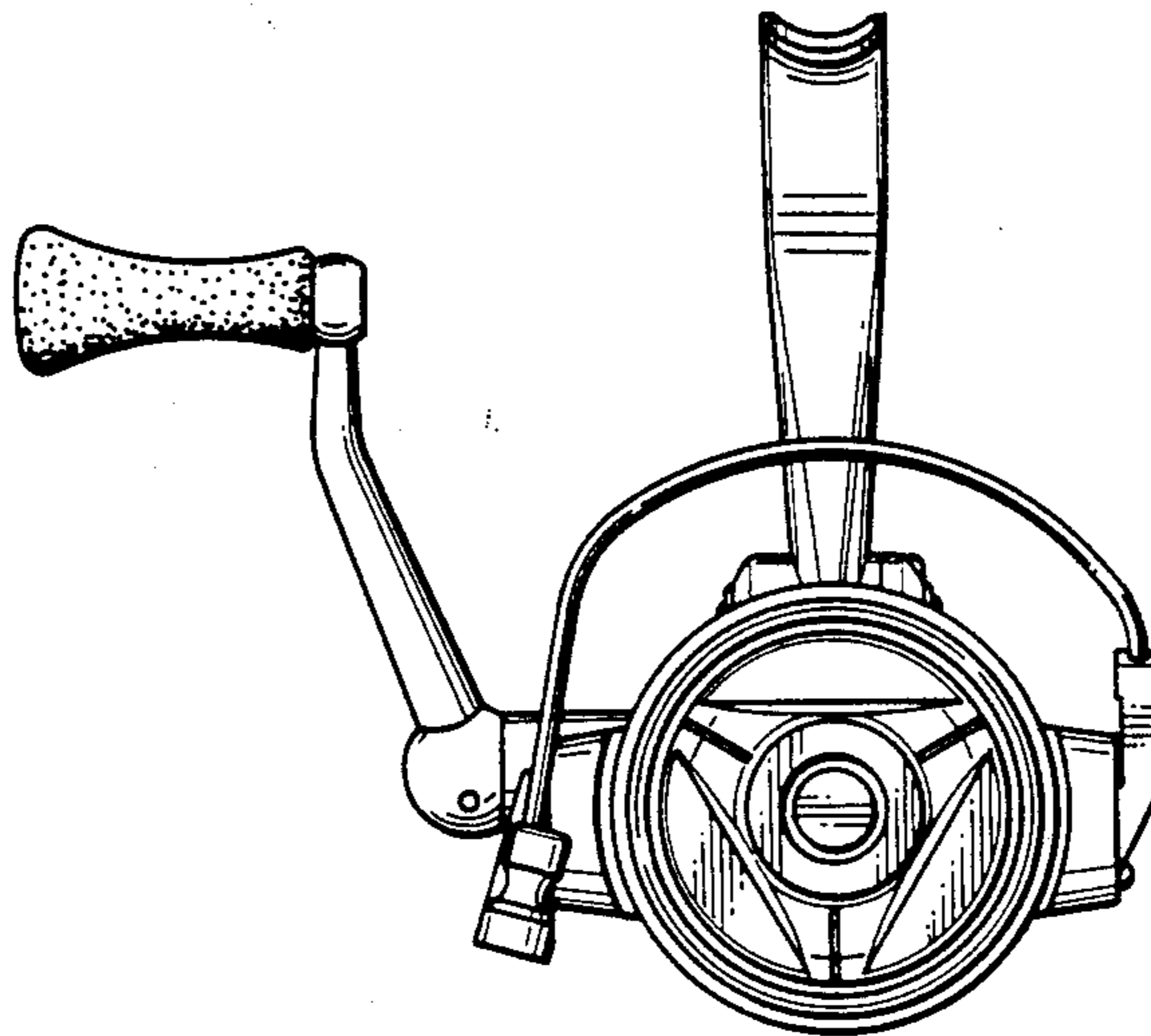


Fig. 7

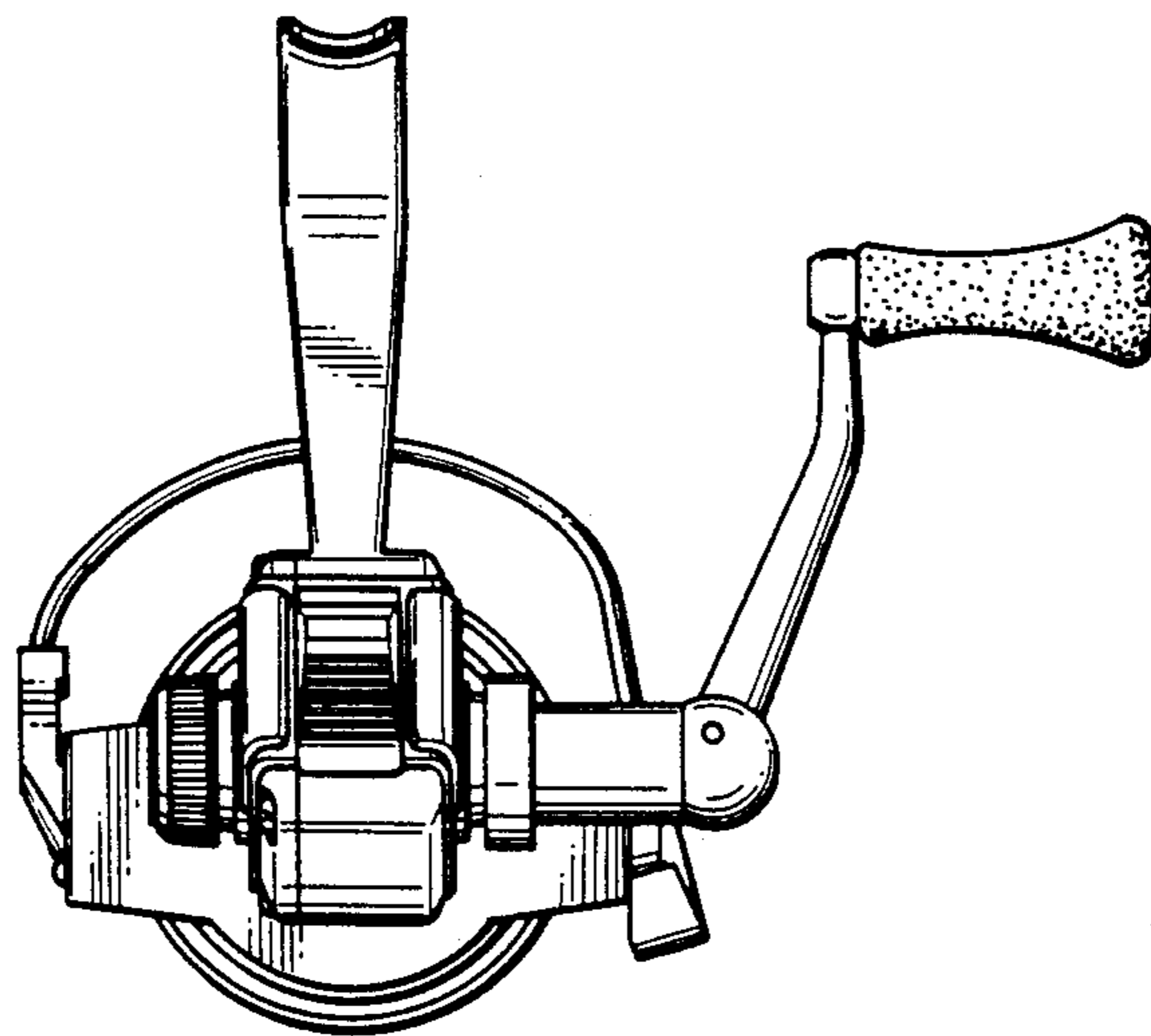


Fig. 8

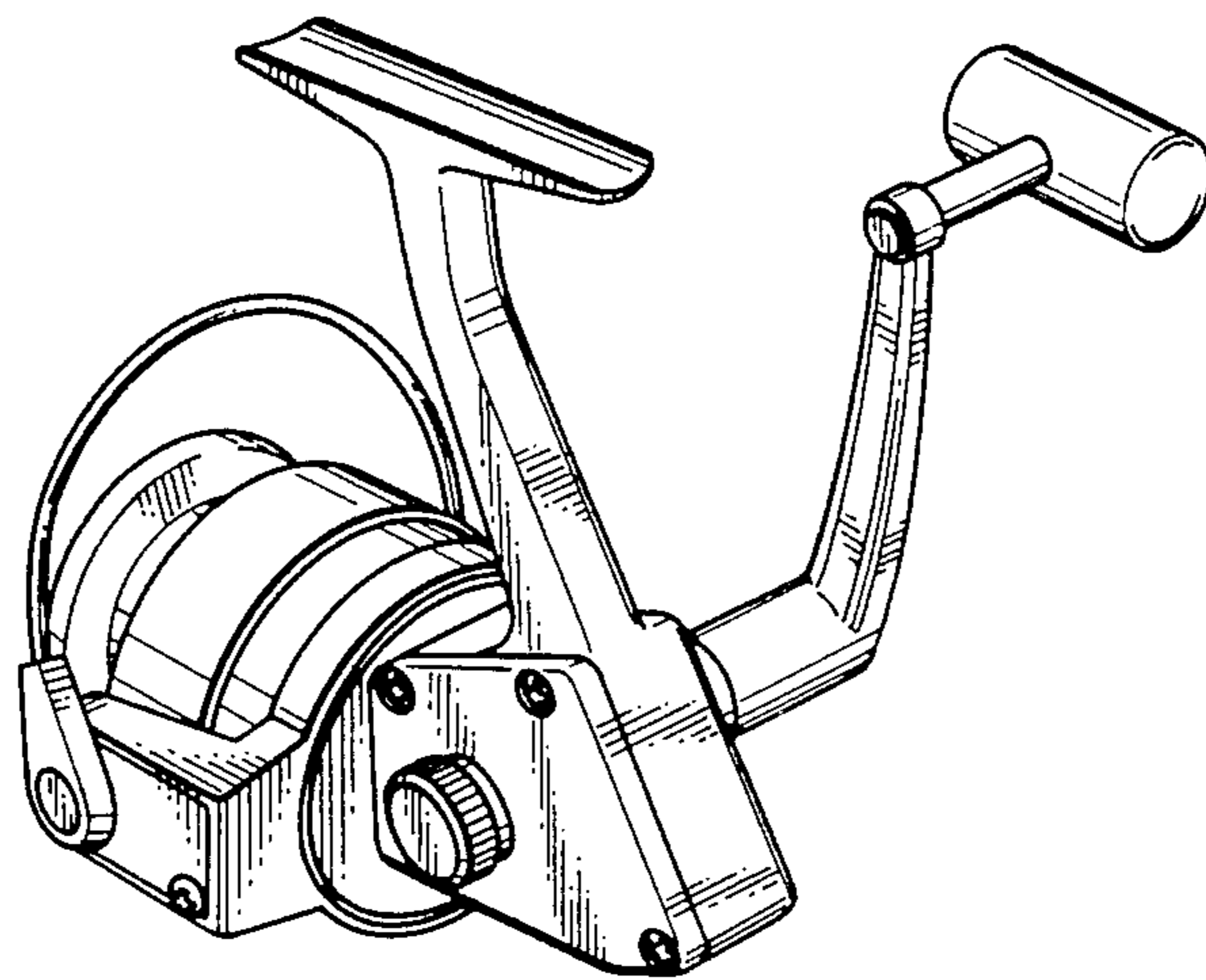


Fig. 9

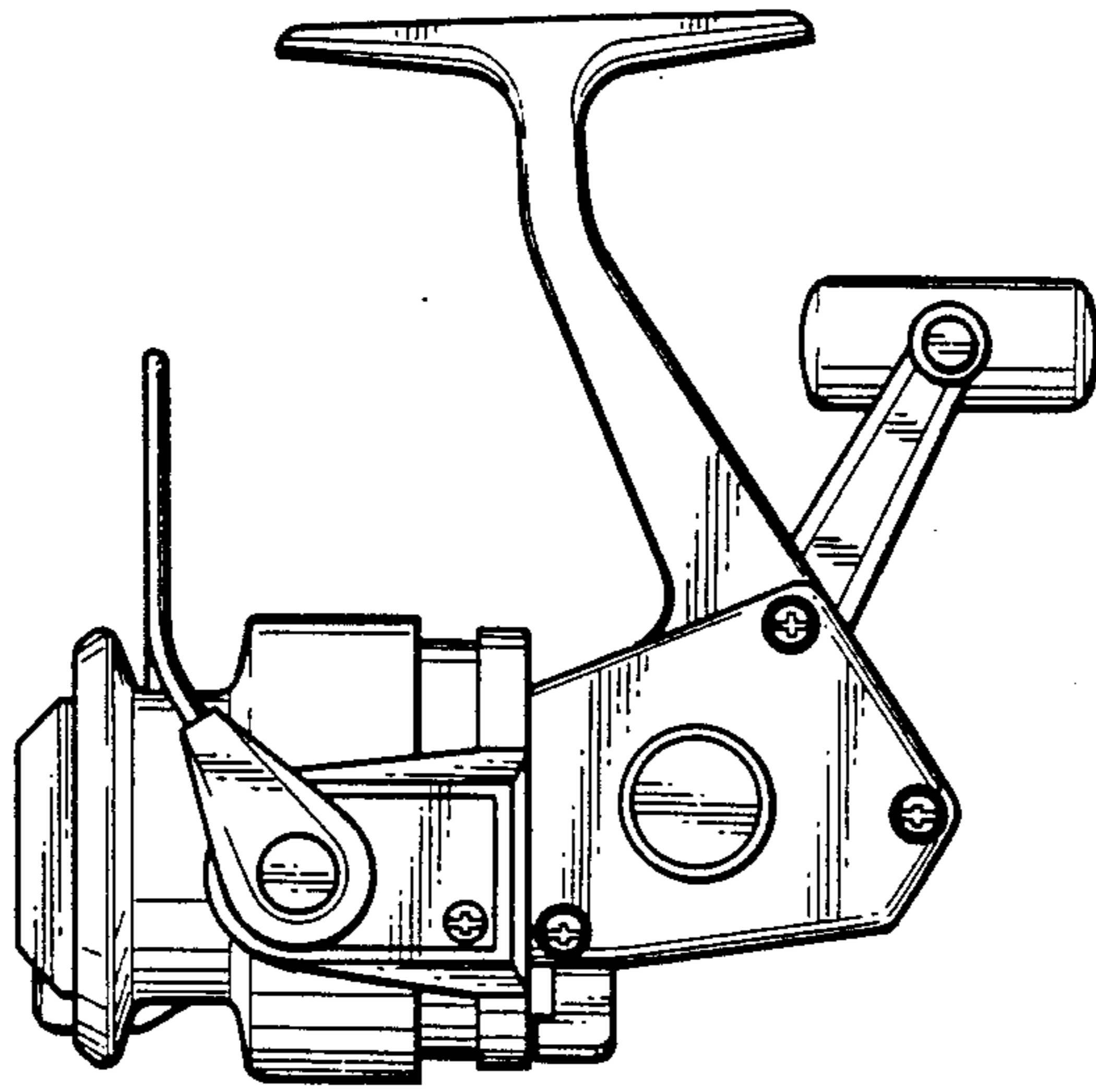


Fig. 10

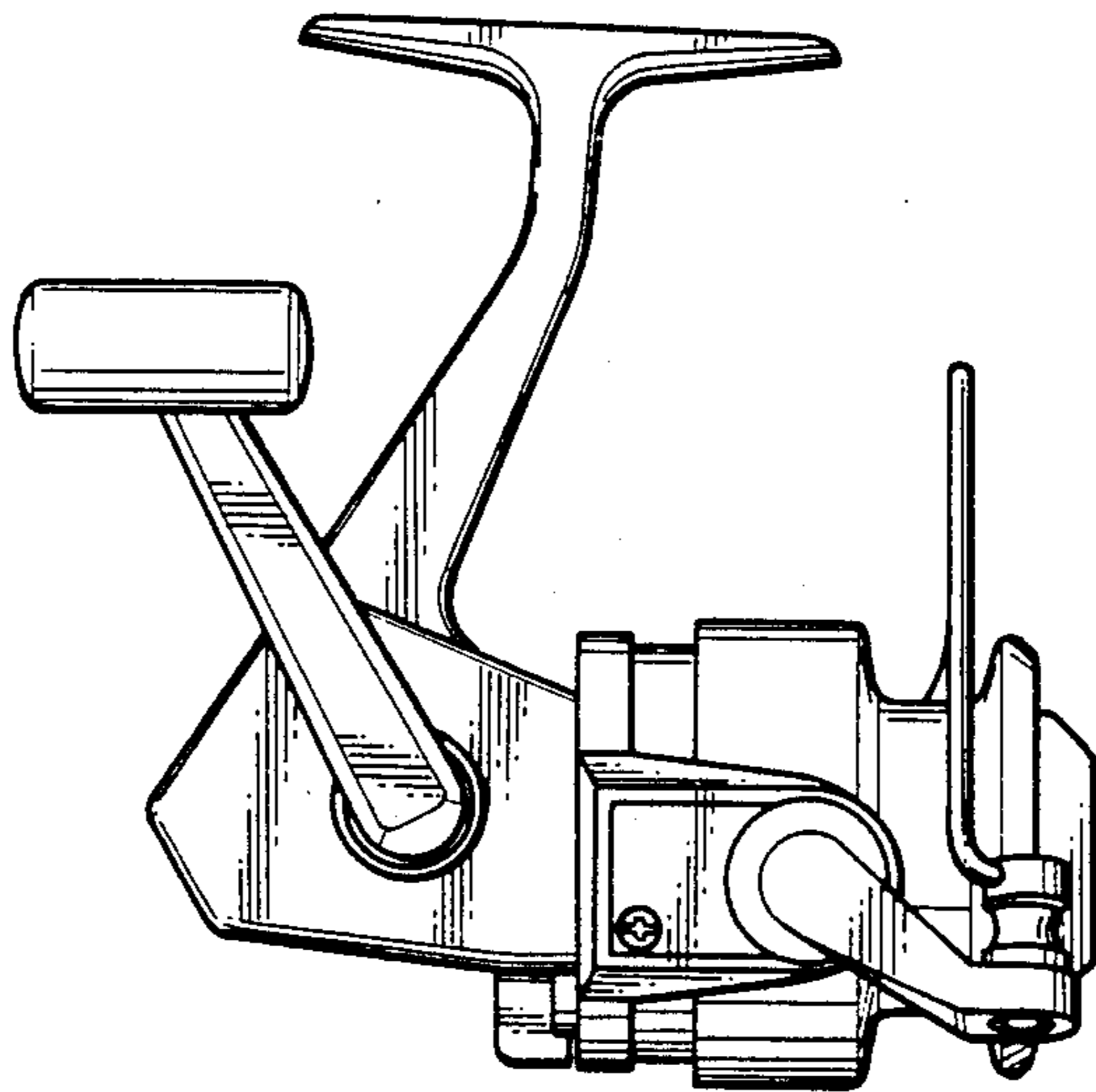


Fig. 11

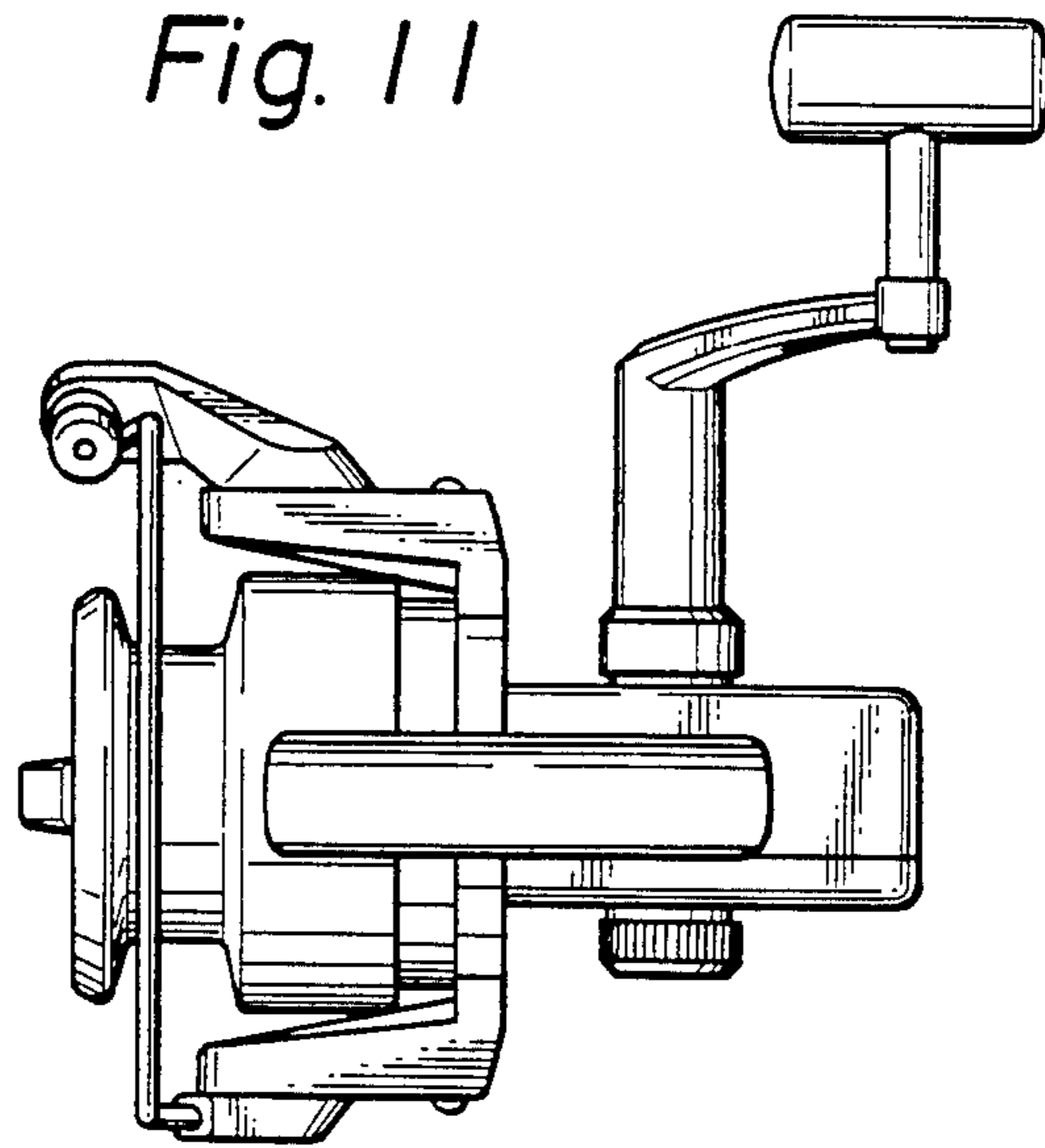


Fig. 12

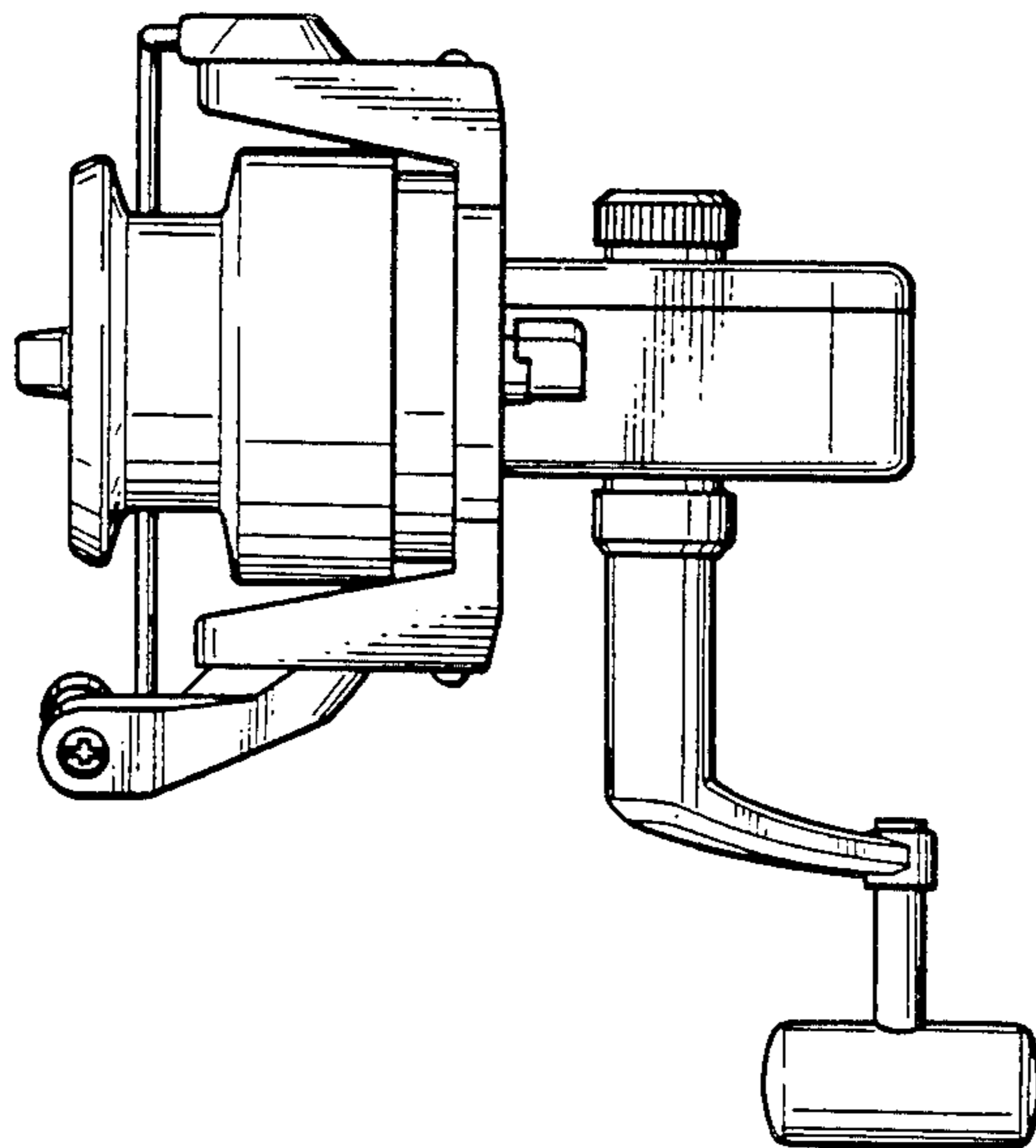


Fig. 13

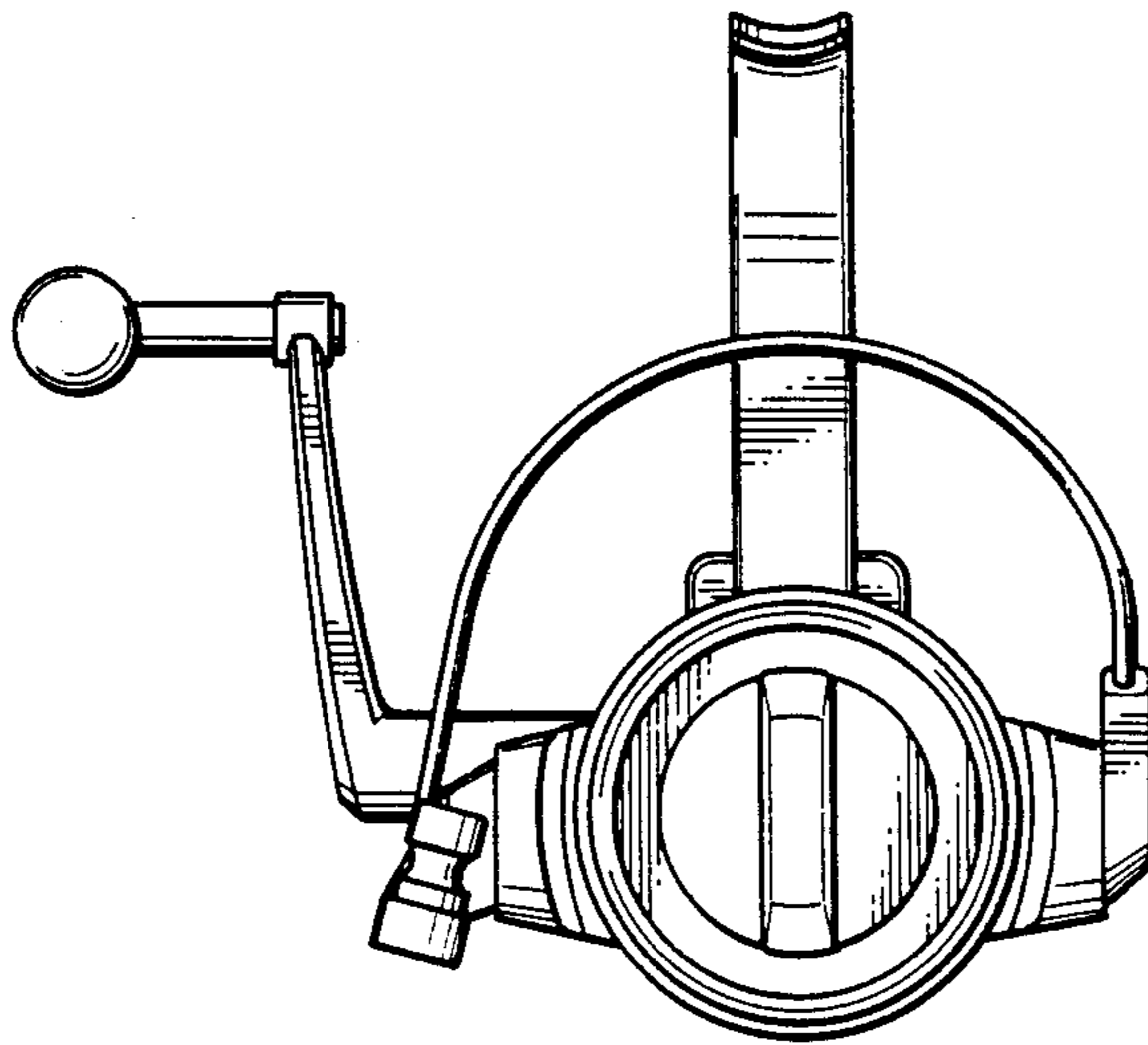


Fig. 14

