

United States Patent [19]

Sakamoto et al.

[11] Patent Number: **Des. 294,727**

[45] Date of Patent: **** Mar. 15, 1988**

[54] FISHING REEL

[75] Inventors: **Masakazu Sakamoto; Kiyoshi Hoshino**, both of Tokyo, Japan

[73] Assignee: **Ryobi Ltd.**, Hiroshima, Japan

[**] Term: **14 Years**

[21] Appl. No.: **805,167**

[22] Filed: **Nov. 20, 1985**

[30] Foreign Application Priority Data

May 20, 1985 [JP] Japan 60-20899

[52] U.S. Cl. **D22/141**

[58] Field of Search **D22/141; 242/84.1 R, 242/84.1 A, 84.2 R**

[56] References Cited

U.S. PATENT DOCUMENTS

D. 254,927 5/1980 Morishita D22/141
D. 273,219 3/1984 Iinuma D22/141

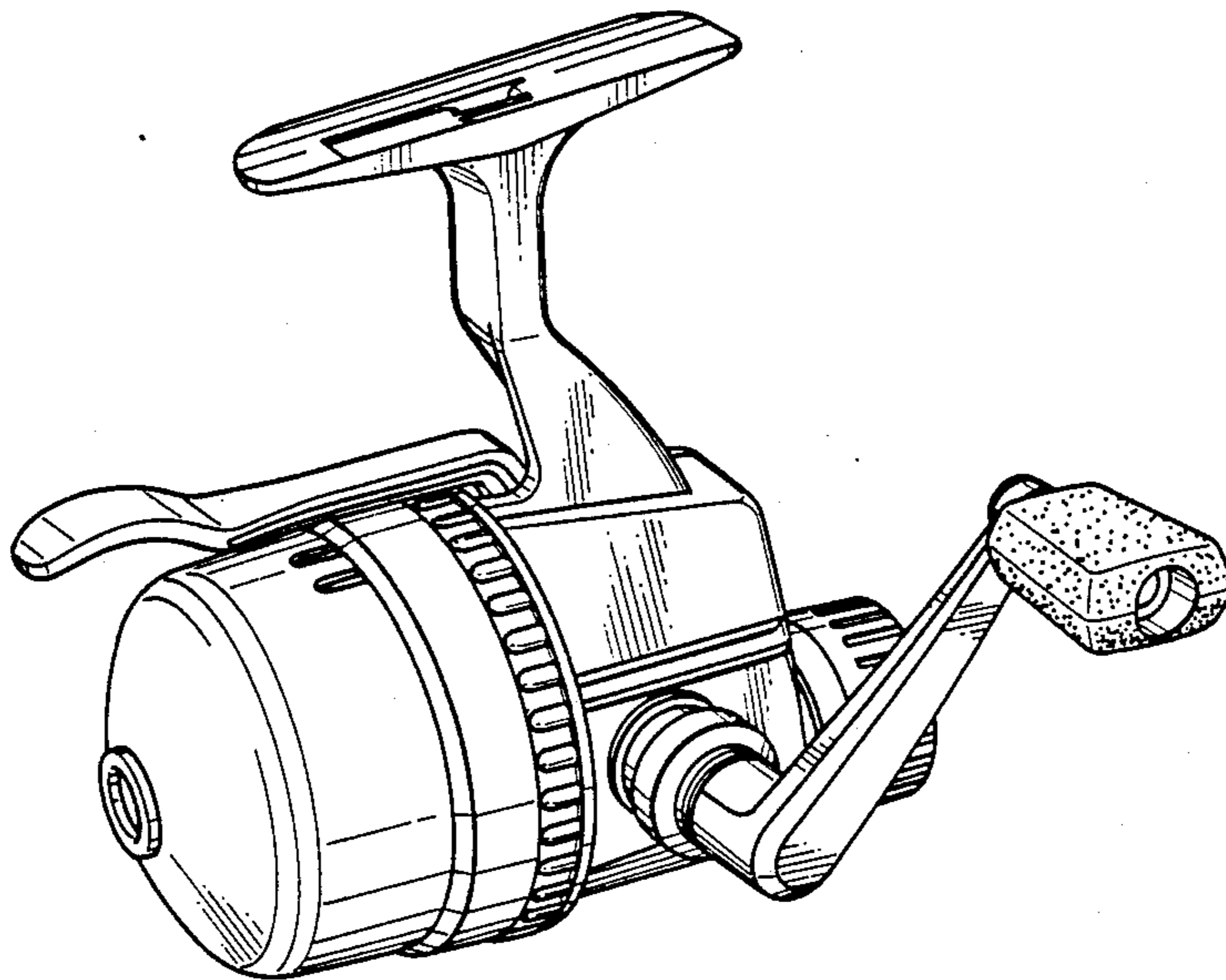
Primary Examiner—A. Hugo Word
Attorney, Agent, or Firm—Sughrue, Mion, Zinn, Macpeak & Seas

[57] CLAIM

The ornamental design for a fishing reel, as shown.

DESCRIPTION

FIG. 1 is a front, top, and right side perspective view of a fishing reel showing our new design;
FIG. 2 is a rear, top and left side perspective view thereof;
FIG. 3 is a right side elevational view thereof;
FIG. 4 is a left side elevational view thereof;
FIG. 5 is a front elevational view thereof;
FIG. 6 is a rear elevational view thereof;
FIG. 7 is a top plan view thereof; and
FIG. 8 is a bottom plan view thereof.



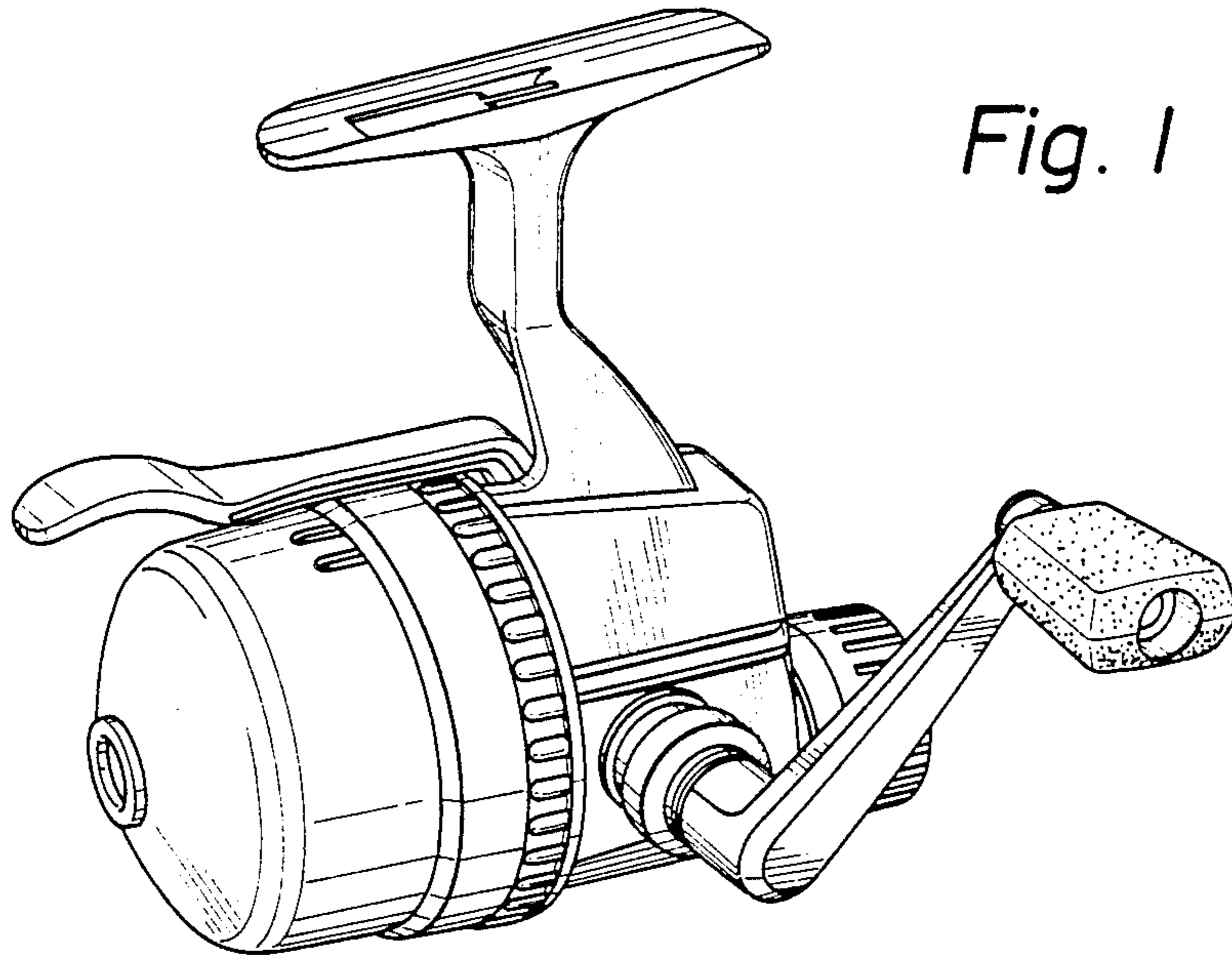


Fig. 2

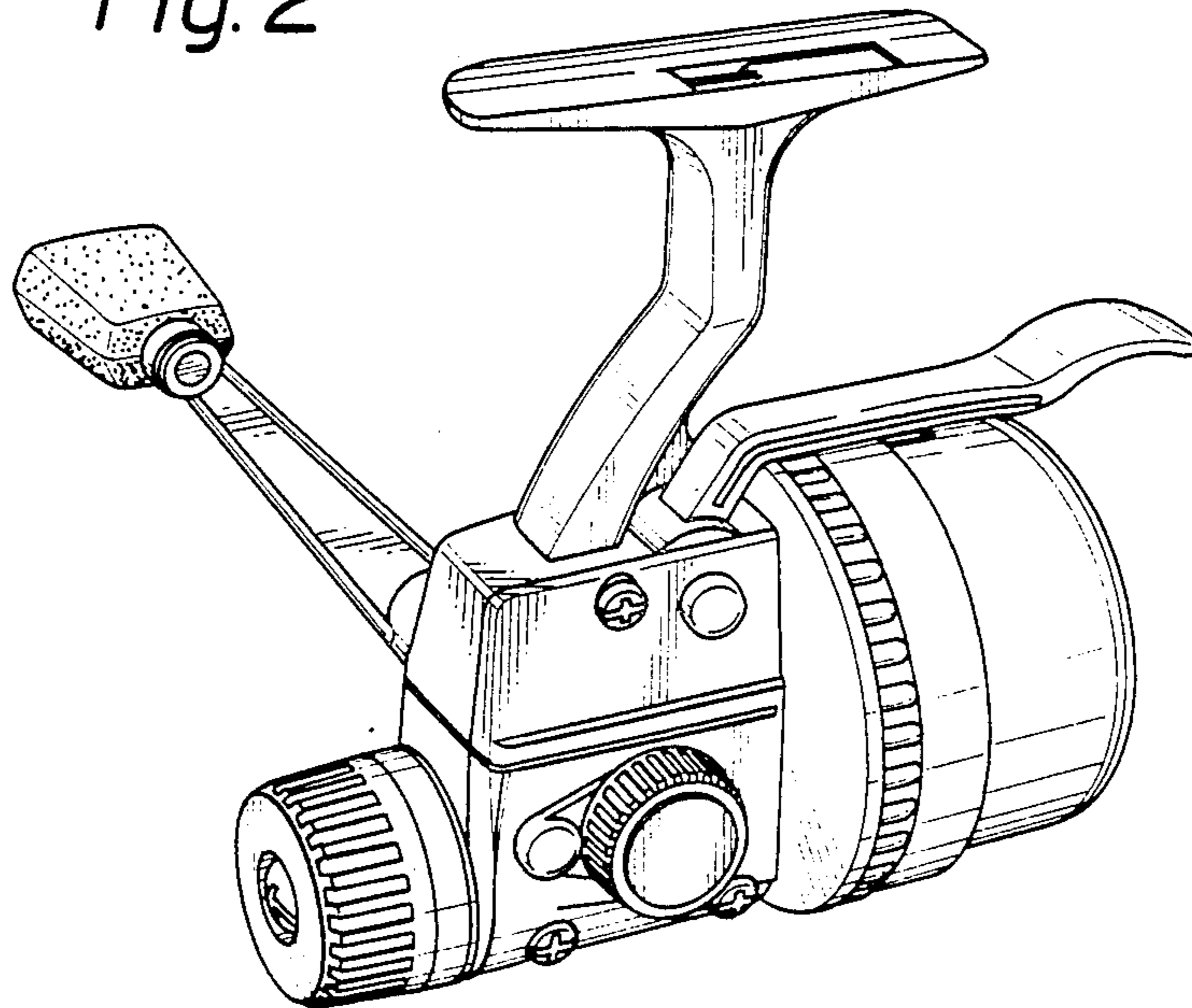


Fig. 3

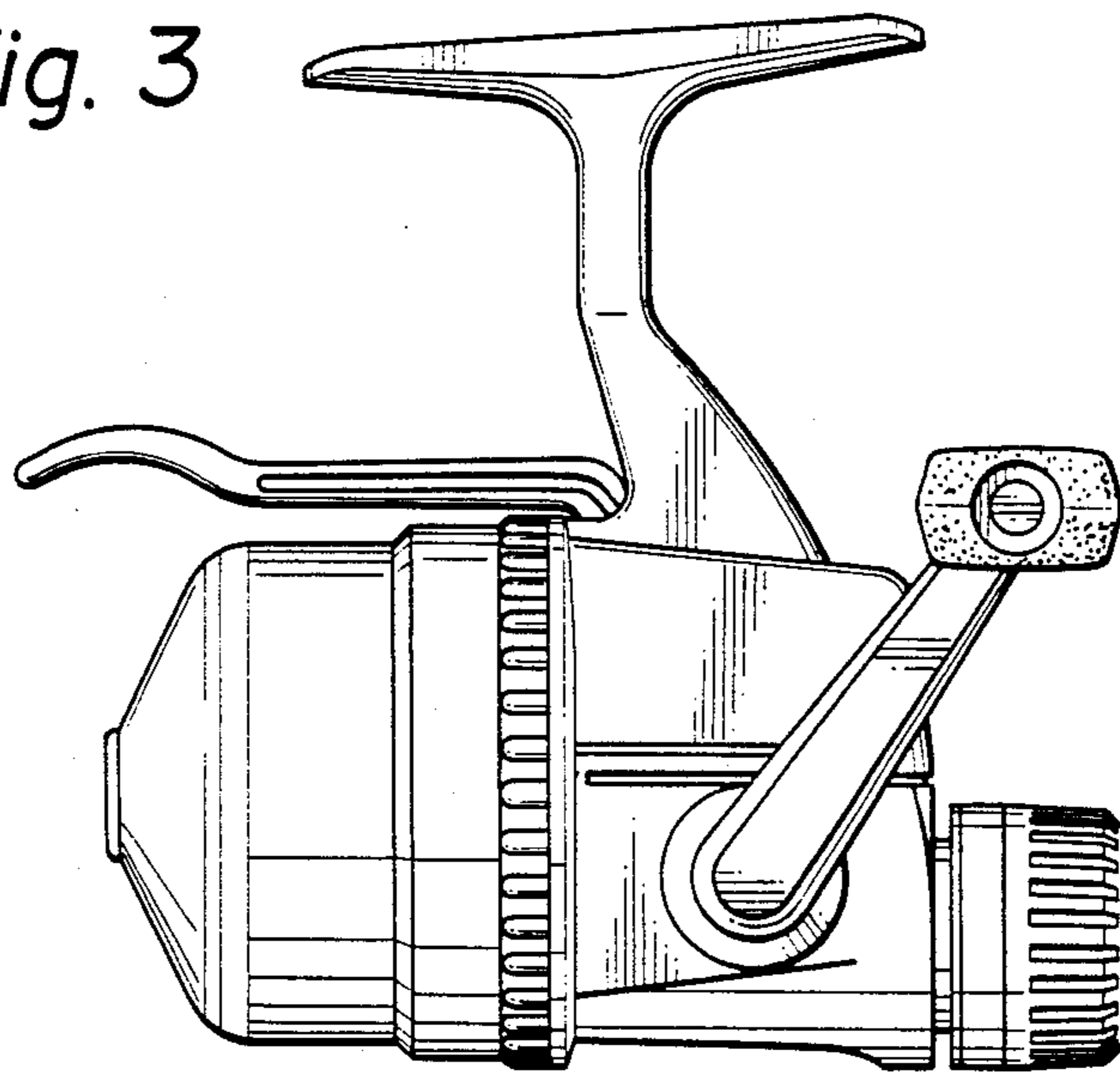


Fig. 4

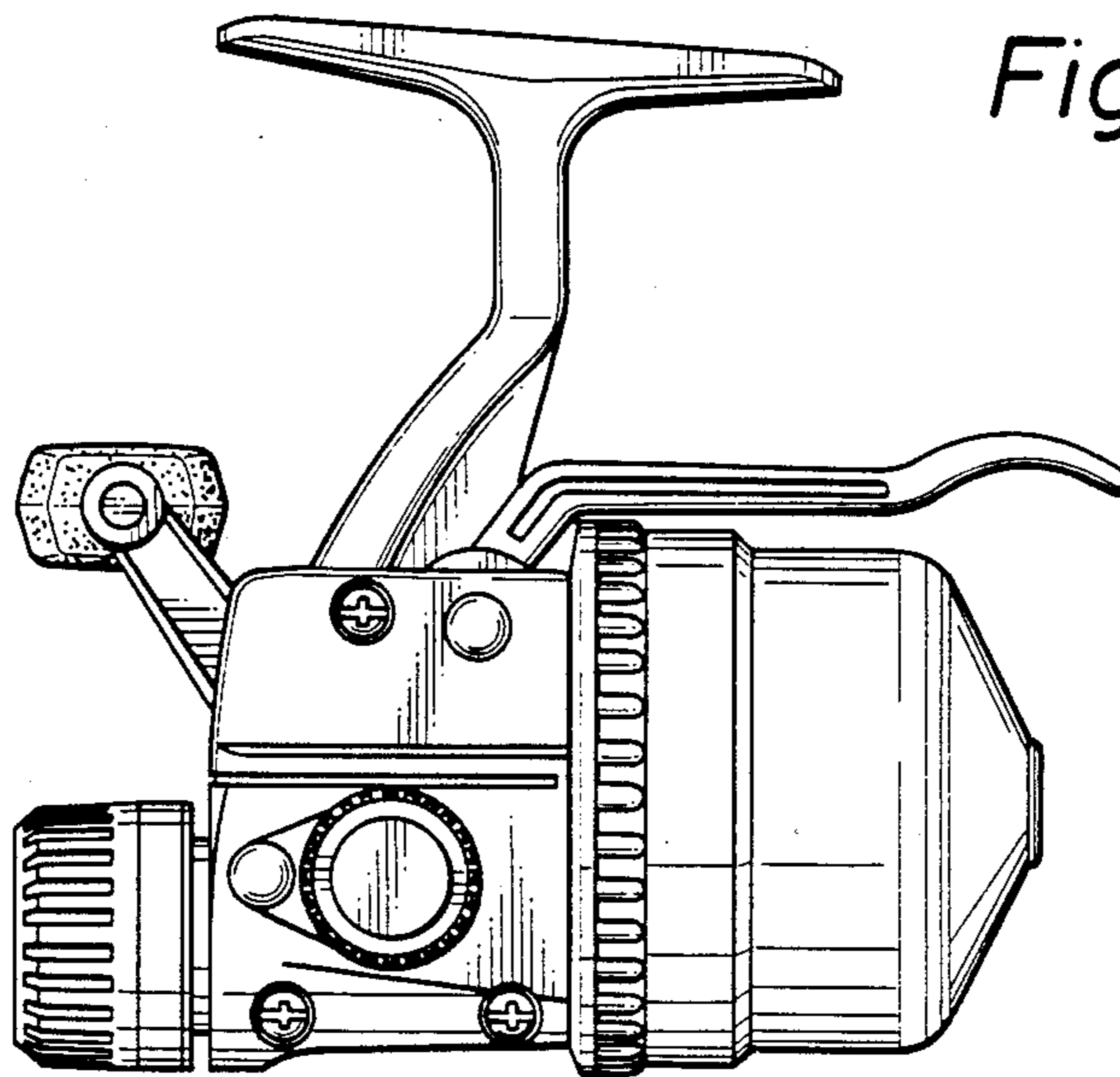


Fig. 5

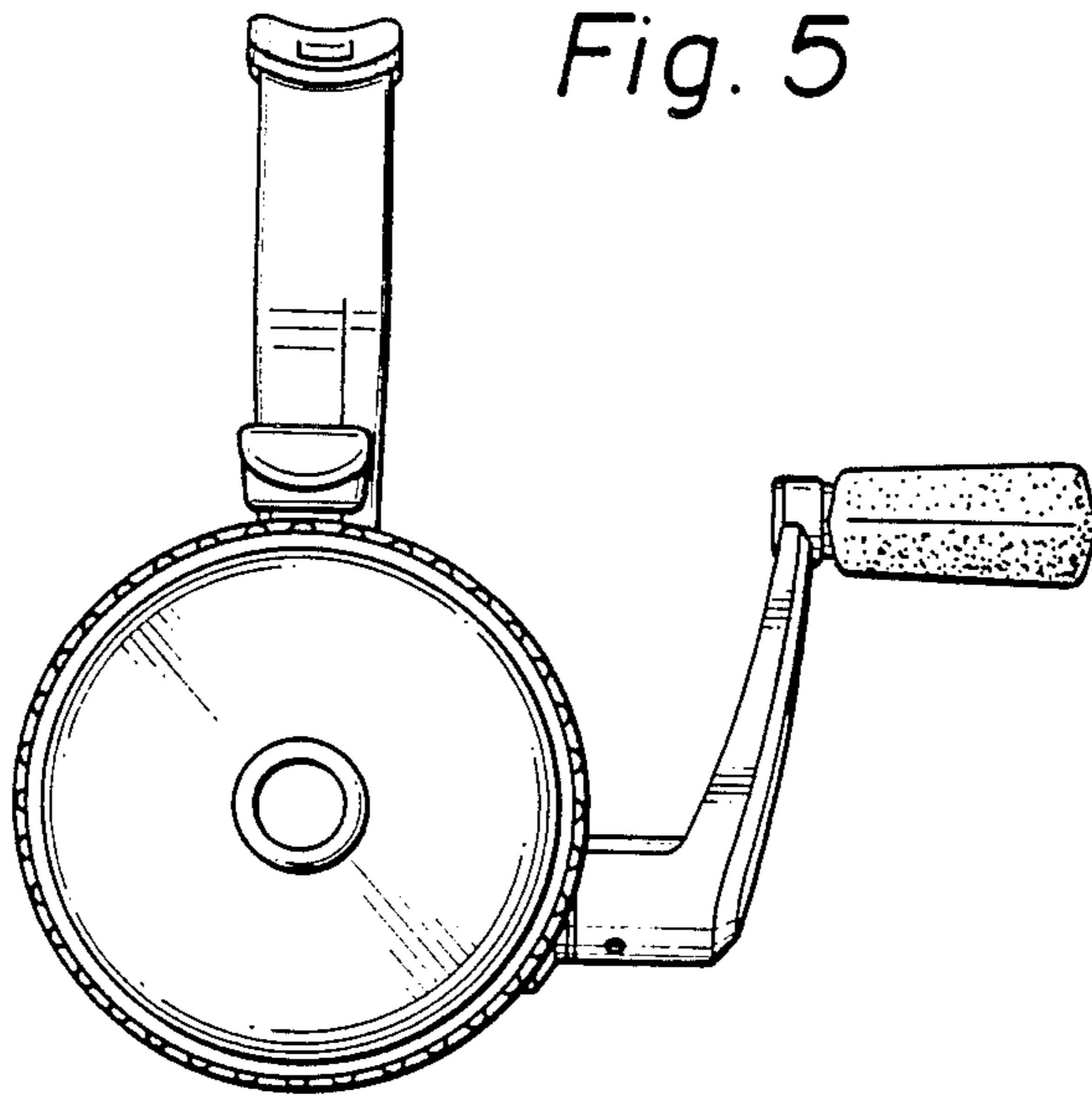


Fig. 6

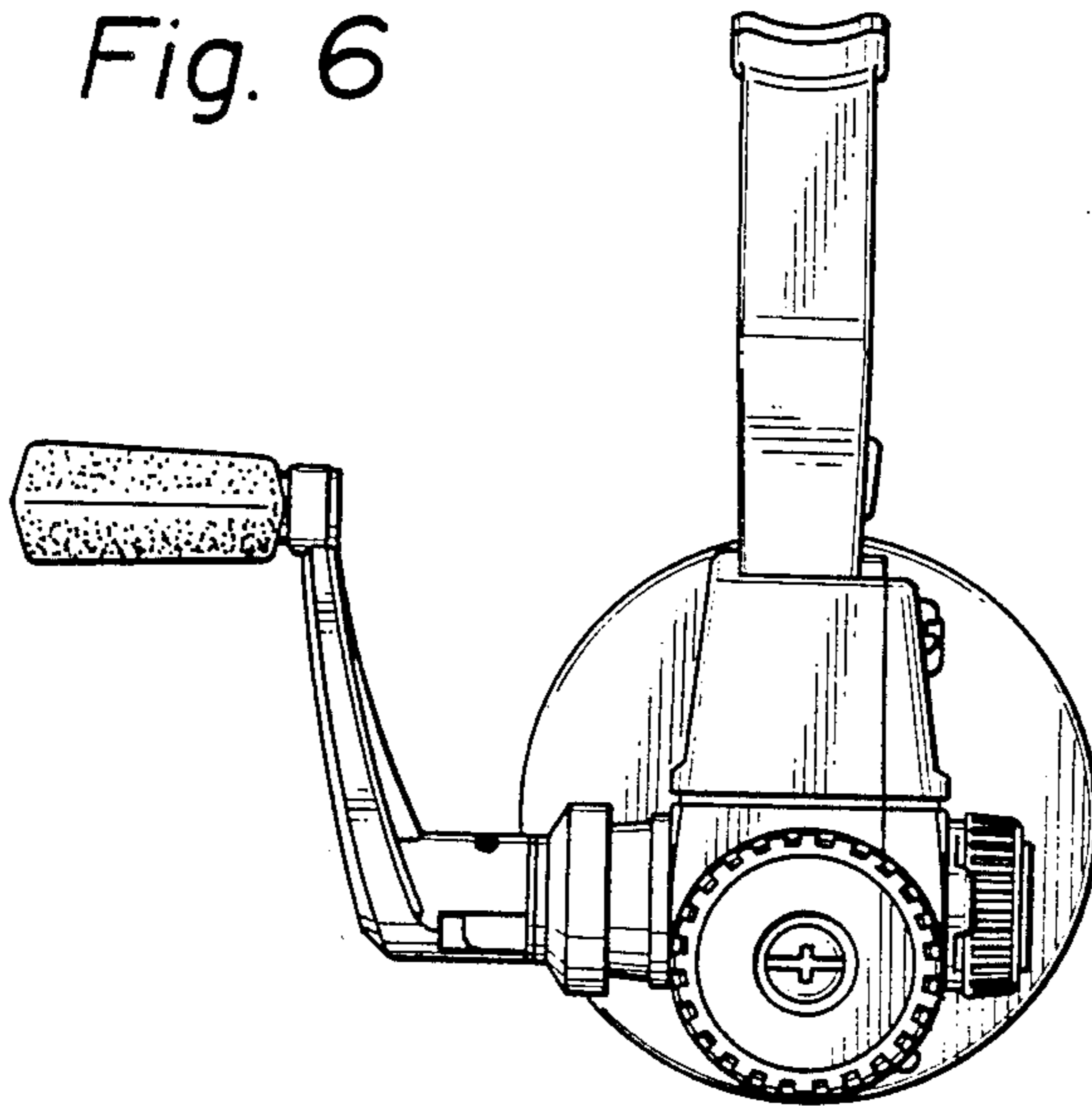


Fig. 7

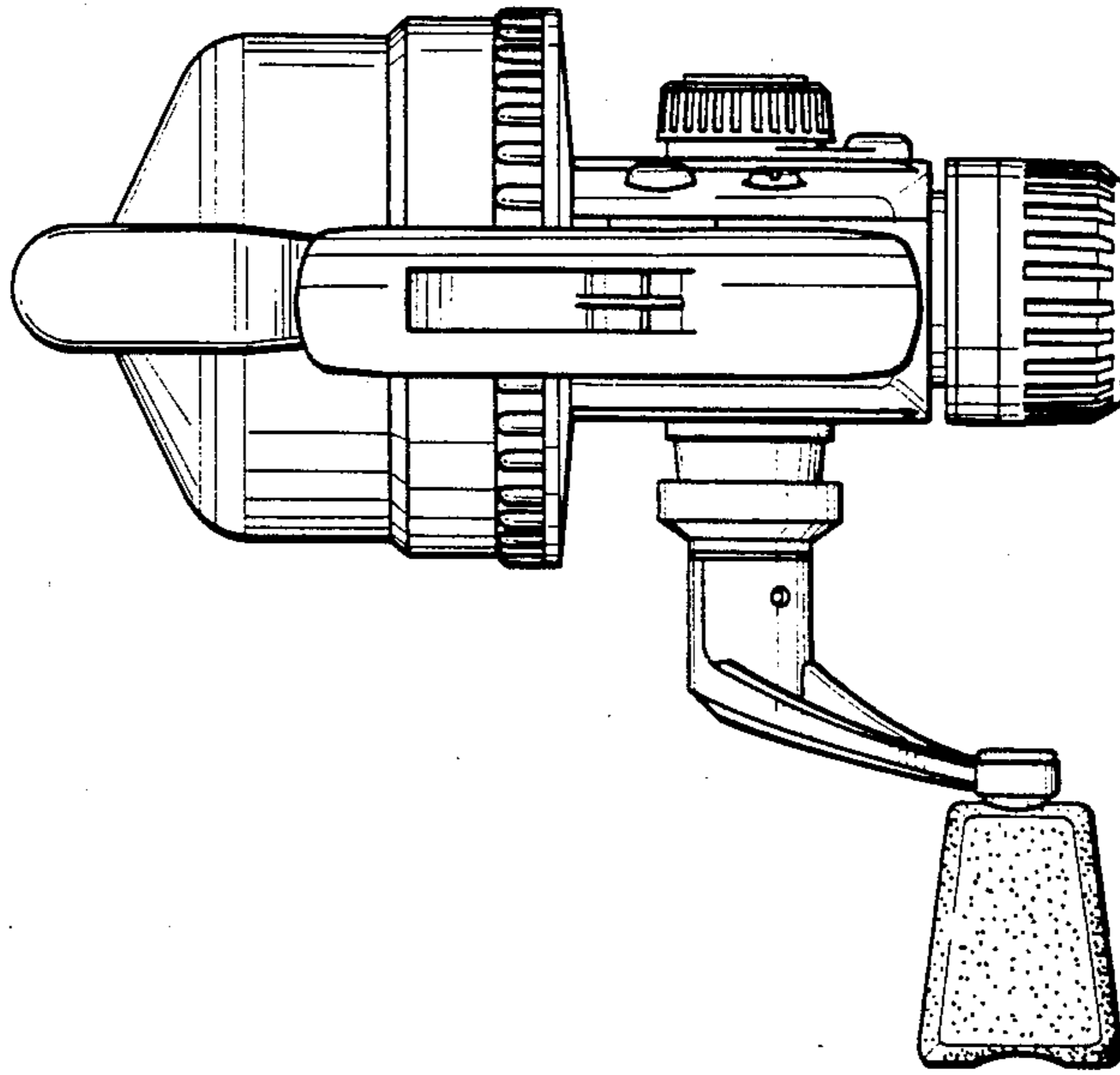


Fig. 8

