

[54] FISHING REEL

[75] Inventor: Hideo Nakamura, Tokyo, Japan

[73] Assignee: Daiwa Seiko, Inc., Tokyo, Japan

[**] Term: 14 Years

[21] Appl. No.: 762,532

[22] Filed: Aug. 5, 1985

[30] Foreign Application Priority Data

Feb. 25, 1985 [JP] Japan 60-7059

[52] U.S. Cl. D22/140

[58] Field of Search D22/140; 242/84.1 R, 242/84.2 R, 84.2 A

[56] References Cited

U.S. PATENT DOCUMENTS

- D. 258,904 4/1981 Myojo D22/140
- D. 265,497 7/1982 Sakamoto et al. D22/140
- D. 266,184 9/1982 Iinuma et al. D22/140
- D. 269,694 7/1983 Myojo D22/140
- D. 273,974 5/1984 Myojo D22/140

Primary Examiner—A. Hugo Word

Attorney, Agent, or Firm—Cushman, Darby & Cushman

[57] CLAIM

The ornamental design for a fishing reel, substantially as shown and described.

DESCRIPTION

FIG. 1 is a top, front and one side perspective view of a fishing reel showing my new design;

FIG. 2 is a top, rear and one side perspective view thereof;

FIG. 3 is a front elevation view thereof;

FIG. 4 is a top plan view thereof;

FIG. 5 is a rear elevation view thereof;

FIG. 6 is a bottom plan view thereof;

FIG. 7 is a side elevation view of one side thereof;

FIG. 8 is a side elevation view of the opposite side thereof;

FIG. 9 is a top, front and one side perspective view of yet another embodiment showing my new design;

FIG. 10 is a front elevation view thereof;

FIG. 11 is a top plan view thereof;

FIG. 12 is a rear elevation view thereof;

FIG. 13 is a bottom plan view thereof;

FIG. 14 is a side elevation view of one side thereof; and

FIG. 15 is a side elevation view of the opposite side thereof.

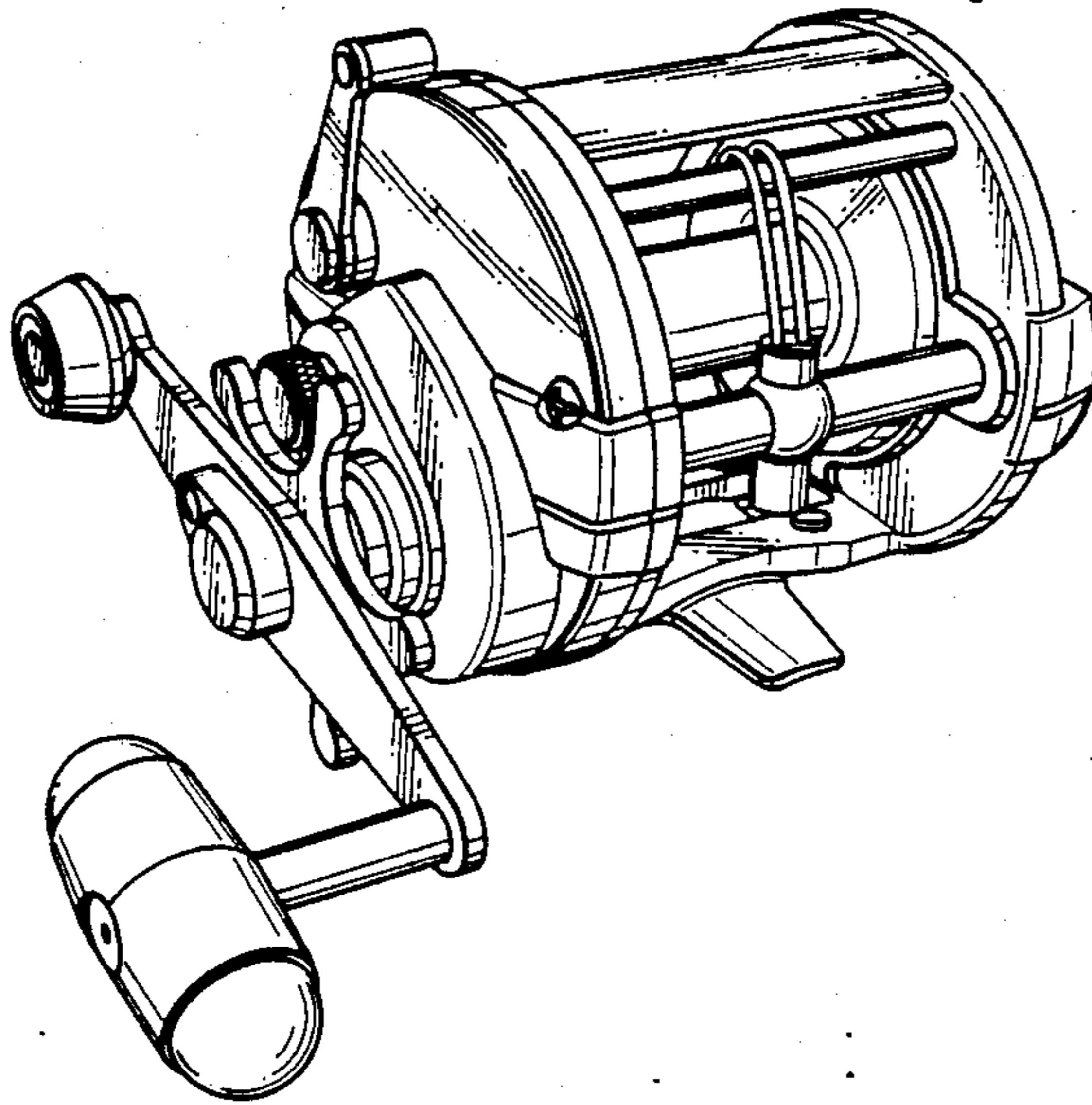


Fig. 1

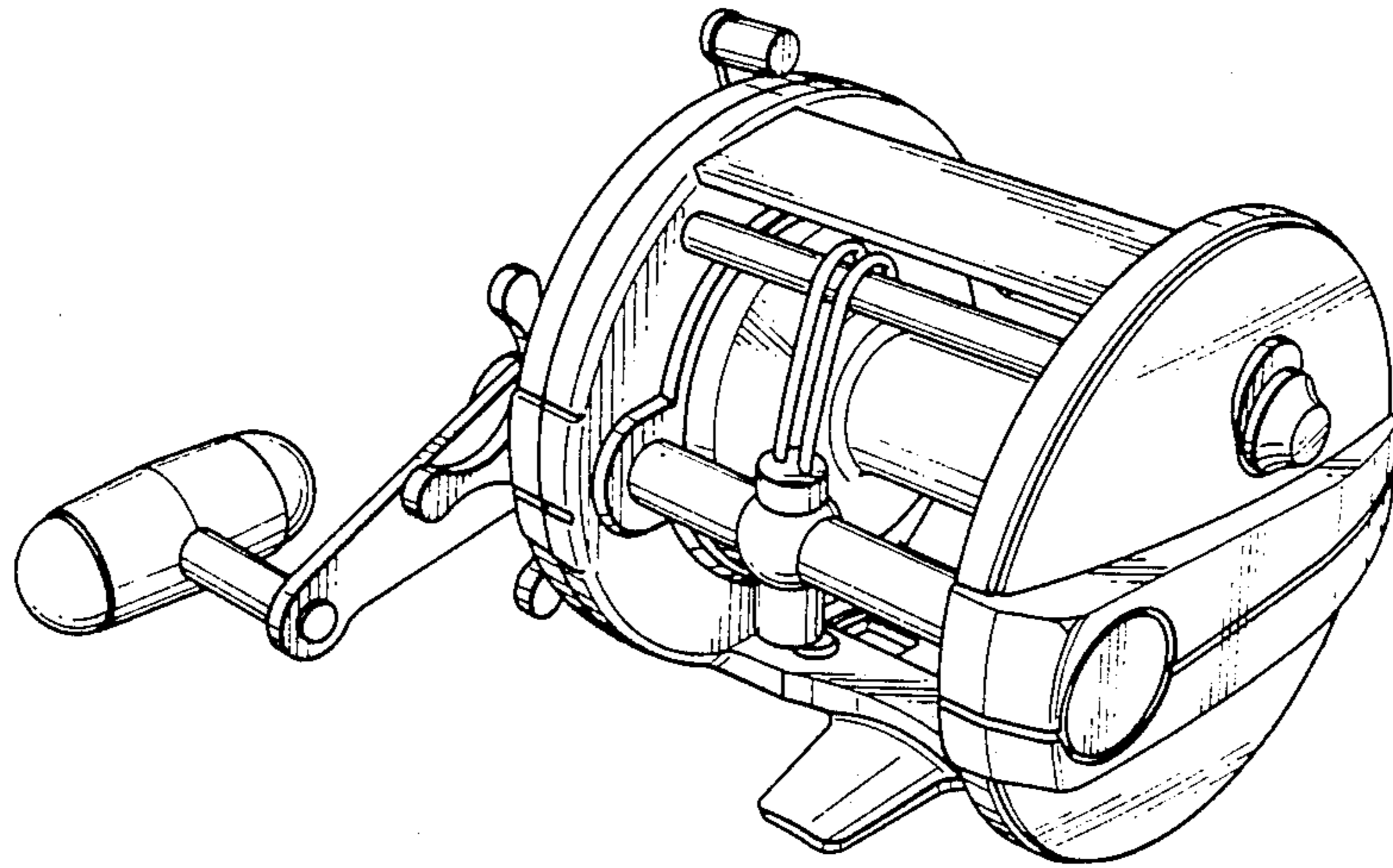


Fig. 2

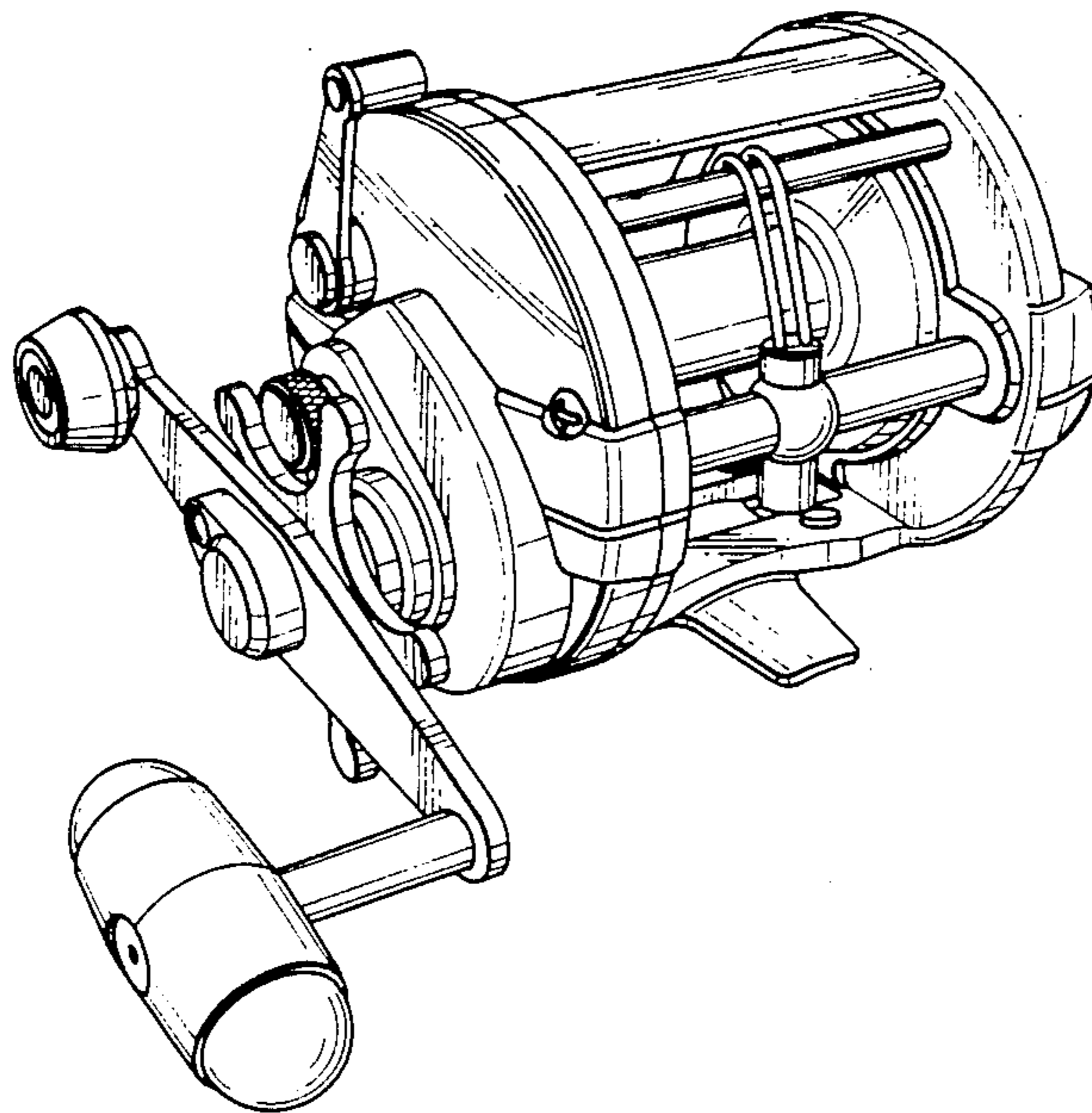


Fig. 3

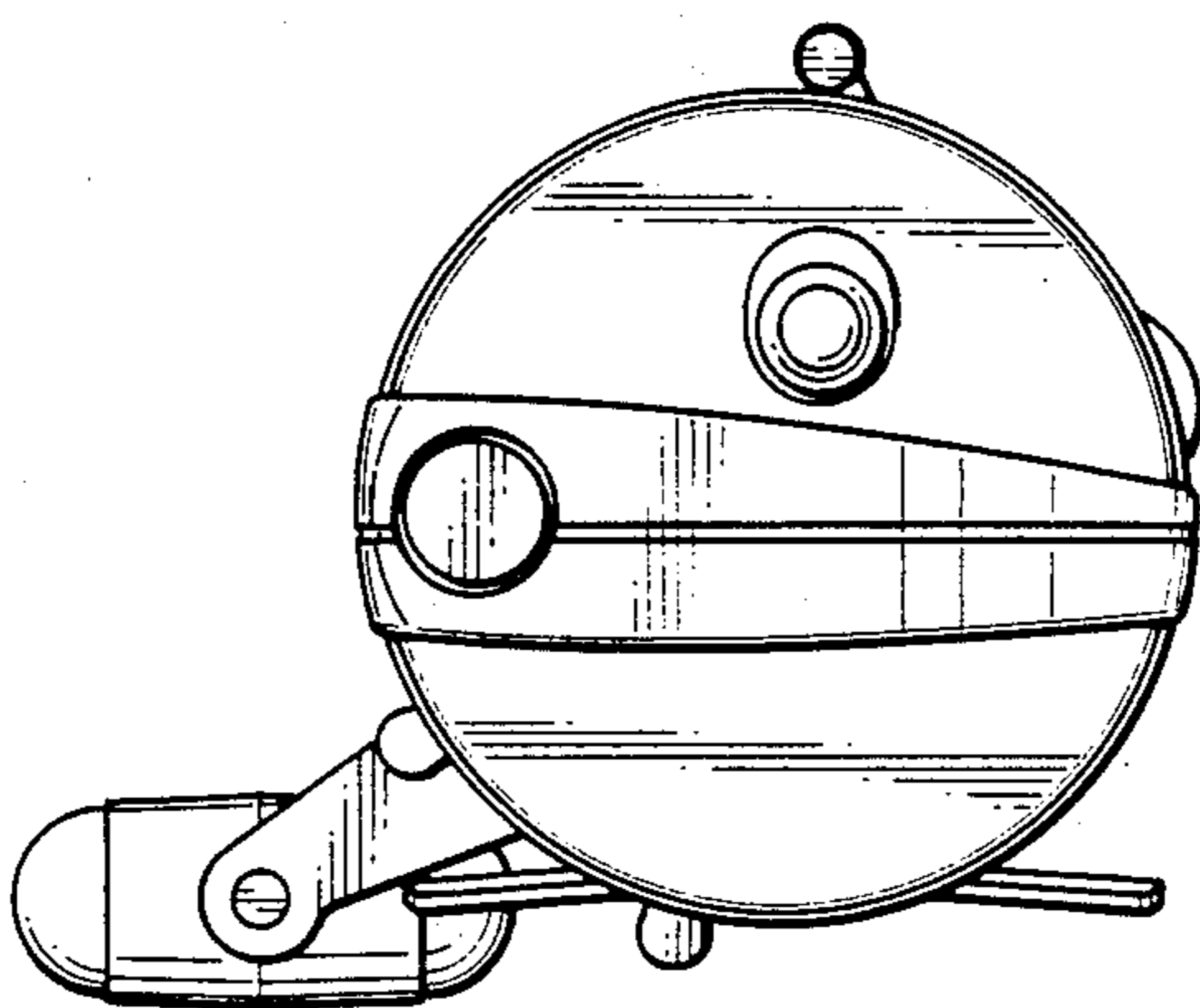


Fig. 4

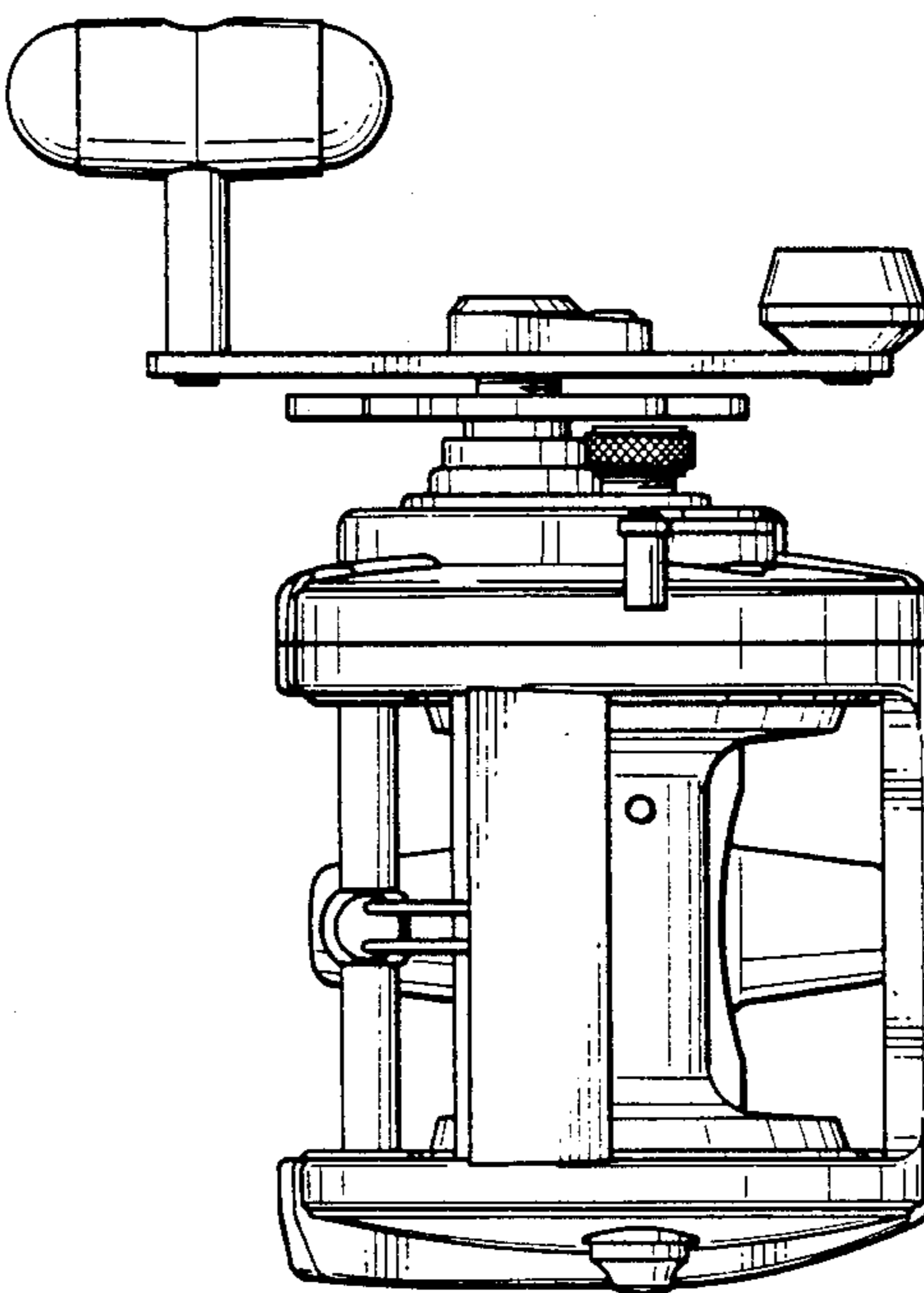


Fig. 5

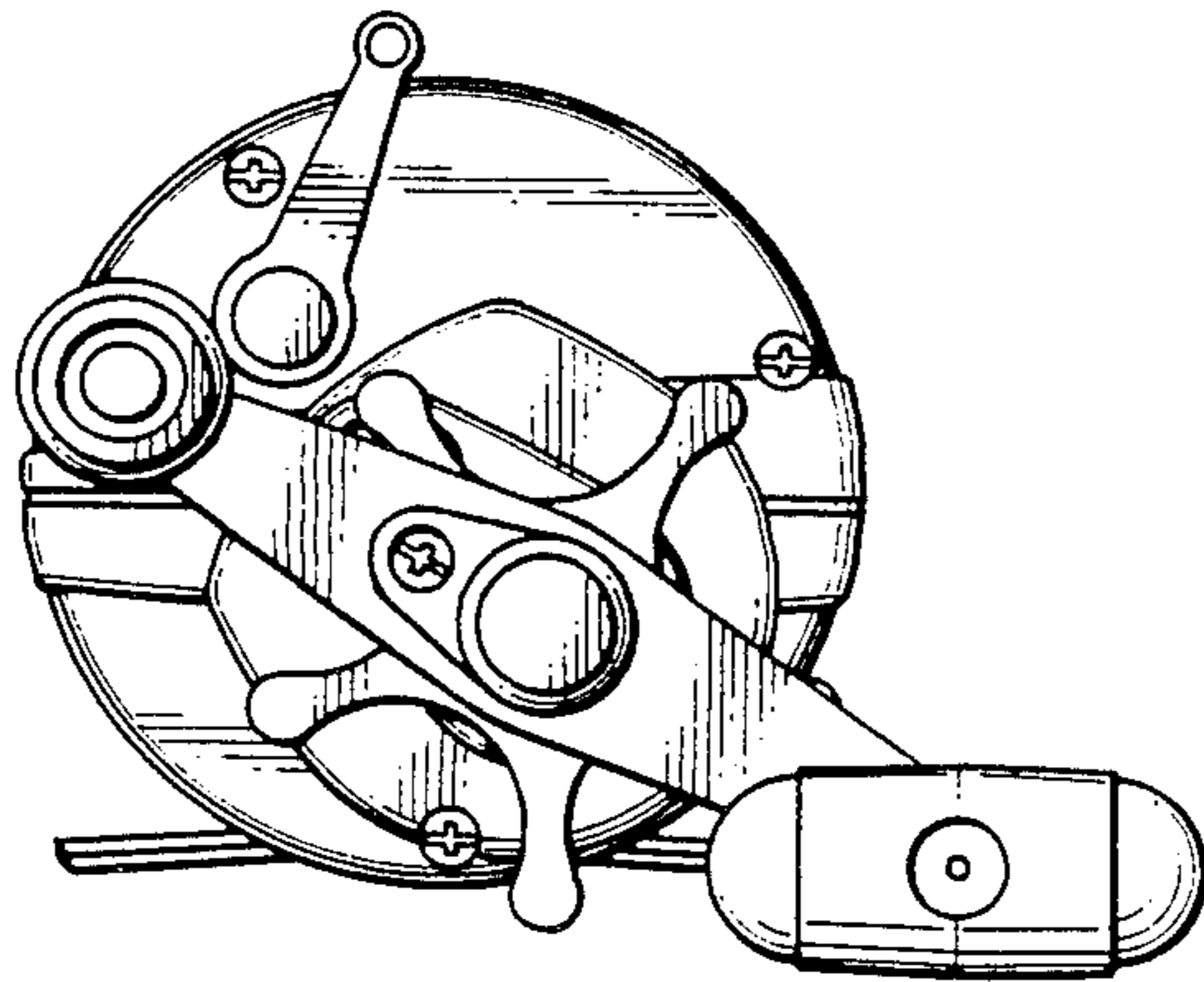


Fig. 6

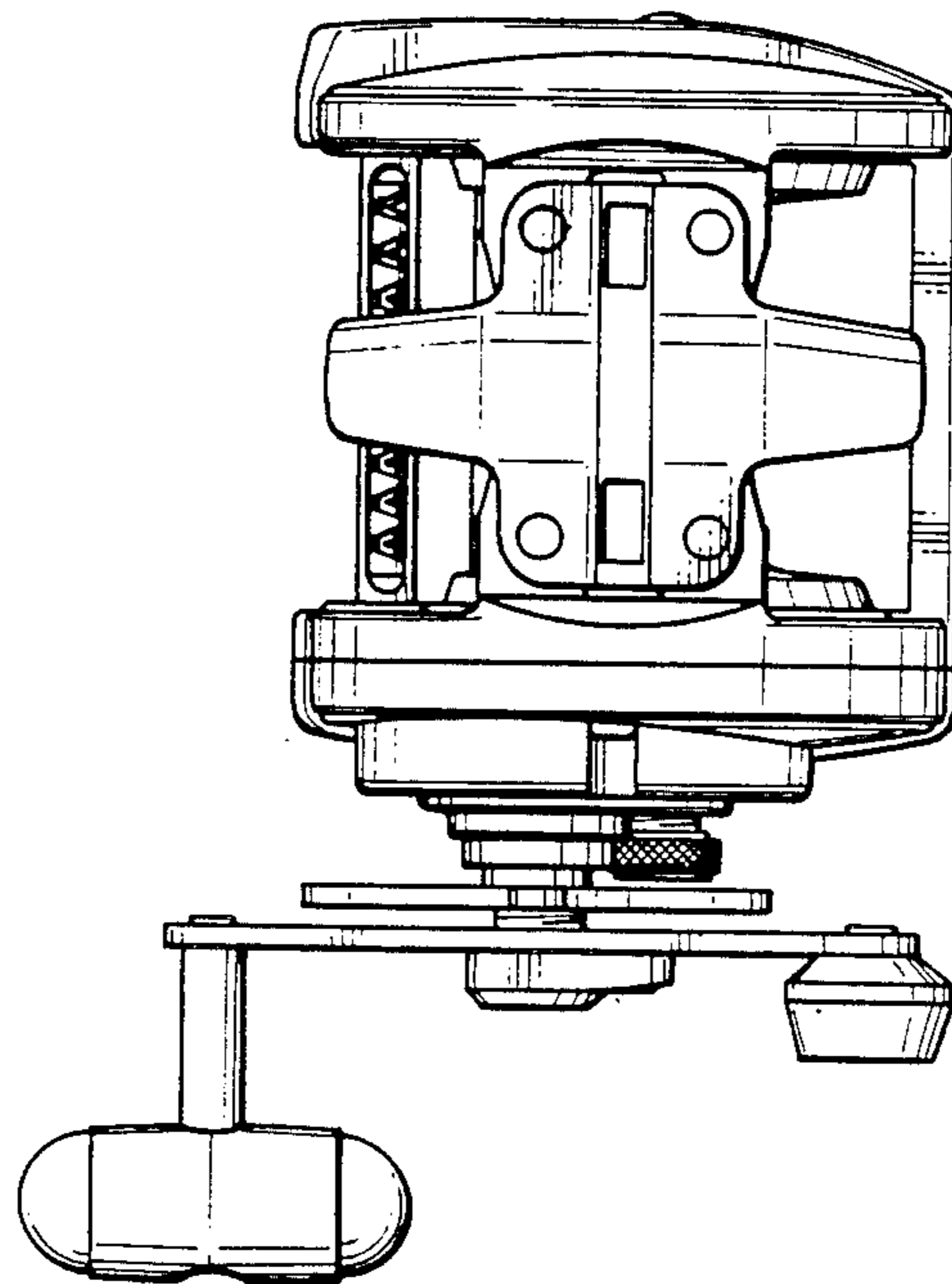


Fig. 7

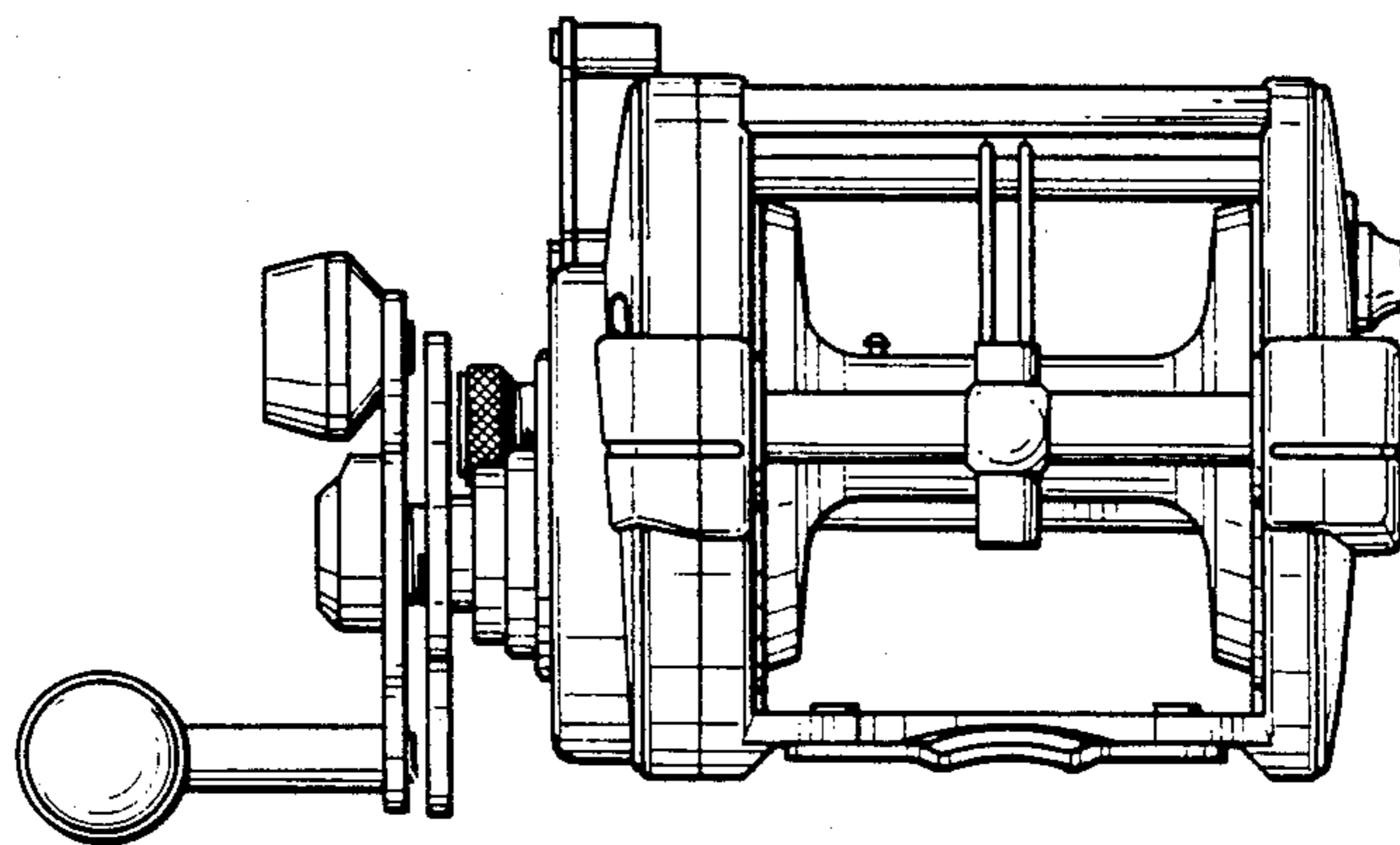


Fig. 8

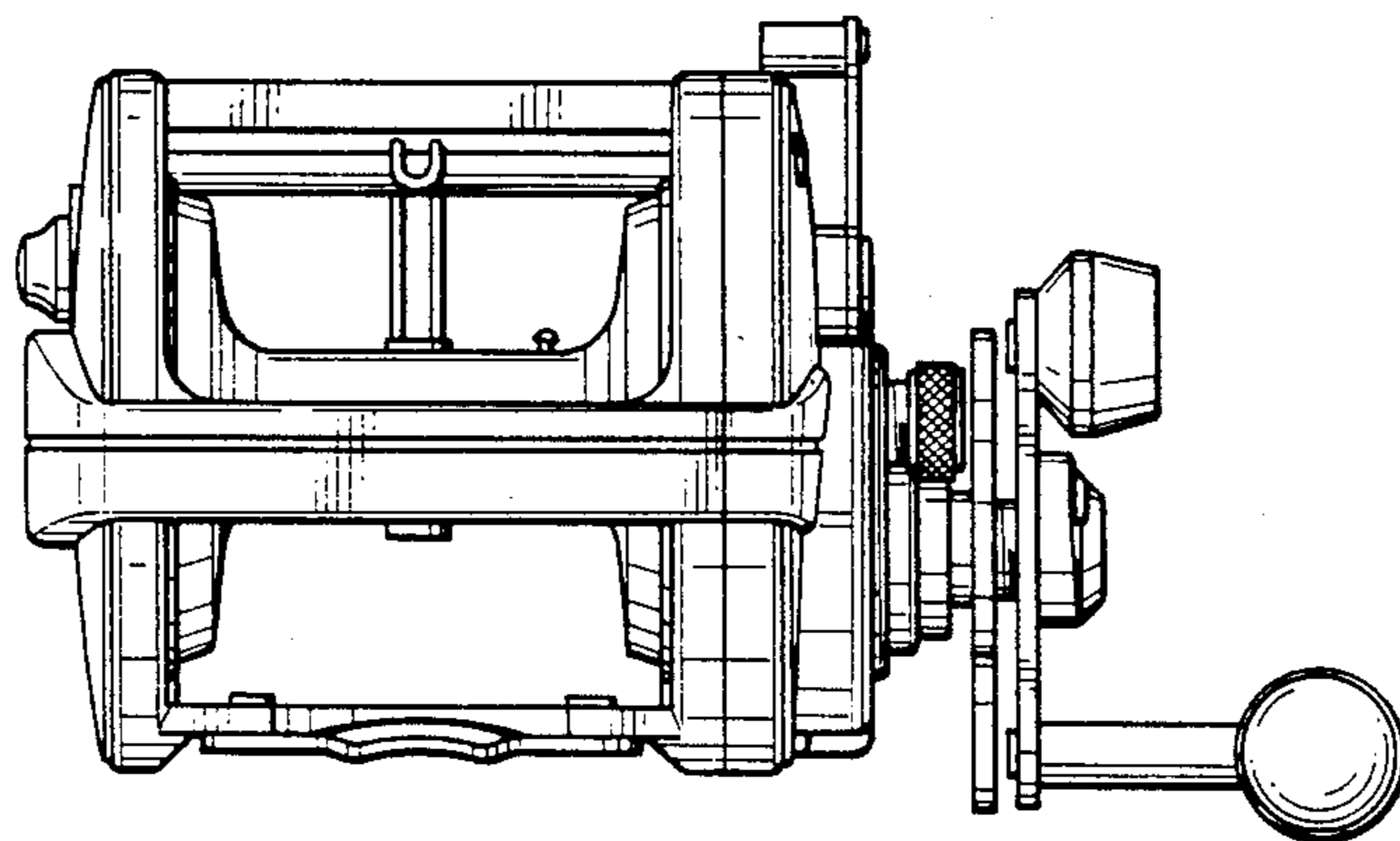


Fig. 9

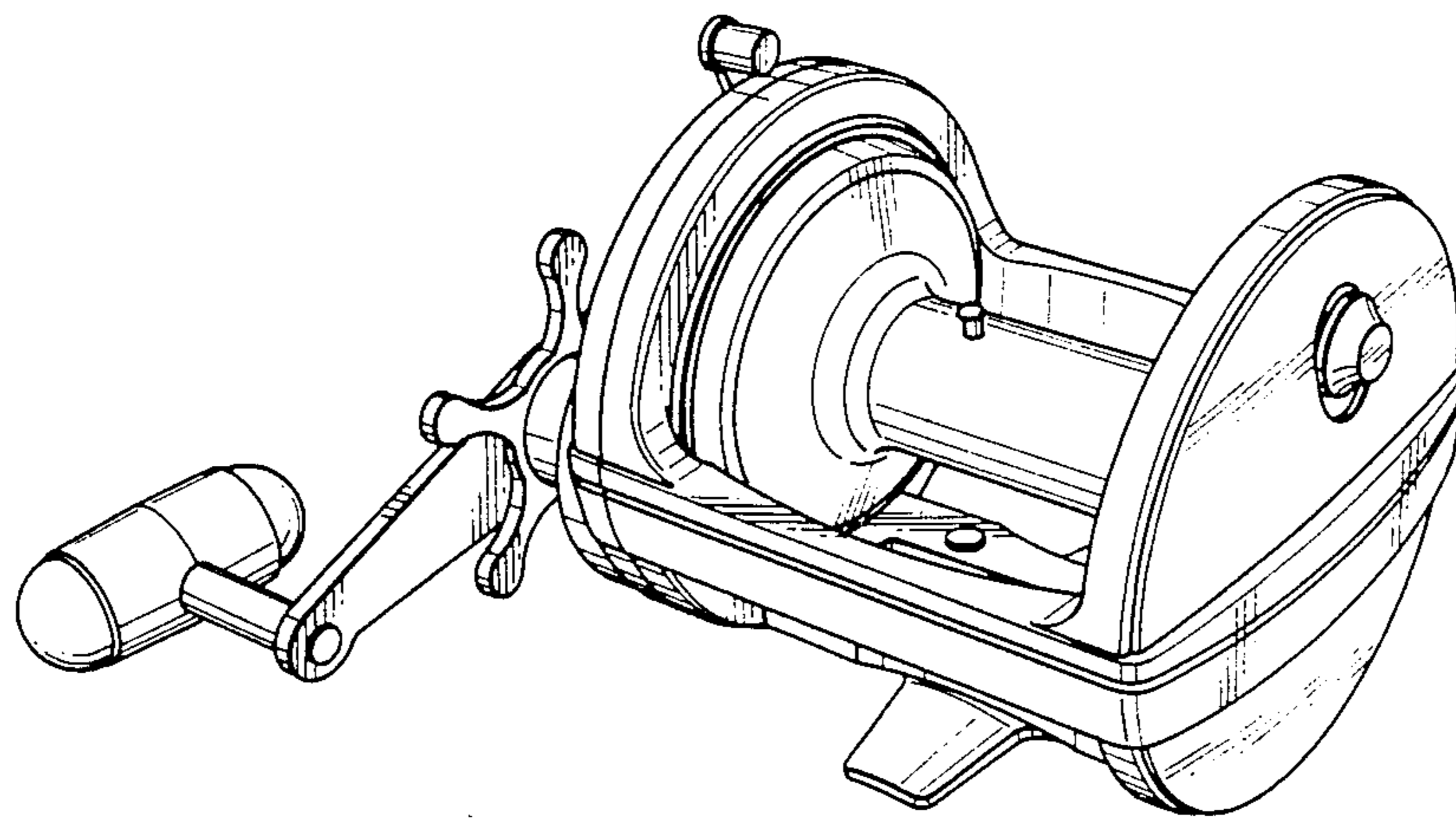


Fig. 10

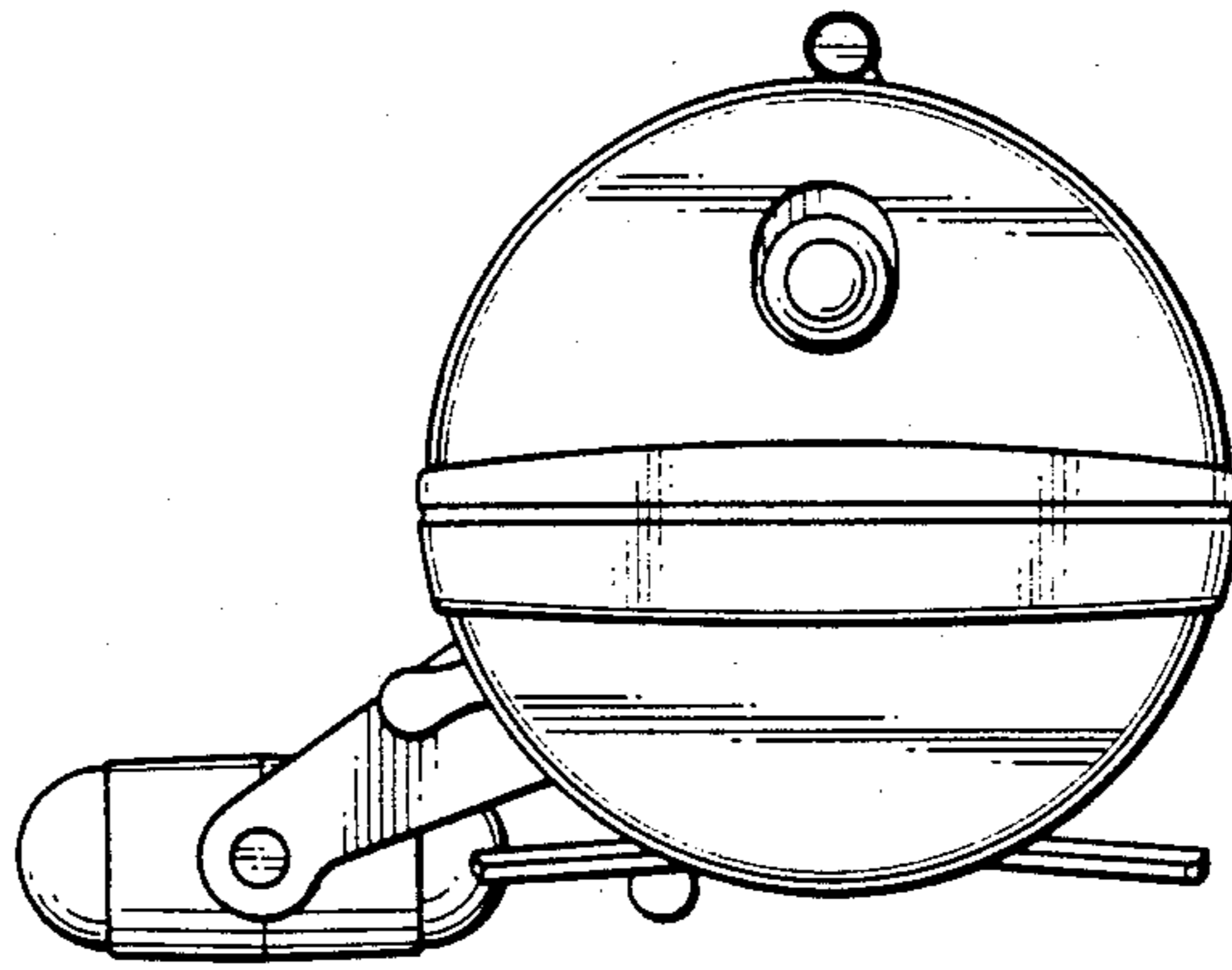


Fig. 11

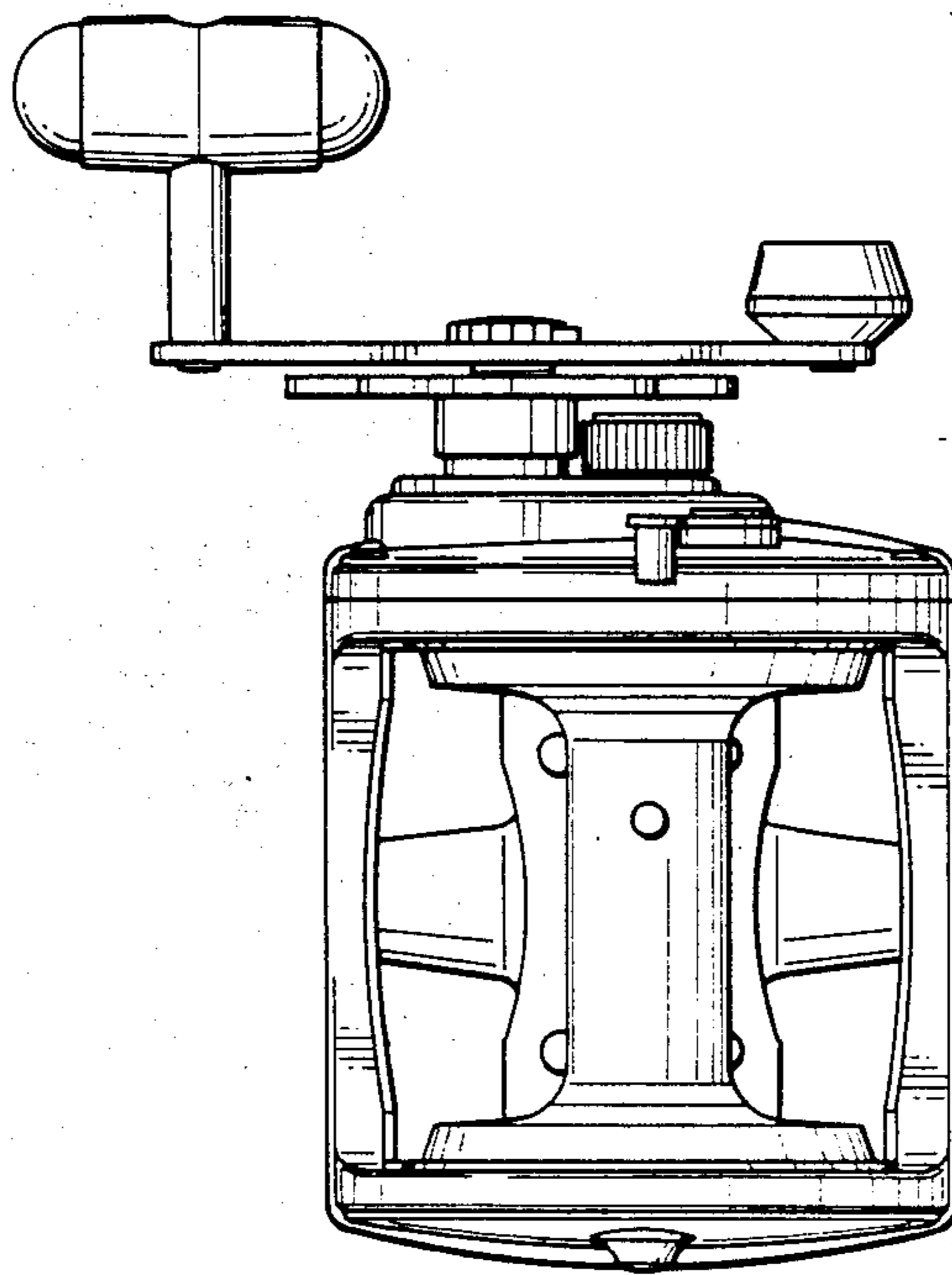


Fig.12

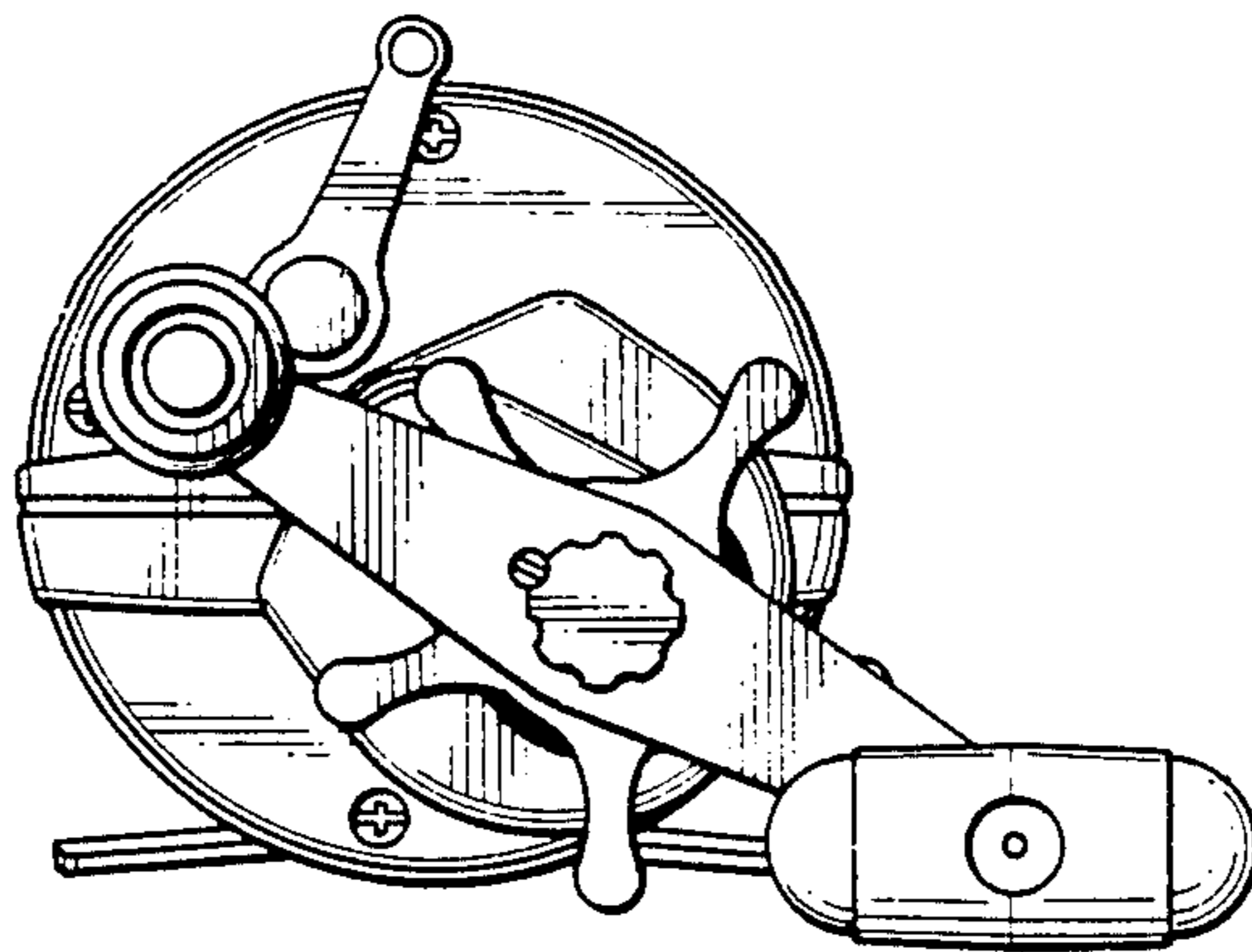


Fig.13

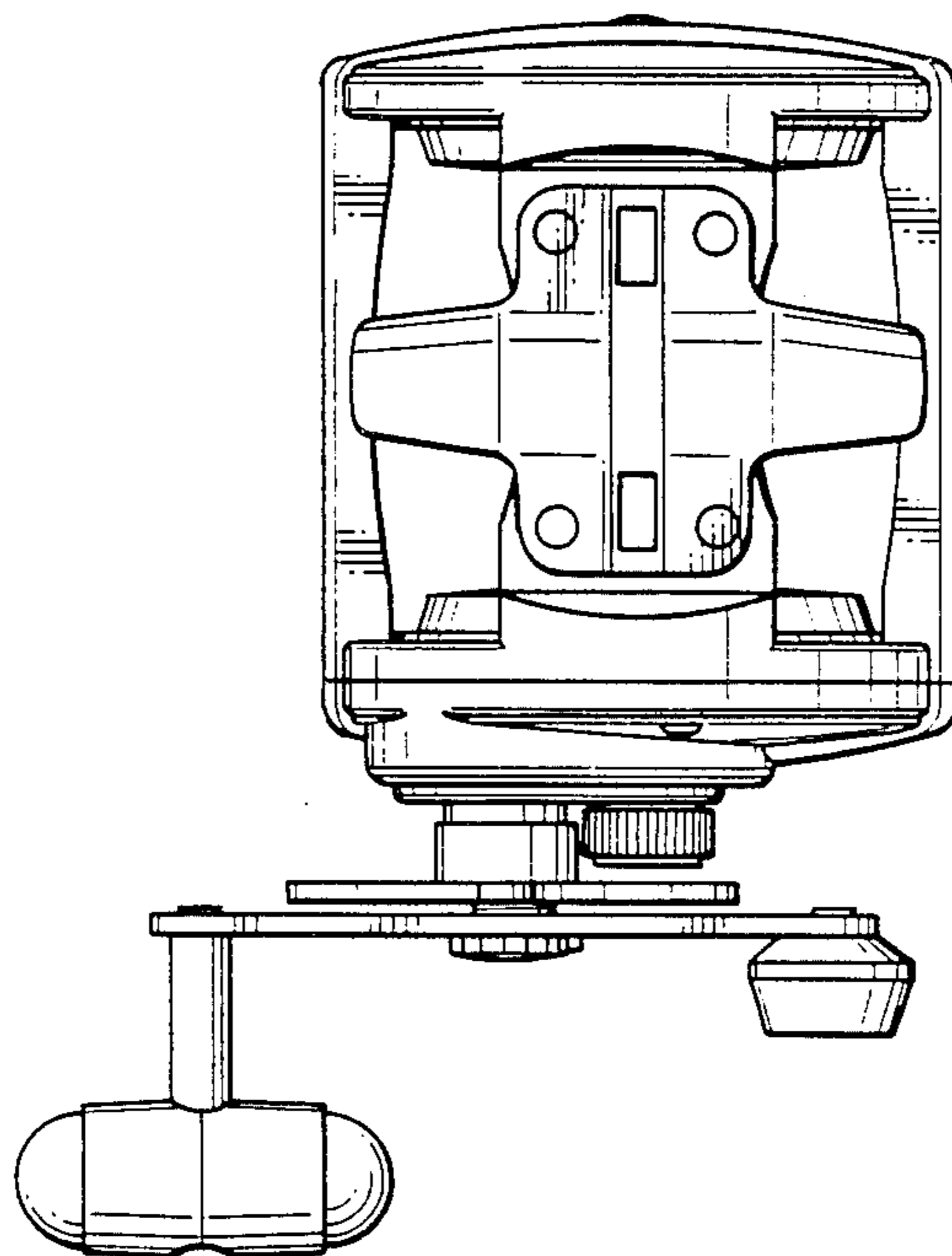


Fig. 14

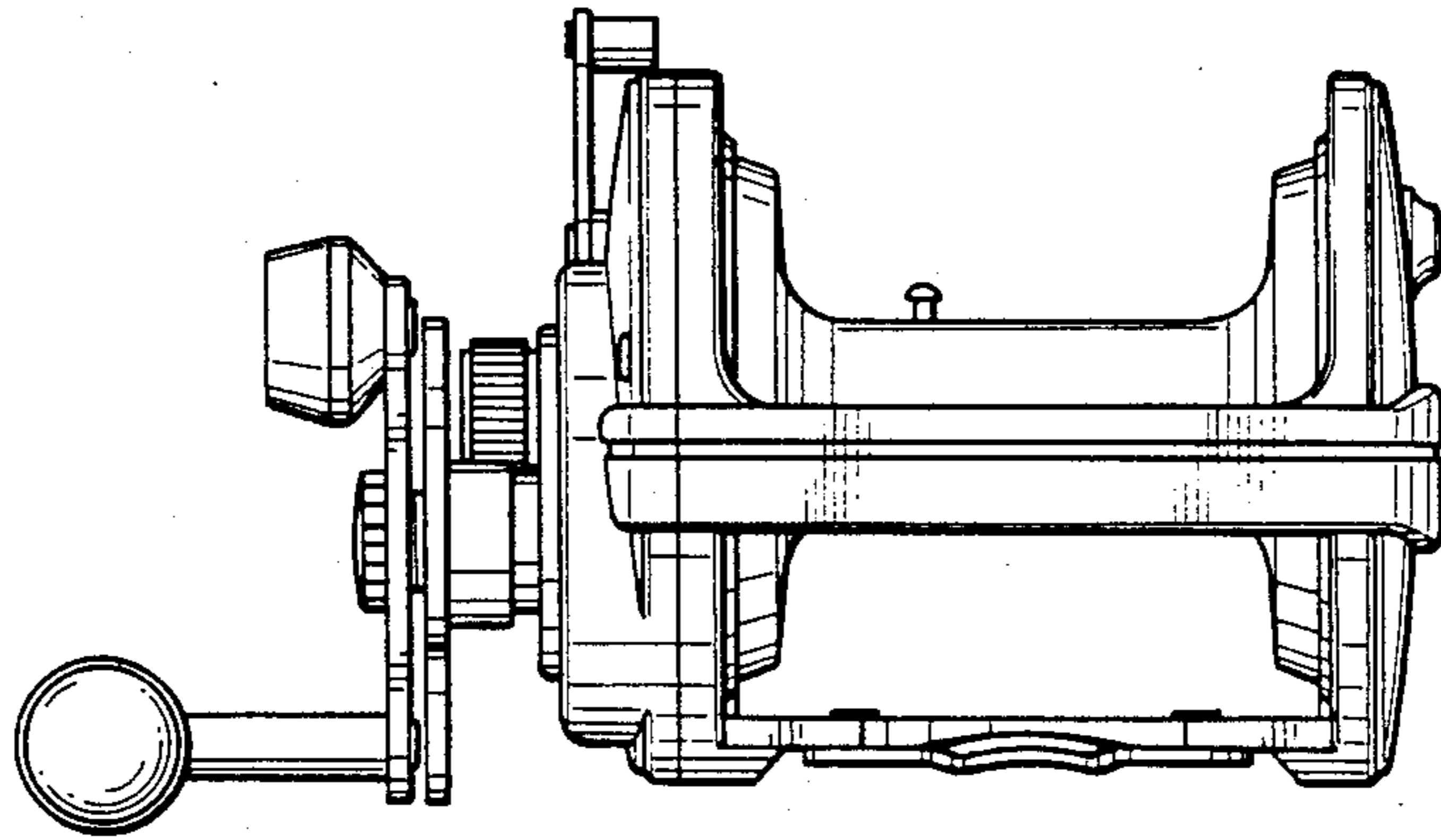


Fig. 15

