

[54] **DYNAMIC STRETCHING MACHINE**

[76] **Inventor:** Travis C. Fleming, 309 Longview St., Athens, Ala. 35611

[\*\*] **Term:** 14 Years

[21] **Appl. No.:** 776,512

[22] **Filed:** Sep. 16, 1985

[52] **U.S. Cl.** ..... D21/191

[58] **Field of Search** ..... D21/191-199;  
272/94, 109, 70.3, 116, 125, 134, 143, 144

[56] **References Cited**

**U.S. PATENT DOCUMENTS**

- 4,319,747 3/1982 Rogers ..... 272/134
- 4,456,247 6/1984 Ehrenfried ..... 272/134

**OTHER PUBLICATIONS**

"Black Belt" Magazine, 4-1974, "GI" Stretching Machine.

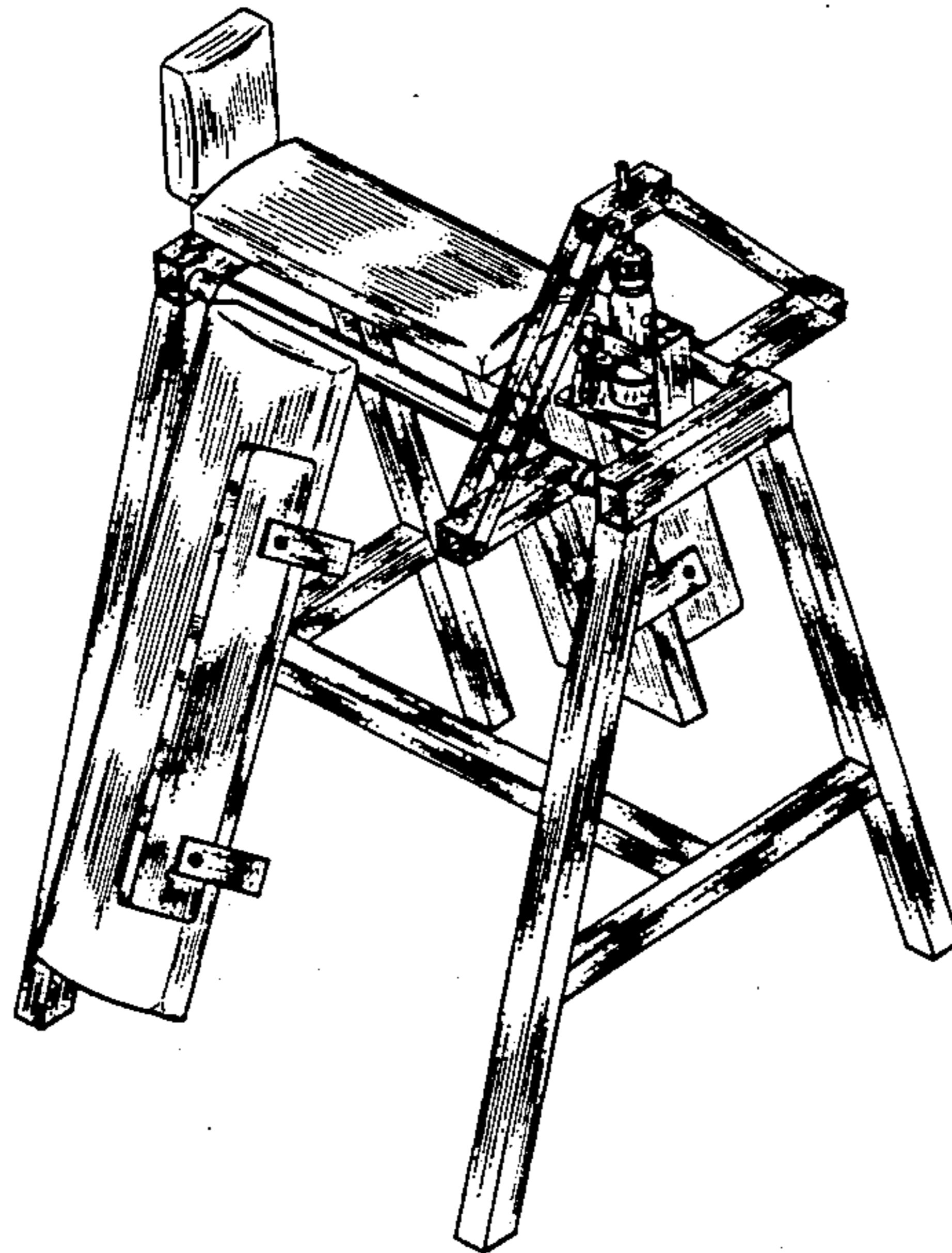
*Primary Examiner*—Charles A. Rademaker  
*Attorney, Agent, or Firm*—C. A. Phillips

[57] **CLAIM**

The ornamental design for a dynamic stretching machine, substantially as shown and described.

**DESCRIPTION**

FIG. 1 is a front perspective view of a dynamic stretching machine showing my new design; FIG. 2 is a rear perspective view thereof; FIG. 3 is a bottom plan view thereof; and FIG. 4 is a front elevational view thereof showing the design in an alternate condition.



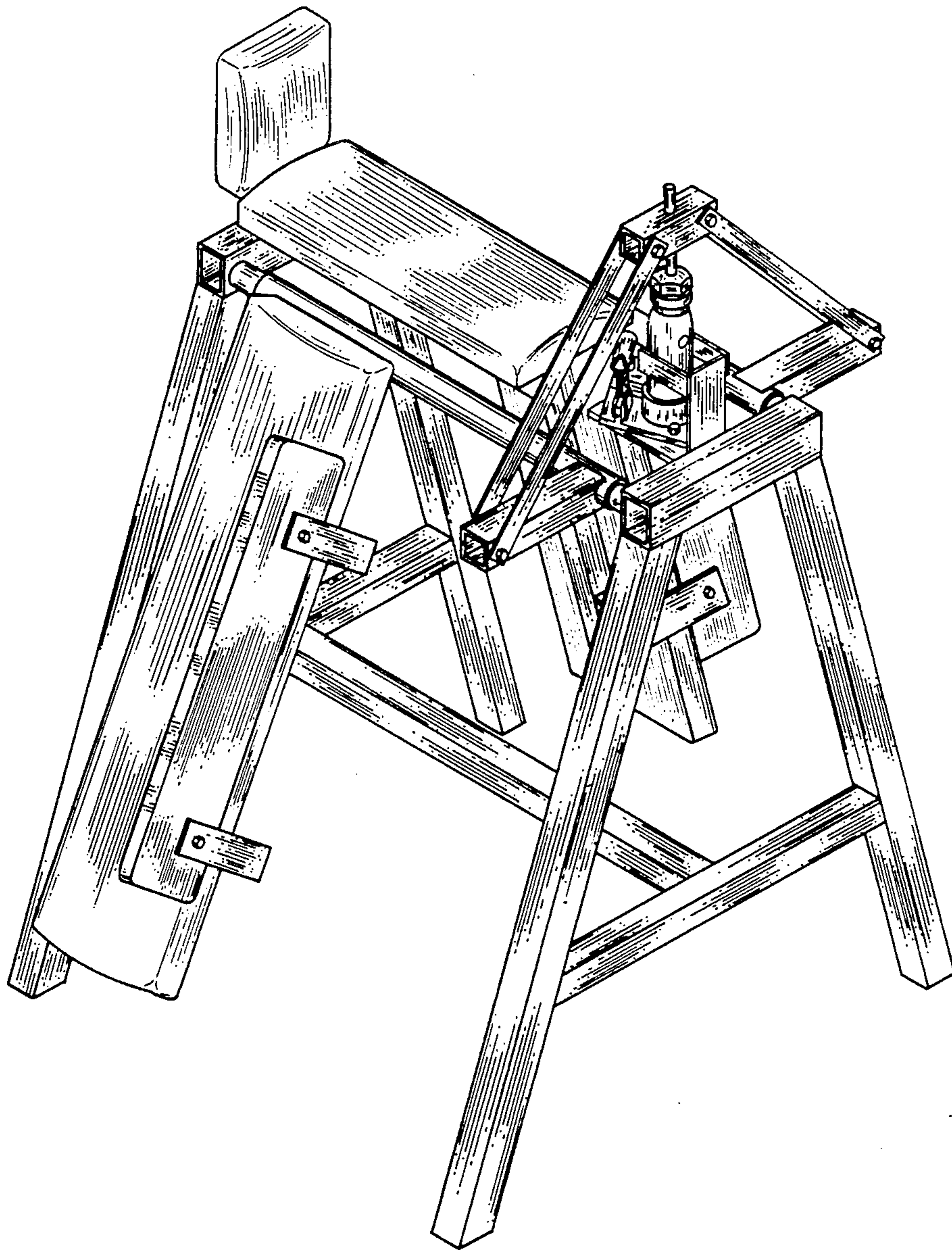


FIG. 1

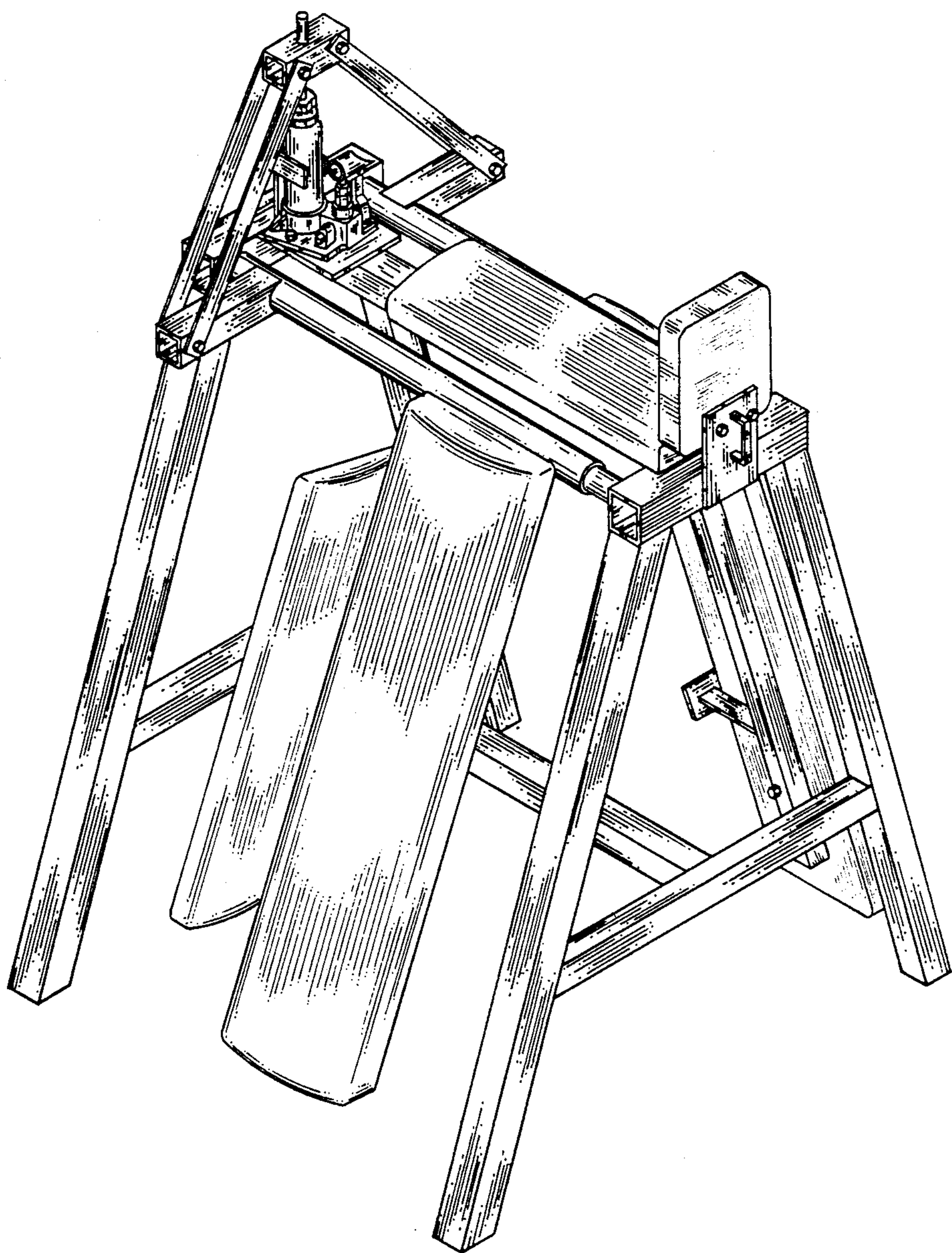


FIG. 2

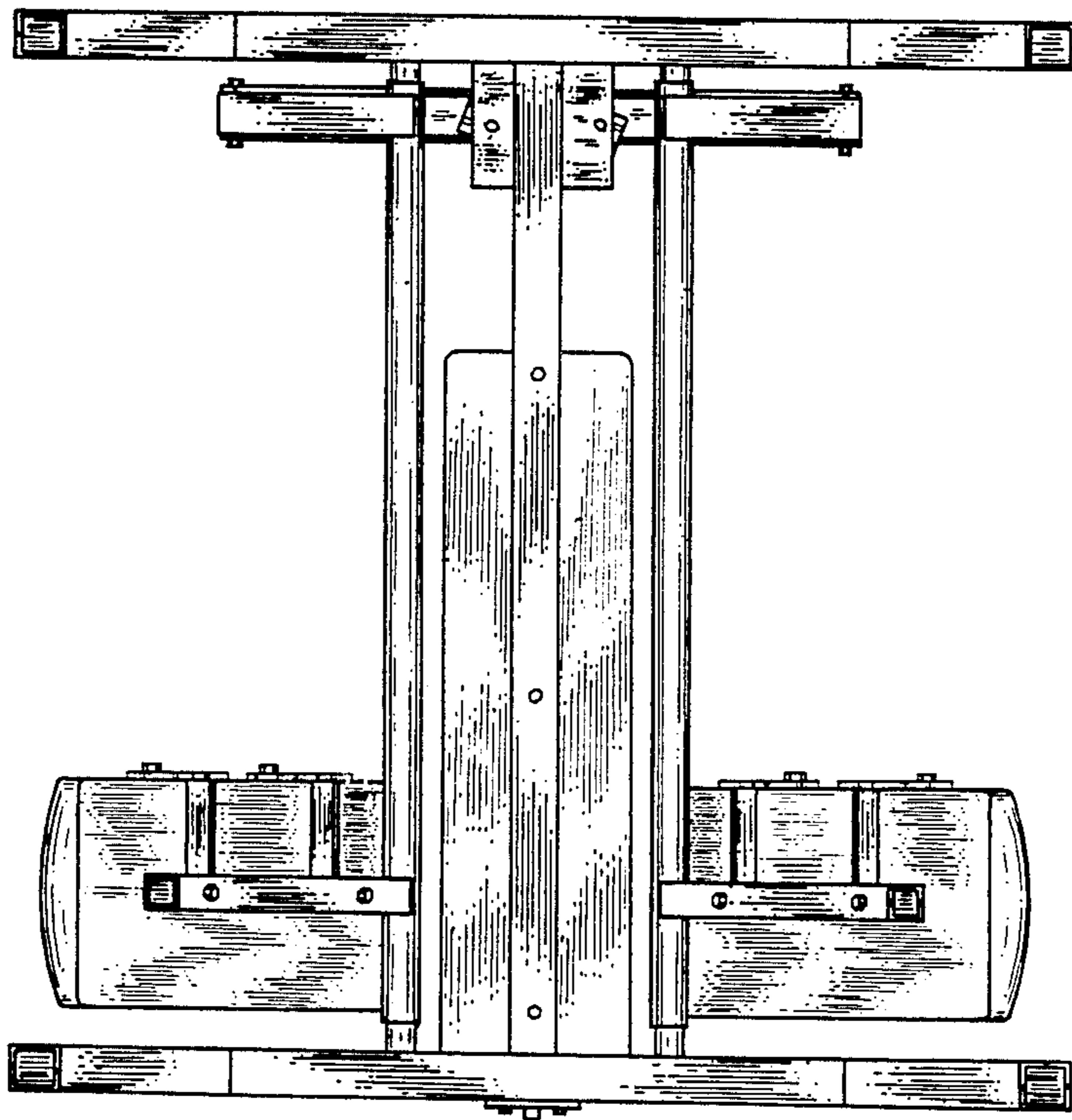


FIG. 3

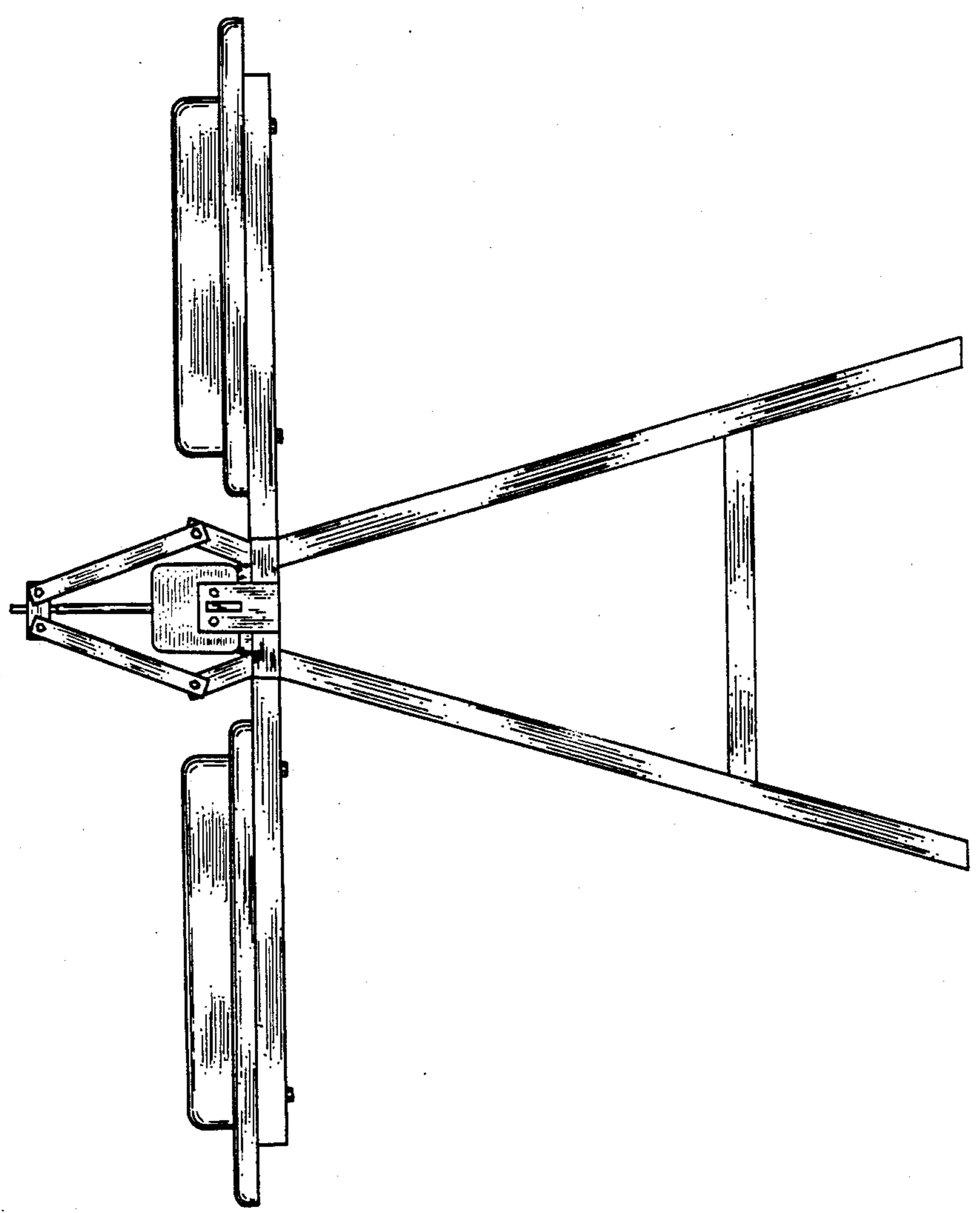


FIG. 4