

[54] **ELECTROPHOTOGRAPHIC COPYING MACHINE**
[75] **Inventor: Andrew T. Serbinski, Brooklyn, N.Y.**
[73] **Assignee: Ricoh Co., Ltd., Tokyo, Japan**
[**] **Term: 14 Years**
[21] **Appl. No.: 759,128**
[22] **Filed: Jul. 25, 1985**
[30] **Foreign Application Priority Data**
Jan. 25, 1985 [JP] Japan 60-002346
[52] **U.S. Cl. D16/32**
[58] **Field of Search D16/27-32;**
355/3 R, 3 SH, 8, 5, 11, 14 R, 14 SH, 18-19,
45-51, 54

[56] **References Cited**
U.S. PATENT DOCUMENTS
D. 270,164 8/1983 Sawada D16/31
D. 276,347 11/1984 Matsuzaka D16/31
D. 280,634 9/1985 Imada D16/31

D. 285,209 8/1986 Kosako D16/31
4,364,656 12/1982 Yanagawa 355/3 R
4,502,776 3/1985 Matsumoto 355/14 SH
4,589,760 5/1986 Iimori 355/8
4,597,662 7/1986 Hirata 355/3 R

Primary Examiner—Nelson C. Holtje
Attorney, Agent, or Firm—Oblon, Fisher, Spivak,
McClelland, & Maier

[57] **CLAIM**

The ornamental design for electrophotographic copying machine, as shown and described.

DESCRIPTION

FIG. 1 is a front, top and right side perspective view of electrophotographic copying machine, showing my new design.
FIG. 2 is a front elevational view thereof.
FIG. 3 is a top plan view thereof.
FIG. 4 is a right side elevational view thereof.
FIG. 5 is a left side elevational view thereof.
FIG. 6 is a rear elevational view thereof.
FIG. 7 is a bottom plan view thereof.

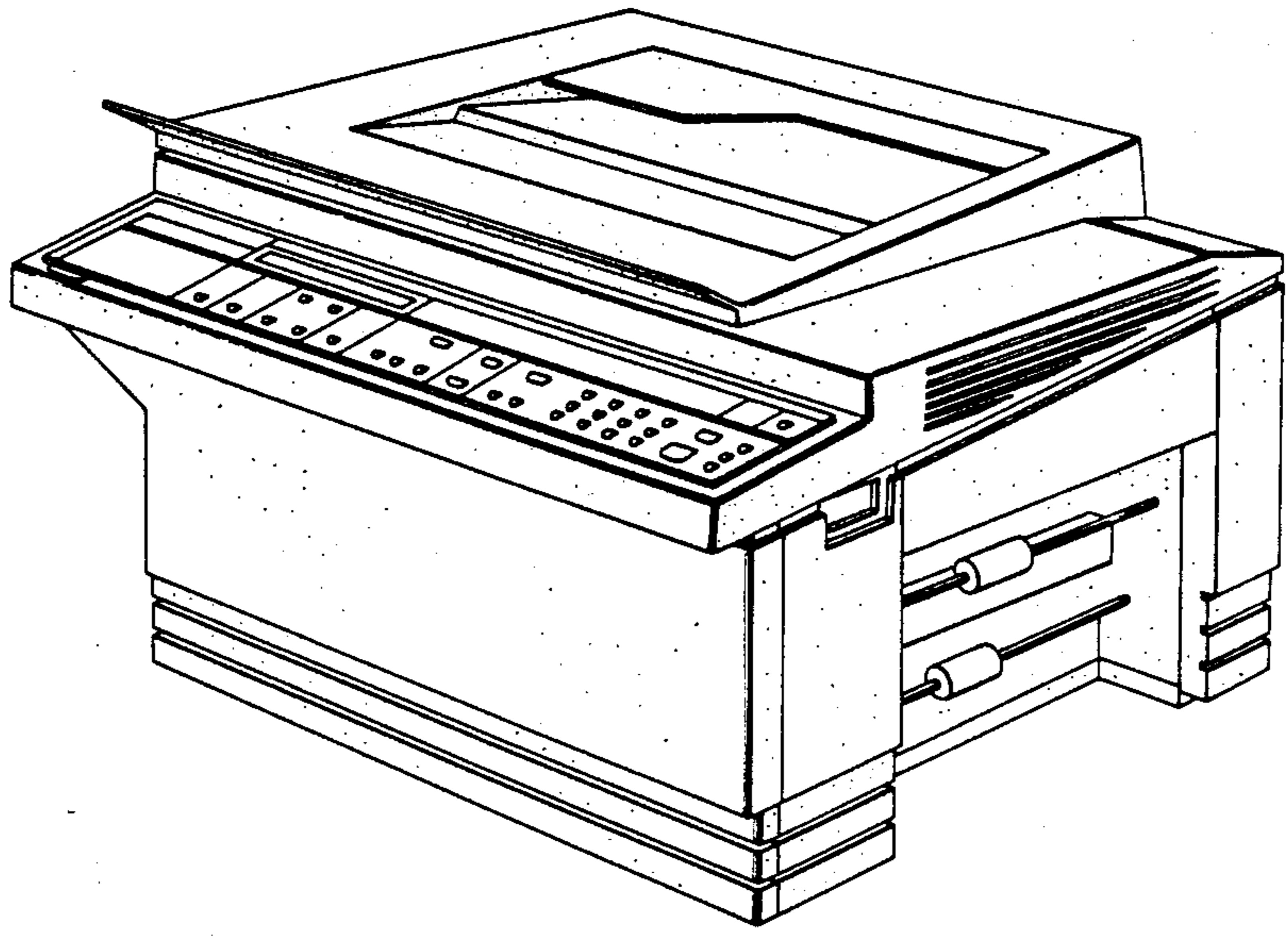


FIG. 1

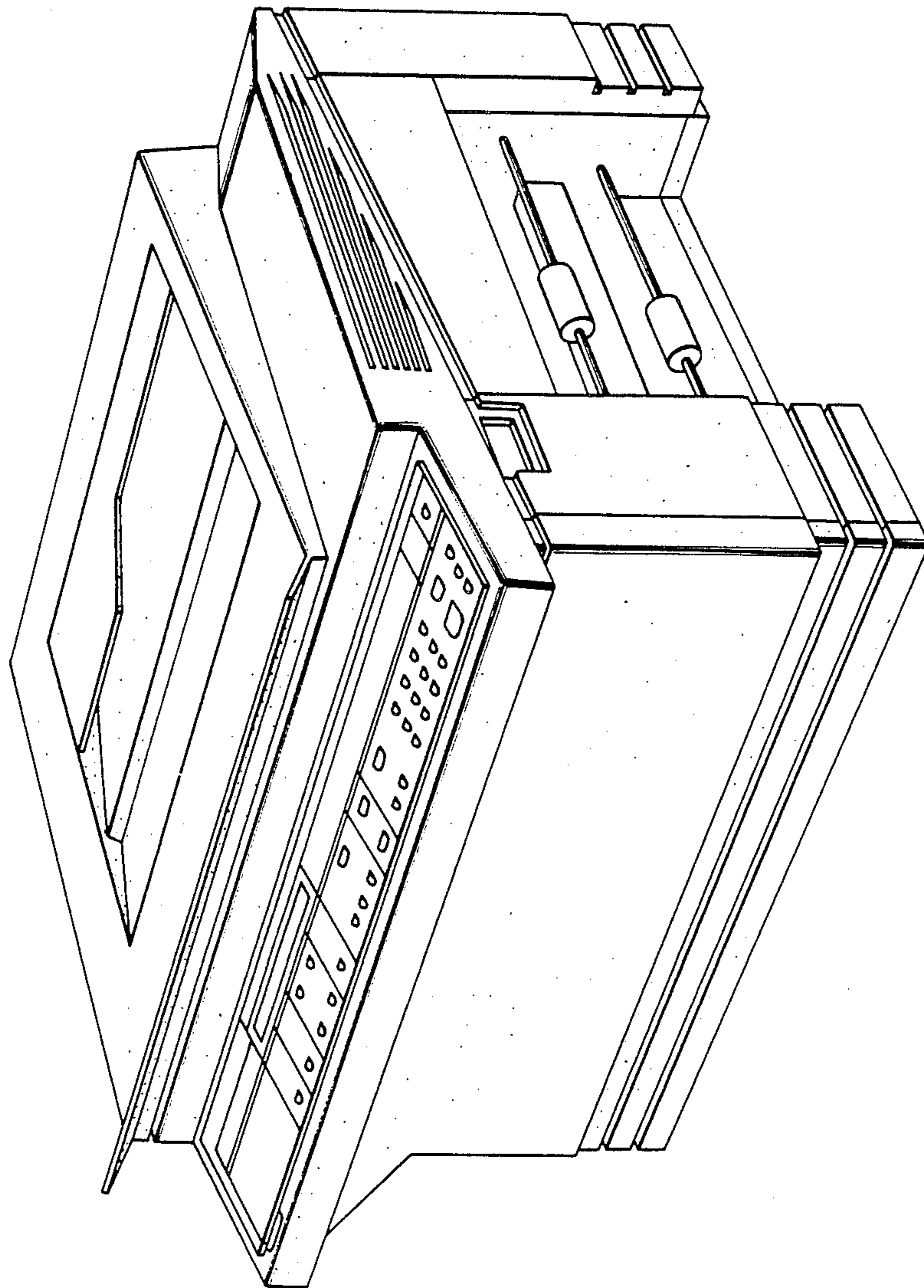


FIG. 3

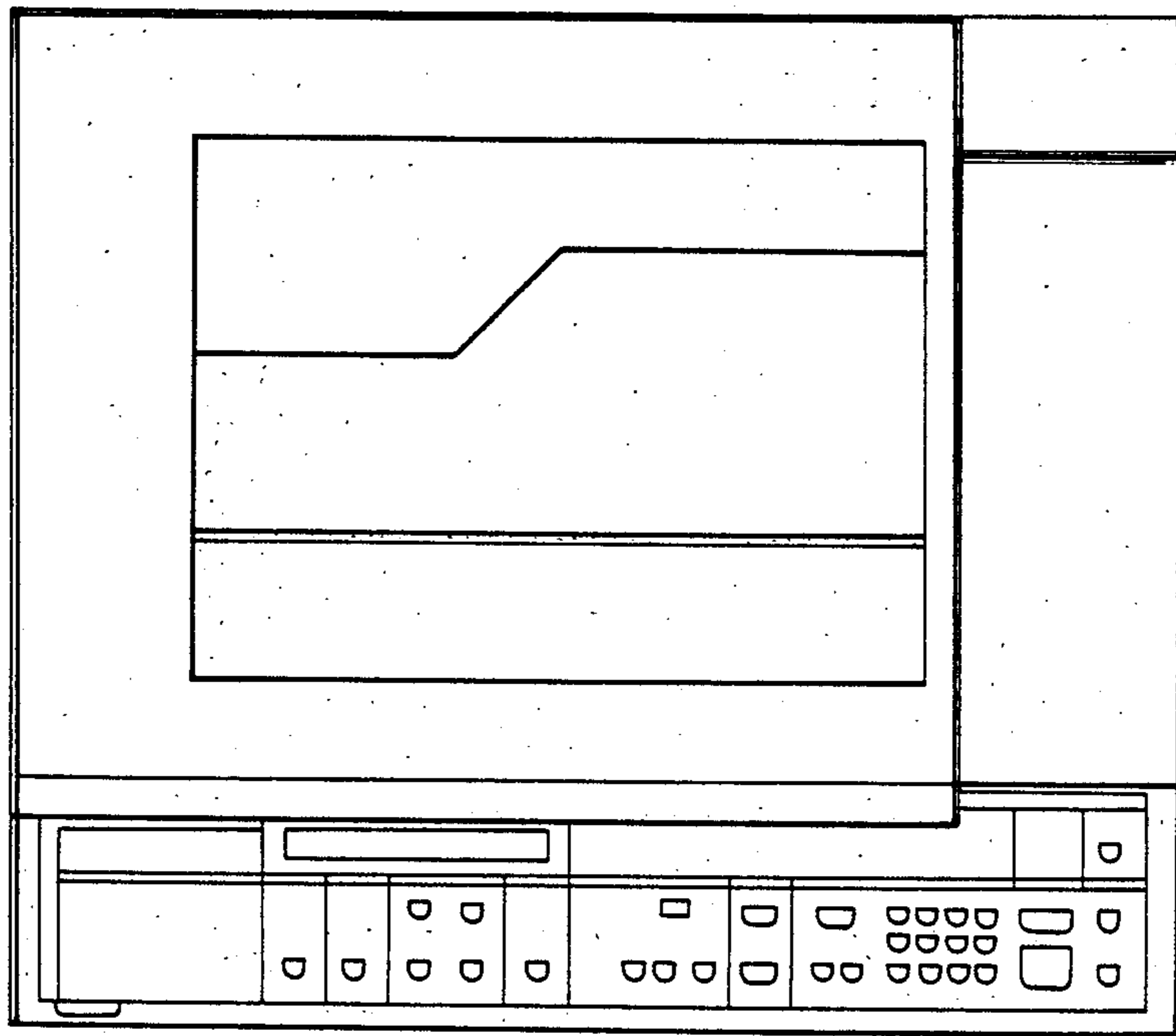


FIG. 2

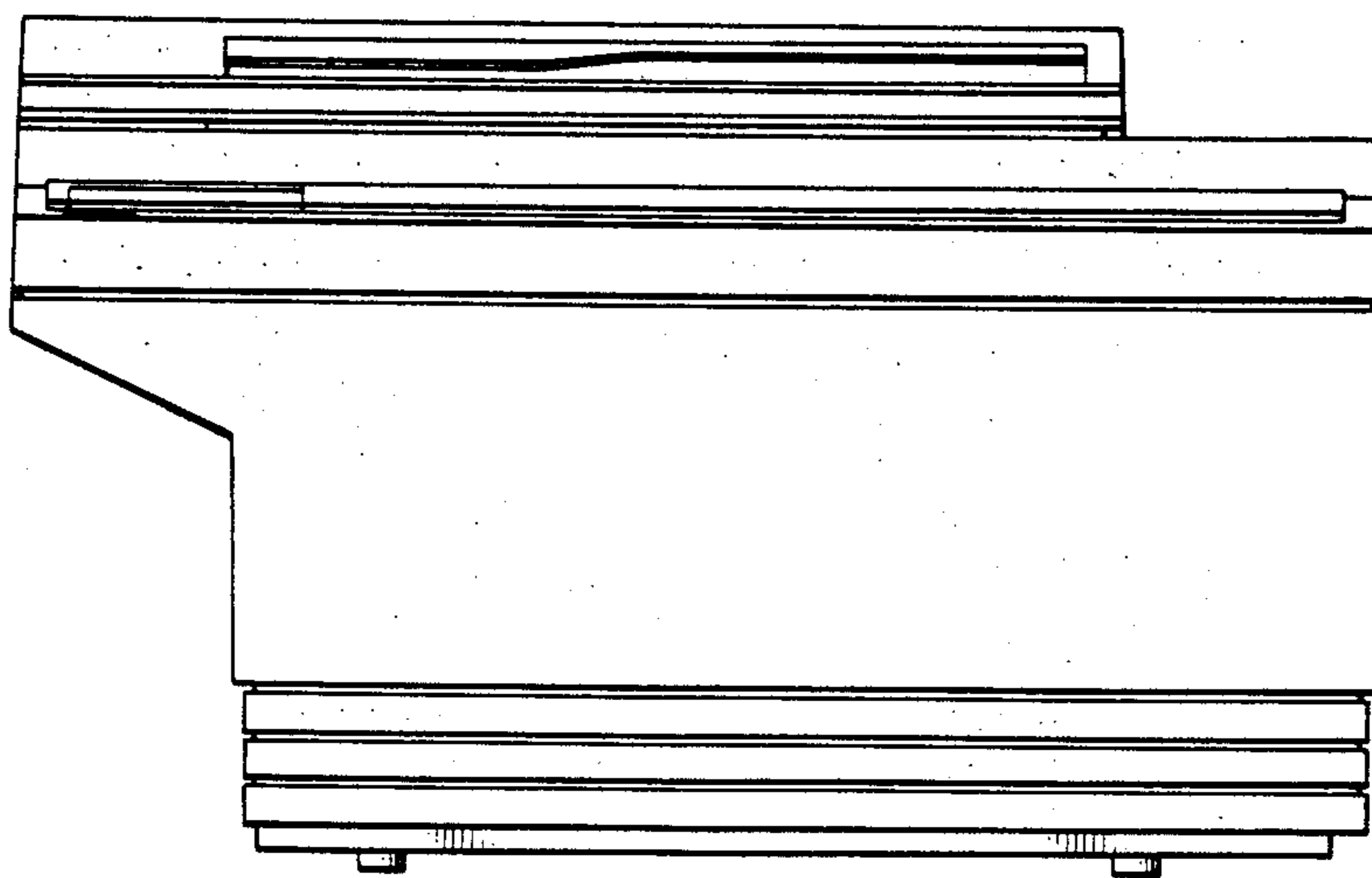


FIG. 4

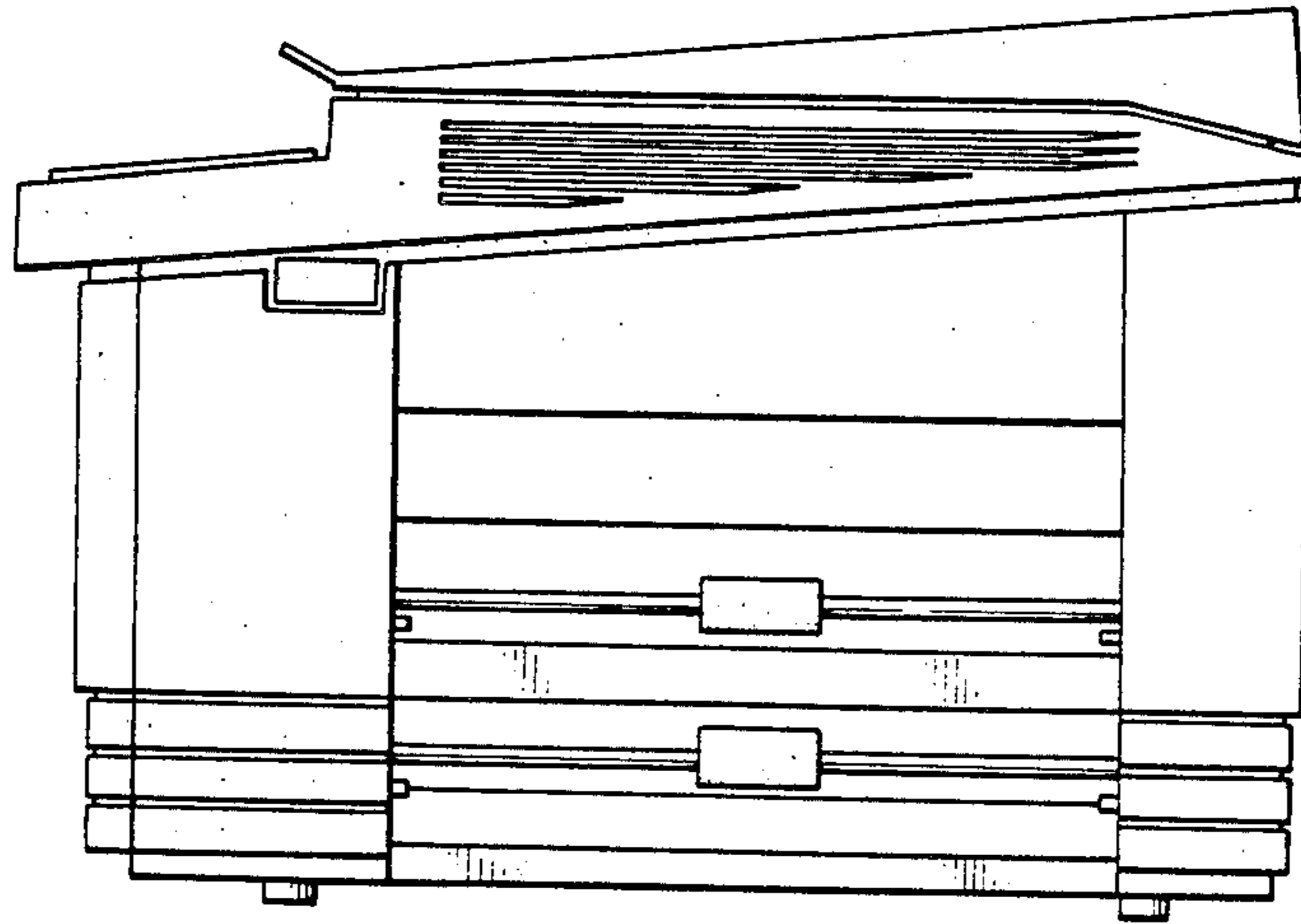


FIG. 5

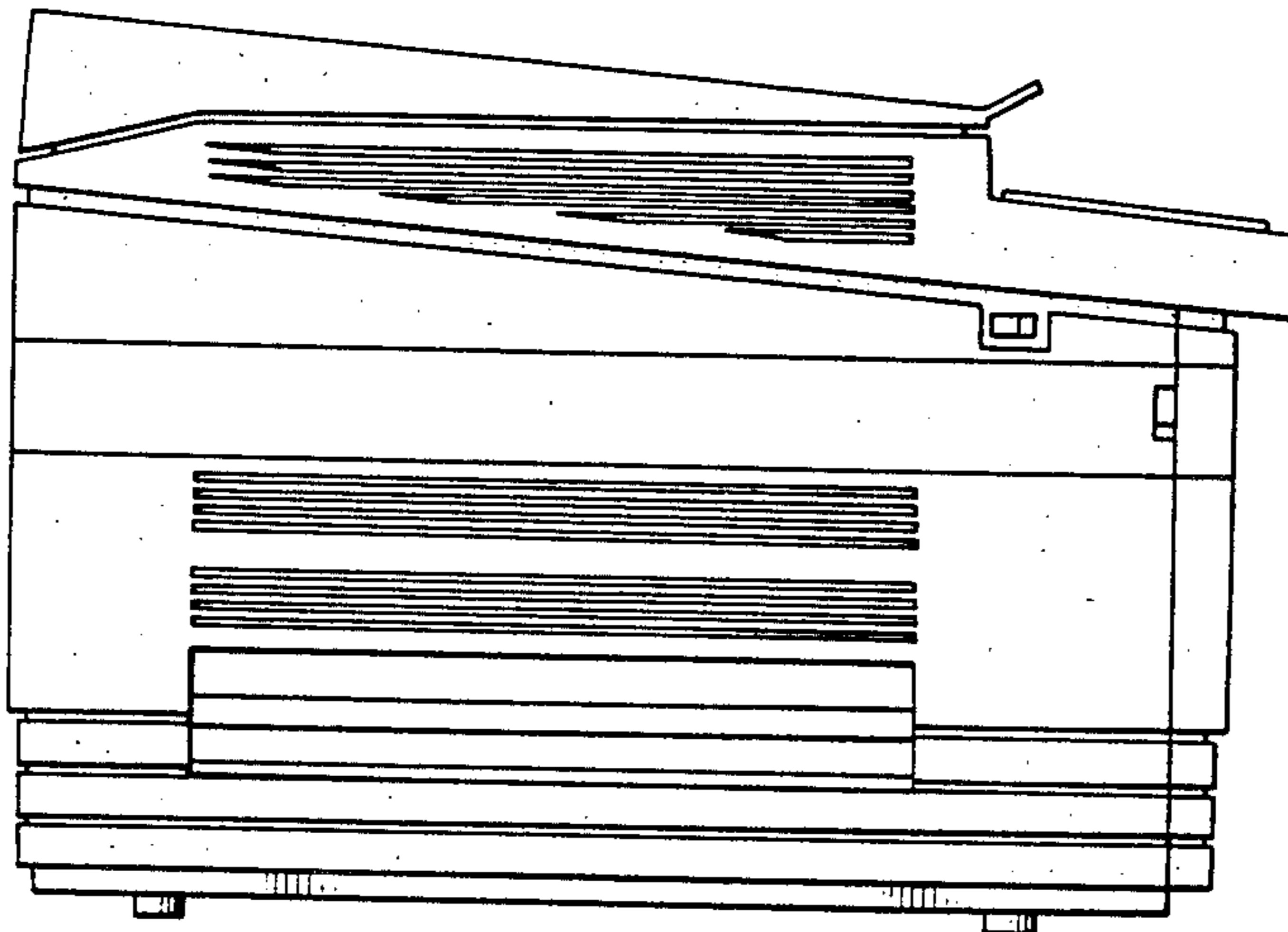


FIG. 6

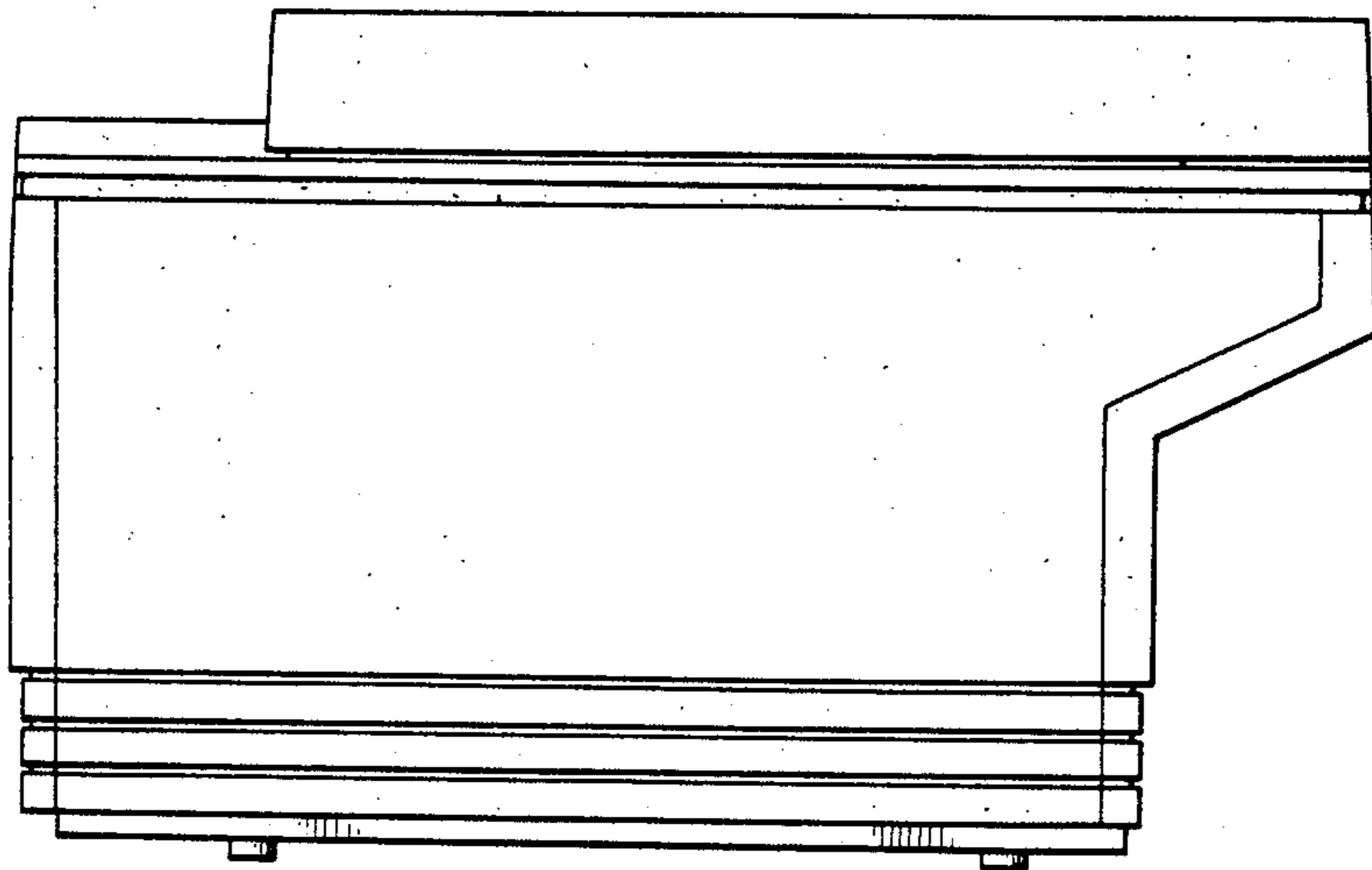


FIG. 7

