

[54] SEWING MACHINE
[75] Inventor: Masatomo Amemiya, Hachioji, Japan
[73] Assignee: Janome Sewing Machine Co. Ltd., Tokyo, Japan

D. 226,035 1/1973 Yamamoto D15/69
D. 274,435 6/1984 Hanyu et al. D15/69 X
D. 280,730 9/1985 Uchida D15/69
4,040,369 8/1977 Kaito 112/258
4,314,517 2/1982 Kasahara et al. 112/260

[**] Term: 14 Years

Primary Examiner—Melvin B. Feifer
Attorney, Agent, or Firm—Michael J. Striker

[21] Appl. No.: 720,145

[57] CLAIM

[22] Filed: Apr. 4, 1985

The ornamental design for a sewing machine, as shown and described.

[30] Foreign Application Priority Data

Dec. 17, 1984 [JP] Japan 59-51489
[52] U.S. Cl. D15/69
[58] Field of Search D15/69, 70; 112/63, 112/258-261

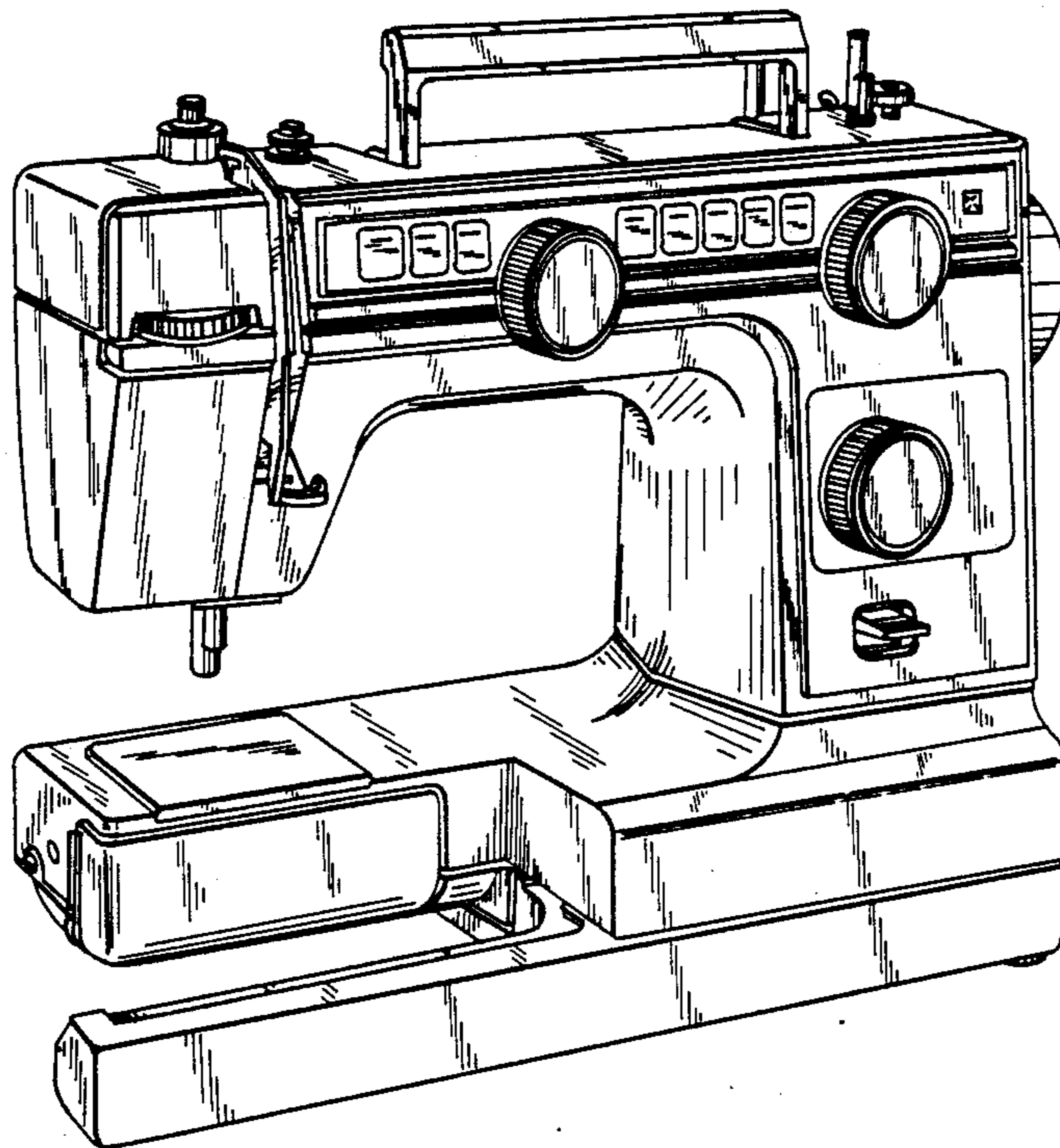
DESCRIPTION

FIG. 1 is a front elevational view of a sewing machine, showing my new design;
FIG. 2 is a rear elevational view thereof;
FIG. 3 is a left side view thereof;
FIG. 4 is a right side view thereof;
FIG. 5 is a top plan view thereof;
FIG. 6 is a bottom plan view thereof; and,
FIG. 7 is a perspective view.

[56] References Cited

U.S. PATENT DOCUMENTS

D. 211,425 6/1968 Ueda D15/69
D. 221,308 7/1971 Grange D15/69



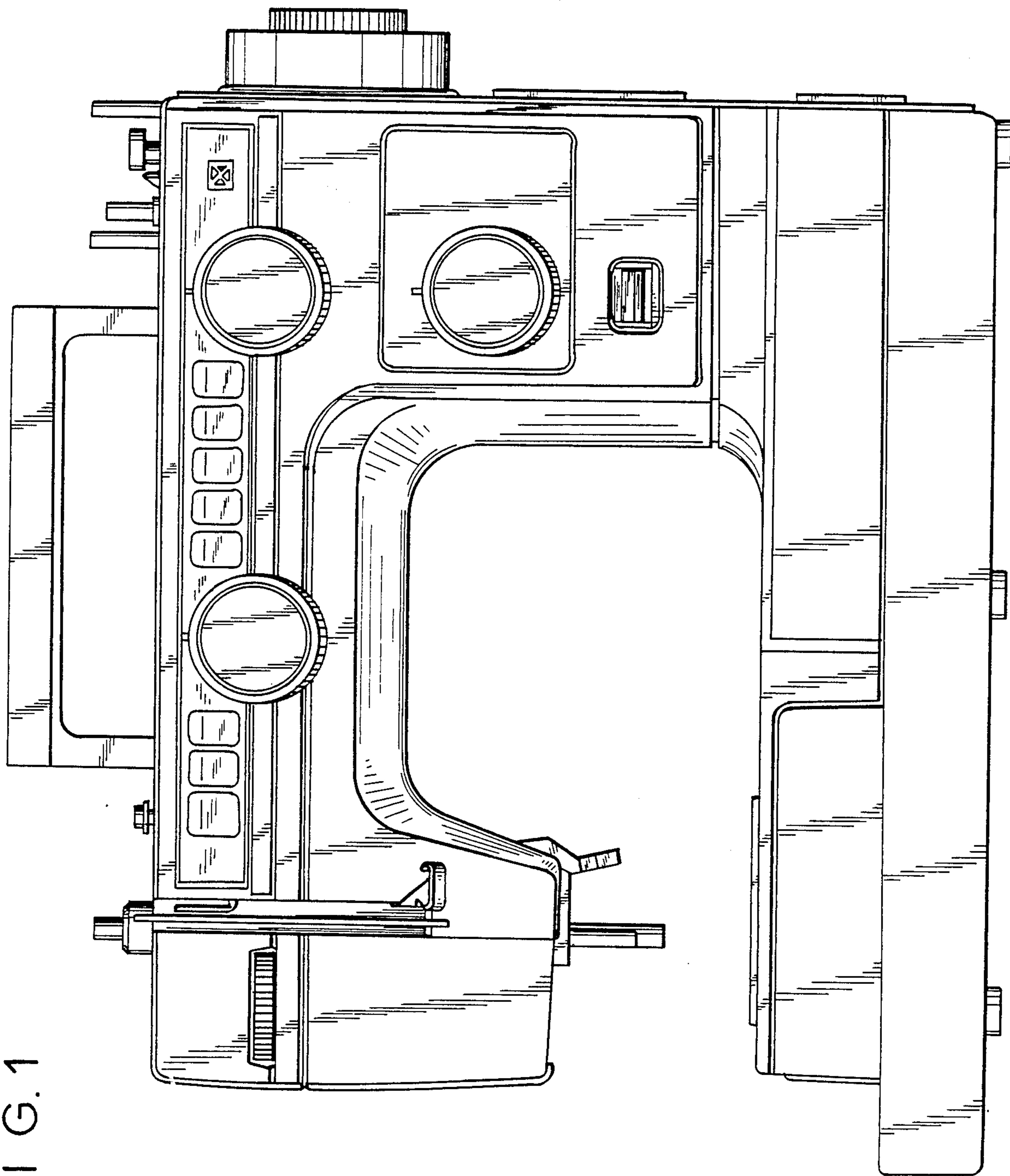


FIG. 1

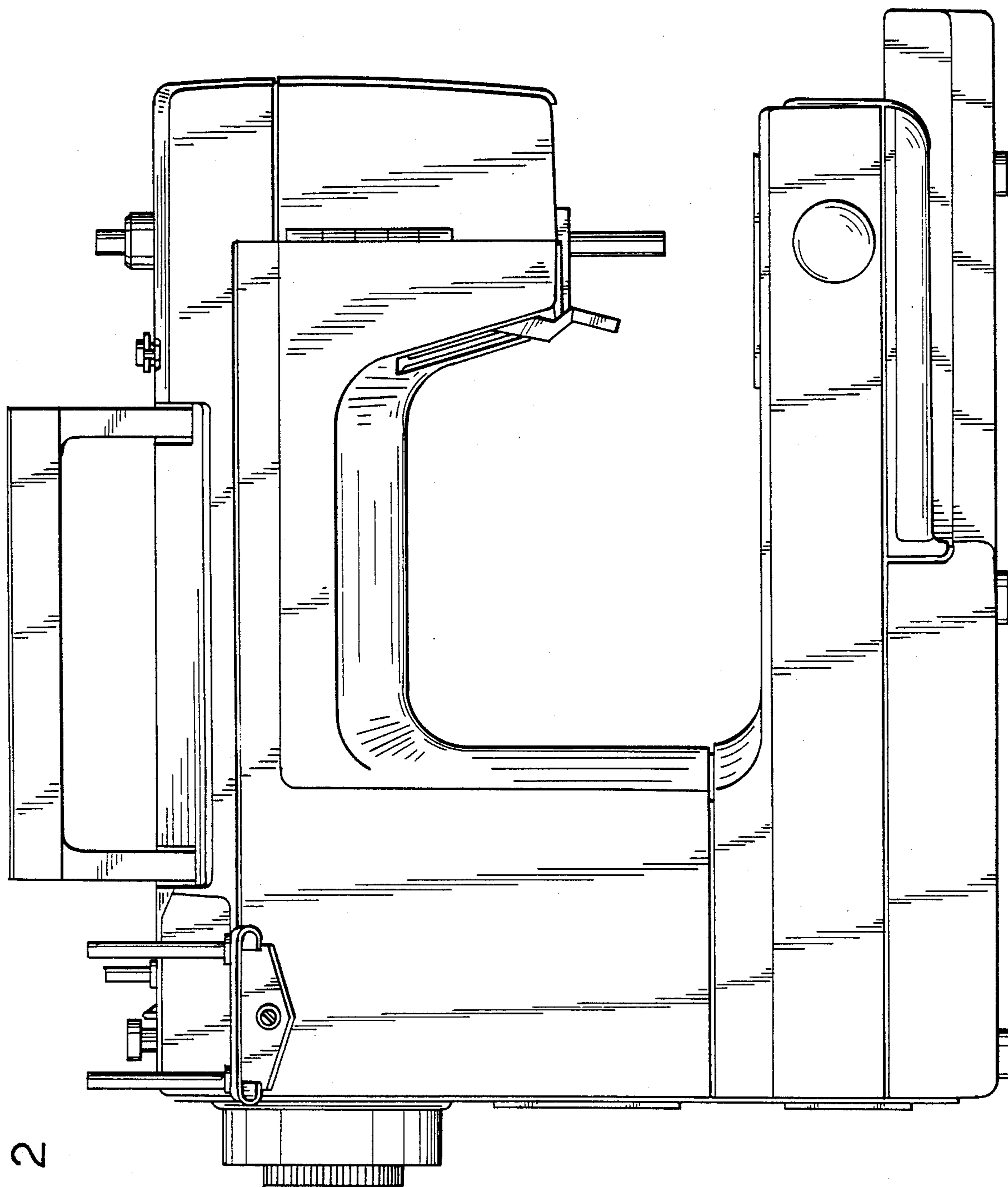


FIG. 2

FIG. 3

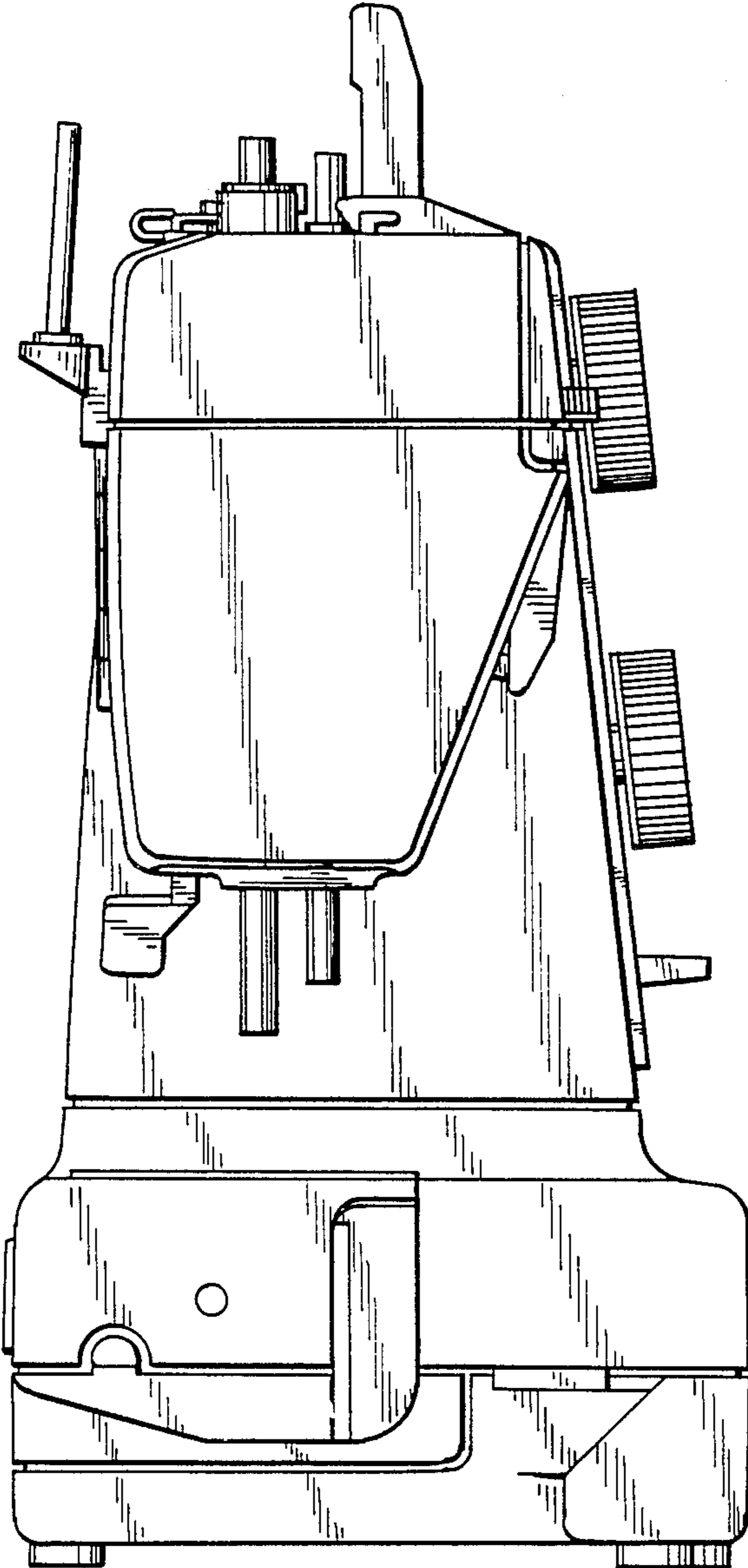


FIG. 4

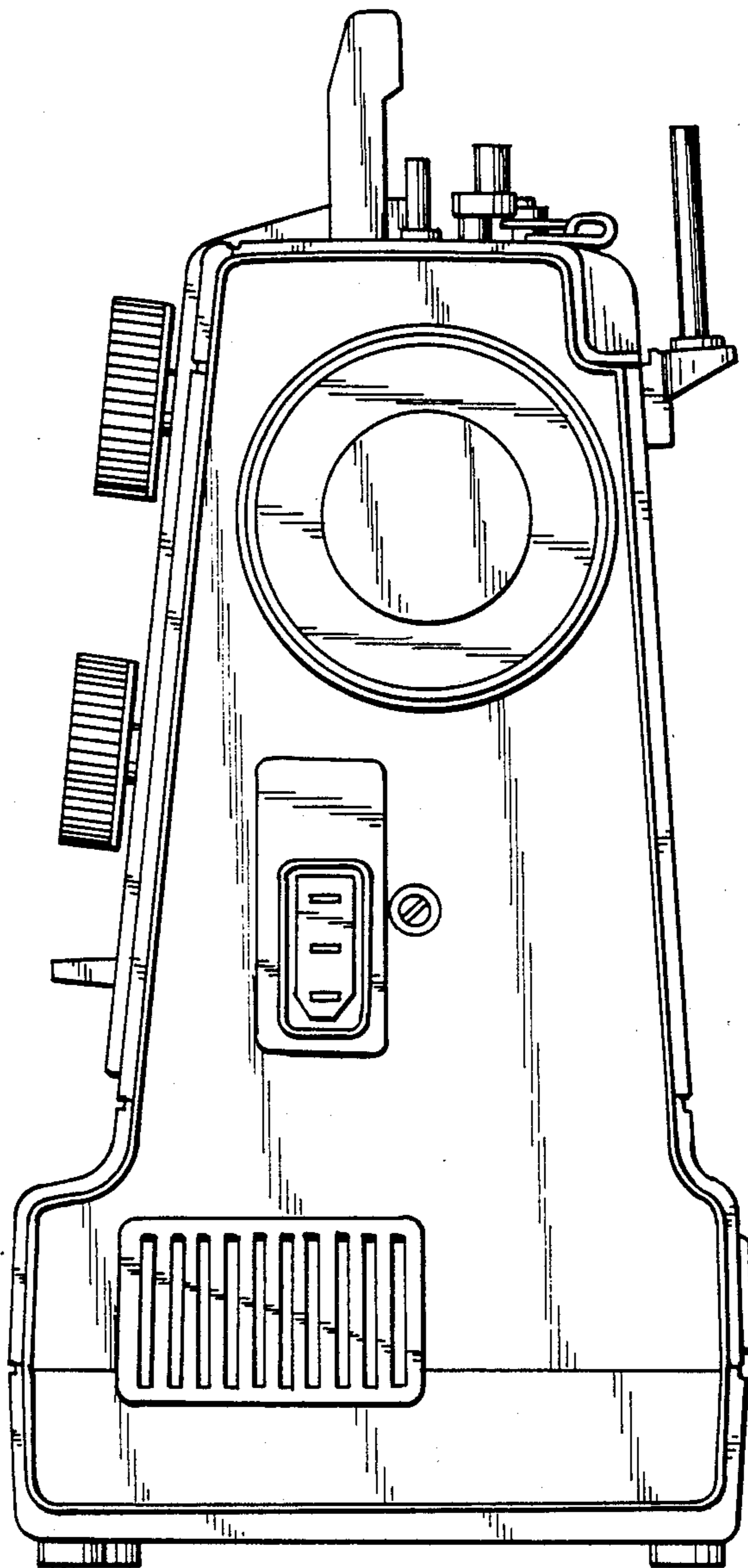


FIG. 5

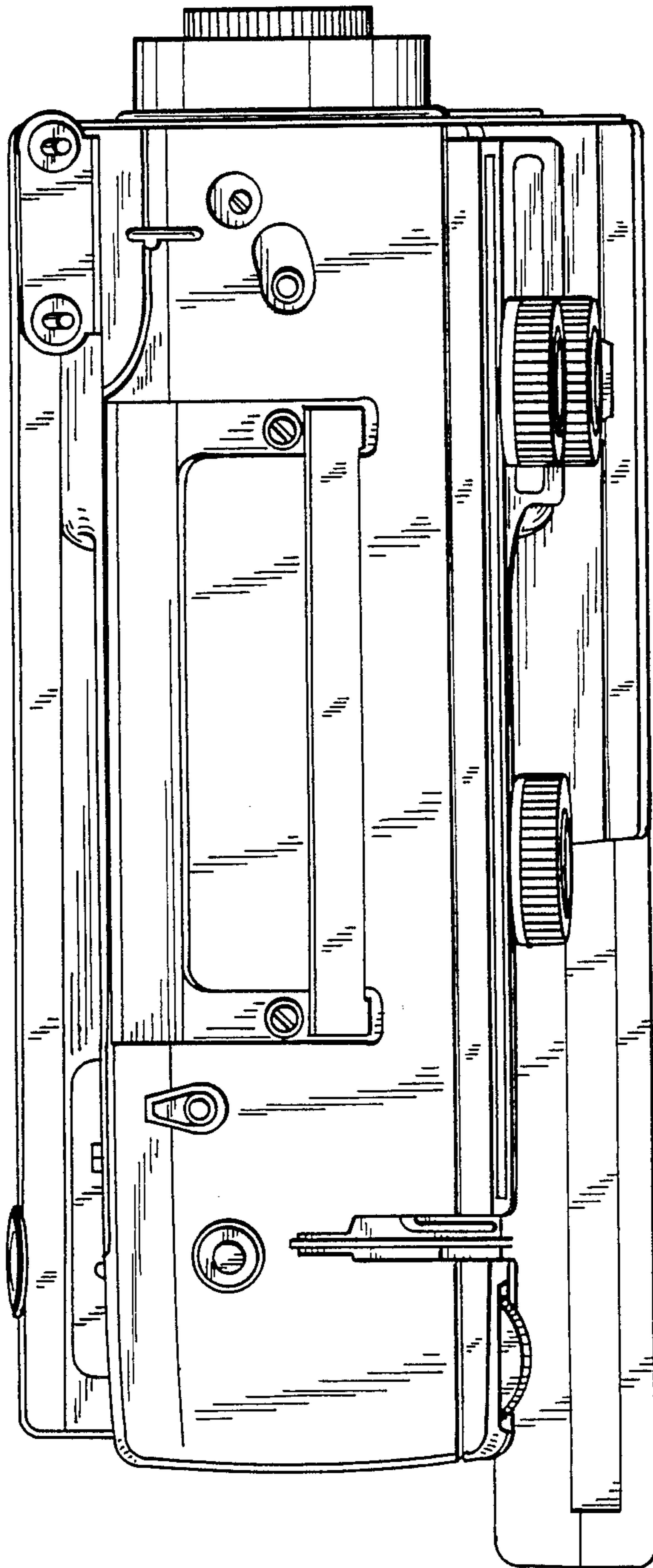
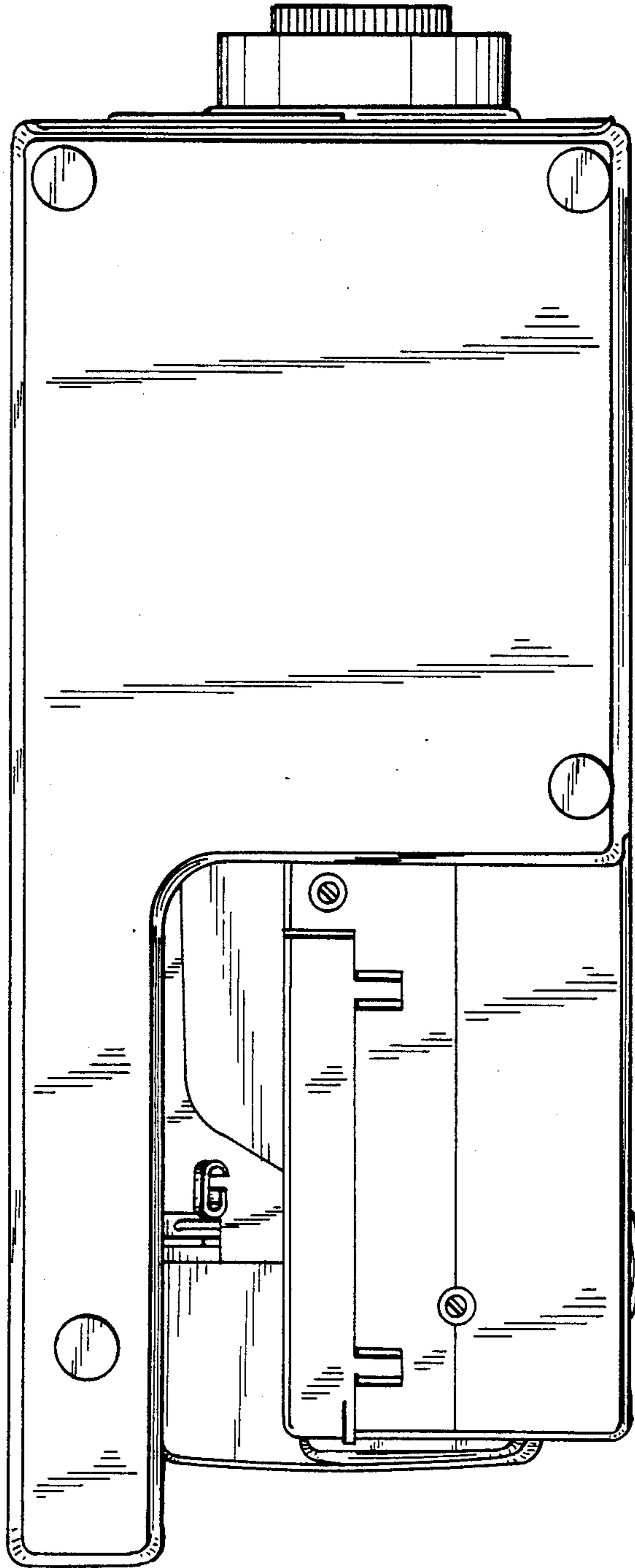


FIG. 6



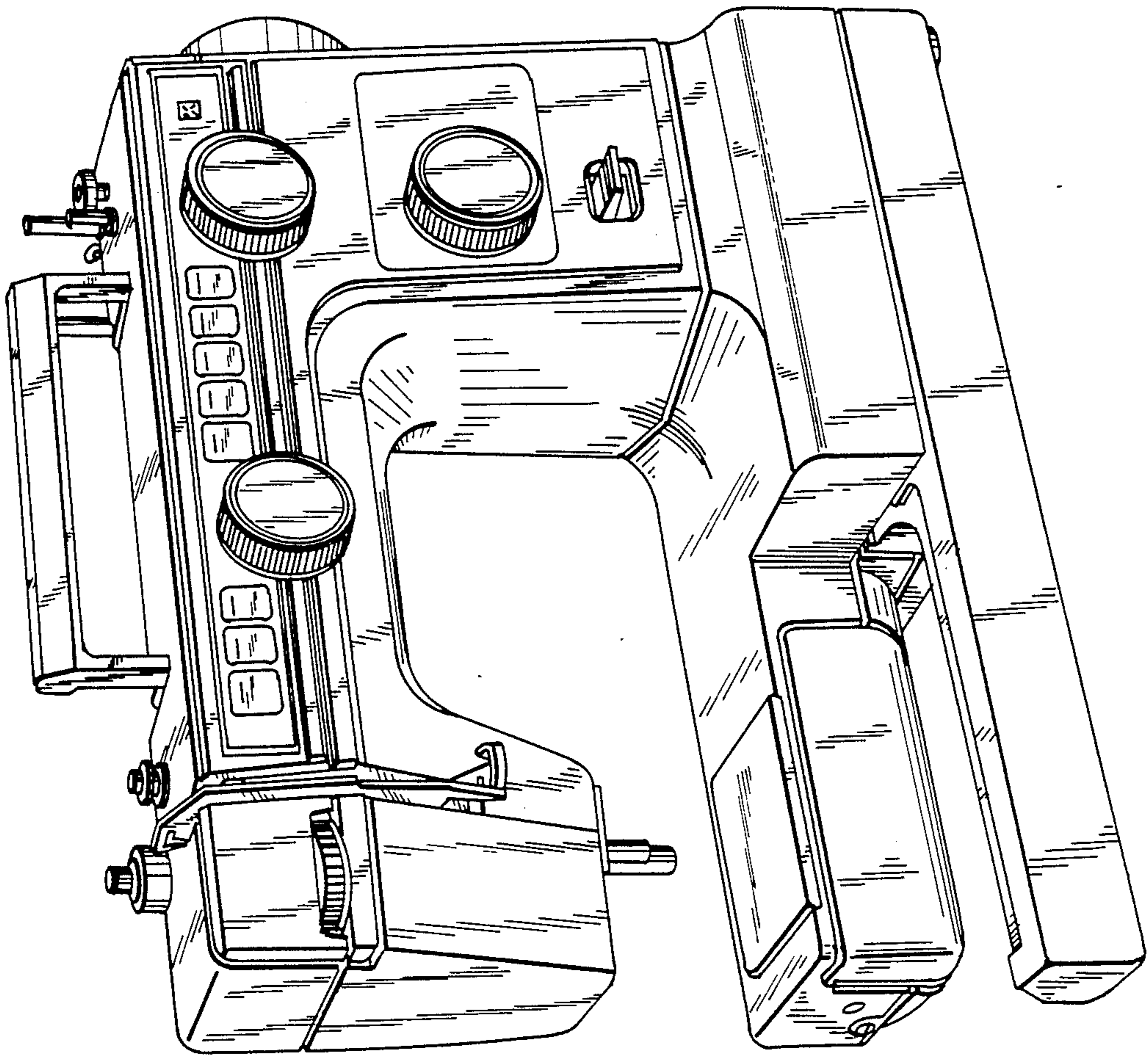


FIG. 7