

[54] PERSONAL COMPUTER KEYBOARD  
TEMPLATE FOR DISPLAYING OPERATING  
INSTRUCTIONS FOR SOFTWARE  
PROGRAM

[75] Inventor: Thorvald E. Duffin, II, Reston, Va.

[73] Assignee: Talisman Development Associates,  
Inc., Redmond, Wash.

[\*] Notice: The portion of the term of this patent  
subsequent to Sep. 22, 2001 has been  
disclaimed.

[\*\*] Term: 14 Years

[21] Appl. No.: 654,915

[22] Filed: Sep. 27, 1984

[52] U.S. Cl. .... D14/114

[58] Field of Search ..... D14/100, 106, 107, 114,  
D14/115; D18/1, 4, 7, 11, 12, 18, 22; D19/59;  
340/365 R, 365 VL, 700, 815.06; 40/2, 360;  
400/472; 434/118, 227

[56] References Cited

U.S. PATENT DOCUMENTS

- 4,075,465 2/1978 Funk et al. .... 235/145 R
- 4,274,081 6/1981 Nomura et al. .... 340/365 VL
- 4,479,317 10/1984 Hanna ..... 40/2 R
- 4,512,092 4/1985 McLaughlin et al. ... 340/365 VL X

OTHER PUBLICATIONS

BYTE, 5-1983, p. 251, Keyboard Template.  
Computer Accessories & Peripherals (CAP), 12-1983,  
p. 82, PC-Documate Keyboard Overlay.  
IBM Technical Disclosure Bulletin, vol. 24, No. 10,  
3-1982, Keyboard Templates w. Container, p. 4905.

Primary Examiner—Susan J. Lucas  
Attorney, Agent, or Firm—John L. Hummer

[57] CLAIM

The ornamental design for personal computer keyboard  
template for displaying operating instructions for soft-  
ware program, as shown and described.

DESCRIPTION

FIG. 1 is a front, top and left side perspective view of a  
personal computer keyboard template for displaying  
operating instructions for software program showing  
my new design, the keyboard being shown in broken  
lines for illustrative purposes only;  
FIG. 2 is a top plan view thereof on an enlarged scale;  
FIG. 3 is a front elevational view thereof on an enlarged  
scale;  
FIG. 4 is a bottom plan view thereof on an enlarged  
scale;  
FIG. 5 is a left side elevational view thereof on an en-  
larged scale;  
FIG. 6 is a right side elevational view thereof on an  
enlarged scale.

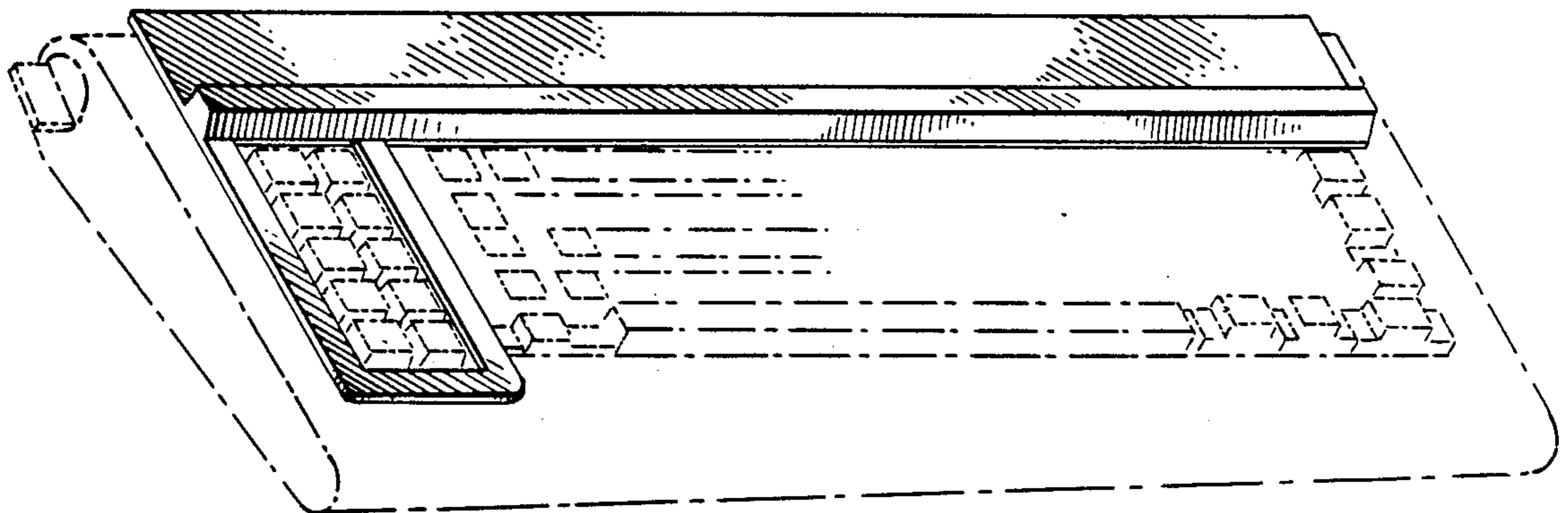


FIG. 1.

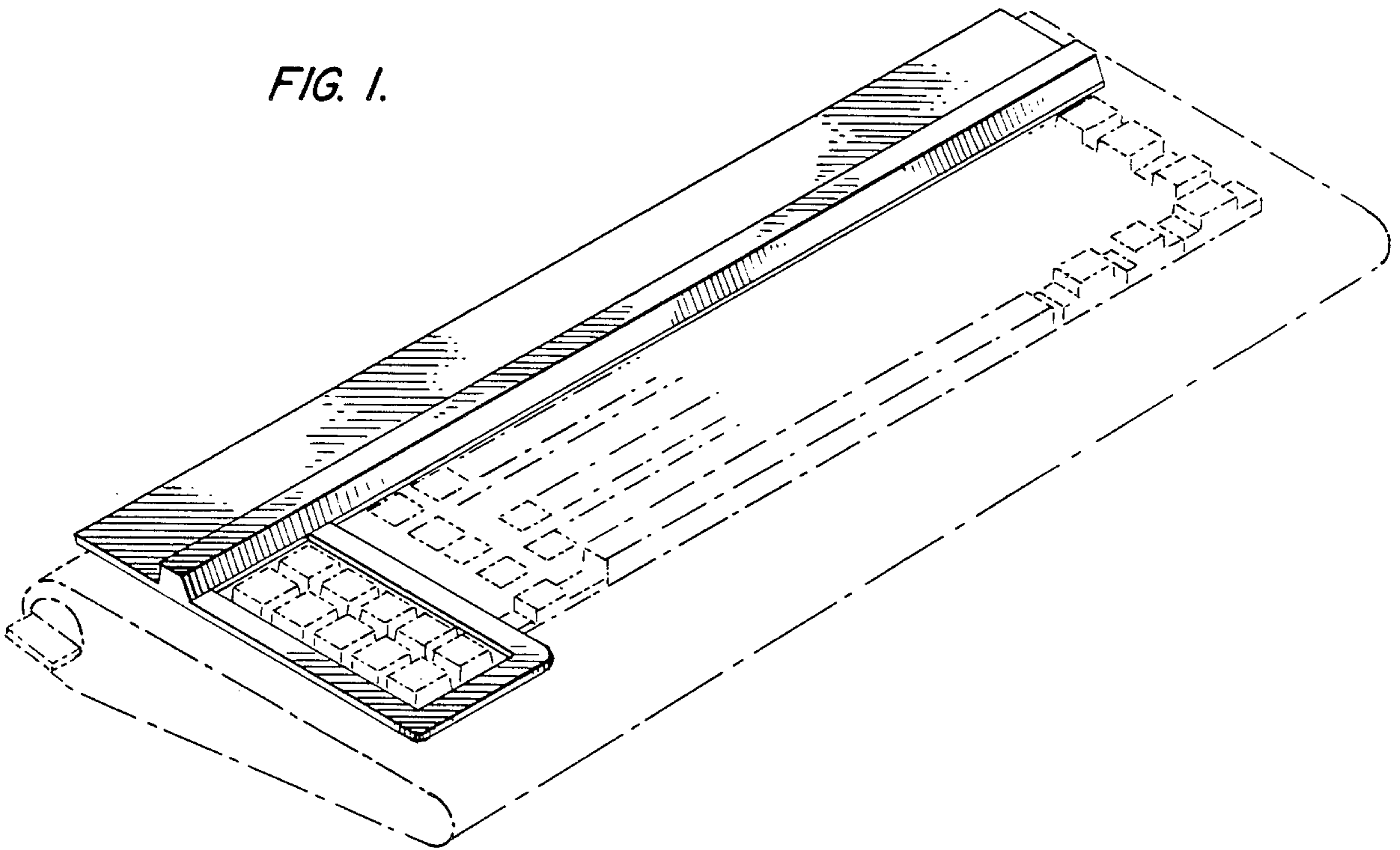


FIG. 2.

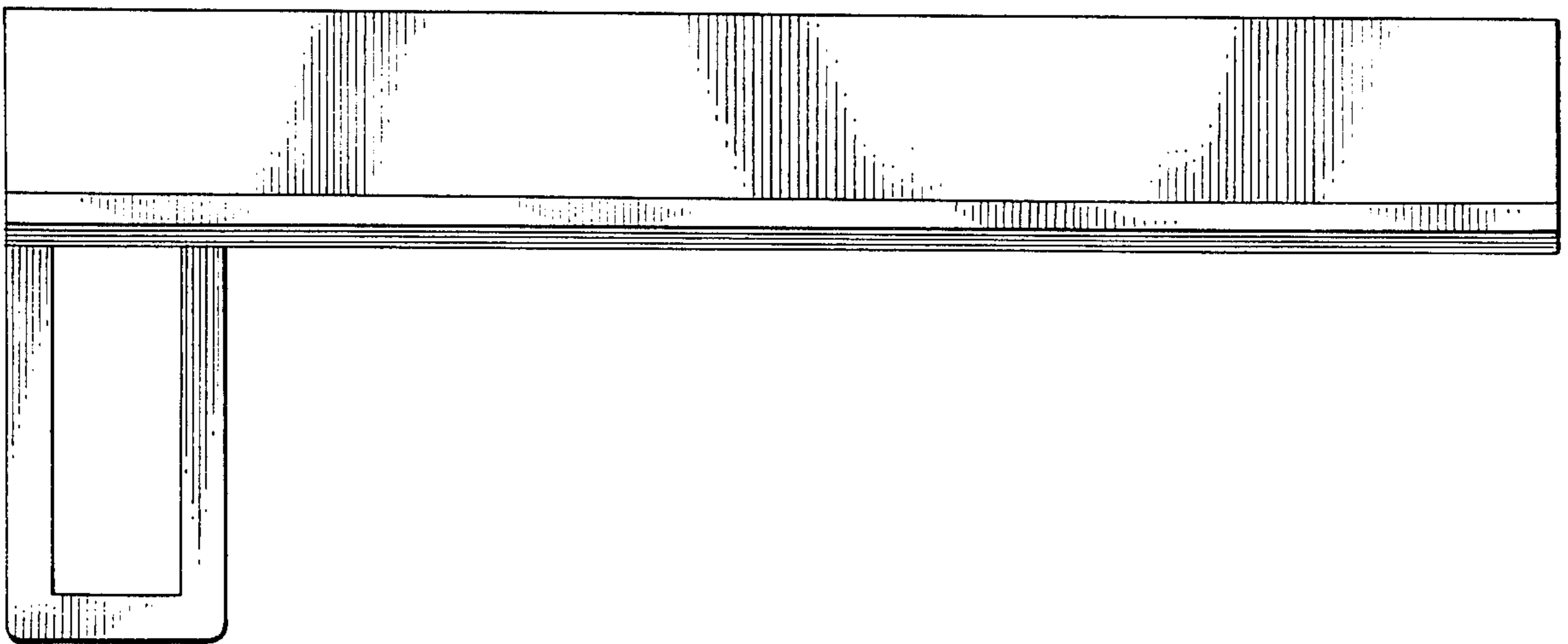


FIG. 3.



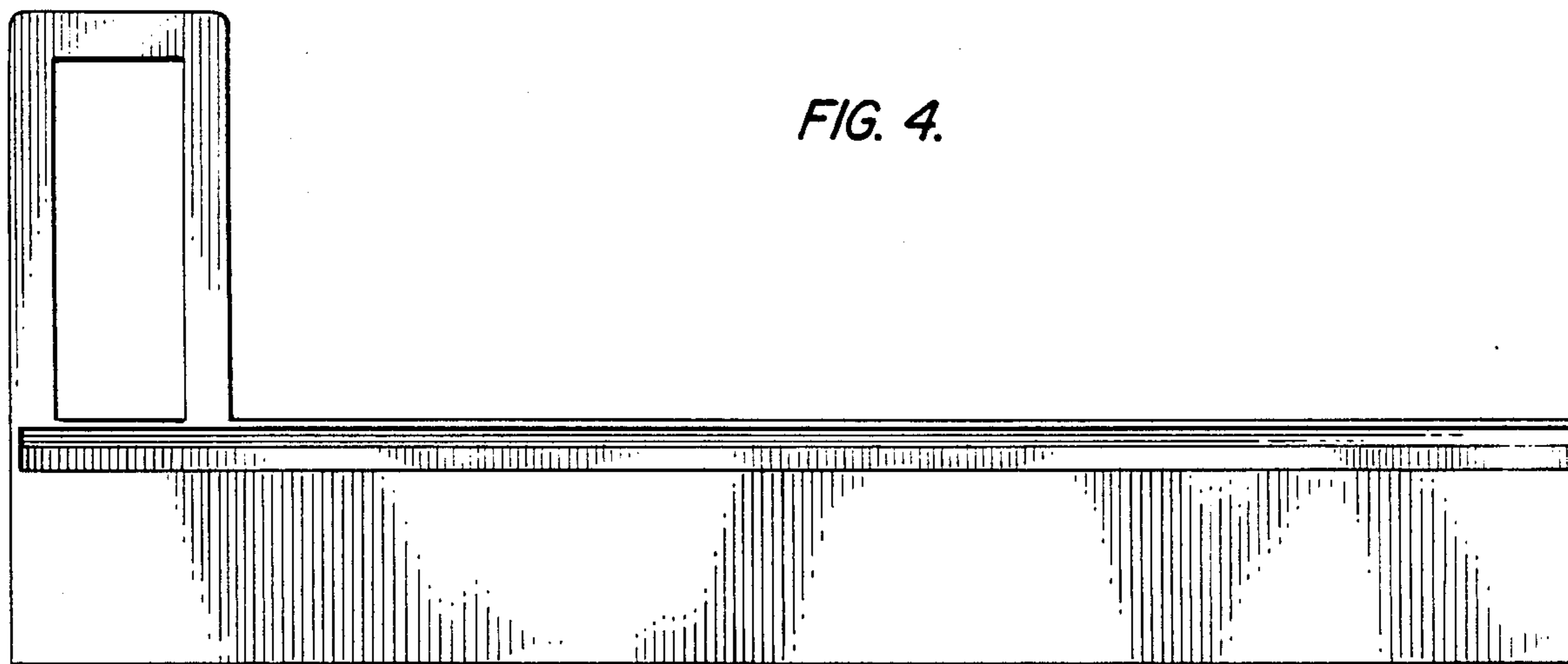


FIG. 4.

FIG. 5.



FIG. 6.

