

[54] **DISPLAY MONITOR**

[75] **Inventor: Roger C. Williams, Raleigh, N.C.**

[73] **Assignee: International Business Machines Corp., Armonk, N.Y.**

[**] **Term: 14 Years**

[21] **Appl. No.: 777,468**

[22] **Filed: Sep. 18, 1985**

[52] **U.S. Cl. D14/113**

[58] **Field of Search D14/100, 105, 106, 107,
D14/113, 77, 80-84; 340/700, 711, 720;
358/248, 249, 254; 312/7.2**

[56] **References Cited**

U.S. PATENT DOCUMENTS

- D. 284,967 8/1986 Wiseman D14/113
- D. 286,406 10/1986 Gahan D14/113
- 4,577,187 3/1986 Barr et al. 340/700

Primary Examiner—Susan J. Lucas
Attorney, Agent, or Firm—Joscelyn G. Cockburn

[57] **CLAIM**

The ornamental design for a display monitor, substantially as shown and described.

DESCRIPTION

FIG. 1 is a top, front perspective view of a display monitor showing my new design;
FIG. 2 is a front elevational view thereof on an enlarged scale;
FIG. 3 is a rear elevational view thereof on an enlarged scale;
FIG. 4 is a right side elevational view thereof on an enlarged scale;
FIG. 5 is a left side elevational view thereof on an enlarged scale;
FIG. 6 is a top plan view thereof on an enlarged scale;
FIG. 7 is a bottom plan view thereof on an enlarged scale.

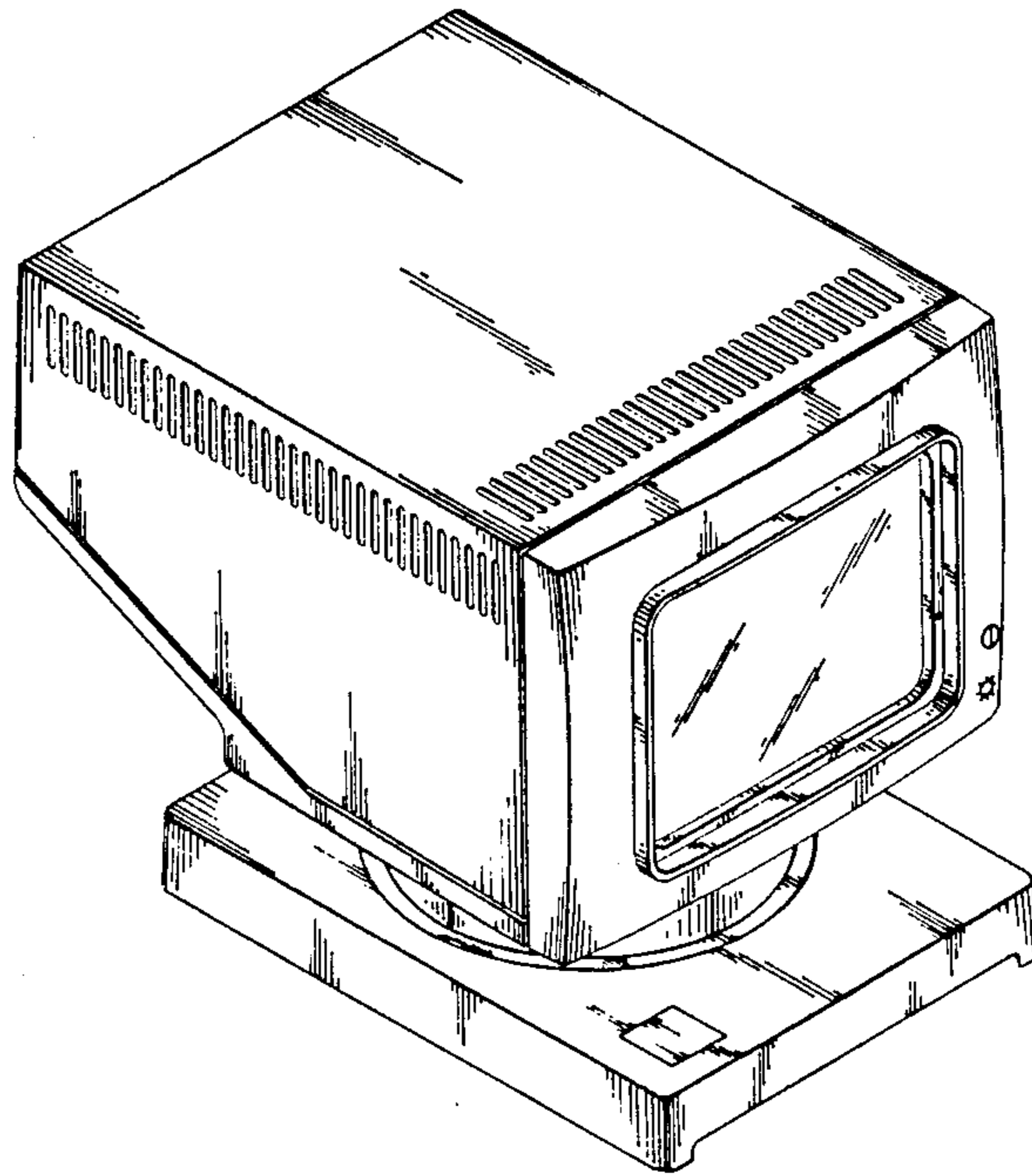


FIG. 1

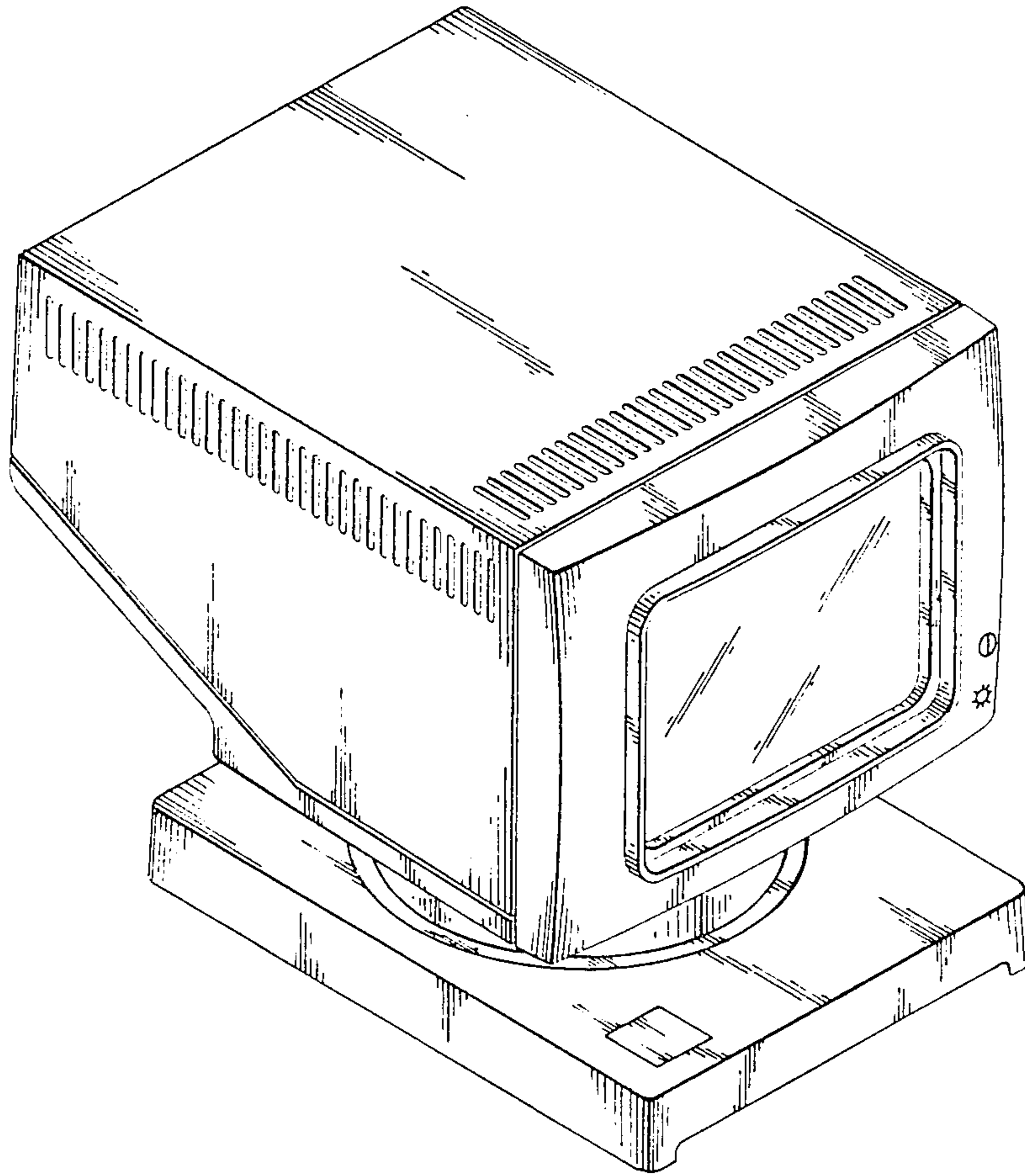


FIG. 2

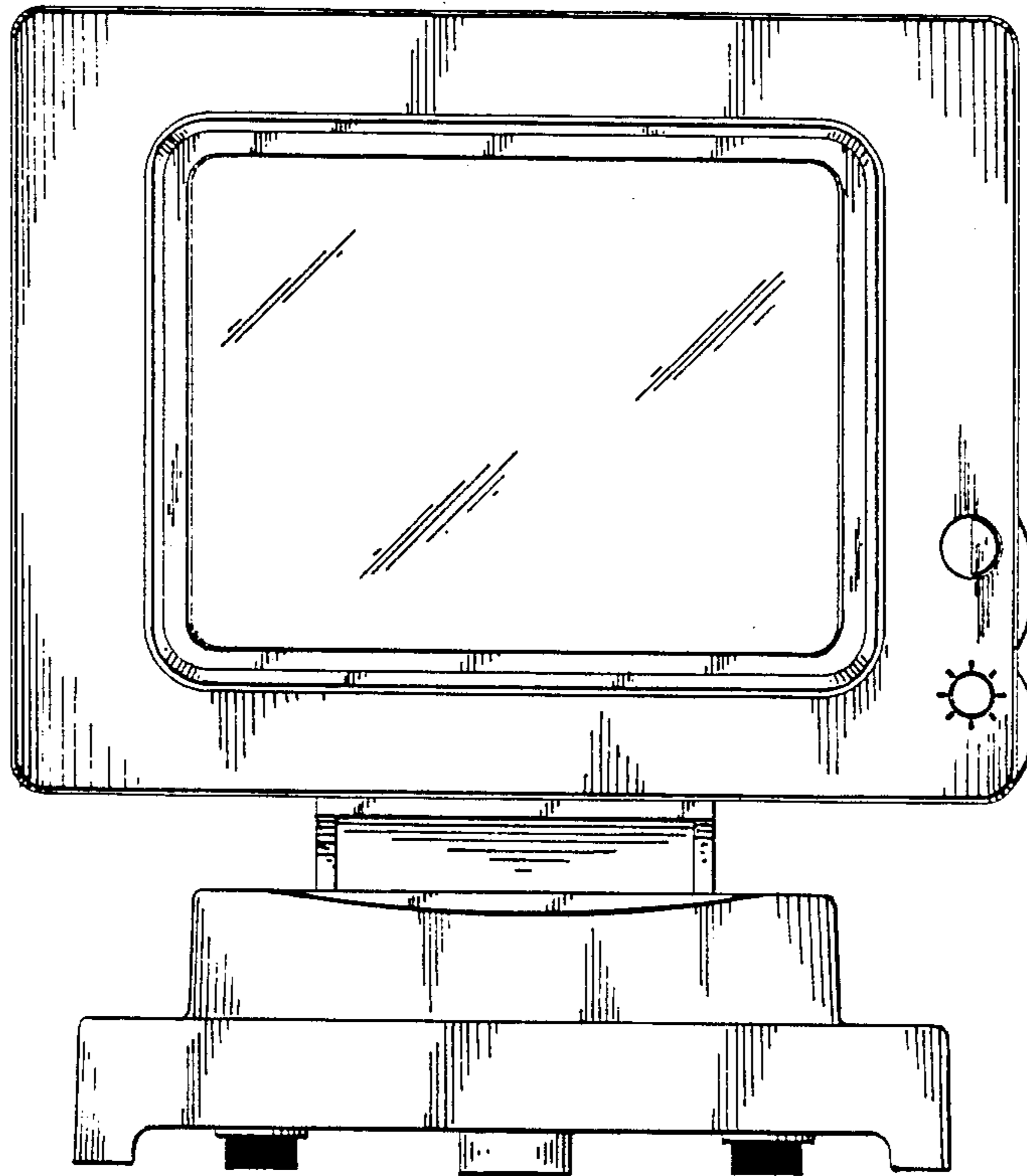


FIG. 3

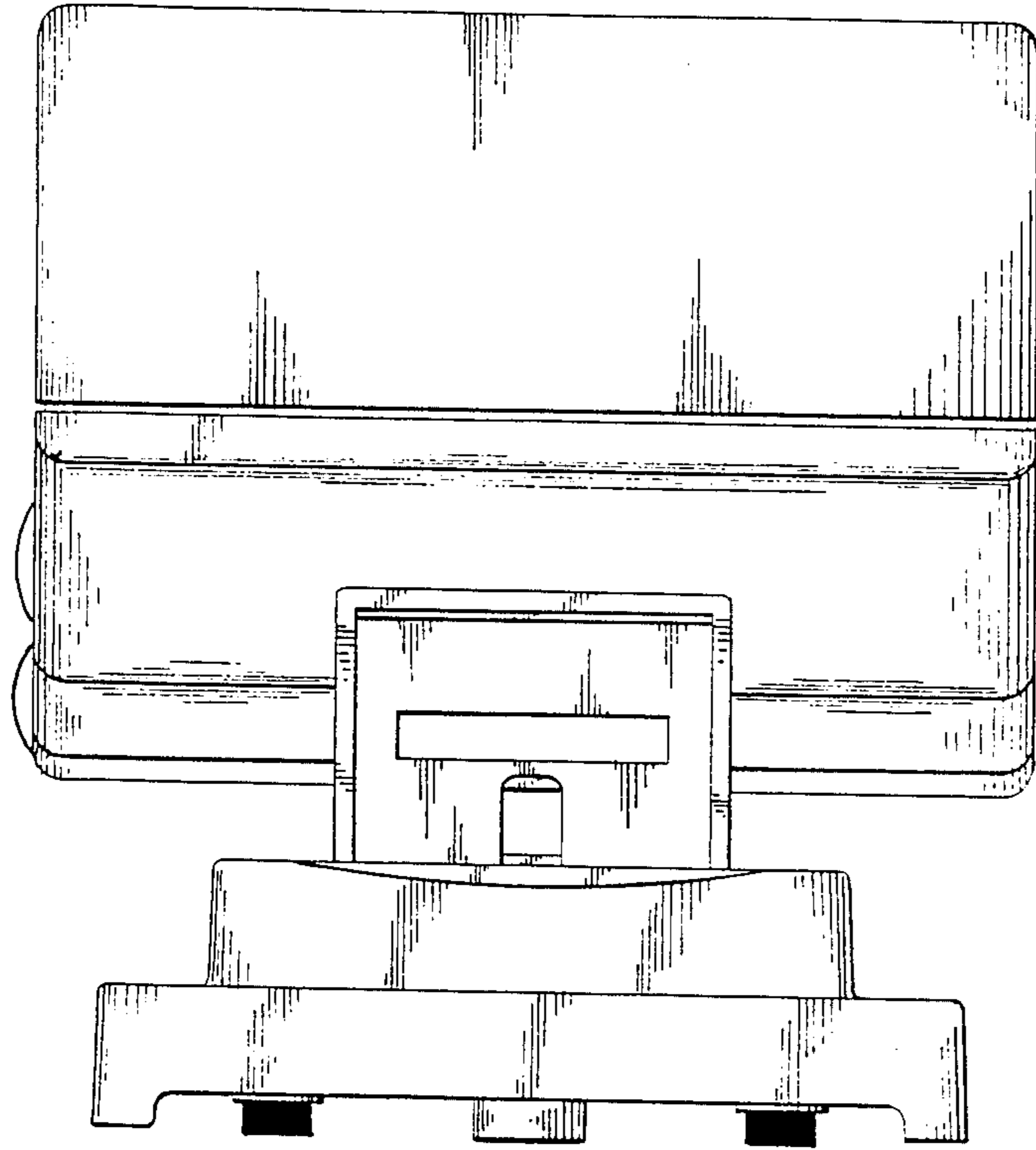
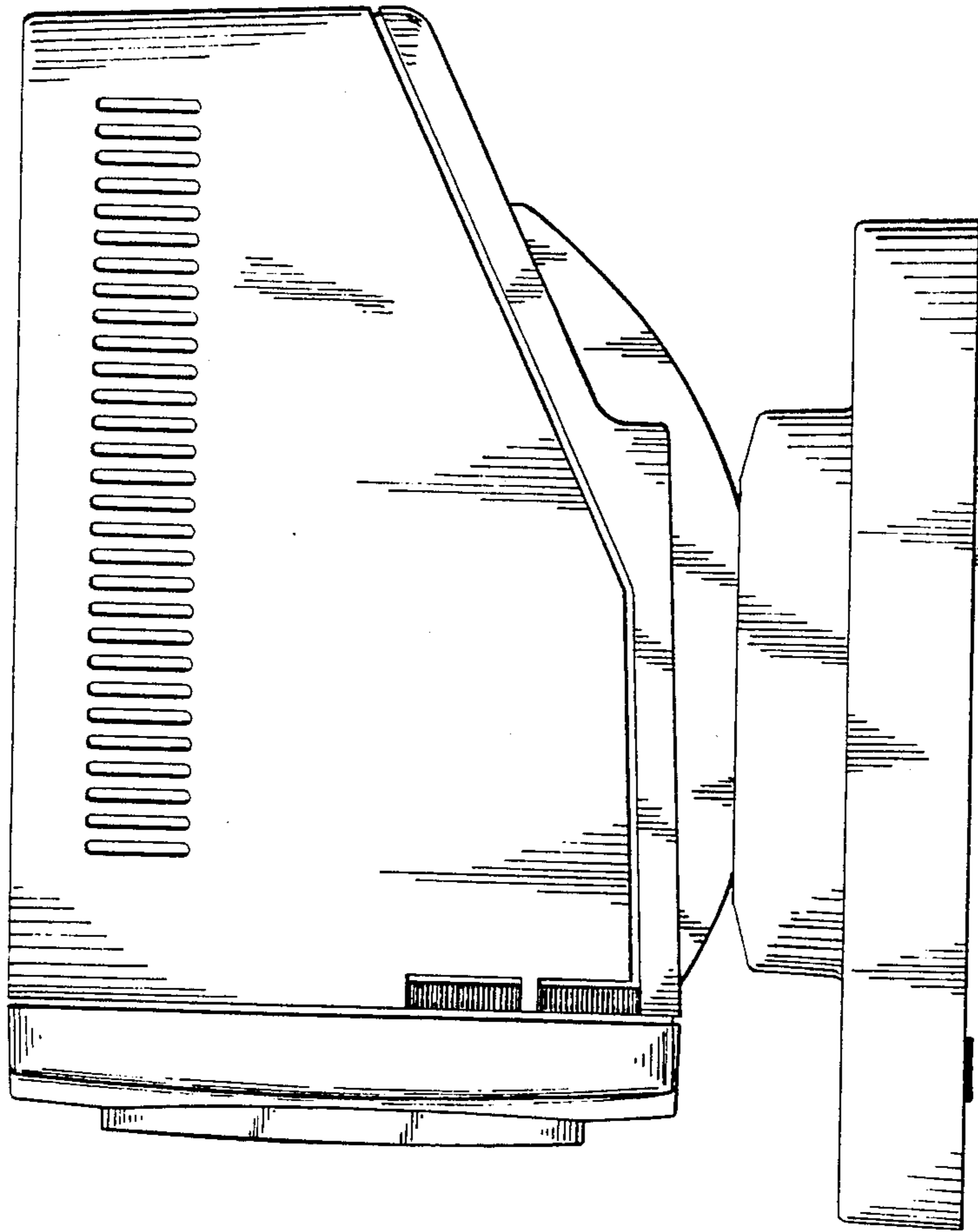


FIG. 4



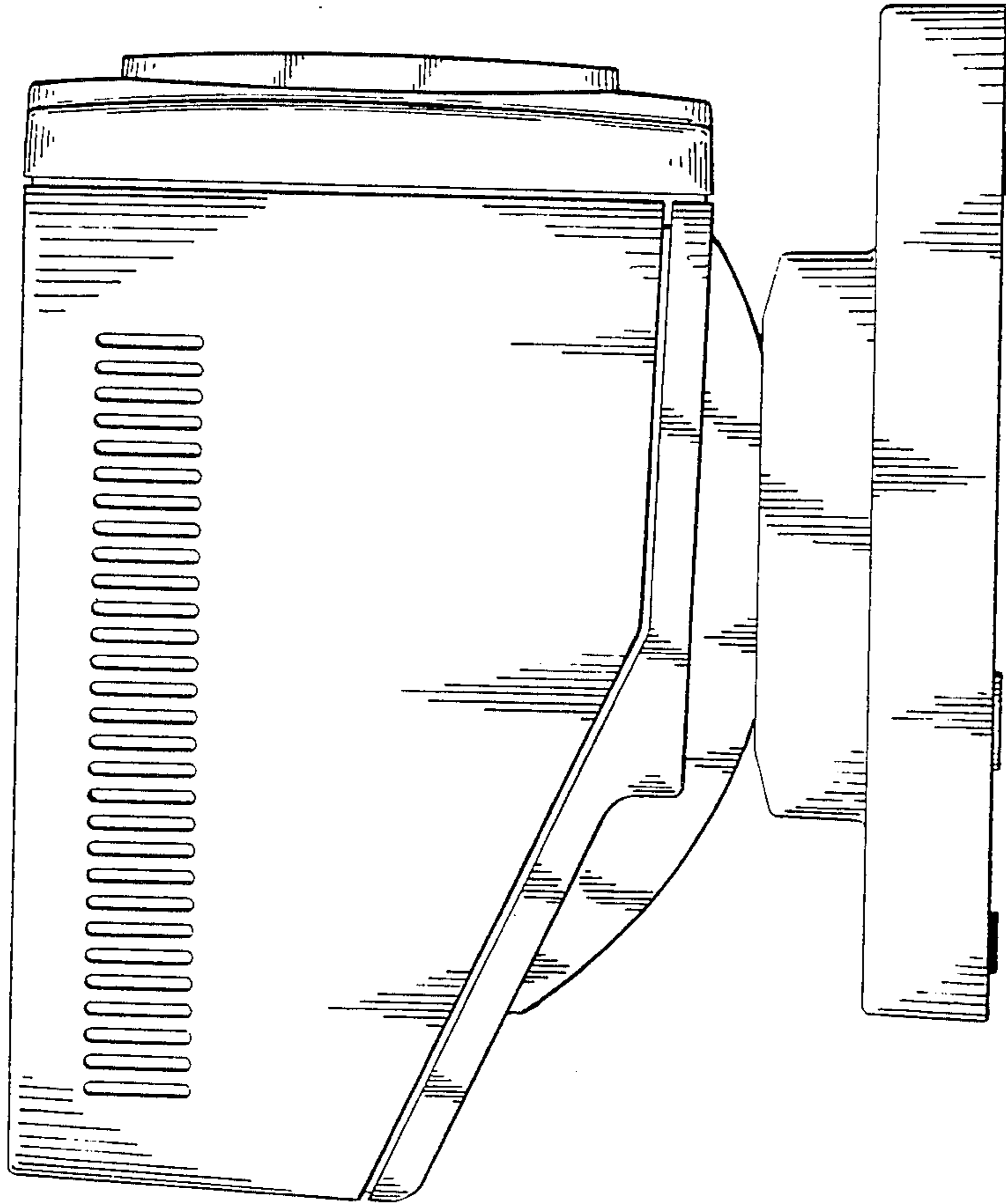


FIG. 5

FIG. 6

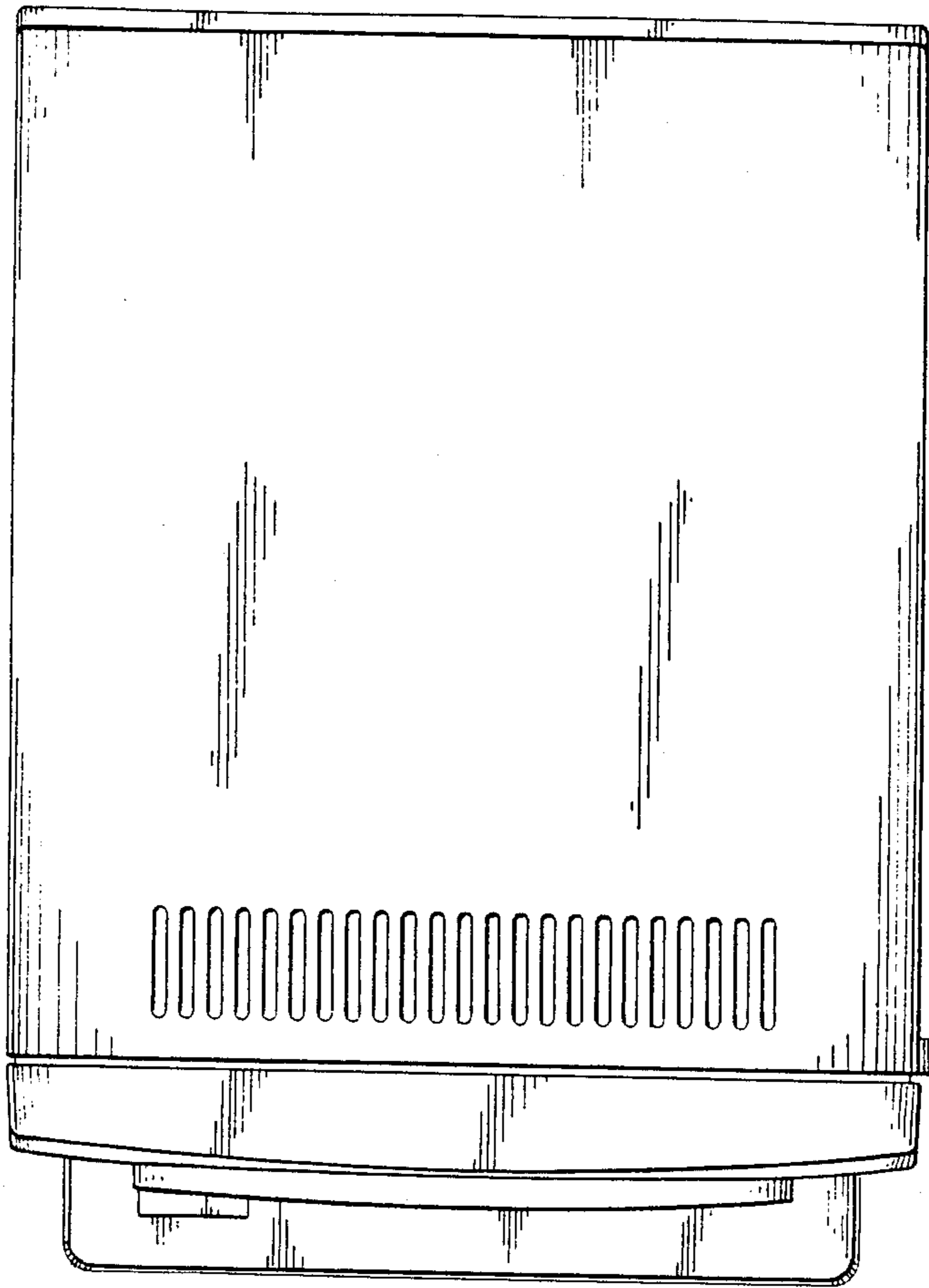


FIG. 7

