

[54] PRINTER

[75] Inventor: Nobufusa Kuroki, Machida, Japan

[73] Assignee: Janome Sewing Machine Co. Ltd., Tokyo, Japan

[\*\*] Term: 14 Years

[21] Appl. No.: 762,777

[22] Filed: Aug. 5, 1985

[52] U.S. Cl. .... D14/111; D18/13

[58] Field of Search ..... D14/100, 107, 111, 114; D18/13, 22; 400/689-694

[56] References Cited

U.S. PATENT DOCUMENTS

- D. 281,247 11/1985 Lahey et al. .... D14/111
- D. 284,013 5/1986 Kuroki ..... D18/13

OTHER PUBLICATIONS

Meridian Ltd., "The Dedicated Line", TM catalog, 1983, p. 2, Diablo Printer.

Primary Examiner—Susan J. Lucas  
Attorney, Agent, or Firm—Michael J. Striker

[57] CLAIM

The ornamental design for a printer, substantially as shown and described.

DESCRIPTION

FIG. 1 is a front elevational view of a printer showing my new design;  
 FIG. 2 is a rear elevational view thereof;  
 FIG. 3 is a left side elevational view thereof;  
 FIG. 4 is a right side elevational view thereof;  
 FIG. 5 is a top plan view thereof;  
 FIG. 6 is a bottom plan view thereof;  
 FIG. 7 is a front perspective view thereof;  
 FIG. 8 is a cross-sectional view thereof as taken along line 8—8 of FIG. 1.

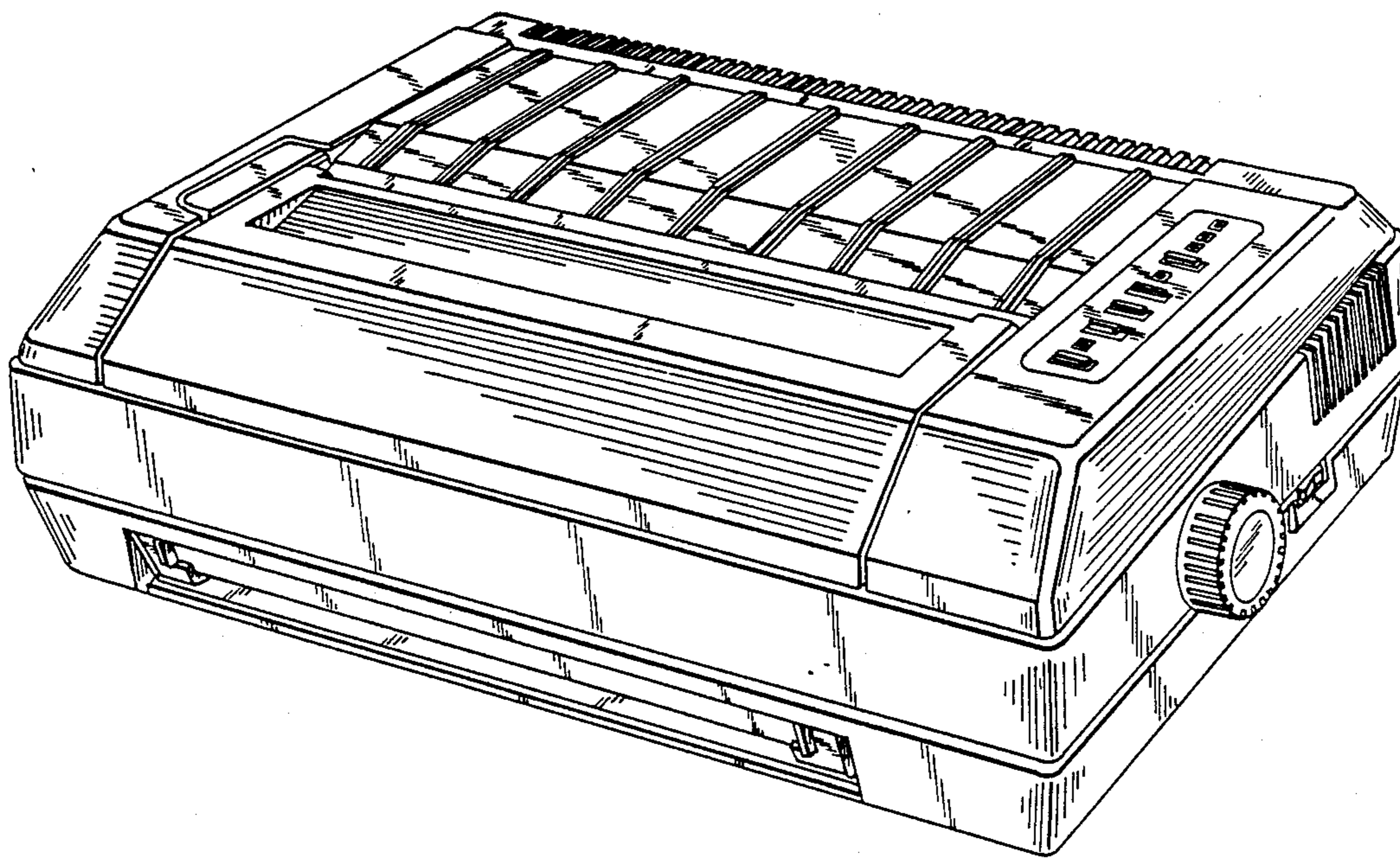
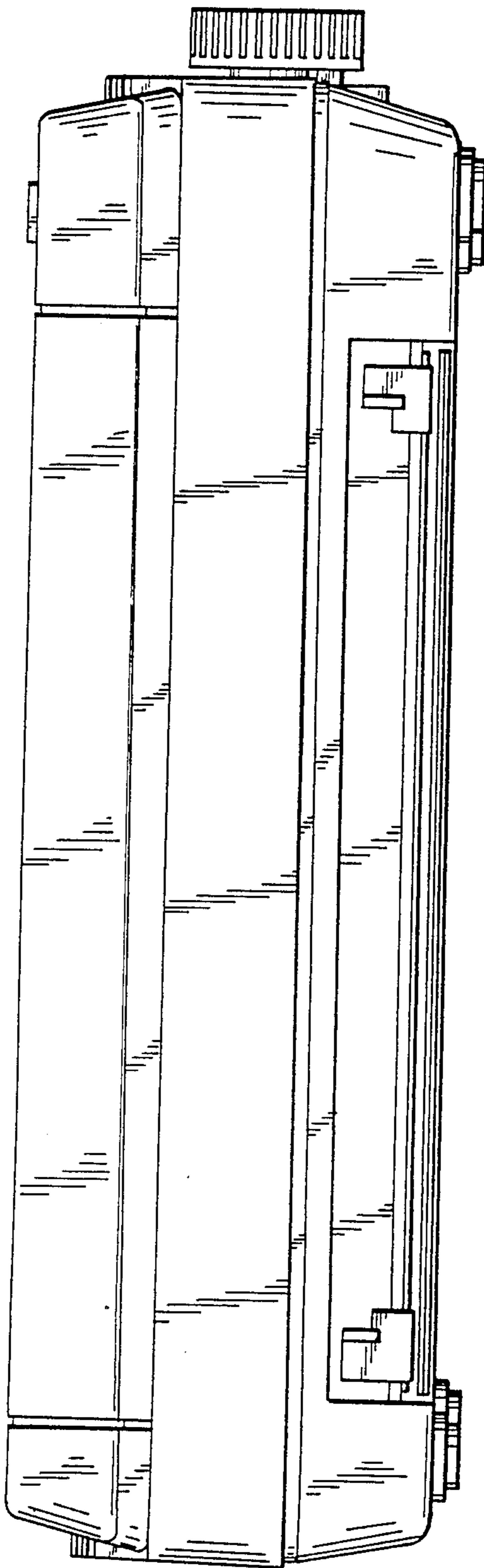


FIG. 1

8



8

FIG. 2

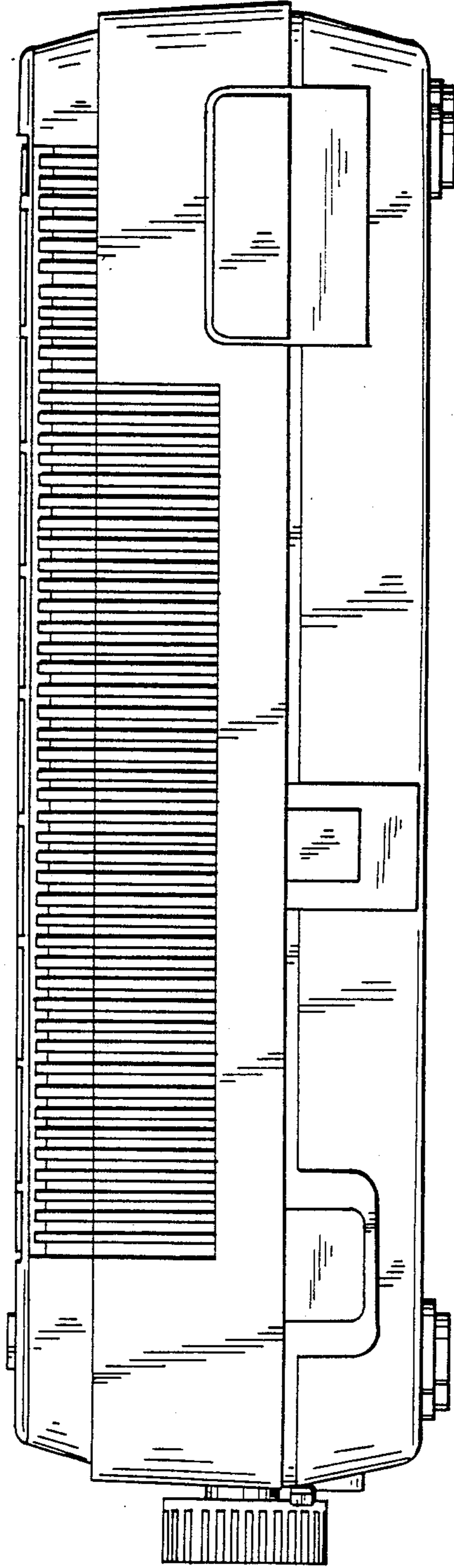


FIG 3

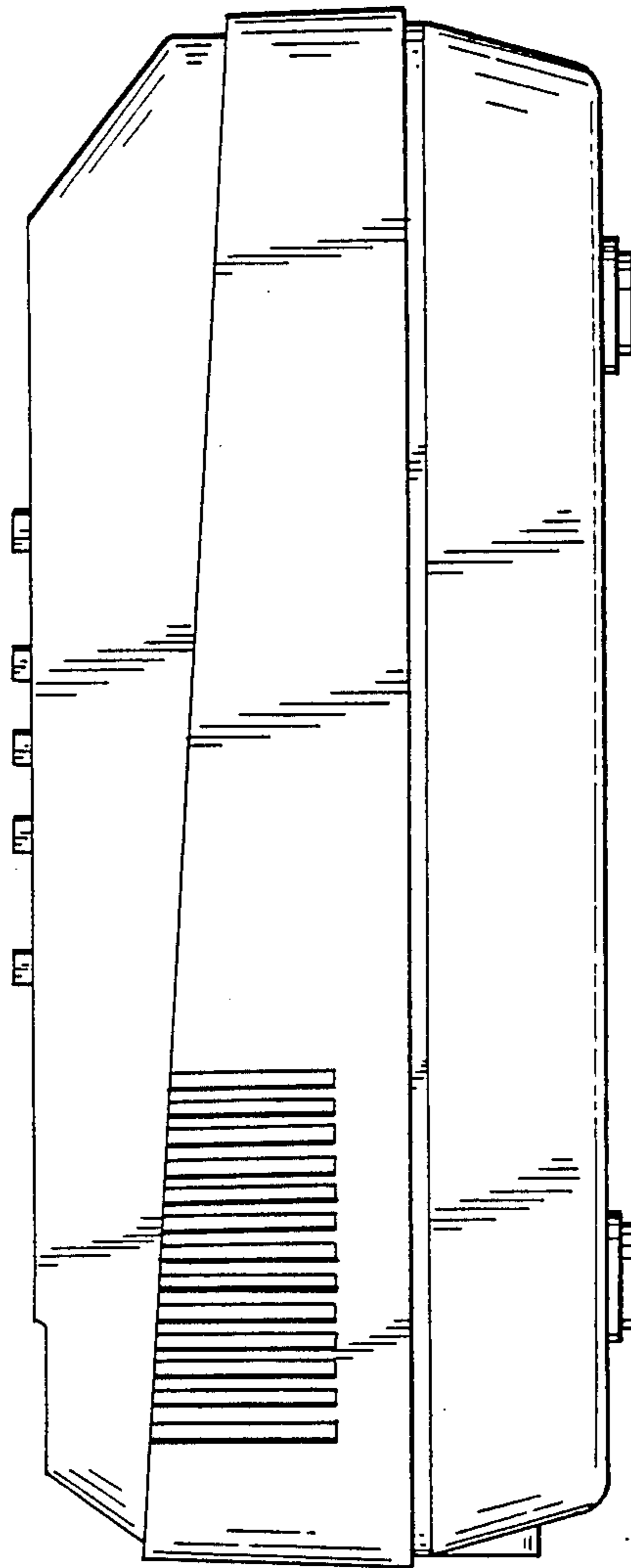


FIG. 4

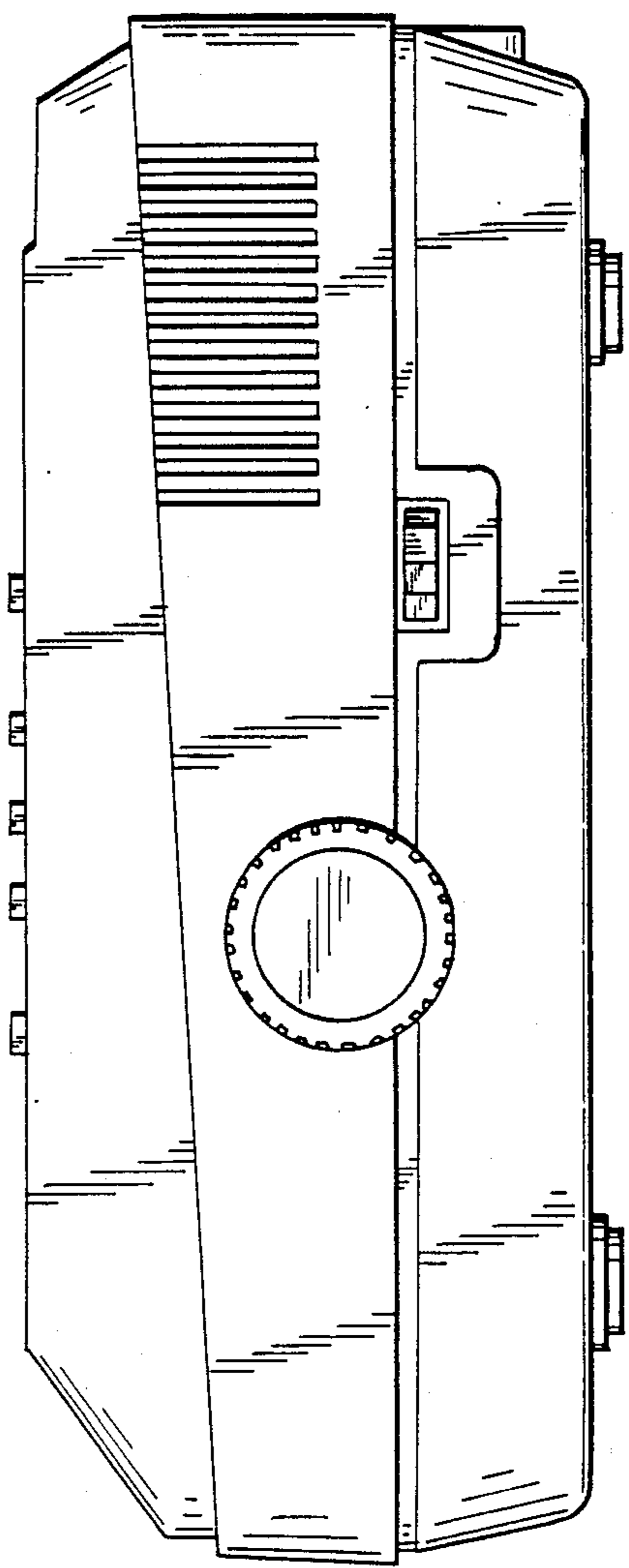


FIG. 5

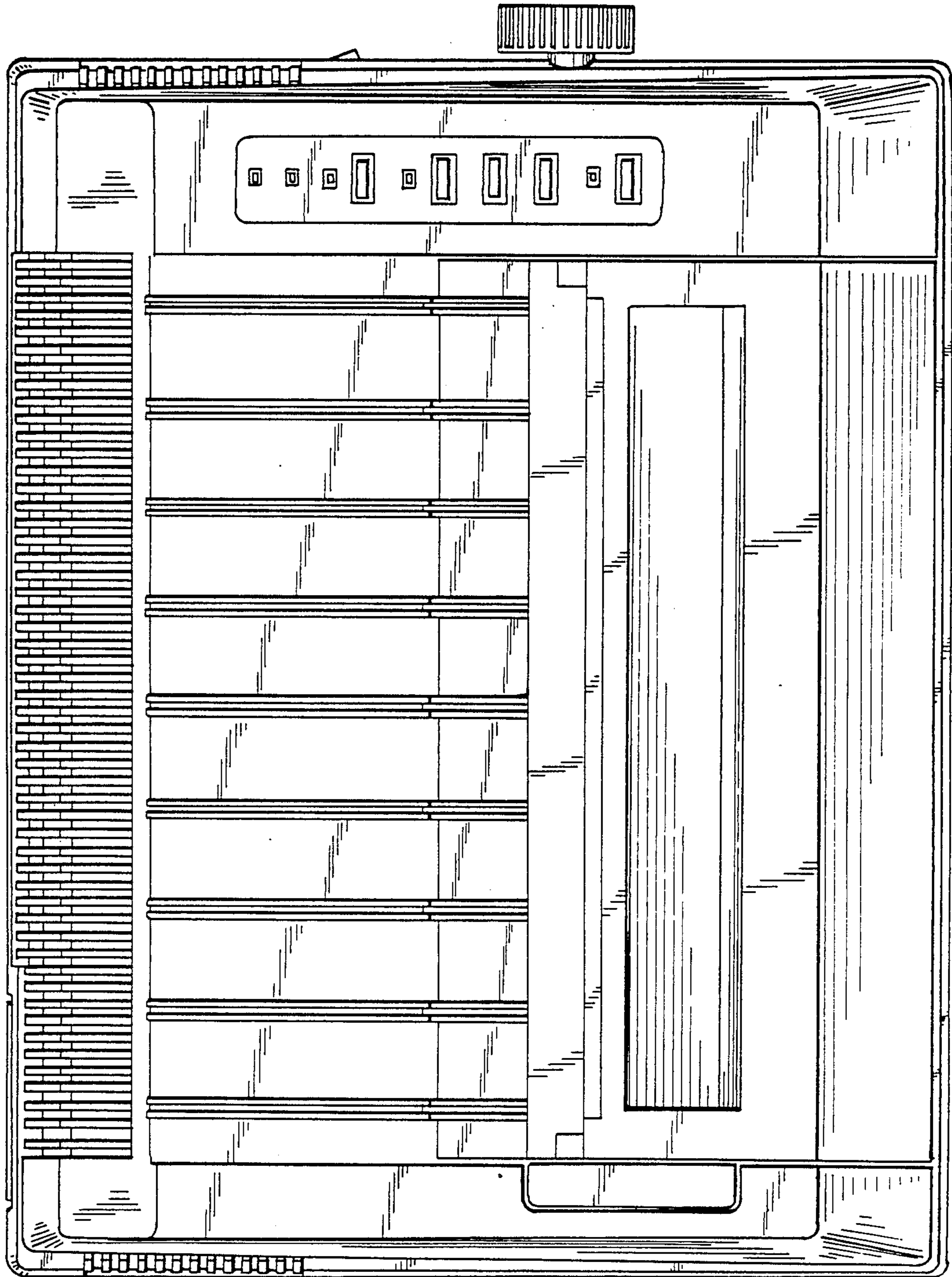
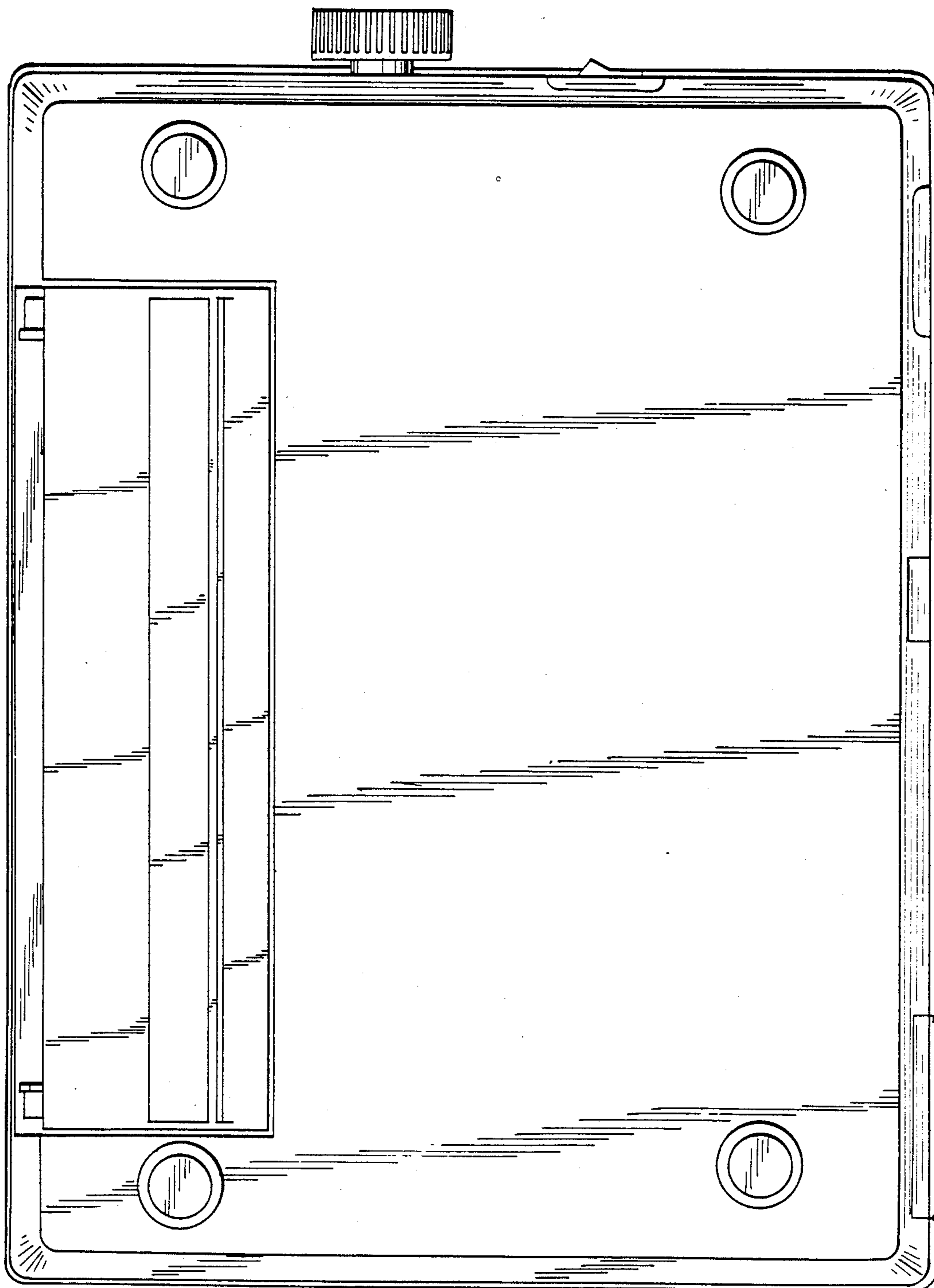


FIG. 6



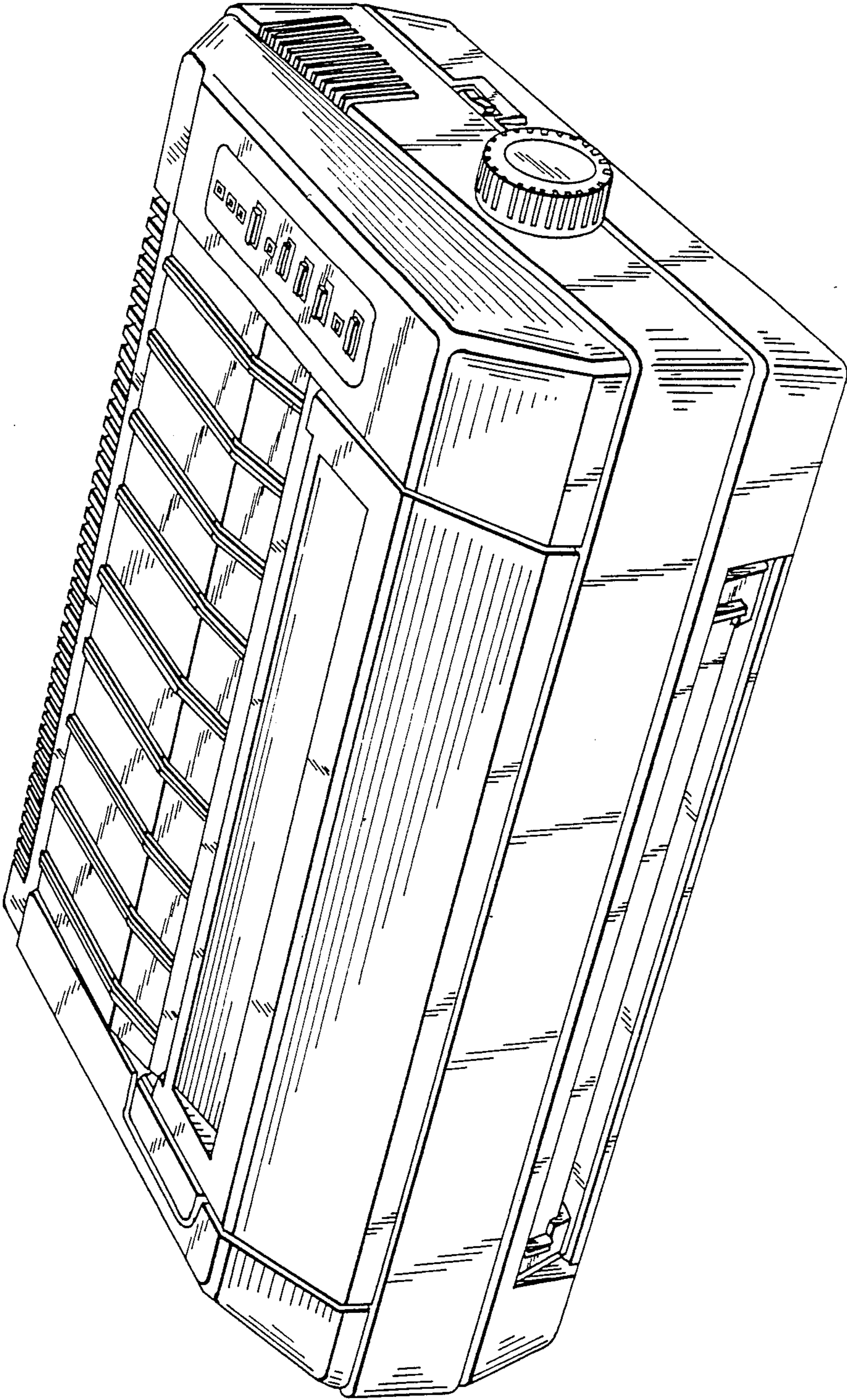


FIG. 7



FIG. 8

