

[54] MOBILE ANTENNA MOUNT

[75] Inventor: Ronald L. Yoder, Topeka, Ind.

[73] Assignee: Universal Consolidated Methods, Inc., Topeka, Ind.

[**] Term: 14 Years

[21] Appl. No.: 780,251

[22] Filed: Sep. 26, 1985

[52] U.S. Cl. D14/91; D8/396

[58] Field of Search D14/86-91, D14/99; 343/900, 901, 902, 903, 880, 881, 882, 715; D8/396

[56] References Cited

U.S. PATENT DOCUMENTS

D. 221,928	9/1971	Zucconi	D8/396
D. 279,473	7/1985	Hochstetler et al.	D14/91
D. 281,779	12/1985	Lilly	D14/91
4,161,735	7/1979	Zylla	343/715 X

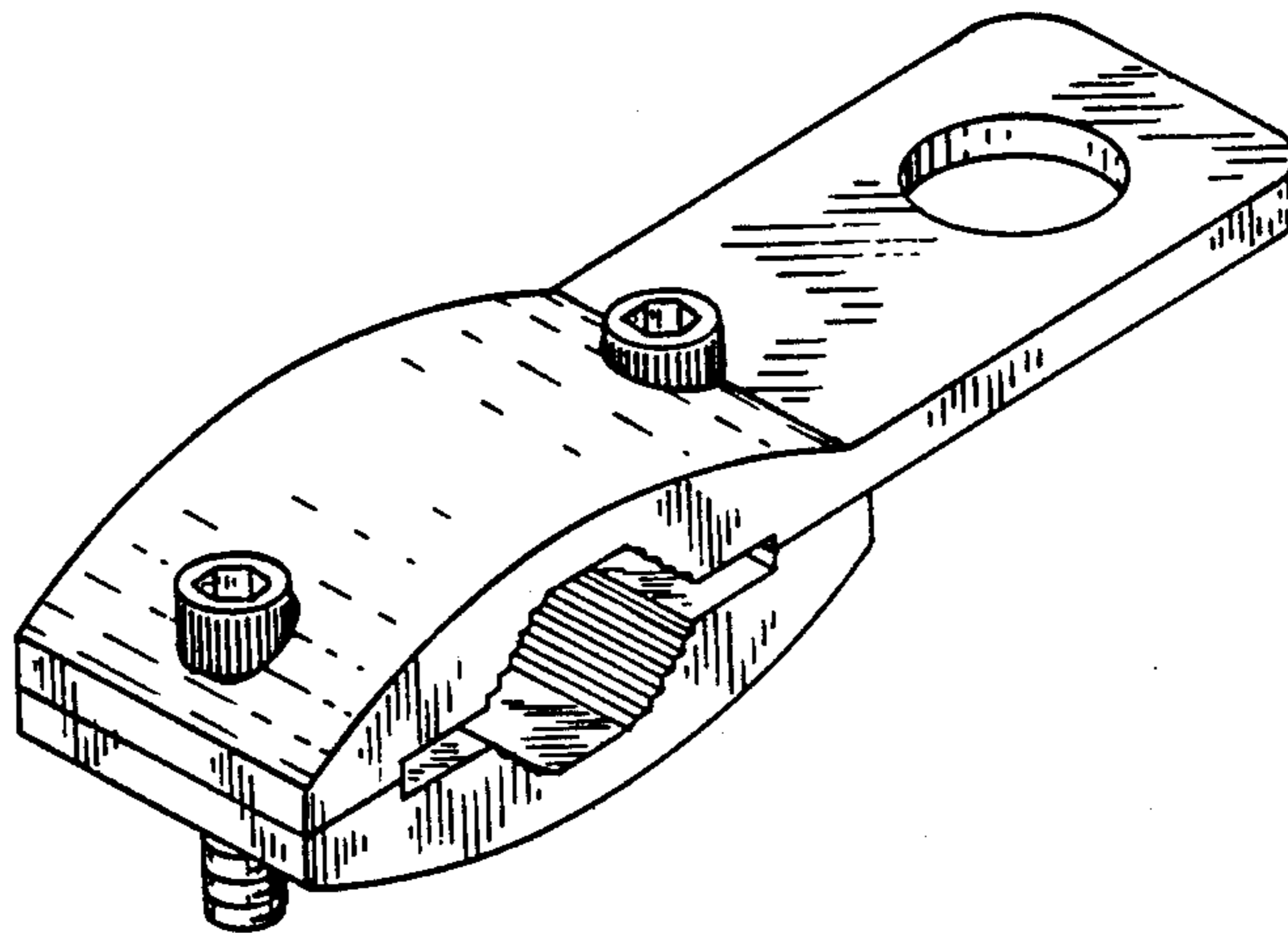
Primary Examiner—Bernard Ansher
Assistant Examiner—Theodore M. Shooman
Attorney, Agent, or Firm—Pearne, Gordon, McCoy & Granger

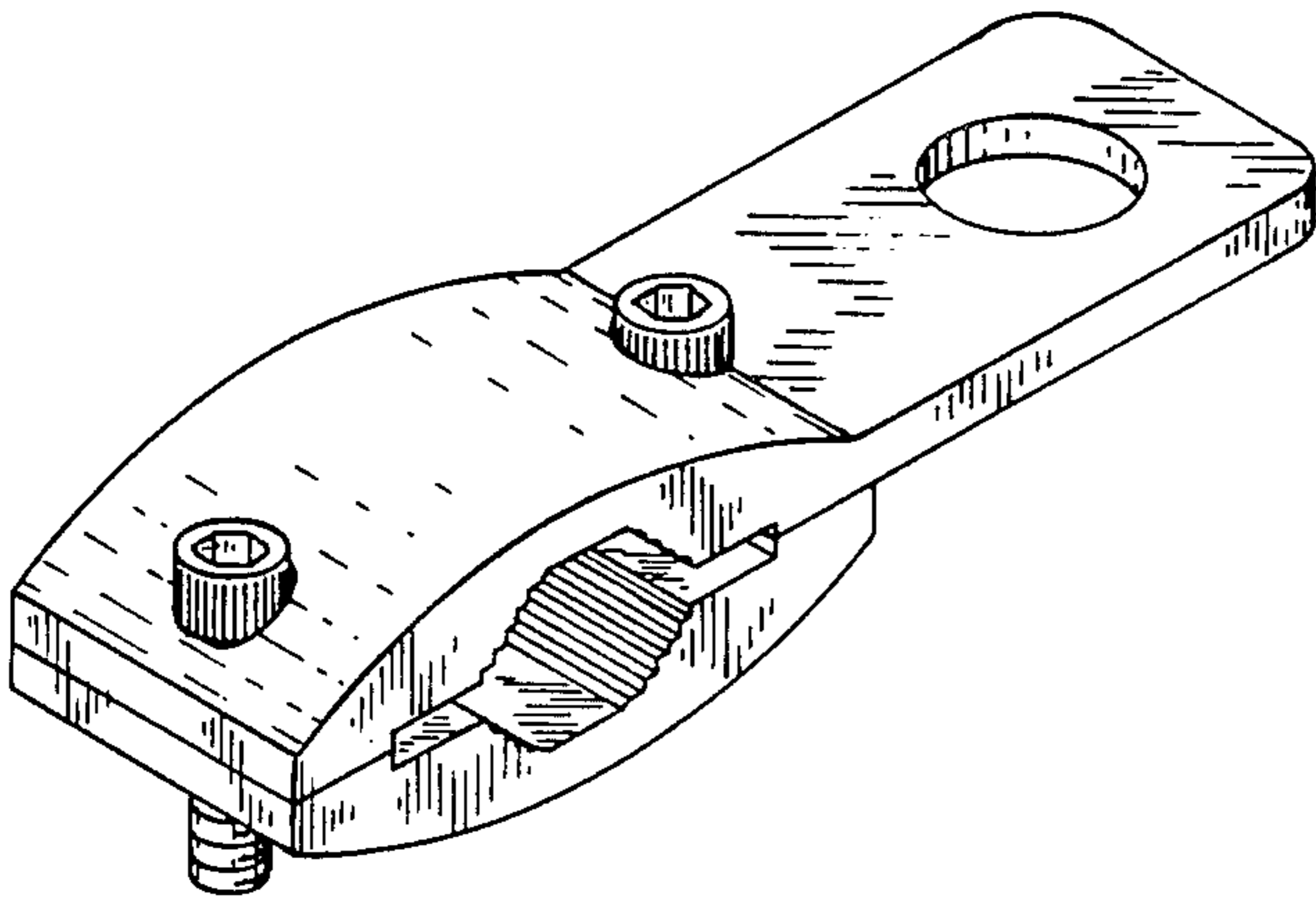
[57] CLAIM

The ornamental design for a mobile antenna mount, as shown and described.

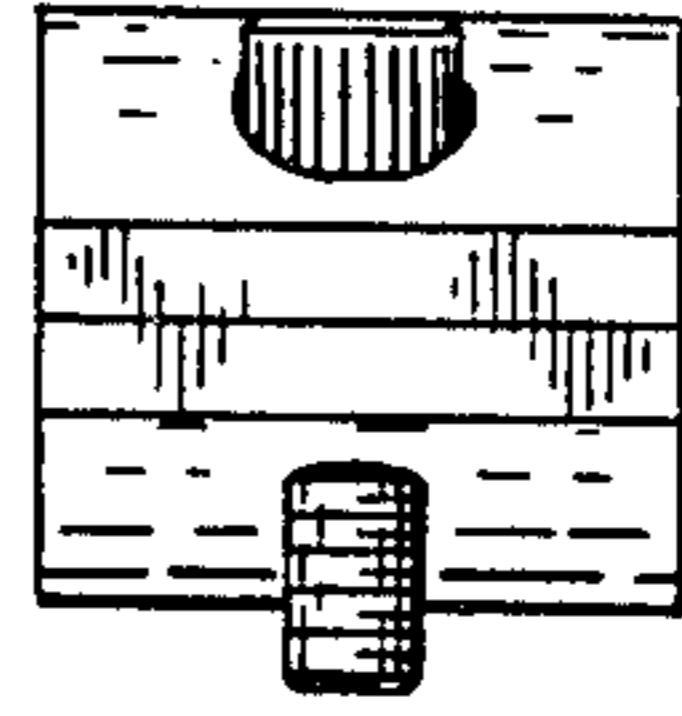
DESCRIPTION

FIG. 1 is a top, front and right side perspective view of a mobile antenna mount showing my new design; FIG. 2 is a front elevational view thereof; FIG. 3 is a right side elevational view thereof, the left side being a mirror image; FIG. 4 is a rear elevational view thereof; FIG. 5 is a top plan view thereof; FIG. 6 is a bottom plan view thereof; FIG. 7 is a top, front and right side perspective view of a second embodiment of the antenna mount illustrated in FIG. 1; FIG. 8 is a front elevational view of the embodiment disclosed in FIG. 7; FIG. 9 is a right side elevational view of the embodiment disclosed in FIG. 7, the left side being a mirror image; FIG. 10 is a rear elevational view of the embodiment disclosed in FIG. 7; FIG. 11 is a top plan view of the embodiment disclosed in FIG. 7; and, FIG. 12 is a bottom plan view of the embodiment disclosed in FIG. 7.

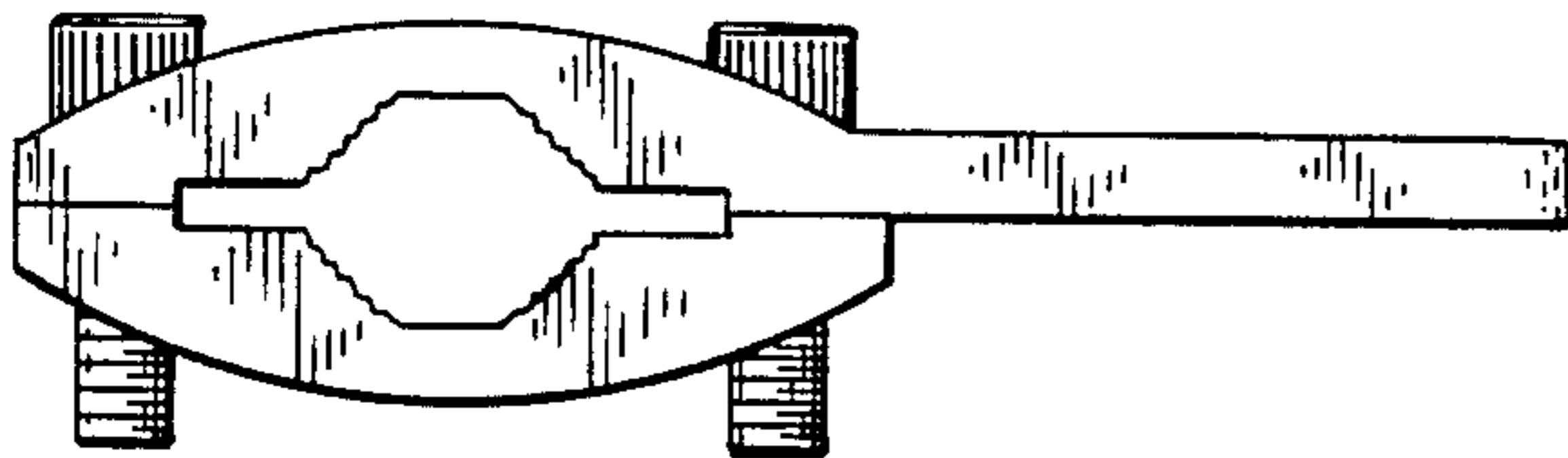




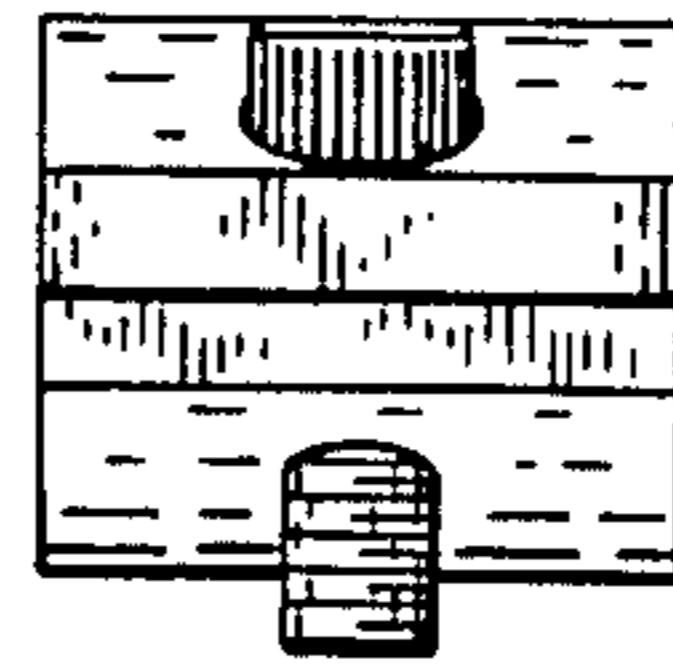
F I G 1



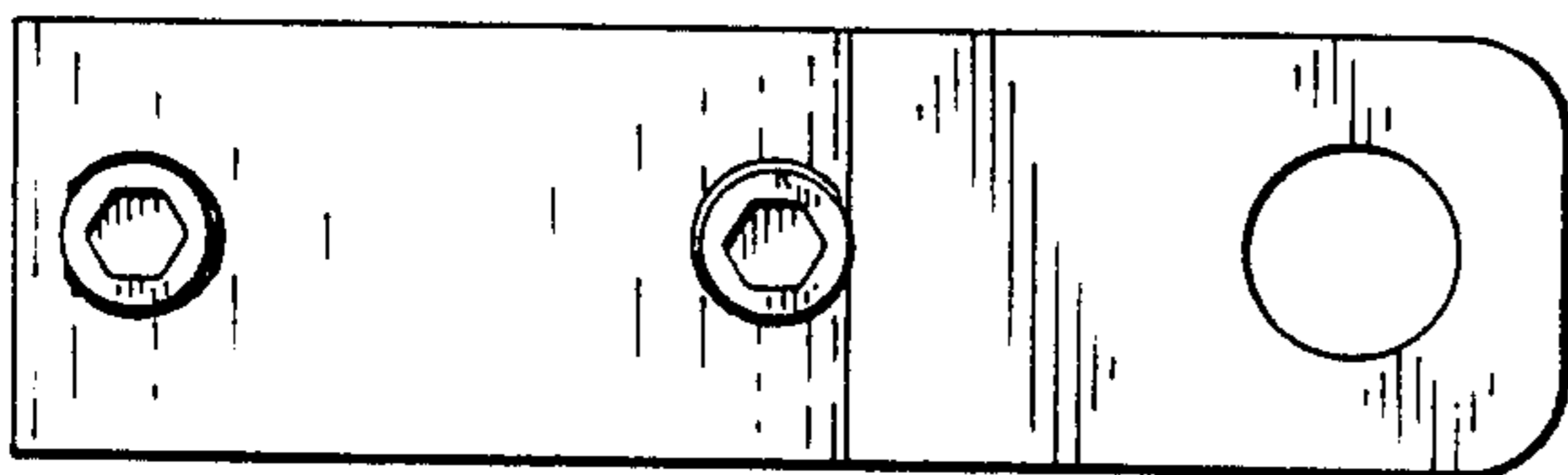
F I G 2



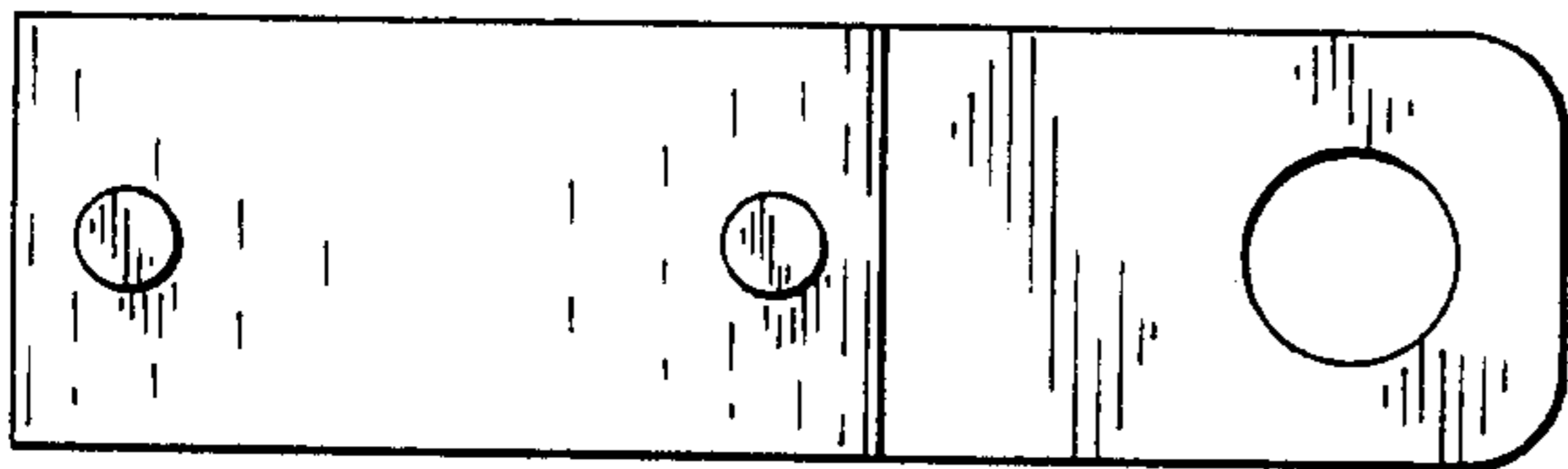
F I G 3



F I G 4



F I G 5



F I G 6

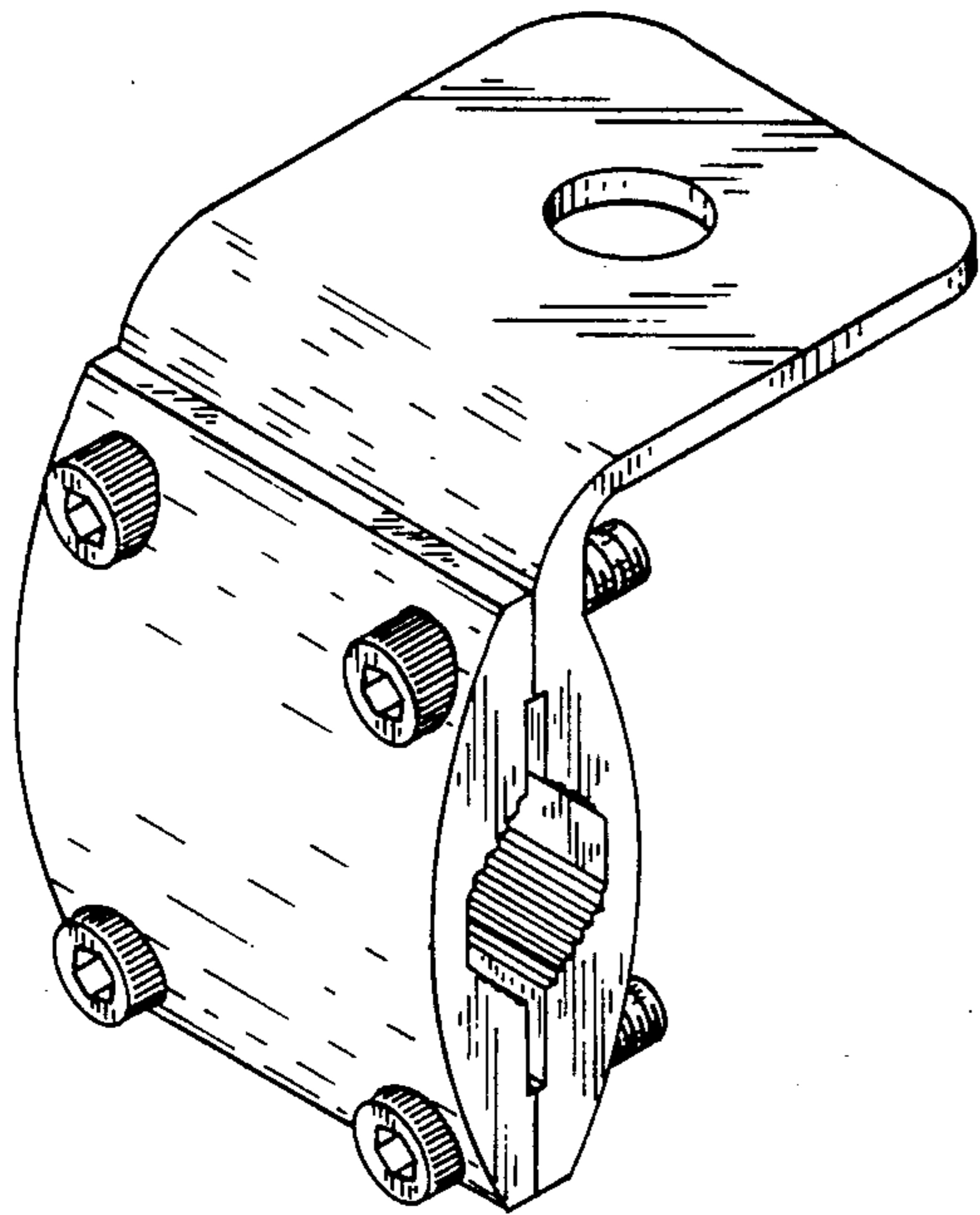


FIG. 7

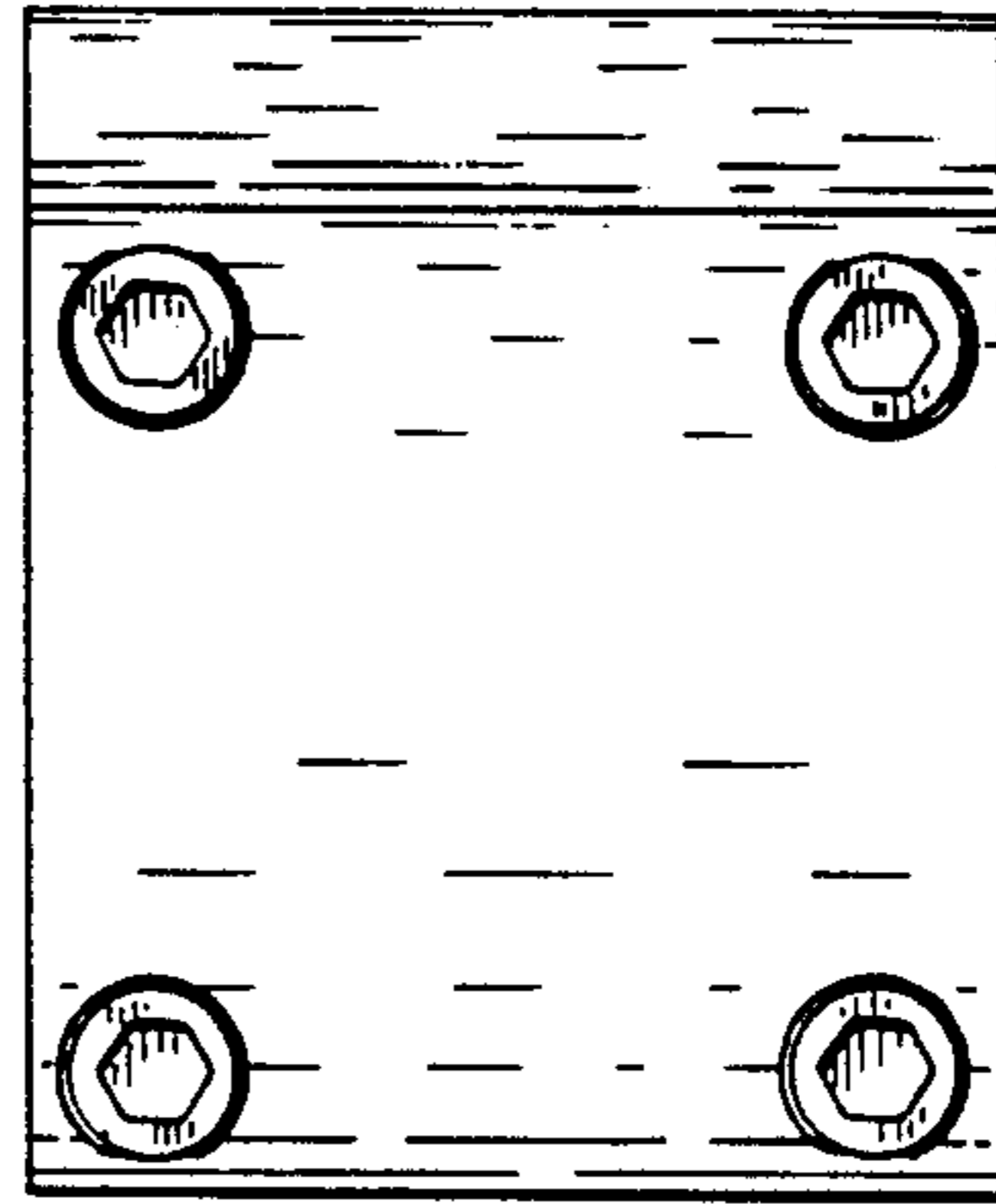


FIG. 8

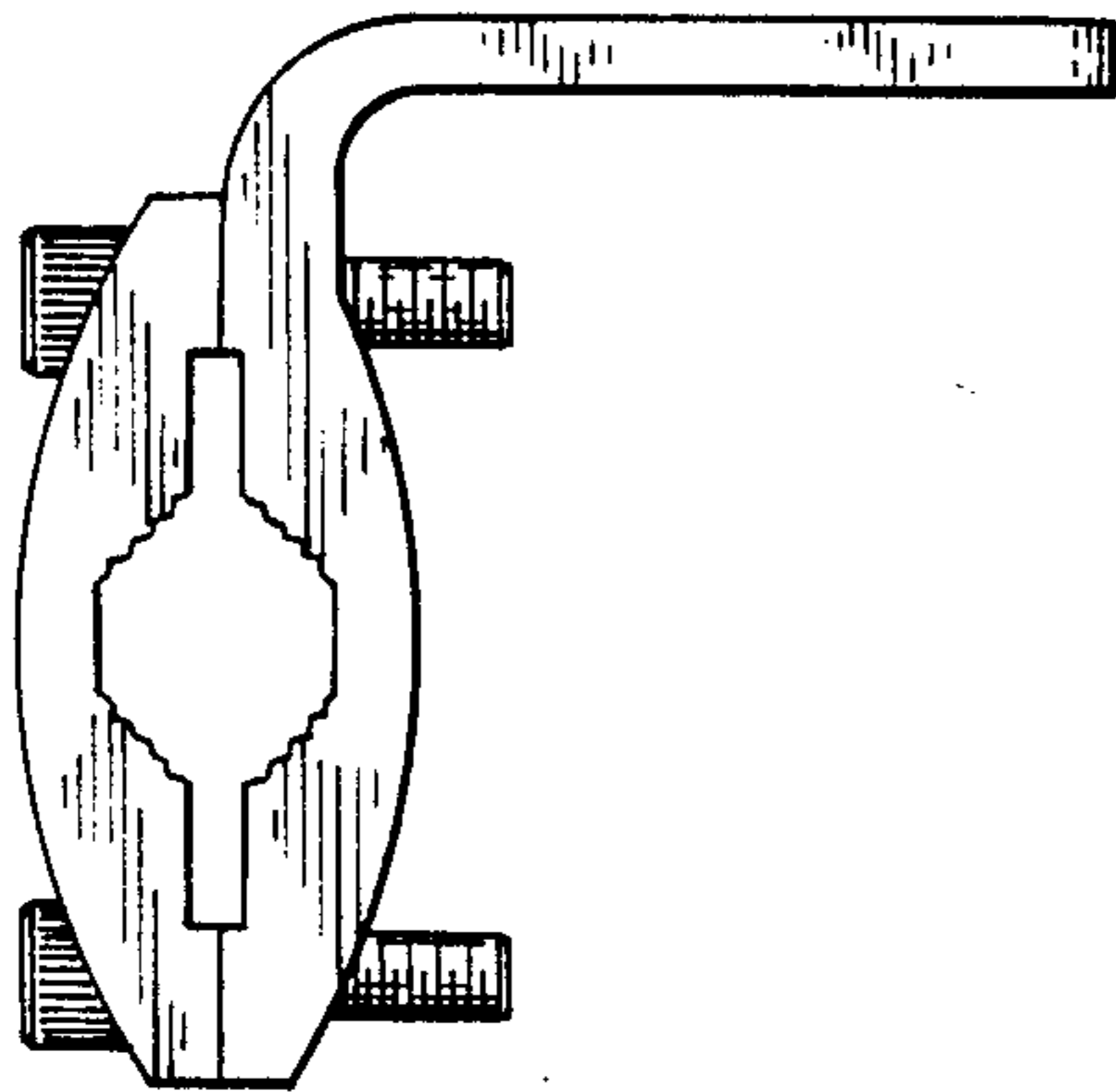


FIG. 9

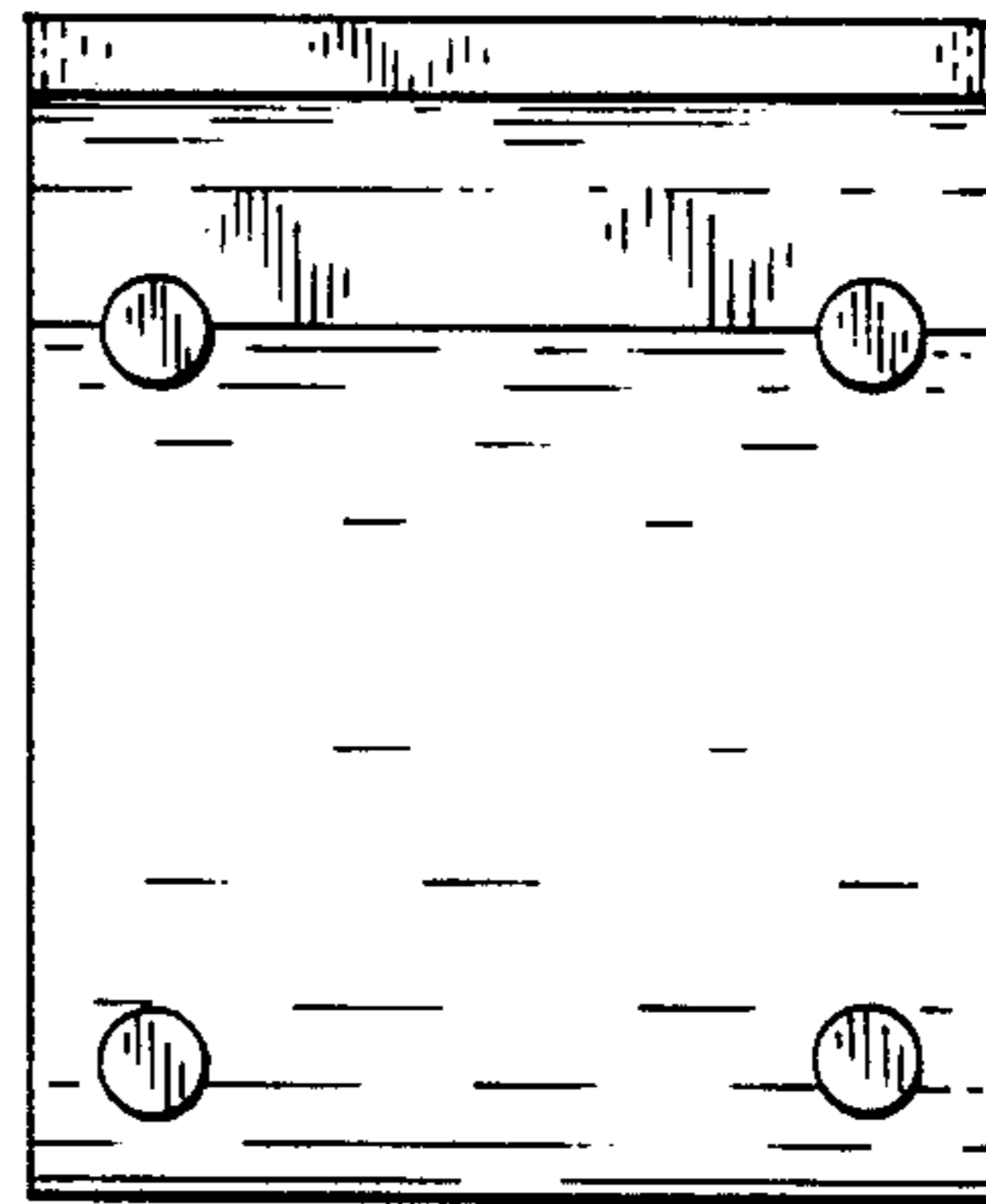


FIG. 10

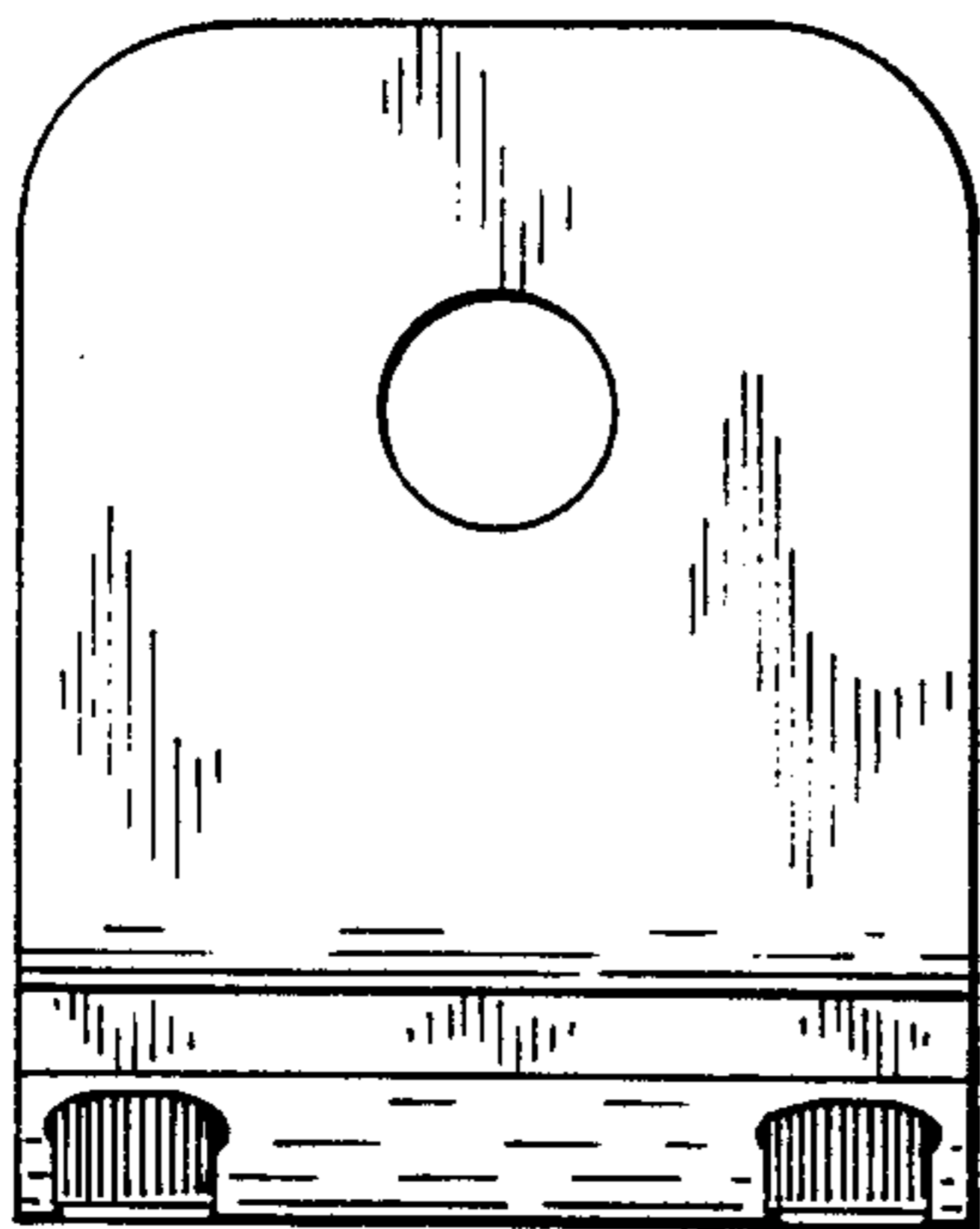


FIG. 11

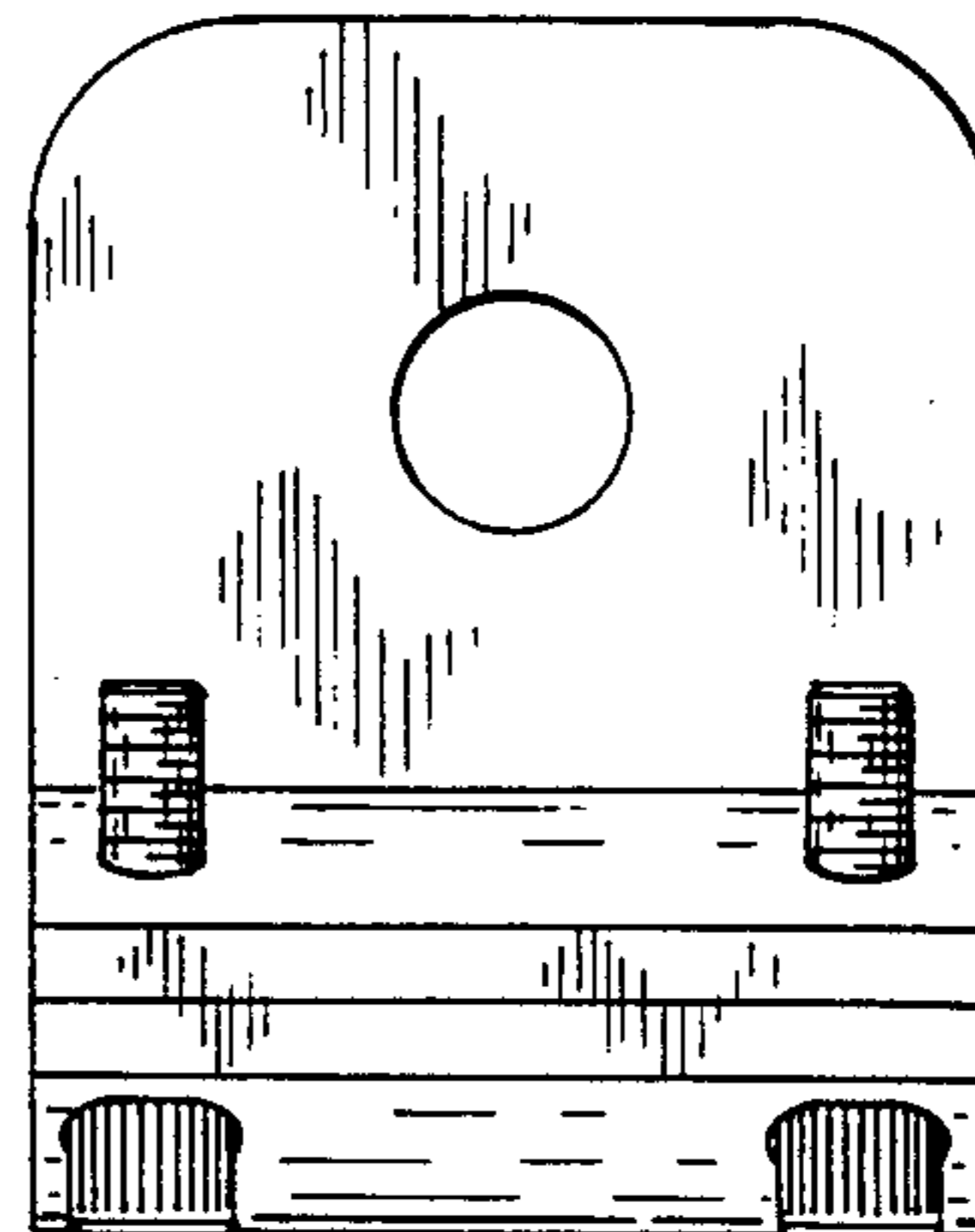


FIG. 12