

[54] MULTI-PURPOSE MODULAR JACK CONNECTING BLOCK

[75] Inventors: Randy Below, Woodbury, Conn.; Howard Burke, Stone Mountain, Ga.; Stephen M. Thomas, Torrington, Conn.

[73] Assignee: The Siemon Company, Watertown, Conn.

[**] Term: 14 Years

[21] Appl. No.: 707,442

[22] Filed: Mar. 1, 1985

[52] U.S. Cl. D13/24

[58] Field of Search D13/11-13, D13/20, 23-31, 99; D8/353; 339/176 R, 176 M; 379/332; 174/49, 50, 53, 56, 67

[56] References Cited

U.S. PATENT DOCUMENTS

D. 253,287 10/1979 Simokat D13/11
4,040,699 8/1977 Rasmussen 339/176 R

Primary Examiner—Susan J. Lucas
Assistant Examiner—Clare E. Heflin
Attorney, Agent, or Firm—Fishman & Dionne

[57] CLAIM

The ornamental design for a multi-purpose modular jack connecting block, substantially as shown and described.

DESCRIPTION

FIG. 1 is a front elevation view of the multi-purpose modular jack connecting block showing our new design;
FIG. 2 is a right side elevation view thereof, the left side being a mirror image;
FIG. 3 is a top plan view thereof;
FIG. 4 is a rear elevational view thereof;
FIG. 5 is a bottom plan view thereof.

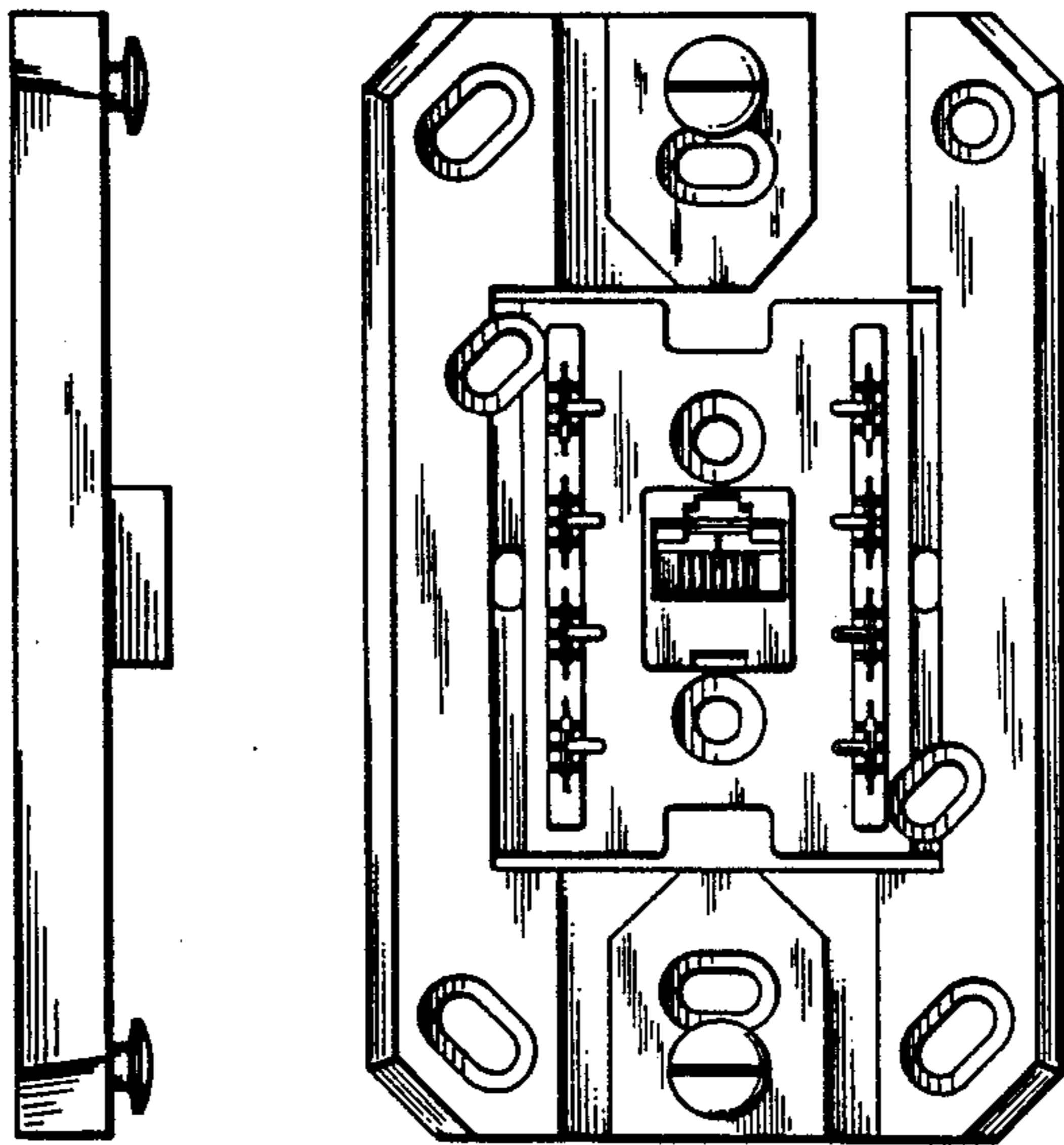


FIG. 2

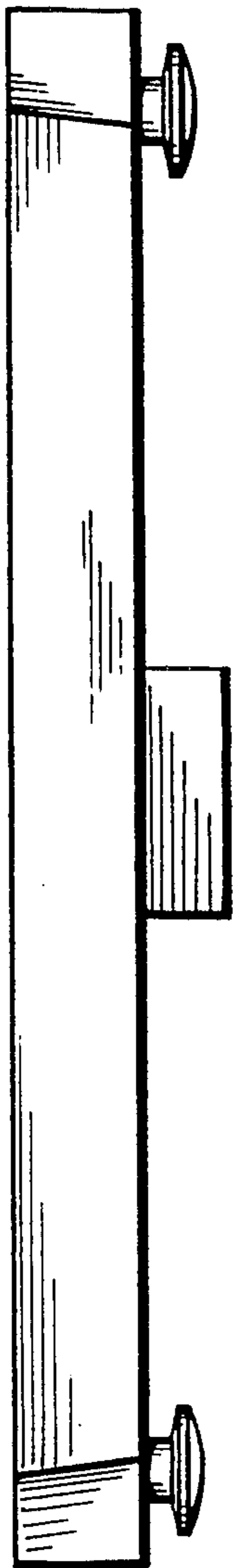


FIG. 1

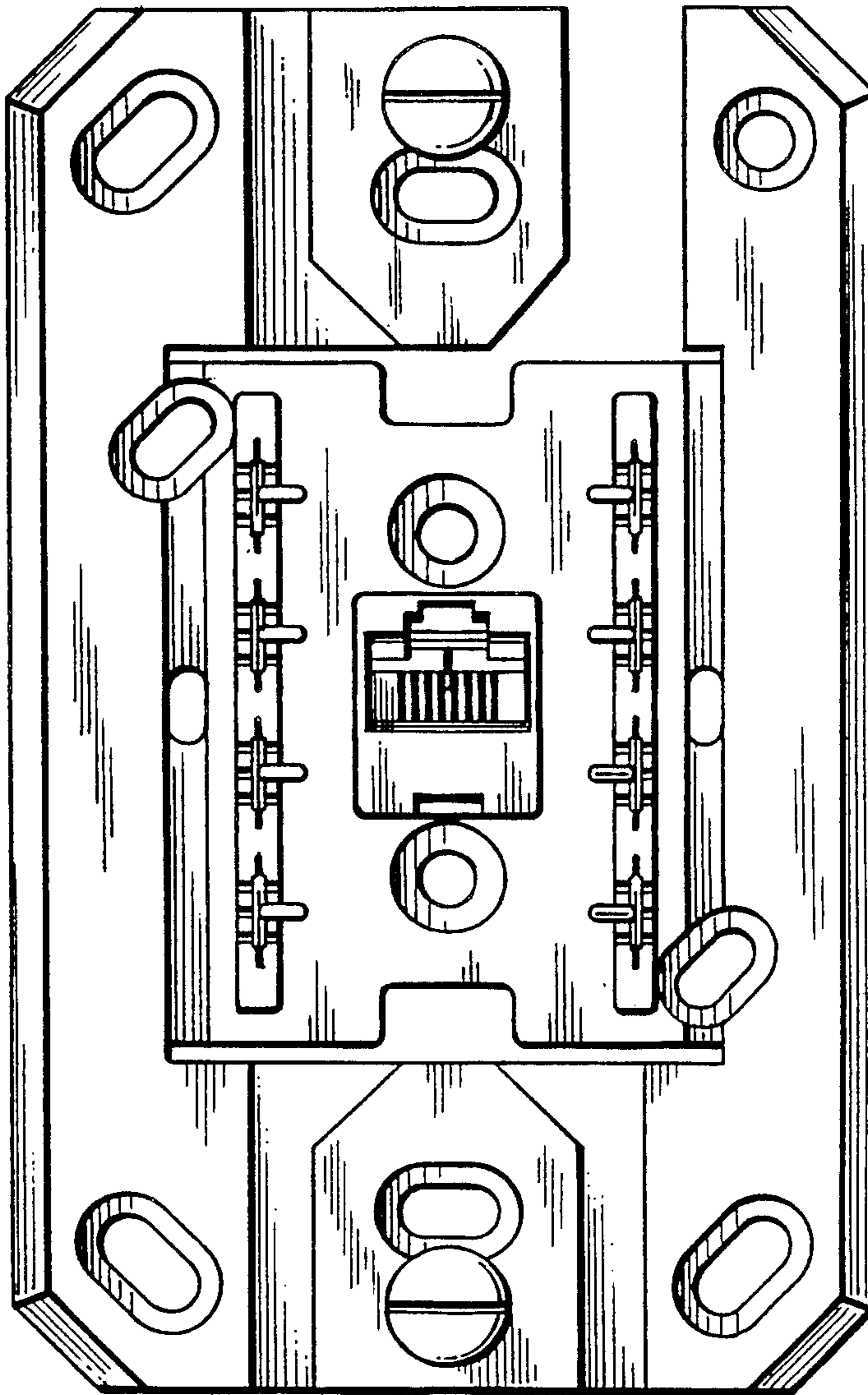


FIG. 3

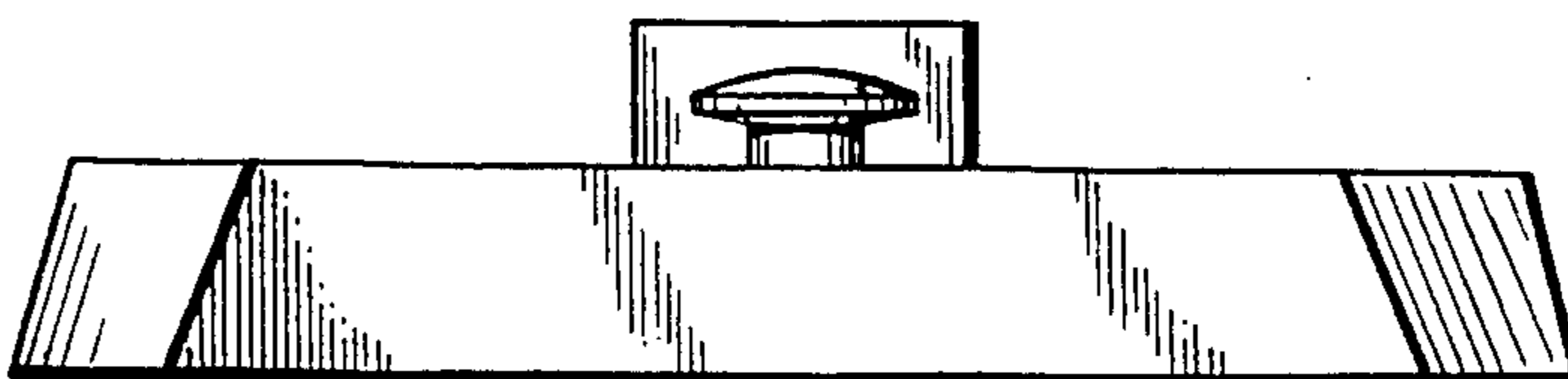


FIG. 4

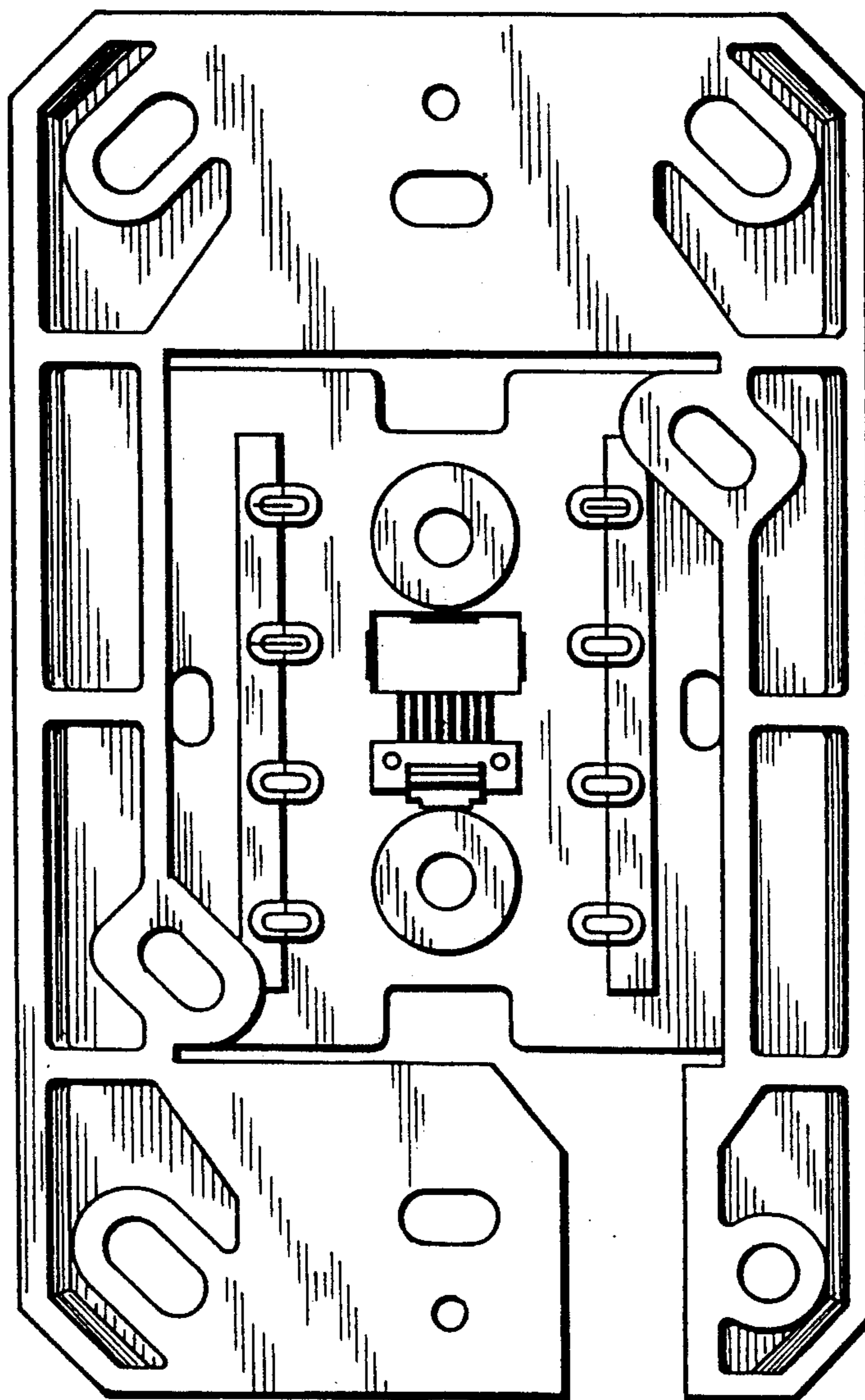


FIG. 5

