

[54] FOOT GUARD FOR THREE WHEELED VEHICLES

[76] Inventors: Leon M. Ableidinger; George D. Pehl, both of Arena, N. Dak. 58412

[\*\*] Term: 14 Years

[21] Appl. No.: 719,010

[22] Filed: Apr. 3, 1985

[52] U.S. Cl. .... D12/126

[58] Field of Search ..... D12/114, 126; 280/289 G, 291; 180/215

[56] References Cited

U.S. PATENT DOCUMENTS

D. 255,790 7/1980 McManigal ..... D12/157

OTHER PUBLICATIONS

J. C. Whitney Motorcycle Parts & Accessories catalog No. 28 C, ©1983, p. 25, Front Engine Guard, bottom of page.

J. C. Whitney Motorcycle Parts & Accessories catalog

No. 28 C, ©1983, p. 66, Skid Plate/Brush Guard for ATVs, top of page.

J. C. Whitney Motorcycle Parts & Accessories catalog No. 28 C, ©1983, p. 67, Brush Guard/Footrest, bottom of page.

Primary Examiner—James M. Gandy  
Attorney, Agent, or Firm—Charles L. Rubow

[57] CLAIM

The ornamental design for a foot guard for three wheeled vehicles, substantially as shown and described.

DESCRIPTION

FIG. 1 is a right, front quarter perspective view of a foot guard for three wheeled vehicles showing our new design;

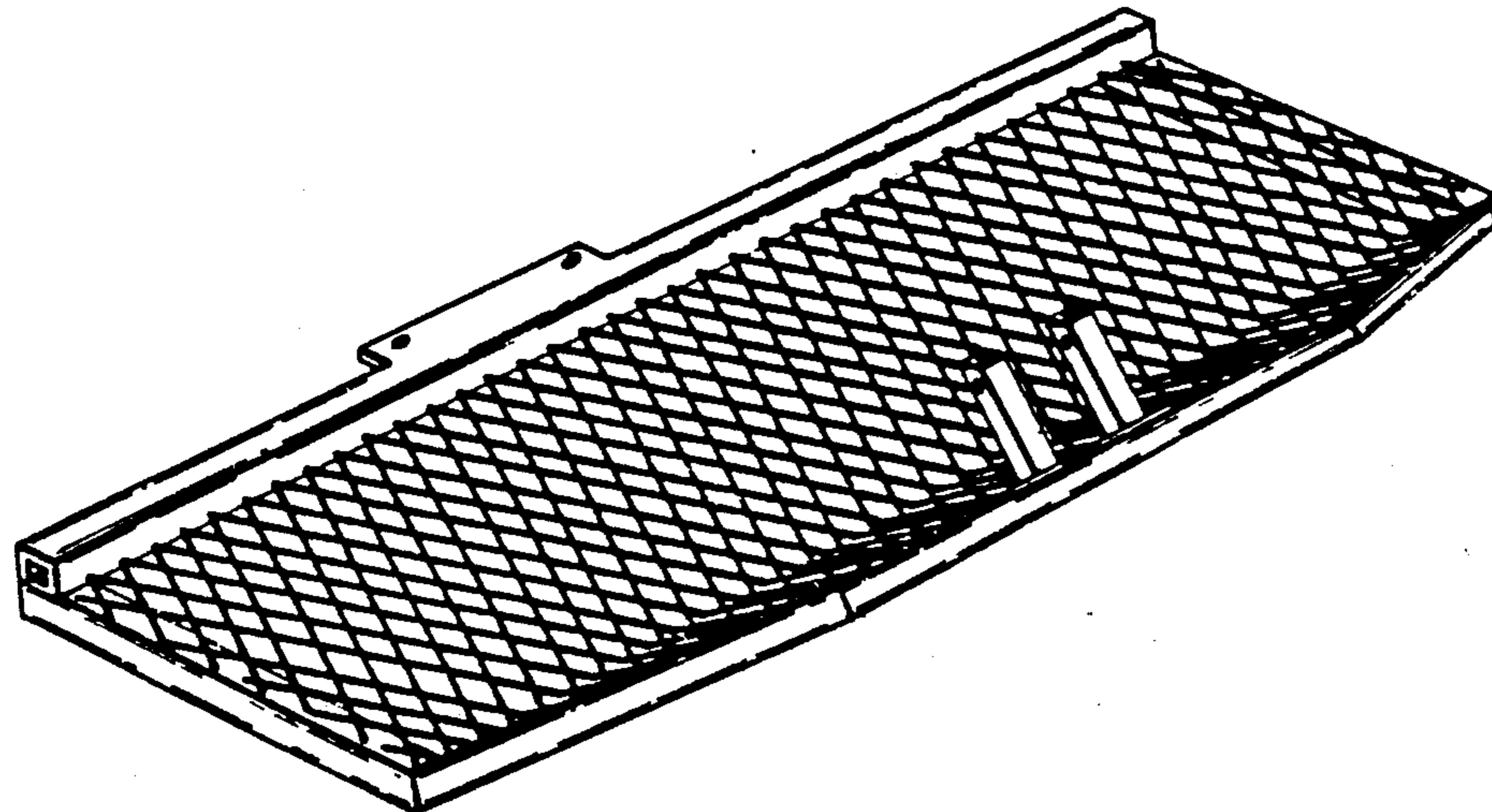
FIG. 2 is a right side elevation view thereof;

FIG. 3 is a front elevation view thereof;

FIG. 4 is a rear elevation view thereof;

FIG. 5 is a top plan view thereof; and,

FIG. 6 is a right rear quarter perspective view thereof on a reduced scale mounted on a three wheeled vehicle which is shown in broken lines for illustrative purposes only and forms no part of the claimed design.



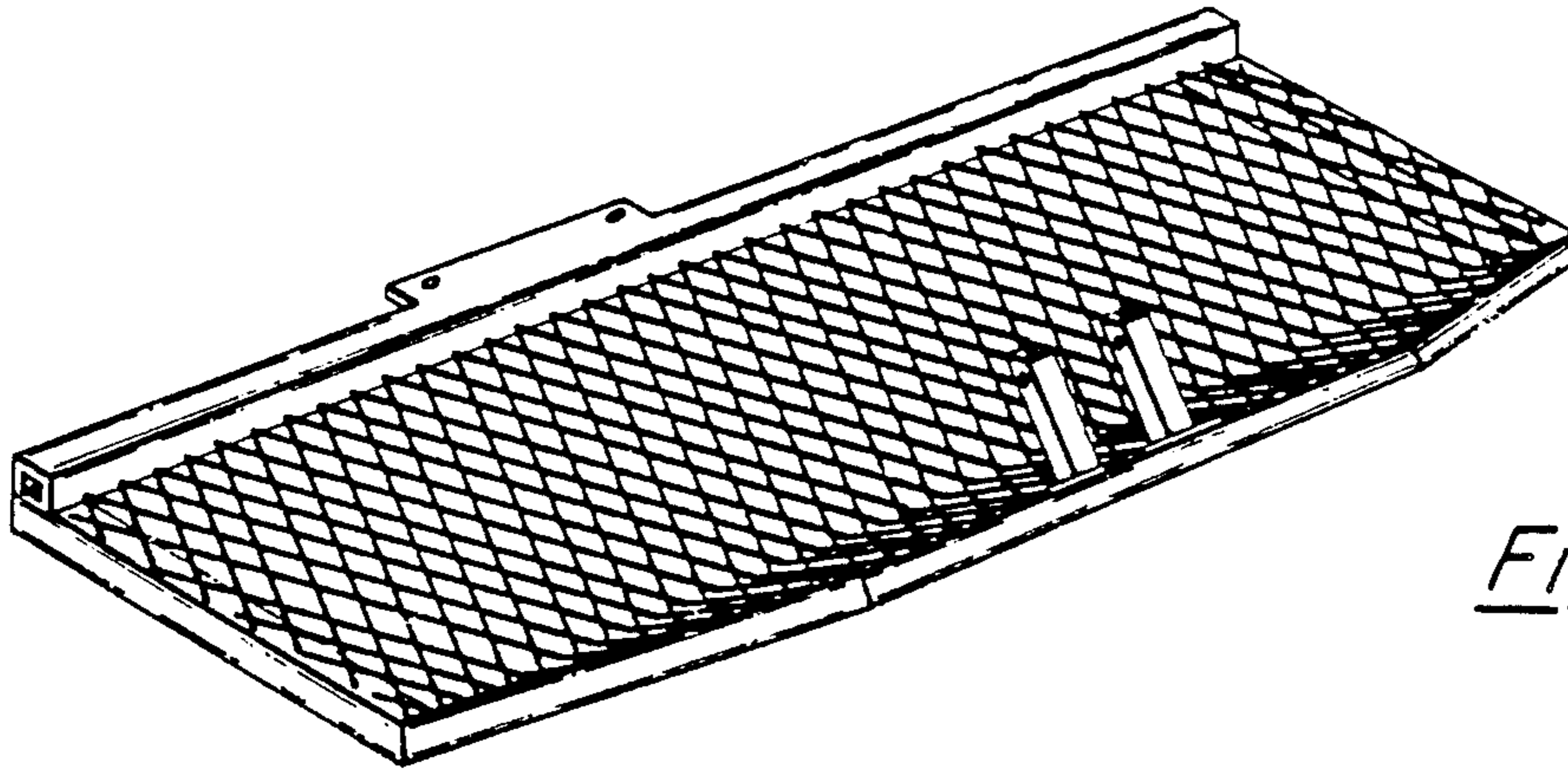


Fig. 1

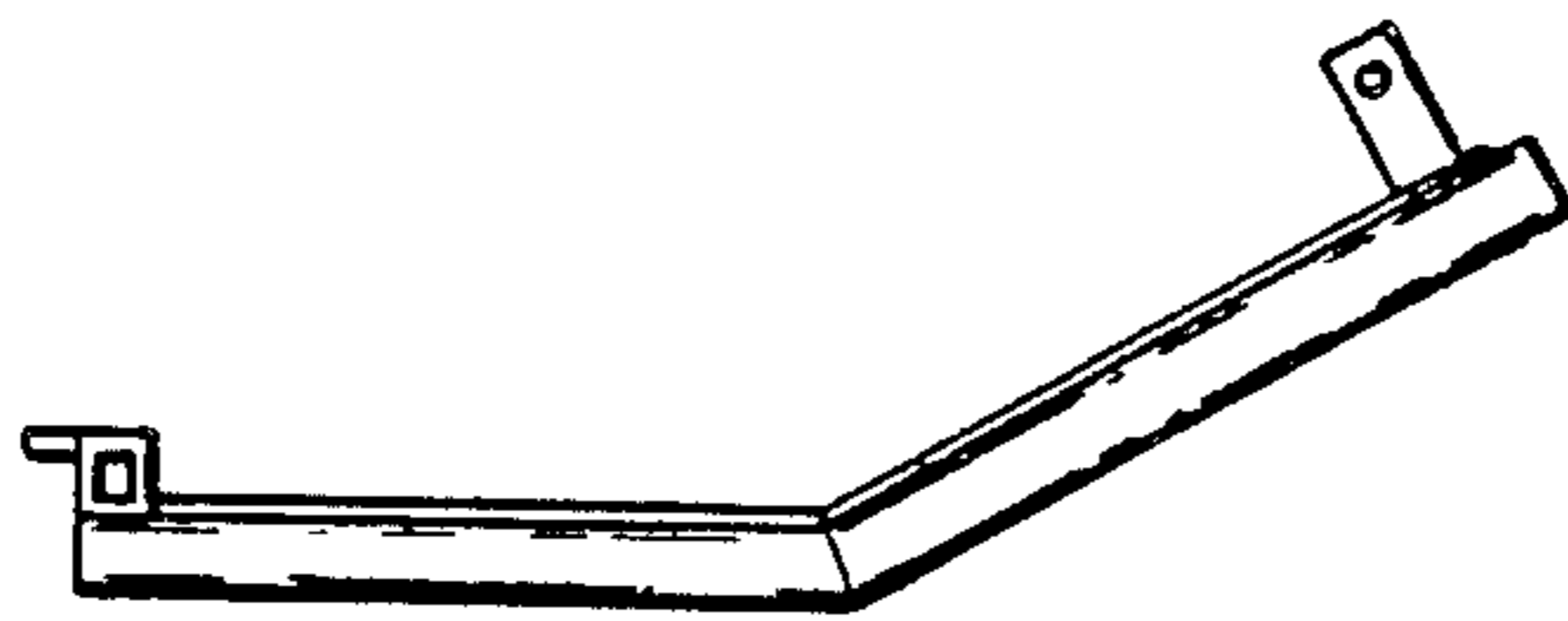


Fig. 2

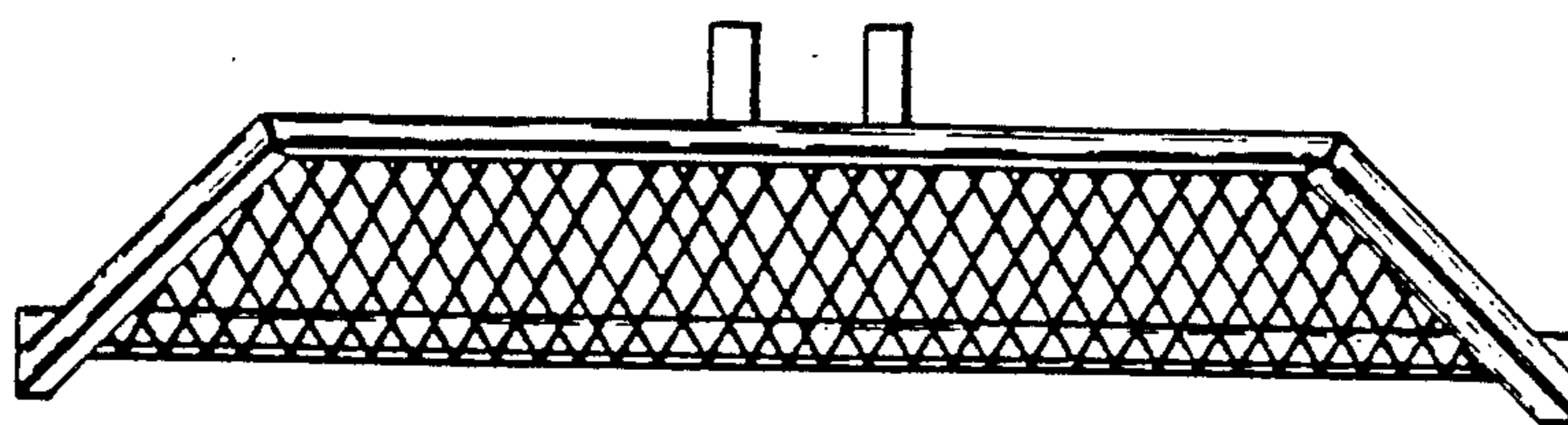


Fig. 3

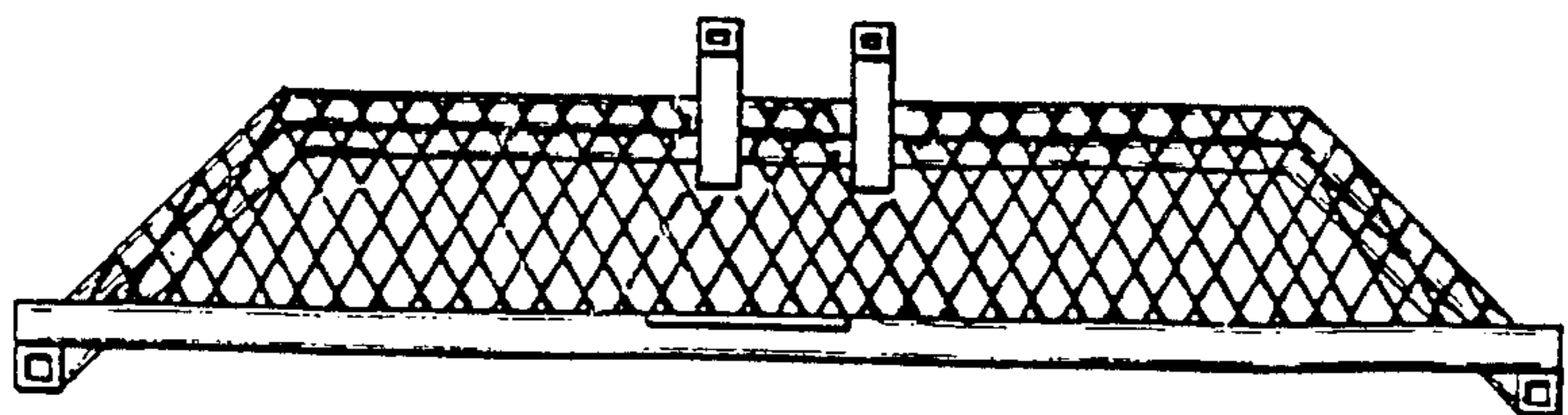


Fig. 4

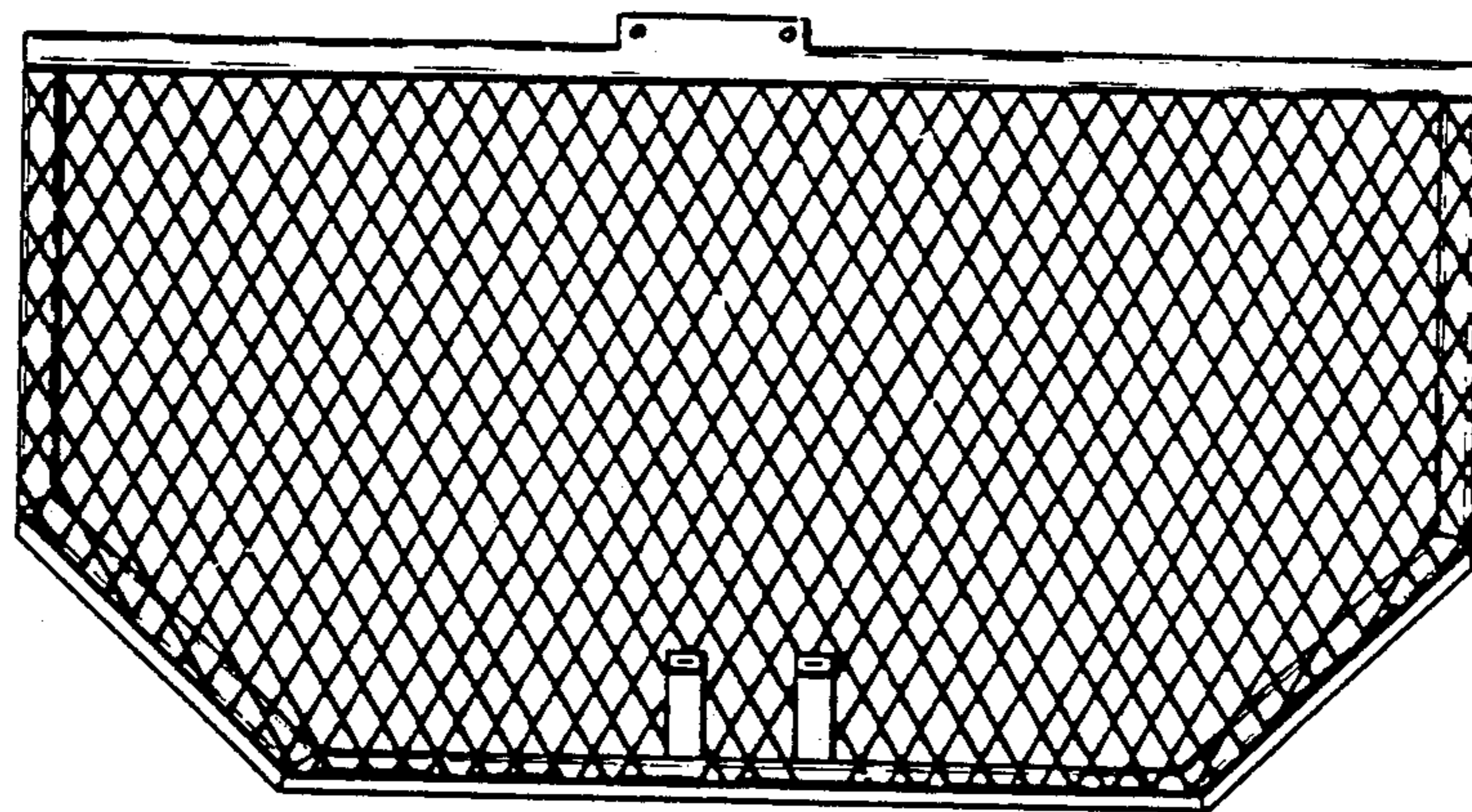


Fig. 5

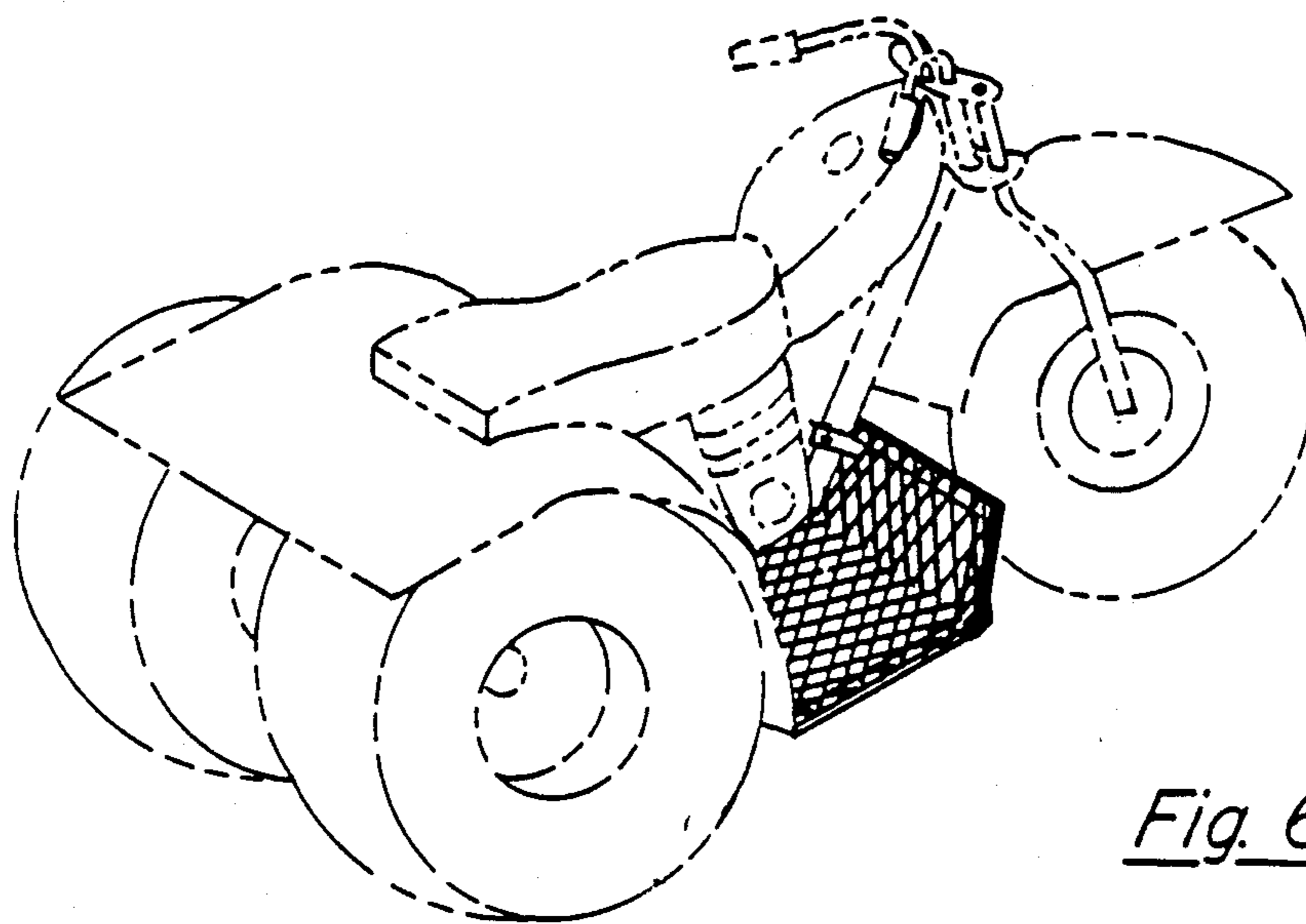


Fig. 6