

[54] CLOTHES HANGER CLAMP FOR LUGGAGE

[75] Inventors: Lawrence R. Mobley, Aurora; Richard E. Molesworth, Highlands Ranch; Daniel R. Skewis, Westminster, all of Colo.

[73] Assignee: Samsonite Corporation, Denver, Colo.

[*] Notice: The portion of the term of this patent subsequent to Feb. 2, 2002 has been disclaimed.

[**] Term: 14 Years

[21] Appl. No.: 754,473

[22] Filed: Jul. 12, 1985

[52] U.S. Cl. D8/330

[58] Field of Search D8/330-331, D8/333, 336, 338, 349; 211/113; 24/516-517, 499; 206/278-279, 291, 285, 287, 289, 292, 300

[56] References Cited

U.S. PATENT DOCUMENTS

- Re. 31,075 11/1982 London et al. 24/516 X
- 743,454 11/1903 Cohn .
- 851,661 4/1907 Hewlett et al. .
- 1,285,981 11/1918 Glassburn .
- 1,948,019 2/1934 Ballentine 206/287

(List continued on next page.)

FOREIGN PATENT DOCUMENTS

- 528259 6/1931 Fed. Rep. of Germany .

OTHER PUBLICATIONS

Harrington & King Perforating Co. catalogue, No. 7B-straight, p. 67 (1979).

Harrington & King Perforating Co. catalogue, 3/32" x 1" oblong end, p. 117 (1979).

(List continued on next page.)

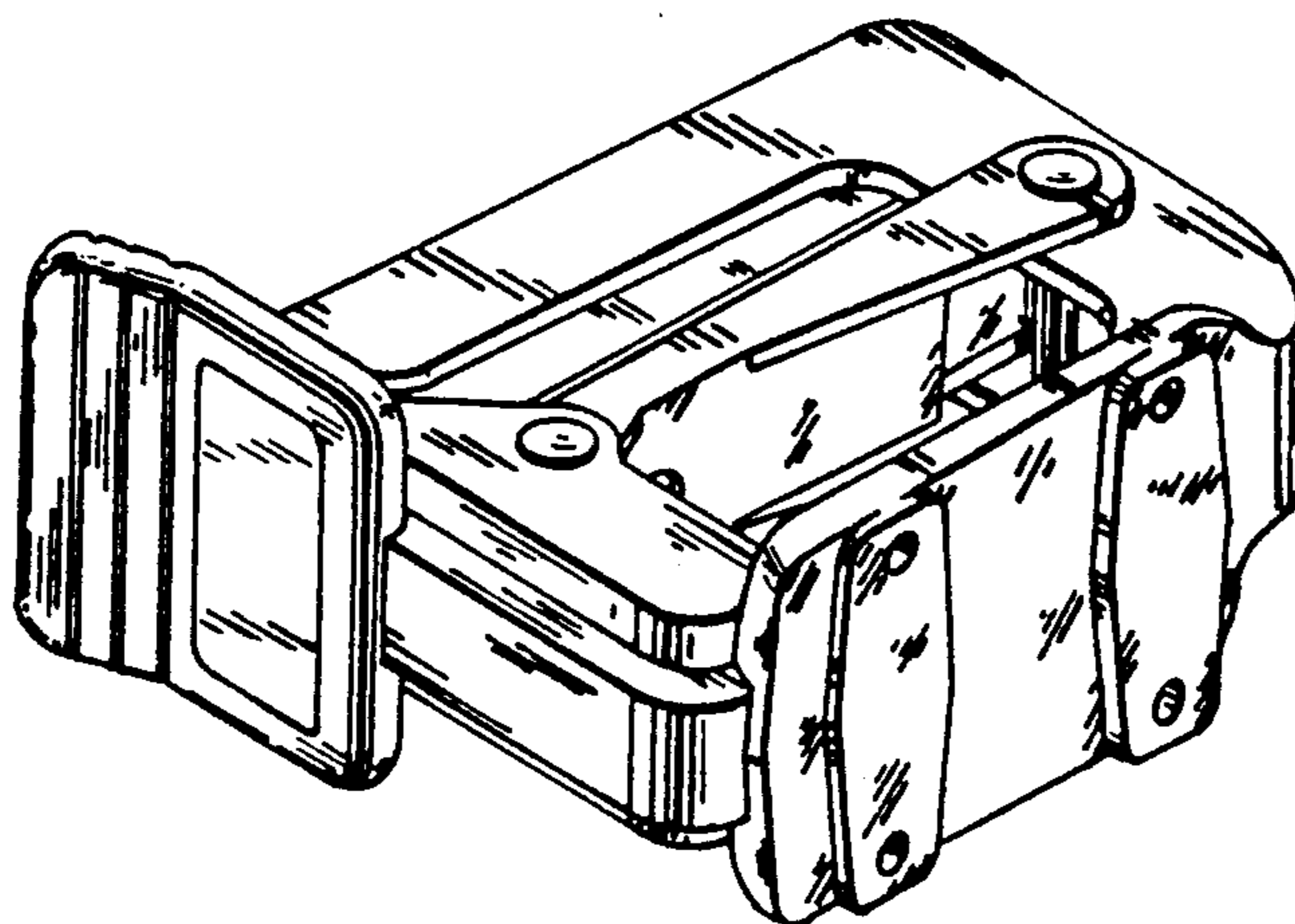
Primary Examiner—B. J. Bullock
Assistant Examiner—Brian N. Vinson
Attorney, Agent, or Firm—John R. Ley

[57] CLAIM

The ornamental design for a clothes hanger clamp for luggage, as shown.

DESCRIPTION

FIG. 1 is a perspective view of an clothes hanger clamp for luggage embodying our new design; FIG. 2 is a front end elevational view thereof; FIG. 3 is a rear end elevational view thereof; FIG. 4 is a left side elevational view thereof; FIG. 5 is a top plan view thereof; FIG. 6 is a right side elevational view thereof; FIG. 7 is a bottom plan elevational view thereof; FIG. 8 is a left side elevational view thereof shown in an opened position; FIG. 9 is a left side elevational view of a second embodiment thereof, the only difference residing in the appearance of the perforations in the jaw members; FIG. 10 is a left side elevational view of a third embodiment thereof, the only difference residing in the appearance of the perforations in the jaw members; FIG. 11 is a left side elevational view of a fourth embodiment thereof, the only difference residing in the appearance of the perforations in the jaw members; FIG. 12 is a left side elevational view of a fifth embodiment thereof, the only difference residing in the appearance of the perforation in the jaw members; FIG. 13 is a left side elevational view of a sixth embodiment thereof, the only difference residing in the appearance of the perforations in the jaw members; FIG. 14 is a left side elevational view of a seventh embodiment thereof, the only difference residing in the appearance of the perforations in the jaw members; FIG. 15 is a left side elevational view of a eighth embodiment thereof, the only difference residing in the appearance of the perforations in the jaw members; and FIG. 16 is a left side elevational view of a ninth embodiment thereof, the only difference residing in the appearance of the perforations in the jaw members. With respect to the alternative embodiments of the design shown in FIGS. 9 through 17, each right side elevational view is a mirror image thereof; each front end elevational view thereof, each rear end elevational view thereof, each top plan view thereof, and each bottom plan view thereof is respectively illustrated in FIGS. 2, 3, 5 and 7; and each perspective view thereof is illustrated by FIG. 1 incorporating the alternative embodiments of each of the FIGS. 9 through 17, respectively.



U.S. PATENT DOCUMENTS

2,066,148 12/1936 Heiber et al. 24/271 X
2,235,407 3/1941 Pujol 24/516
2,251,800 8/1941 Painter .
3,228,738 1/1966 Koffler 206/278 X
3,531,835 10/1970 Paikin .
3,566,456 3/1971 London 206/279
3,883,003 5/1975 Samhammer et al. 206/278 X
4,252,220 2/1981 London 24/516 X

4,363,388 12/1982 London et al. 24/517 X
4,489,466 12/1984 Bakker 24/516 X

OTHER PUBLICATIONS

Harrington & King Perforating Co. catalogue, 0.078" triangular, p. 136 (1979).
Harrington & King Perforating Co. catalogue, style E diagonal lattice, p. 168 (1979).

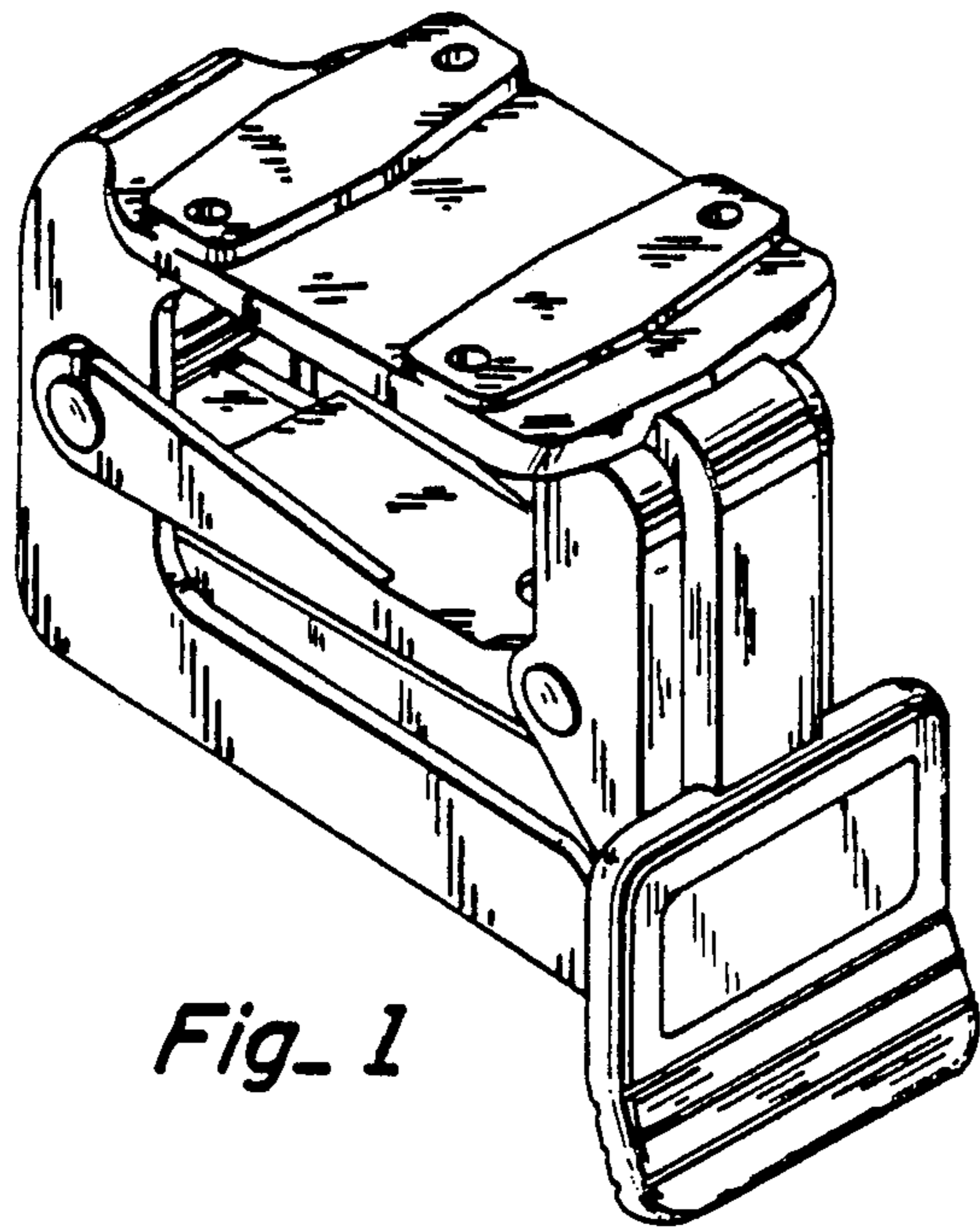


Fig-1

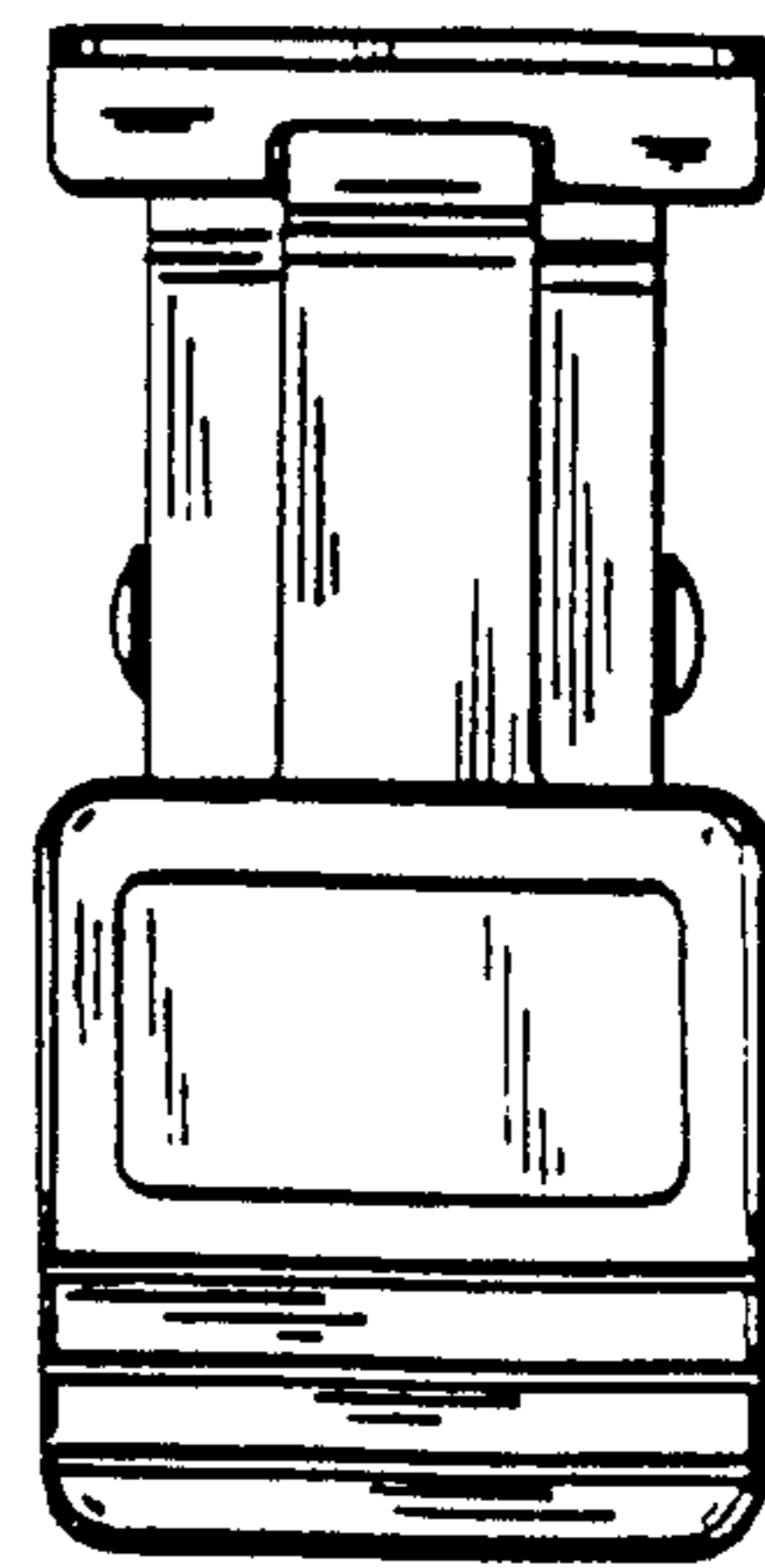


Fig-2

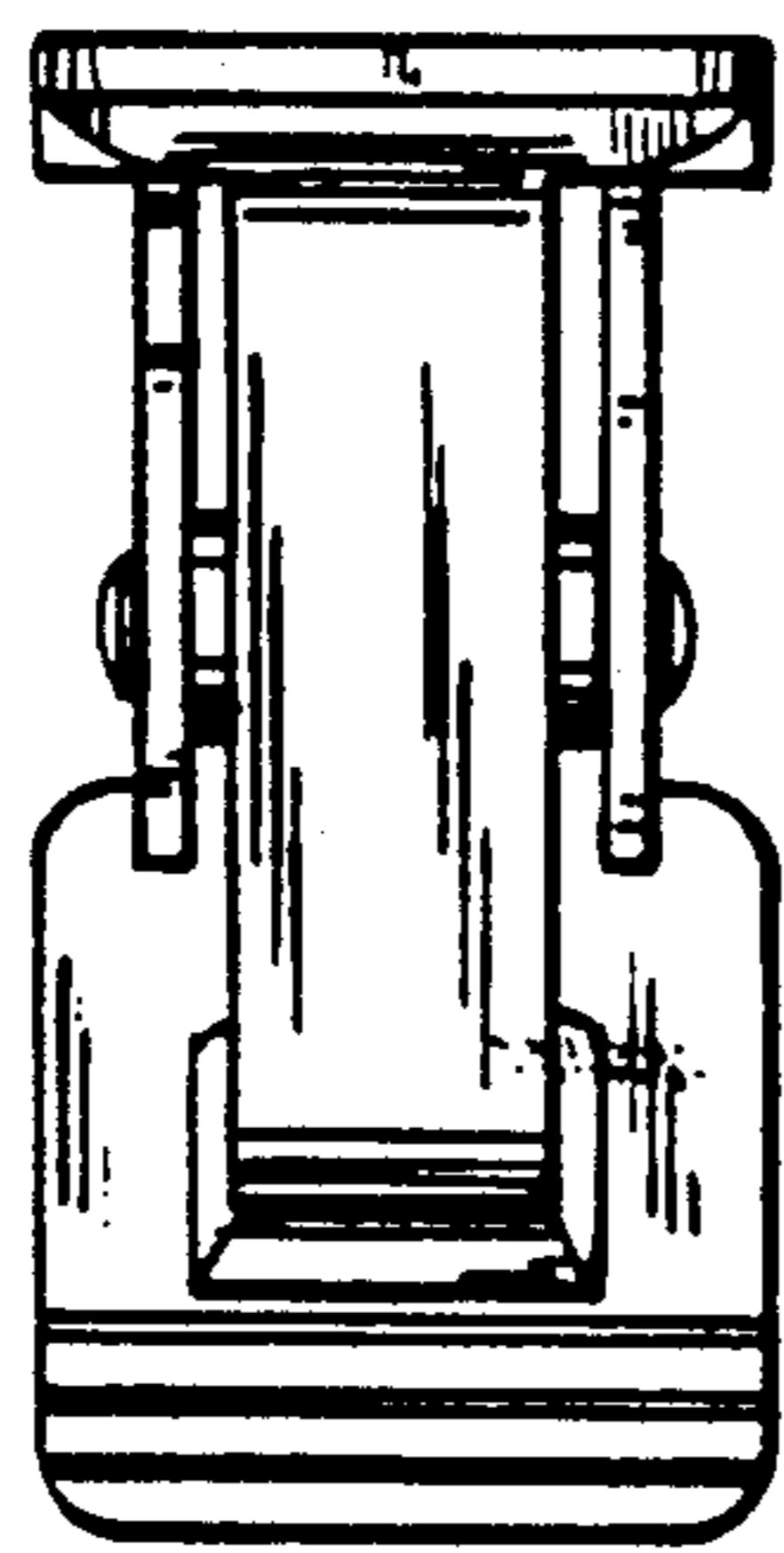


Fig-3

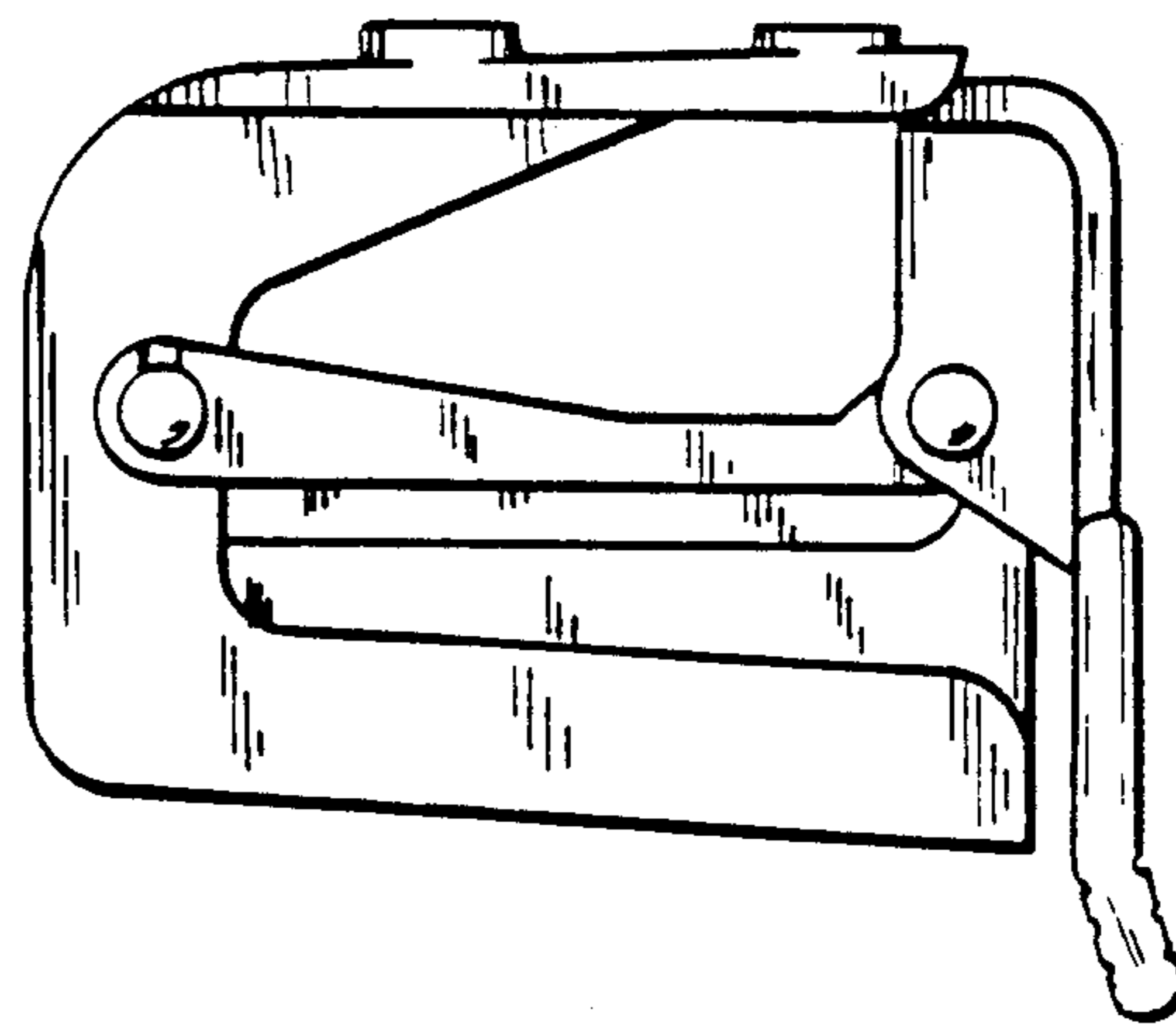
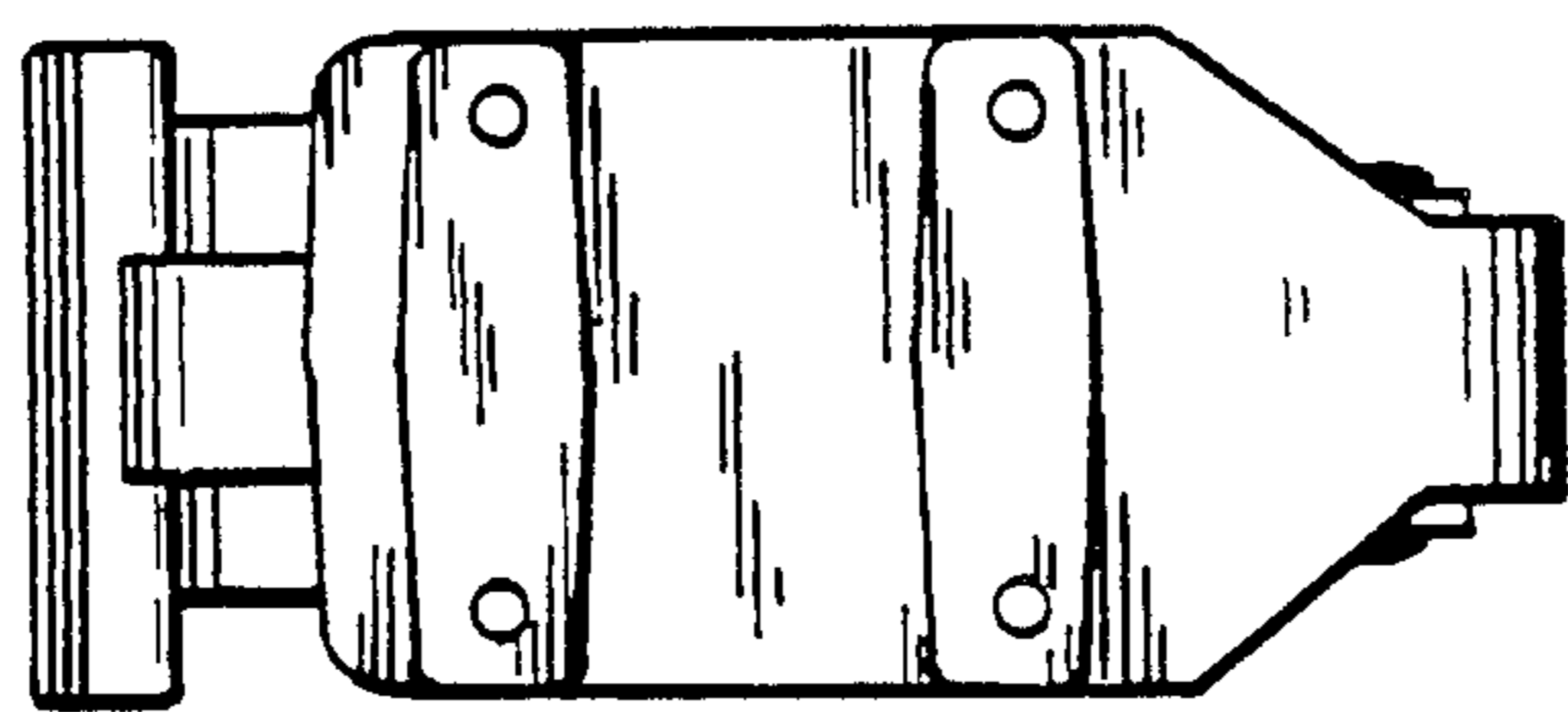
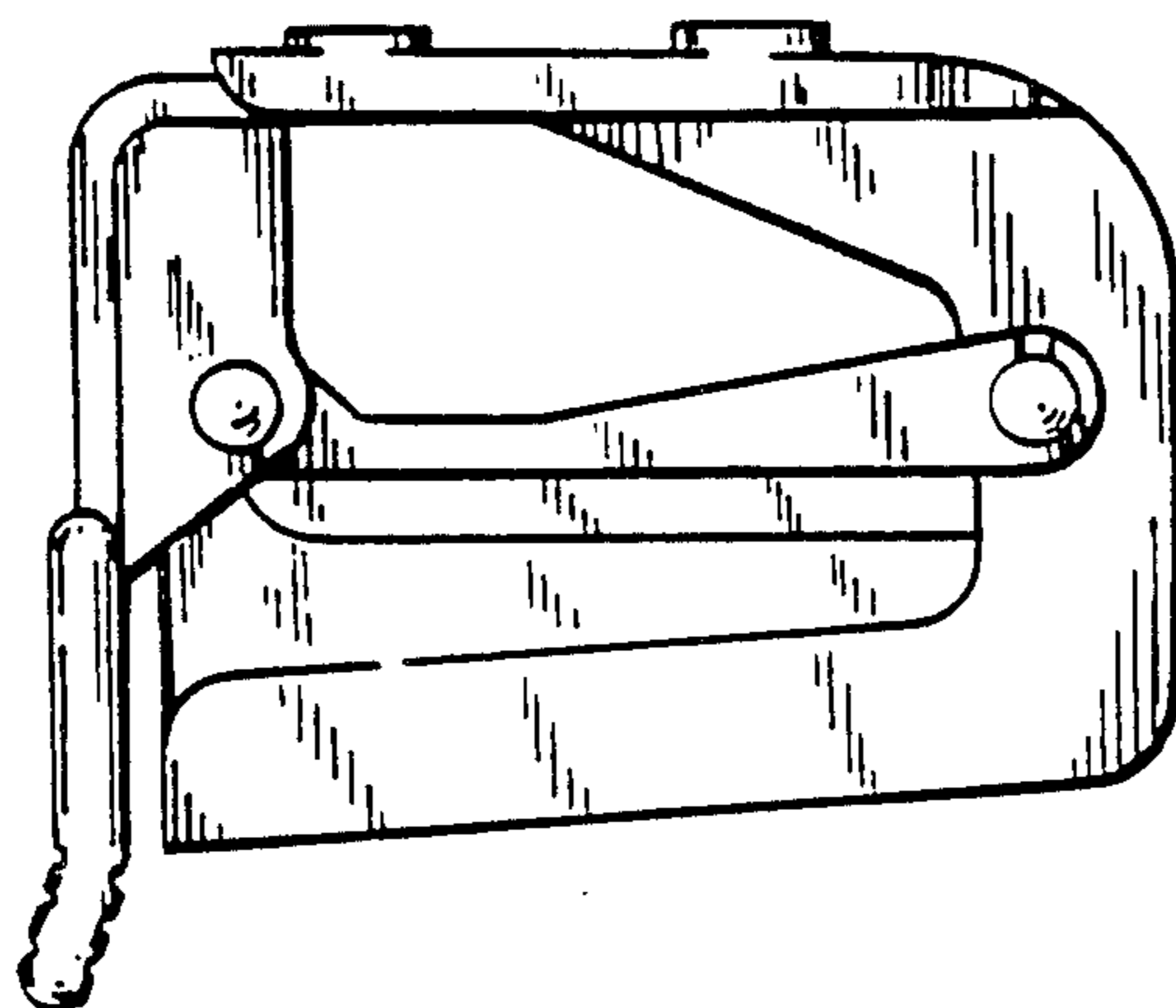


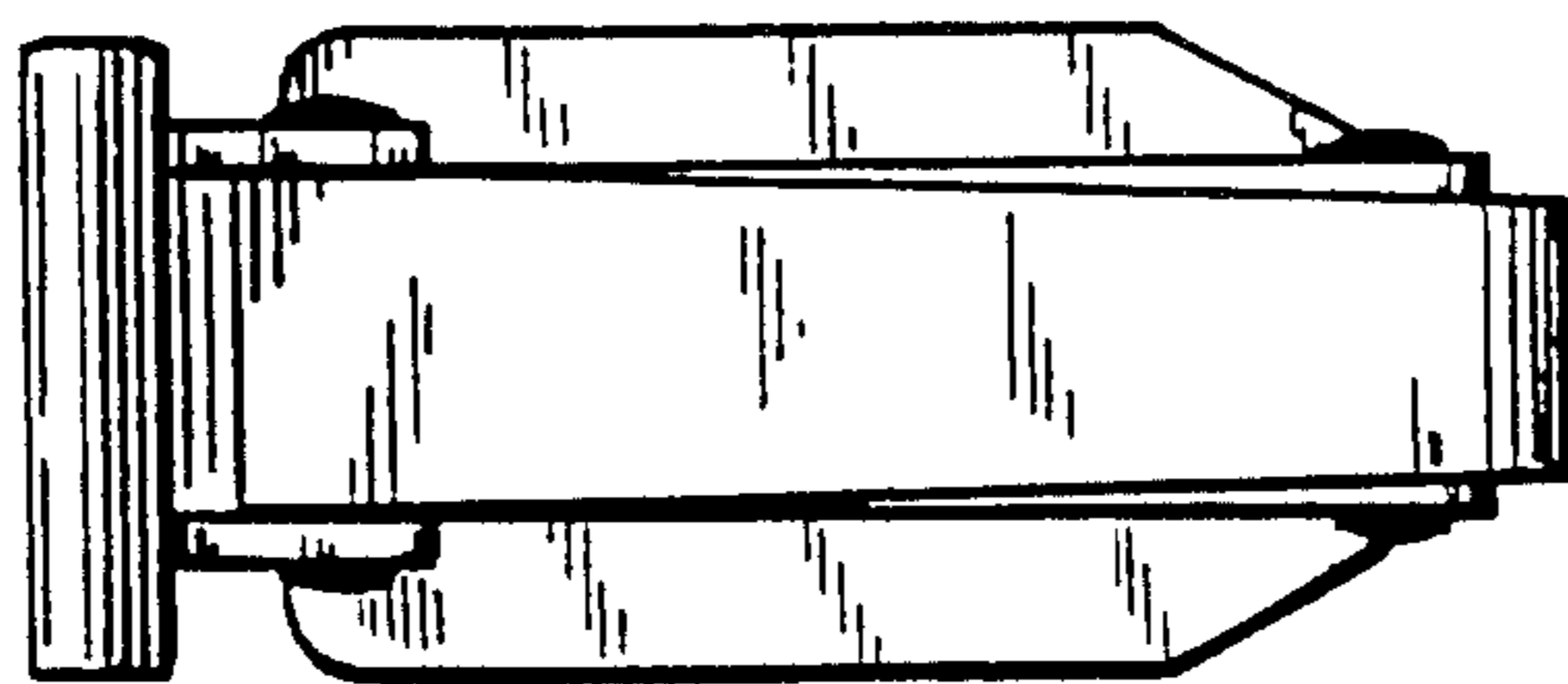
Fig-4



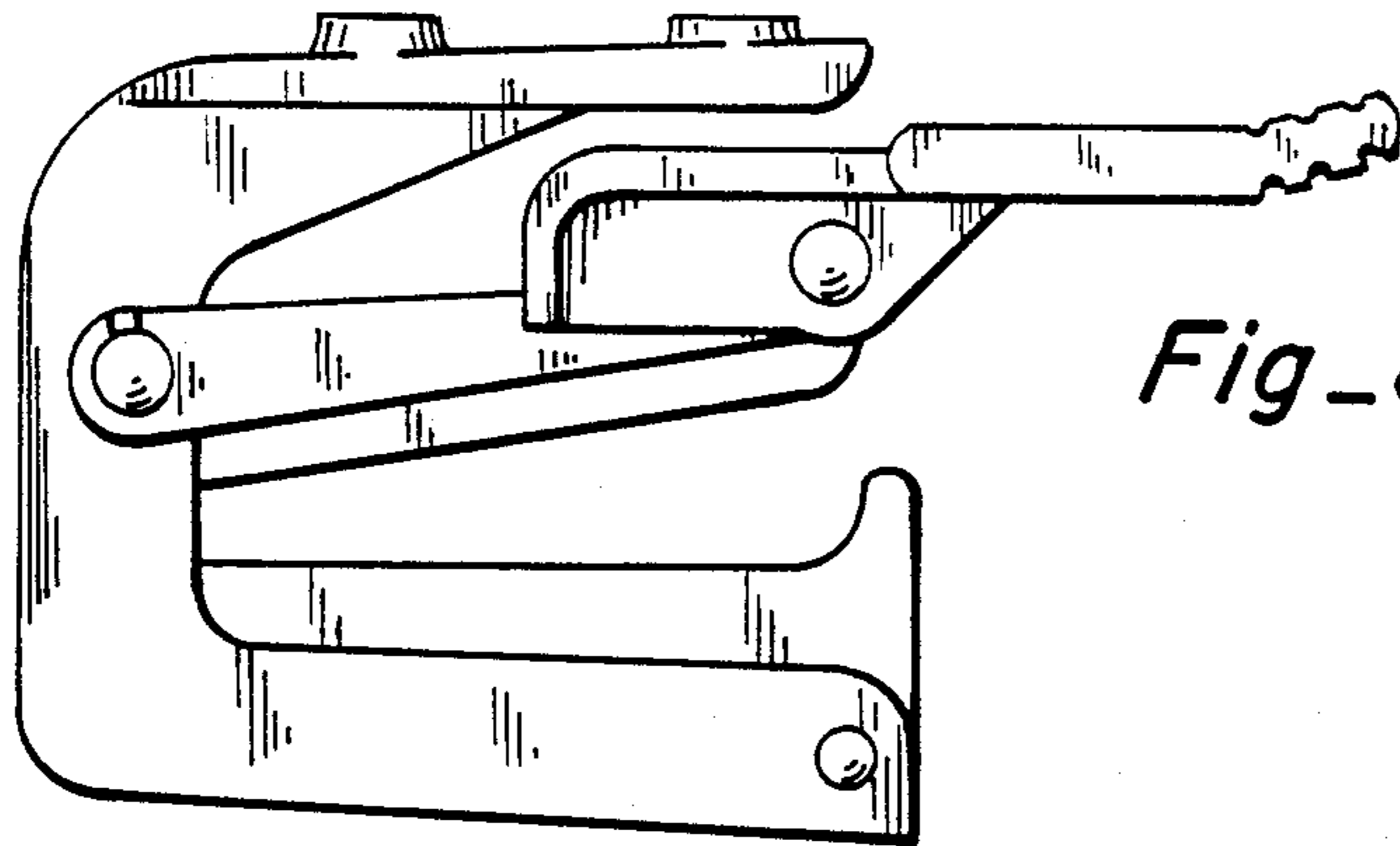
Fig_5



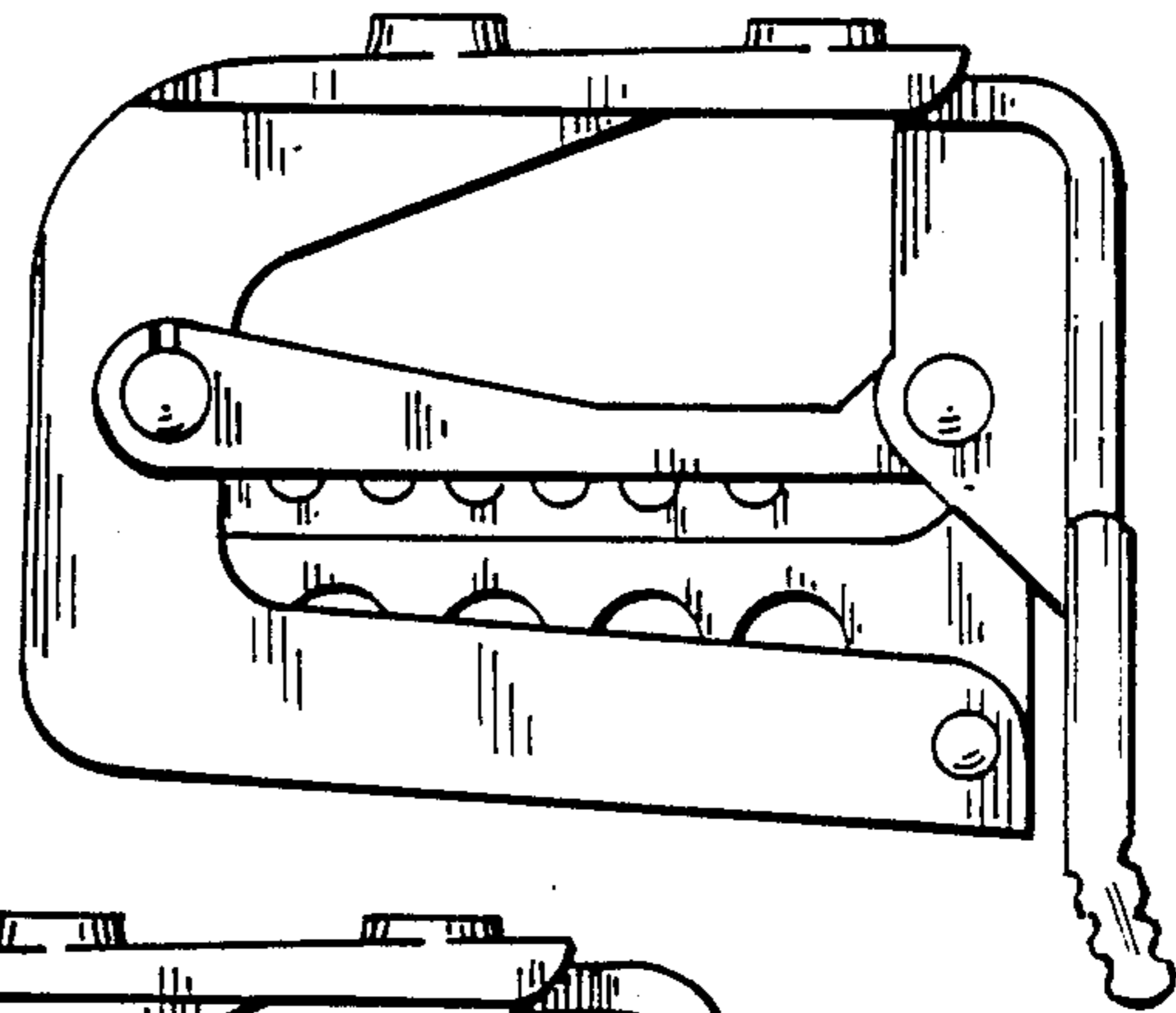
Fig_6



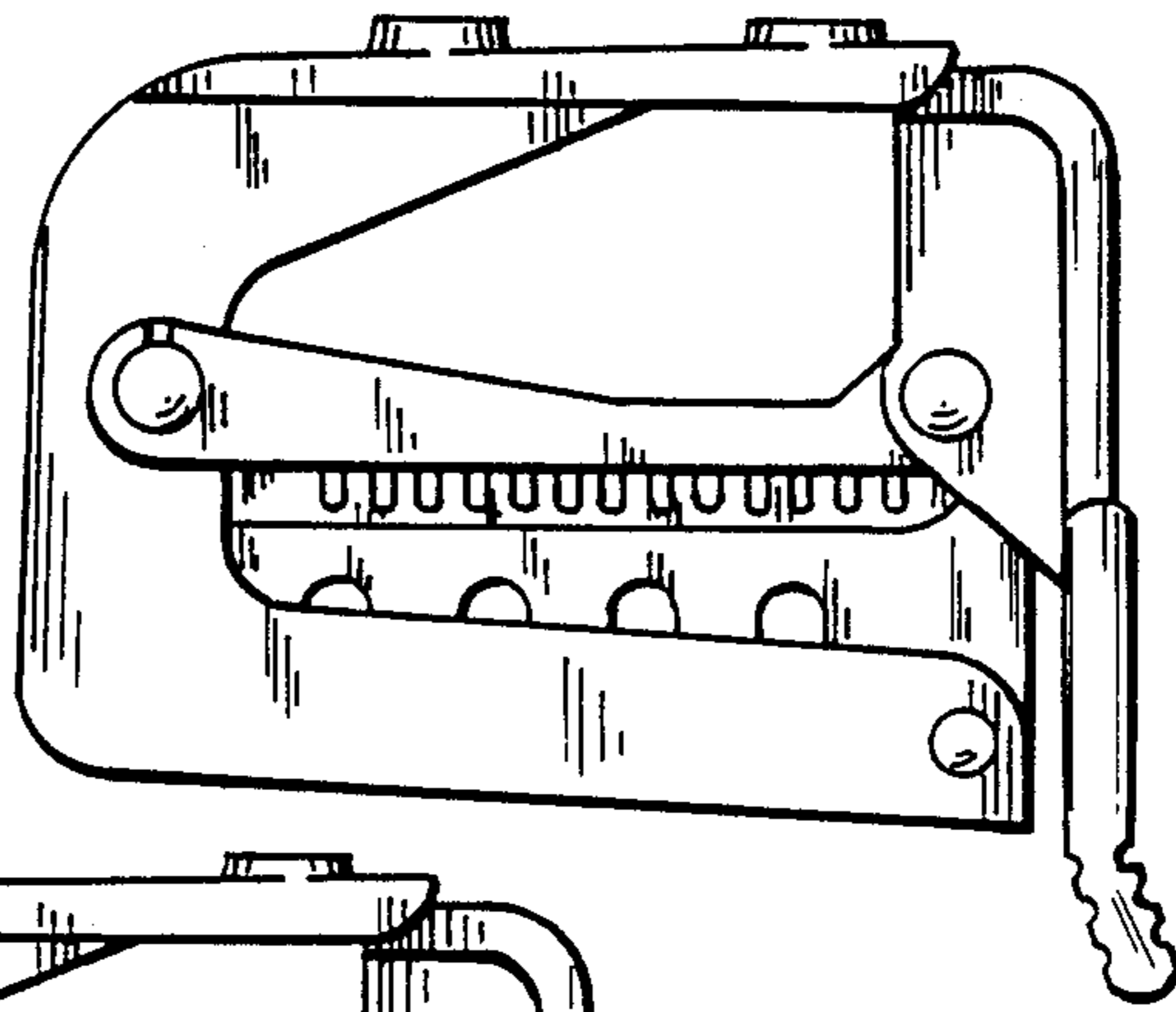
Fig_7



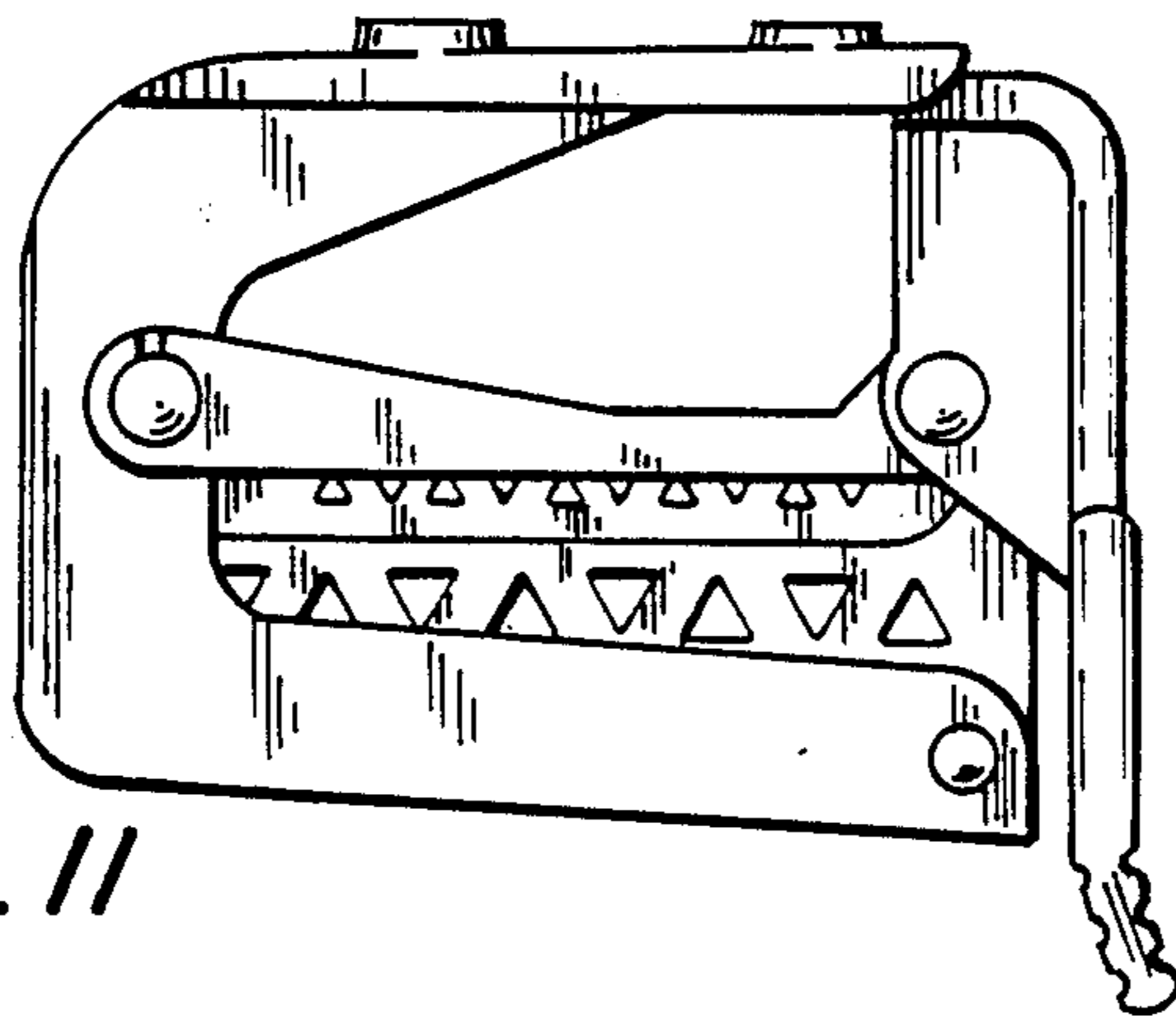
Fig_8



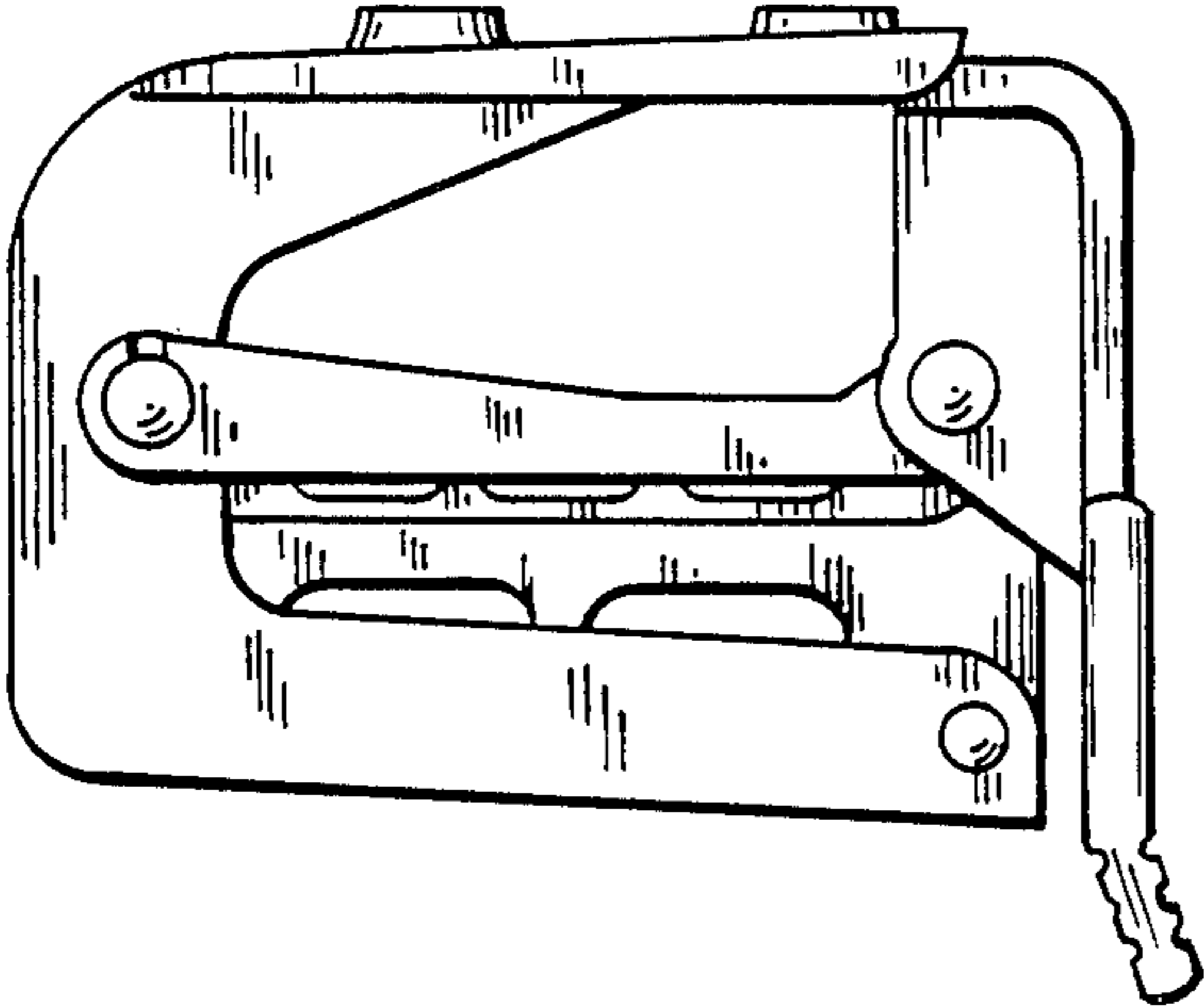
Fig_9



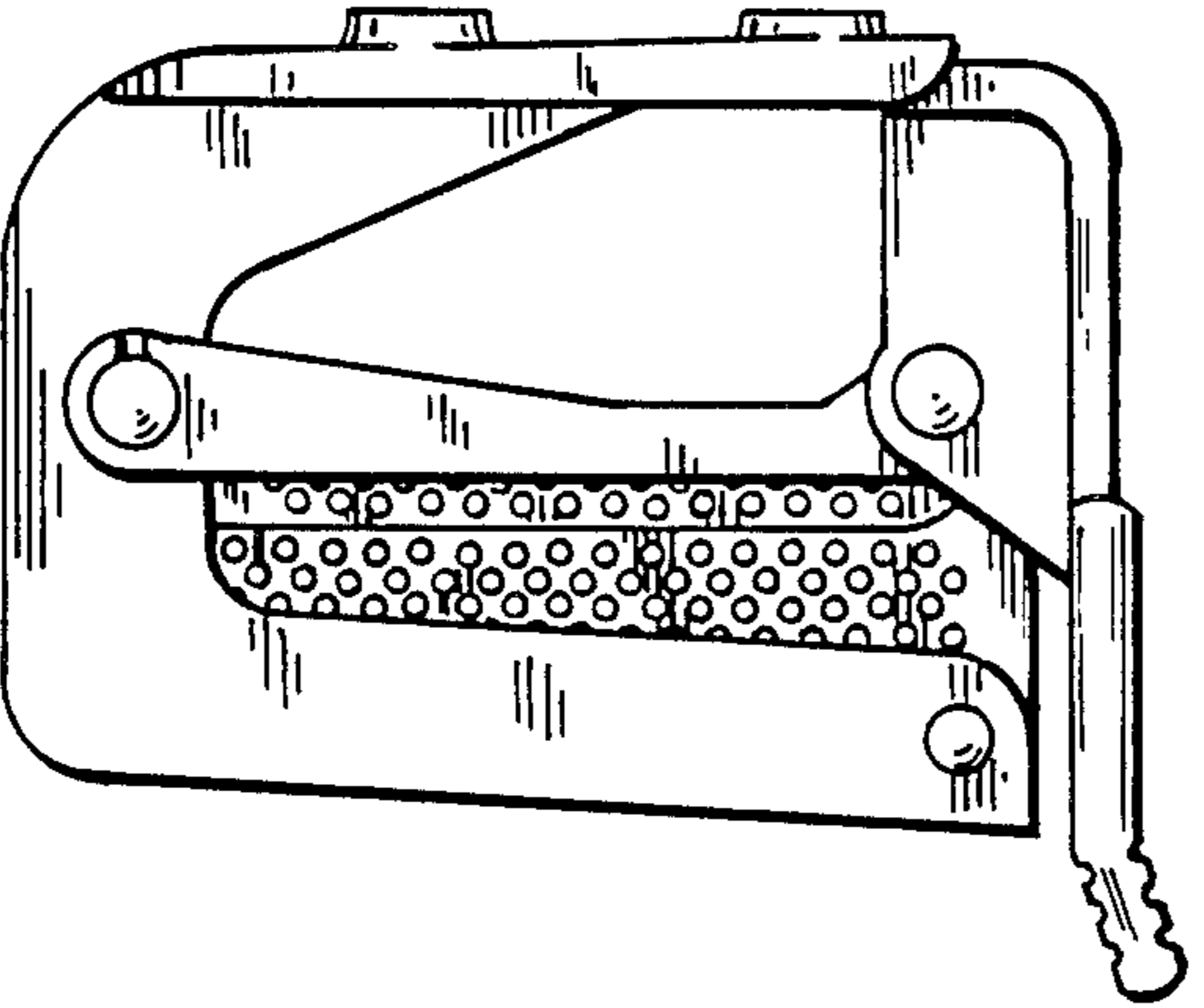
Fig_10



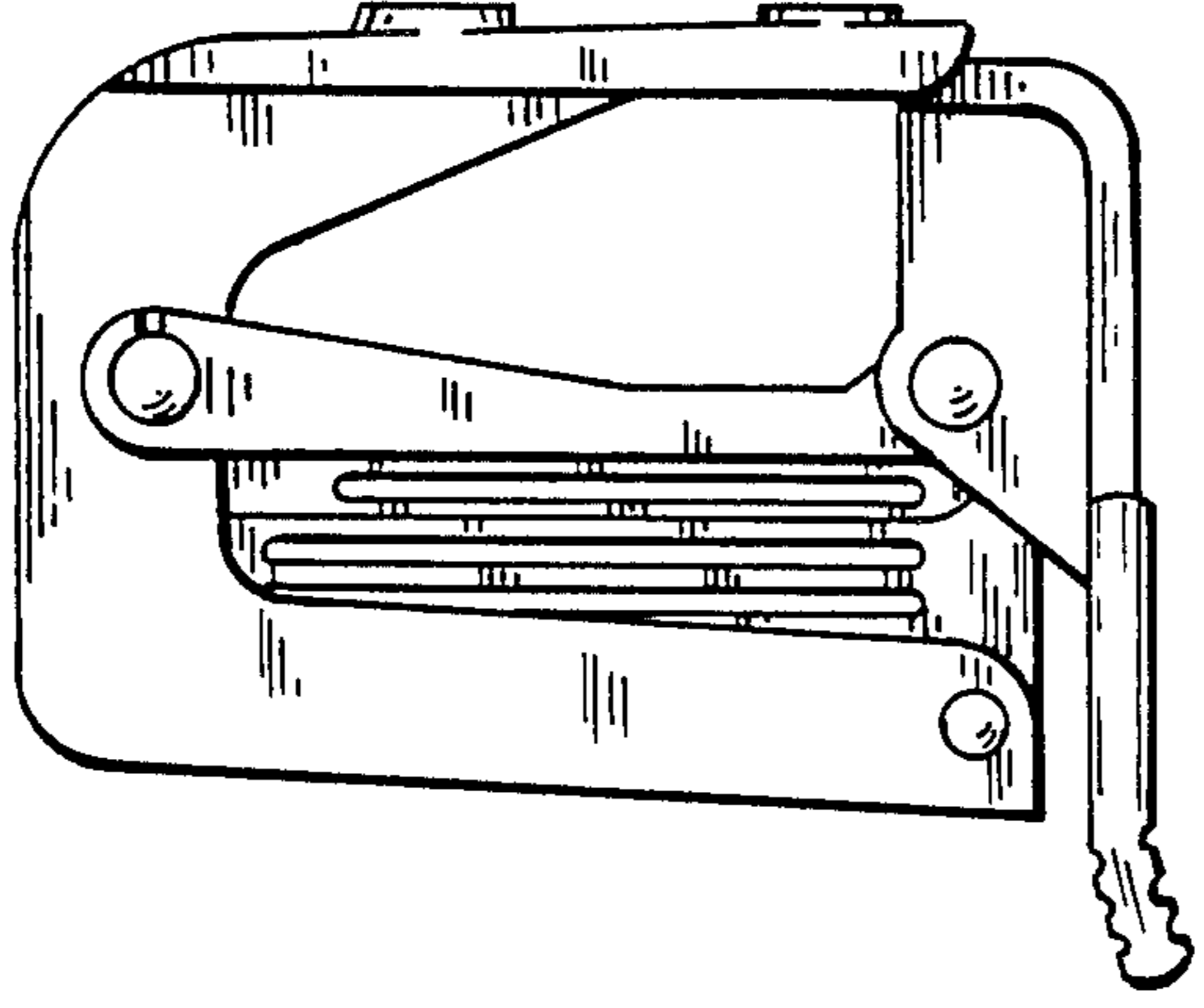
Fig_11



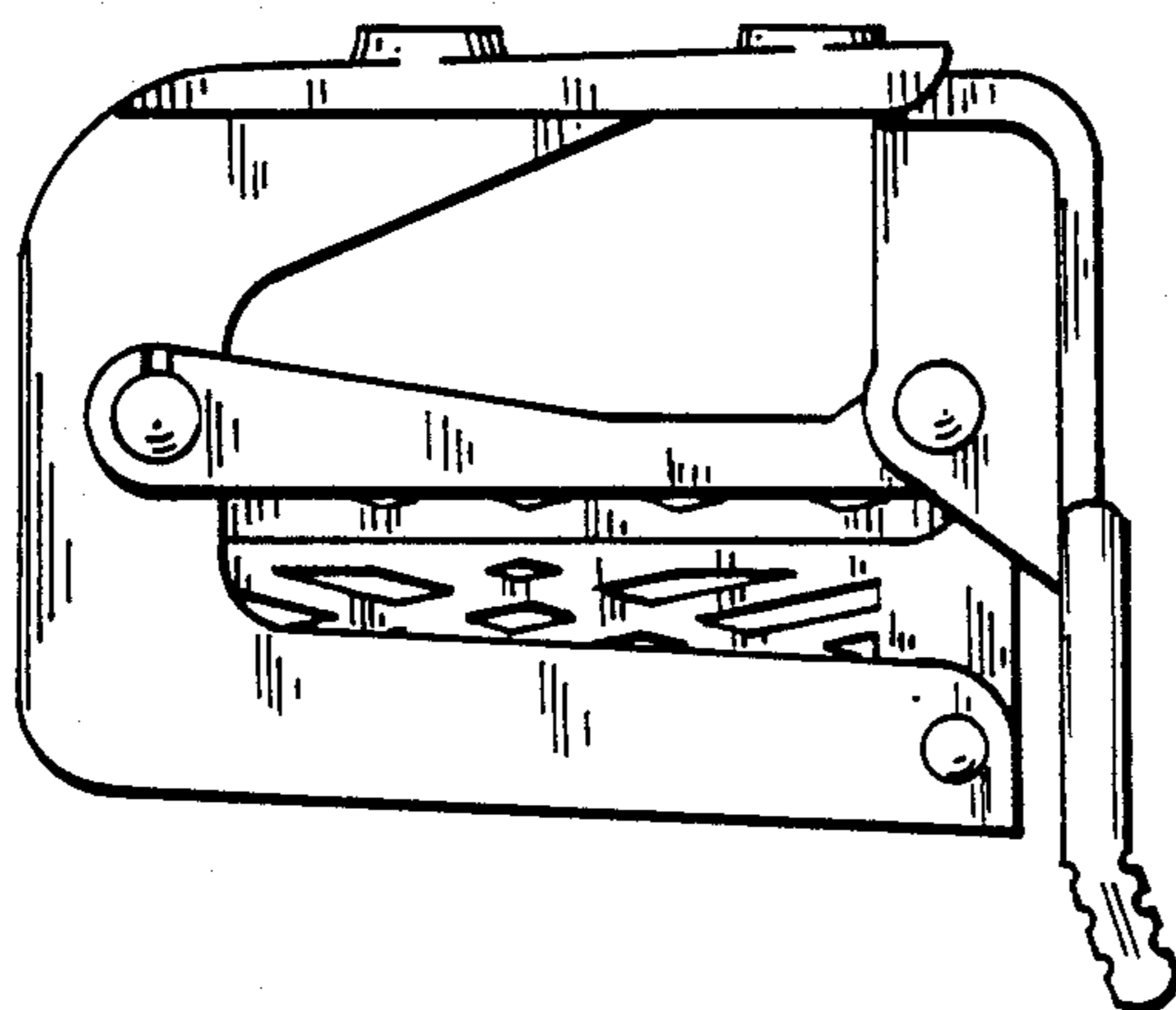
Fig_12



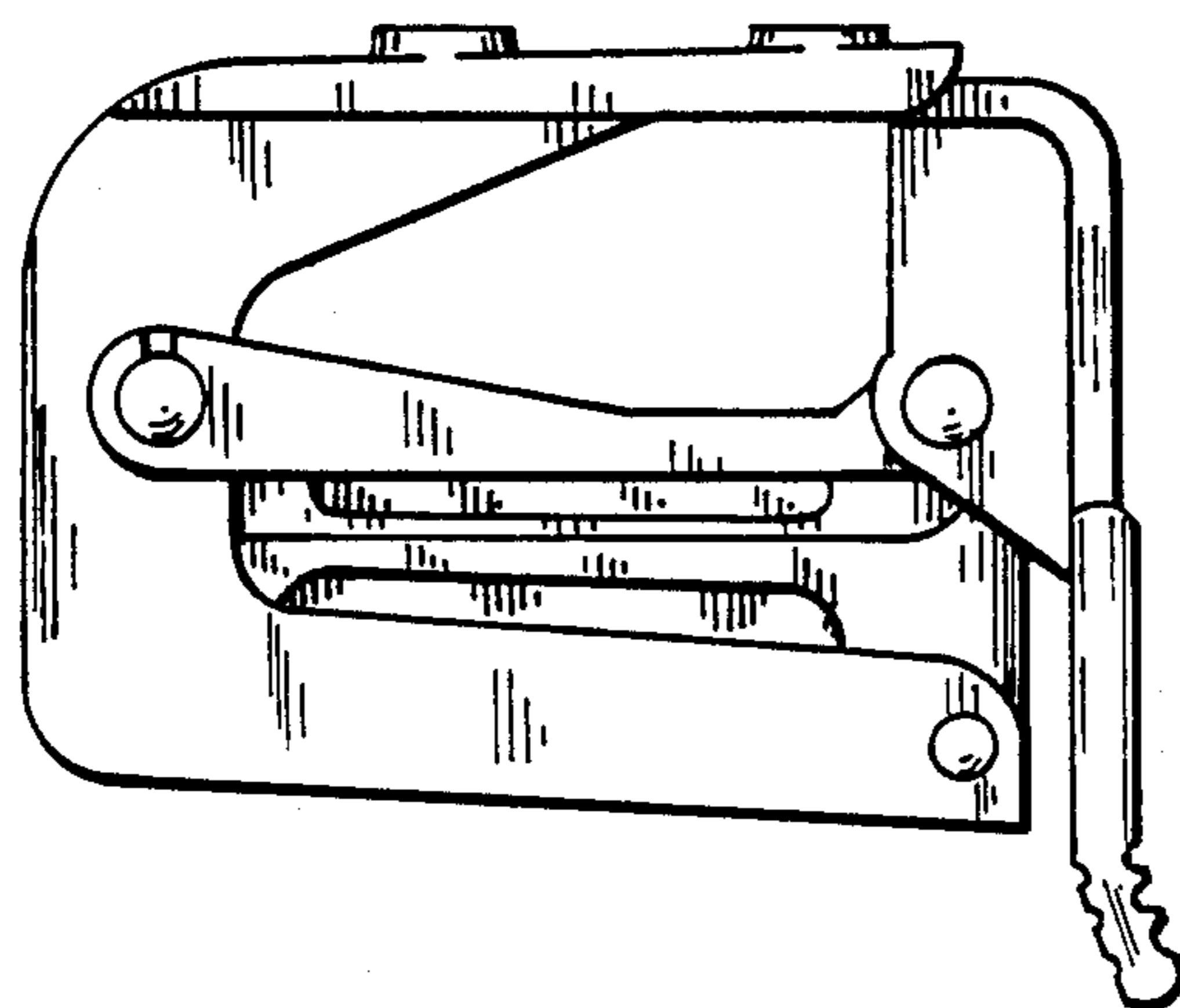
Fig_13



Fig_14



Fig_15



Fig_16