

[54] NOVELTY STRAW

[76] Inventor: Stephan Koziol, 6120 Michelstadt/Odenwald, Fed. Rep. of Germany

[**] Term: 14 Years

[21] Appl. No.: 642,064

[22] Filed: Aug. 17, 1984

[30] Foreign Application Priority Data

Feb. 24, 1984 [DE] Fed. Rep. of Germany MR 796

[52] U.S. Cl. D7/42

[58] Field of Search D7/42; 239/33; 215/1 A, 215/229

[56] References Cited

U.S. PATENT DOCUMENTS

- D. 225,486 12/1972 Bart D7/42
- 1,253,579 1/1918 Deanes 239/33 X
- 1,916,646 7/1933 Tycko 239/33

4,134,494 1/1979 Wong D7/42 X

FOREIGN PATENT DOCUMENTS

634397 2/1962 Italy 215/1 A

Primary Examiner—Bernard Ansher
Assistant Examiner—Terry Pfeffer
Attorney, Agent, or Firm—Michael J. Striker

[57] CLAIM

The ornamental design for a novelty straw, substantially as shown and described.

DESCRIPTION

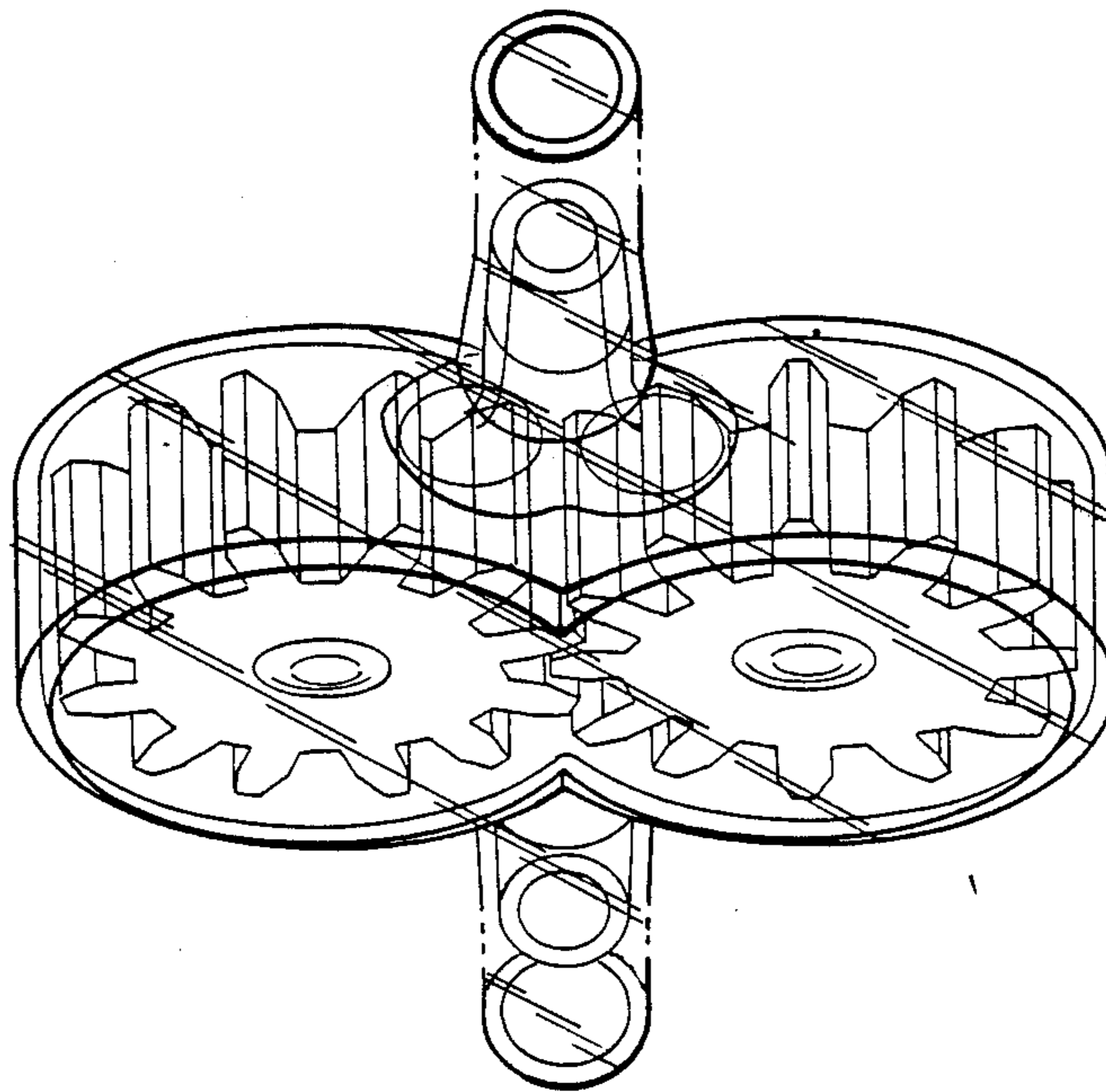
FIG. 1 is a top front perspective view of a novelty straw showing my new design; the opposite side being a mirror image;

FIG. 2 is a front, right side perspective view thereof, the opposite side being a mirror image;

FIG. 3 is a front elevational view thereof; and

FIG. 4 is a bottom plan view thereof.

The straw portion is shown as an indeterminate length.



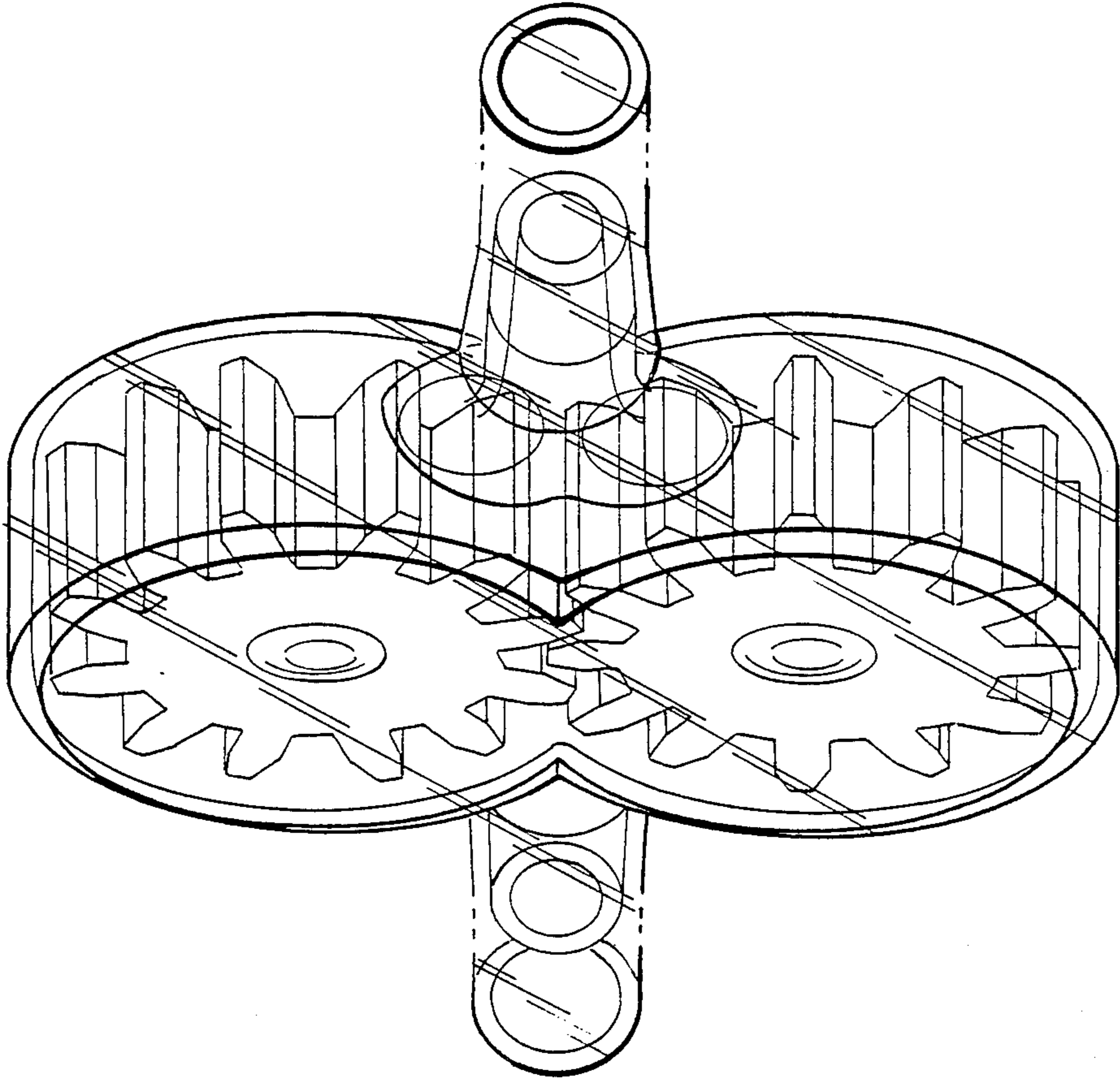


FIG. 1

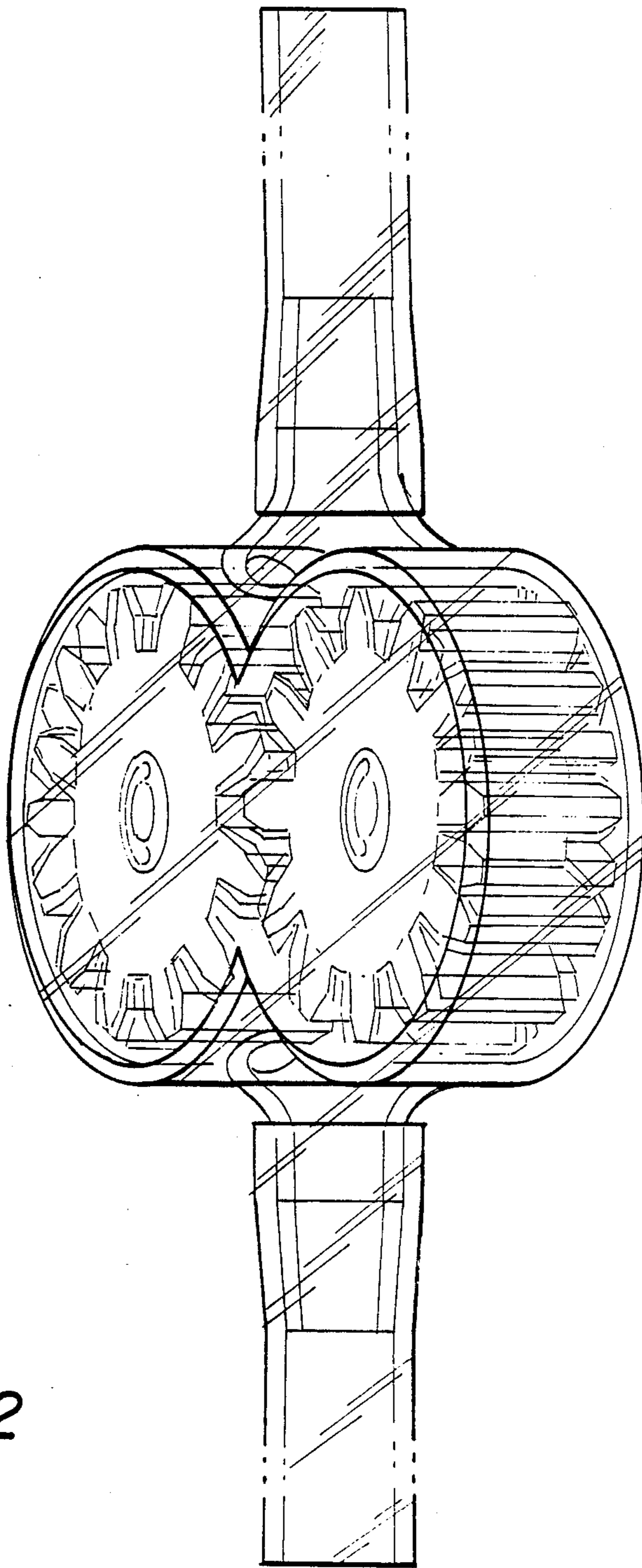


FIG. 2

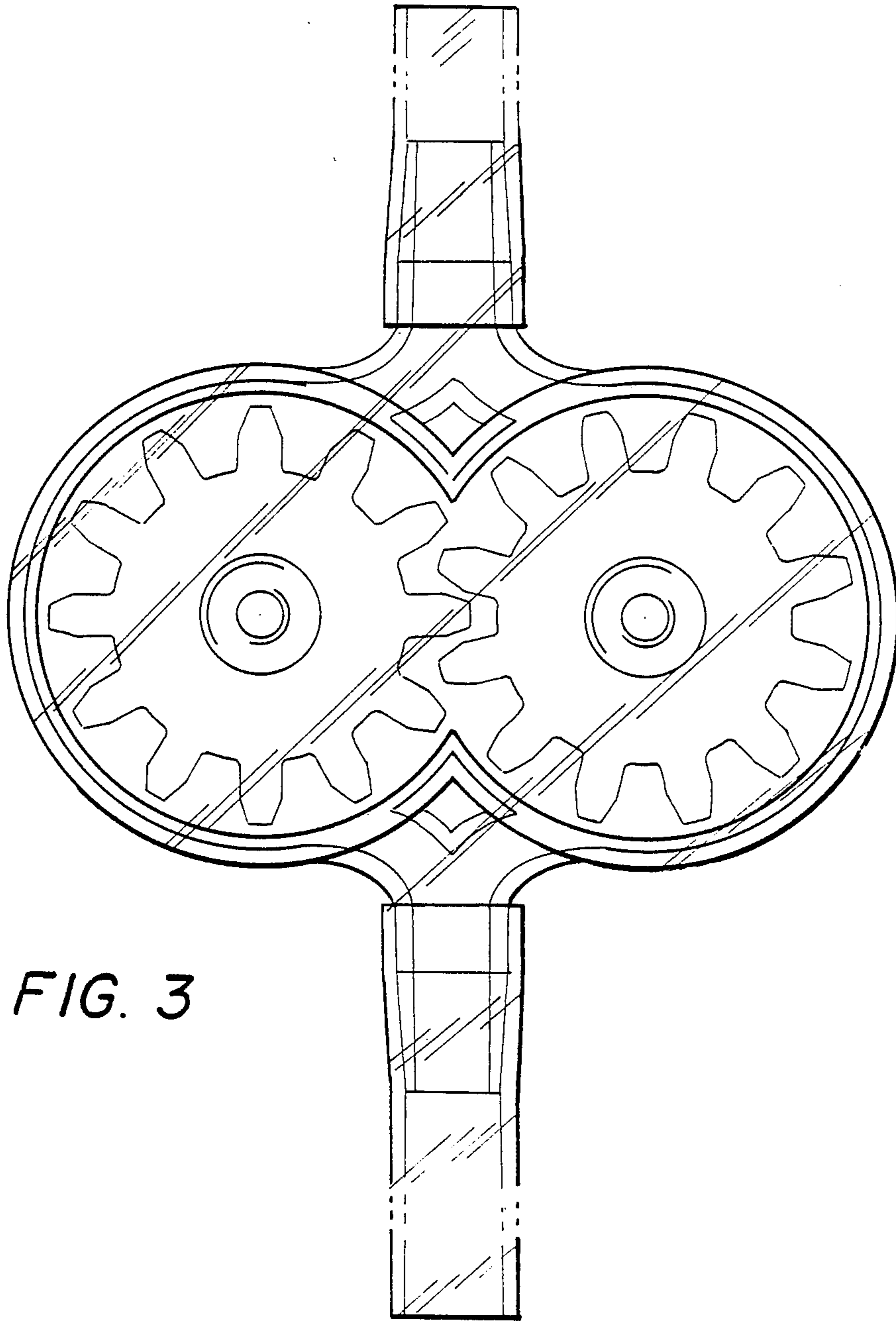


FIG. 3

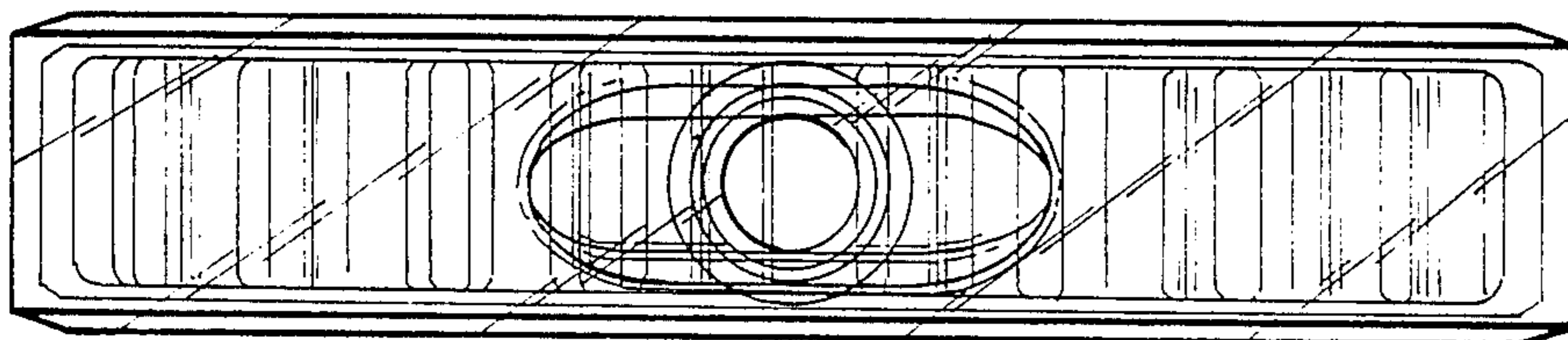


FIG. 4