

United States Patent [19]

Handler et al.

[11] Patent Number: Des. 294,668

[45] Date of Patent: ** Mar. 15, 1988

[54] COMPACT TOOL HOLDER

[75] Inventors: Milton E. Handler, Northbrook;
Richard Sylvan, Glenview; Michael
Peterson, Evanston, all of Ill.

[73] Assignee: Hirsh Company, Skokie, Ill.

[**] Term: 14 Years

[21] Appl. No.: 841,701

[22] Filed: Mar. 4, 1986

[52] U.S. Cl. D6/570; D6/569

[58] Field of Search D6/512, 553, 567, 569,
D6/573, 574, 570; D8/373; 211/13, 60.1, 69.1,
70.1, 70.6, 86, 87, 88; 248/300

[56] References Cited

U.S. PATENT DOCUMENTS

D. 155,024	8/1949	Mozneck	D6/571
D. 251,644	4/1979	Raun	D6/571
D. 251,819	5/1979	Nuttall et al.	D6/569
D. 259,311	5/1981	Nordlund	D6/569

2,974,804	3/1961	Maro	211/70.6
3,095,092	6/1963	Magarian	211/70.6
3,269,550	8/1966	Marcus	211/70.6

FOREIGN PATENT DOCUMENTS

1543383	4/1979	United Kingdom	211/70.6
---------	--------	----------------	-------	----------

Primary Examiner—B. J. Bullock
Attorney, Agent, or Firm—Dressler, Goldsmith, Shore
Sutker & Milnamow, Ltd.

[57] CLAIM

The ornamental design for a compact tool holder, substantially as shown and described.

DESCRIPTION

FIG. 1 is a perspective view of a compact tool holder showing our new design;
FIG. 2 is a top plan view thereof;
FIG. 3 is a front elevational view thereof, the rear being unornamented;
FIG. 4 is a left side elevational view thereof, the right side elevational view thereof being a mirror image; and
FIG. 5 is a bottom plan view thereof.

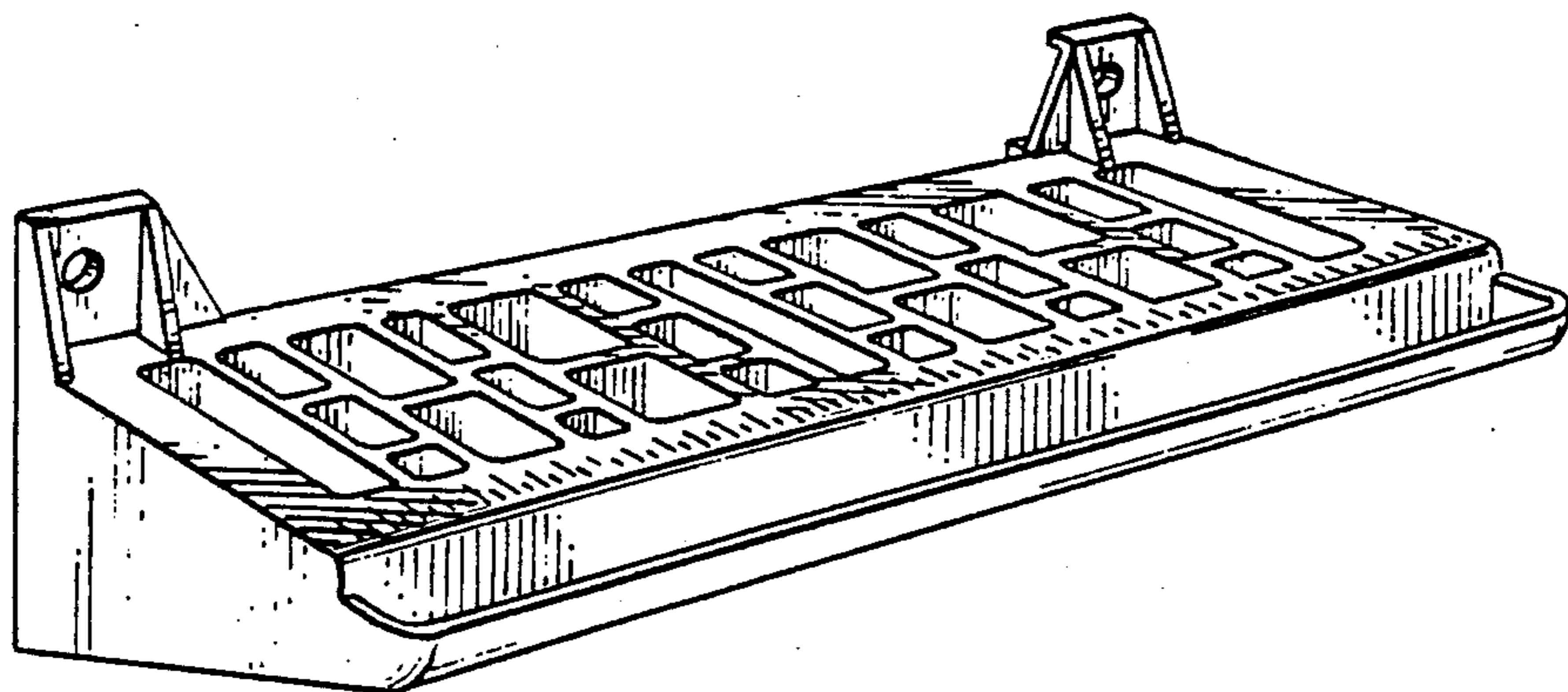


FIG. 1

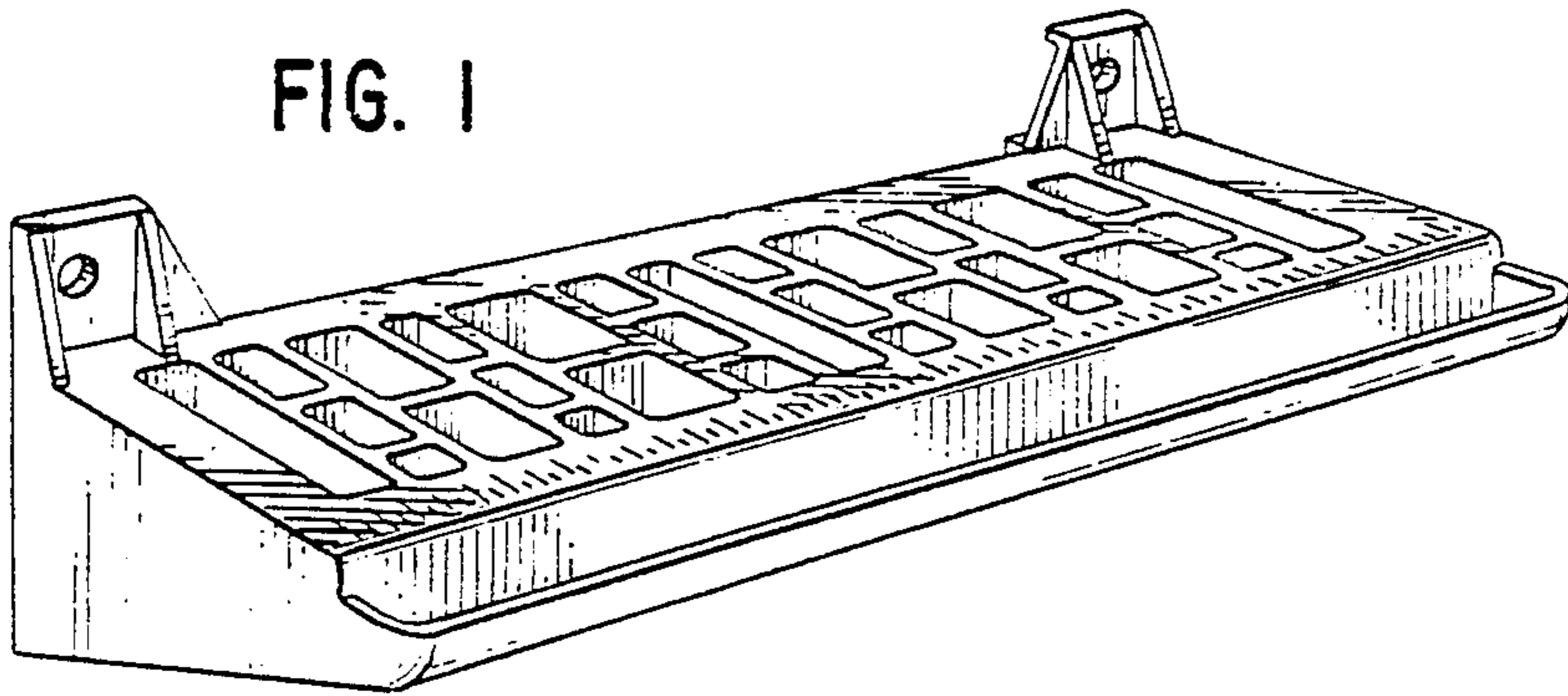


FIG. 2

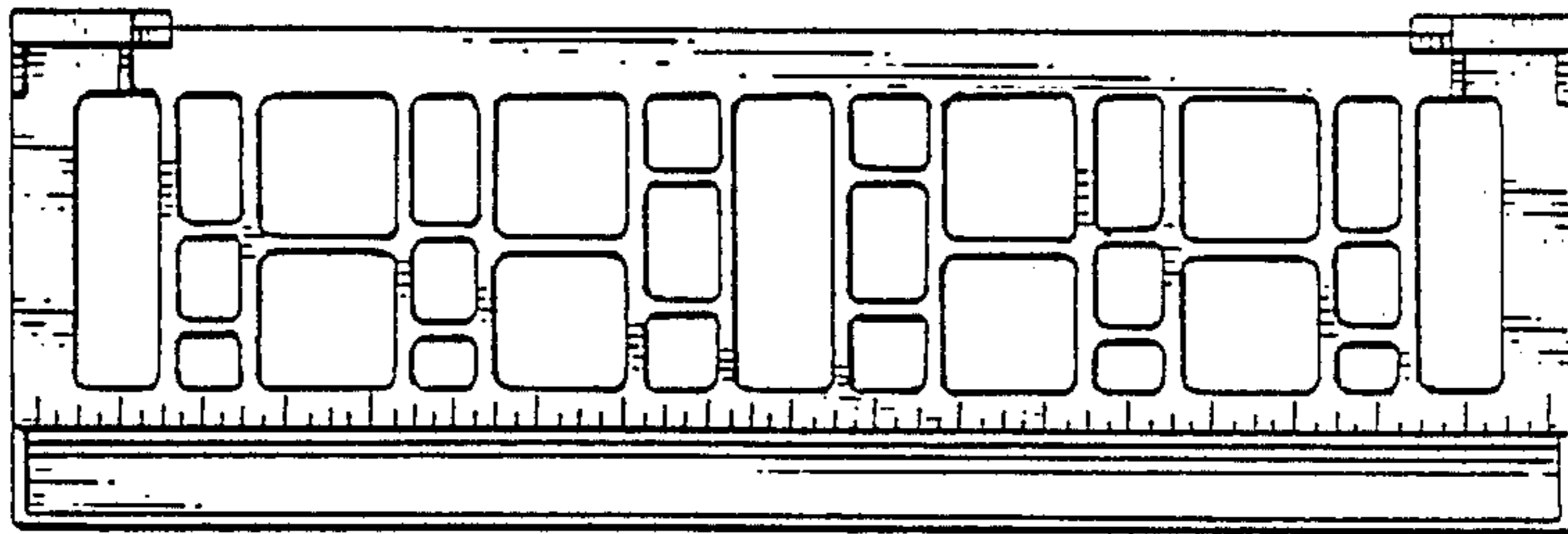


FIG. 3

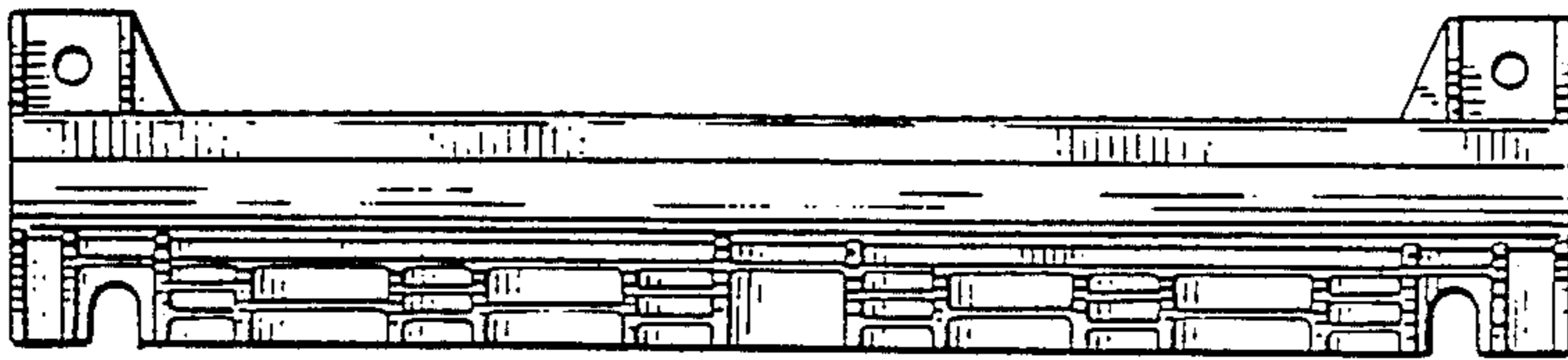


FIG. 4

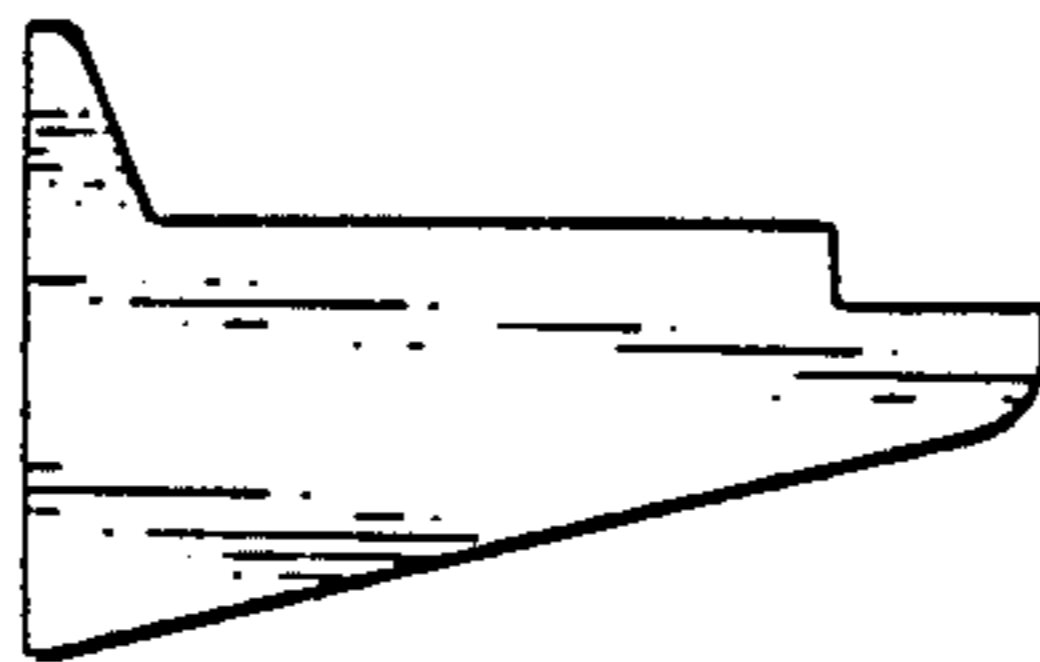


FIG. 5

