

# United States Patent [19]

Favaretto et al.

[11] Patent Number: Des. 294,666

[45] Date of Patent: \*\* Mar. 15, 1988

[54] DESK

[75] Inventors: Paolo Favaretto, Padua, Italy; James E. Hayward, Port Perry, Canada

[73] Assignee: Innovative Metal, Inc., Rexdale, Canada

[\*\*] Term: 14 Years

[21] Appl. No.: 890,233

[22] Filed: Jul. 29, 1986

### Related U.S. Application Data

[62] Division of Ser. No. 594,178, Mar. 28, 1984.

### [30] Foreign Application Priority Data

Sep. 30, 1983 [CA] Canada ..... 30-09-83-1  
[52] U.S. Cl. .... D6/487; D6/426;  
D6/427; D6/483

[58] Field of Search ..... D6/422-428,  
D6/479, 480, 484, 486, 487, 488, 483

### [56] References Cited

#### U.S. PATENT DOCUMENTS

D. 229,529 12/1973 Gallagher et al. .... D6/427 X  
D. 235,834 7/1975 Payne et al. .... D6/487 X  
D. 236,402 8/1975 Lubke ..... D6/487  
D. 278,289 4/1985 Sottsass et al. .... D6/487

*Primary Examiner*—Bruce W. Dunkins

*Attorney, Agent, or Firm*—Rogers, Bereskin & Parr

### [57] CLAIM

The ornamental design for a desk, as shown.

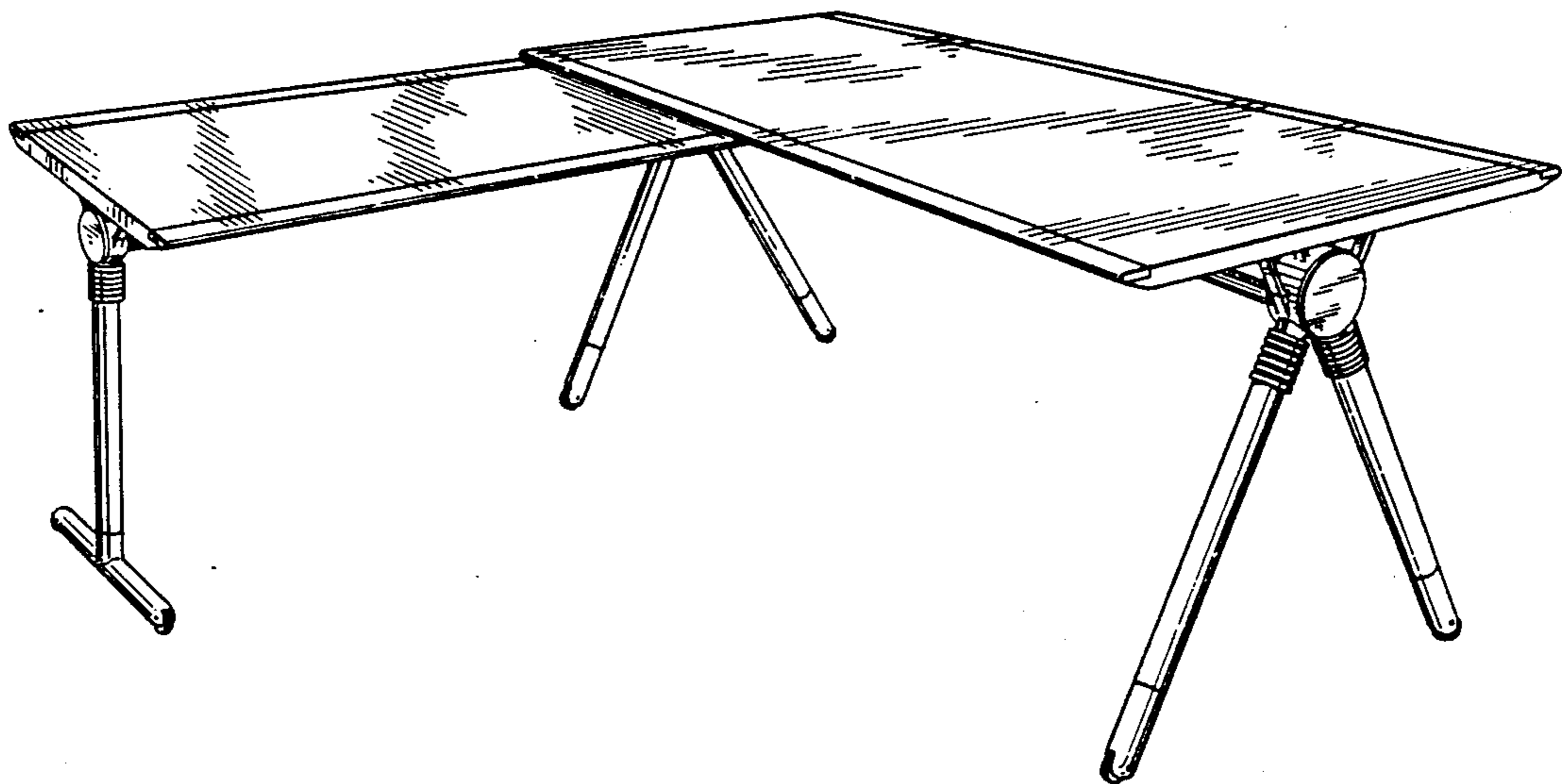
### DESCRIPTION

FIG. 1 is a perspective view of a desk showing our design;

FIG. 2 is a bottom perspective view;

FIG. 3 is a front elevational view; and,

FIG. 4 is an end elevational view thereof.



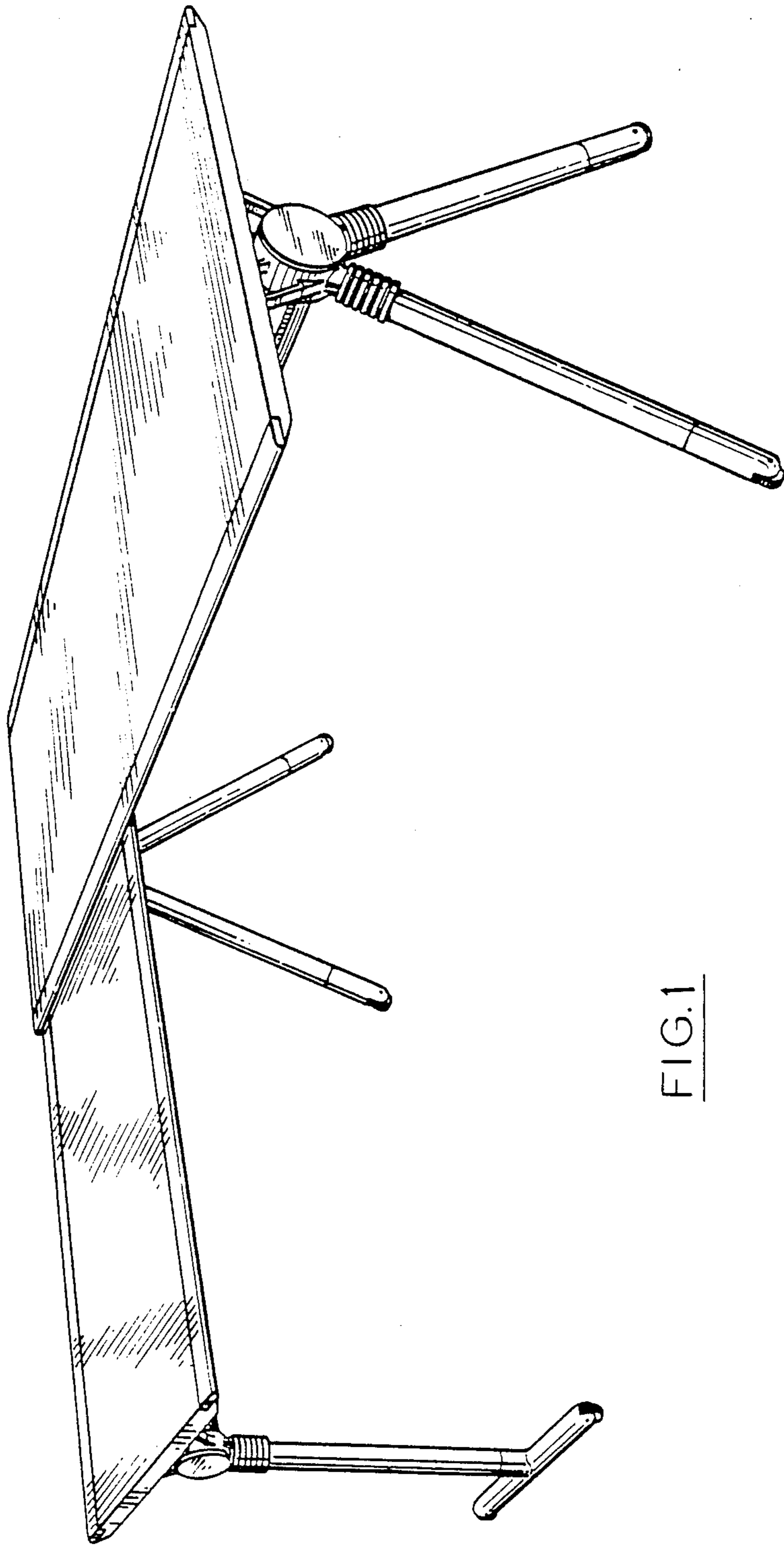


FIG.1

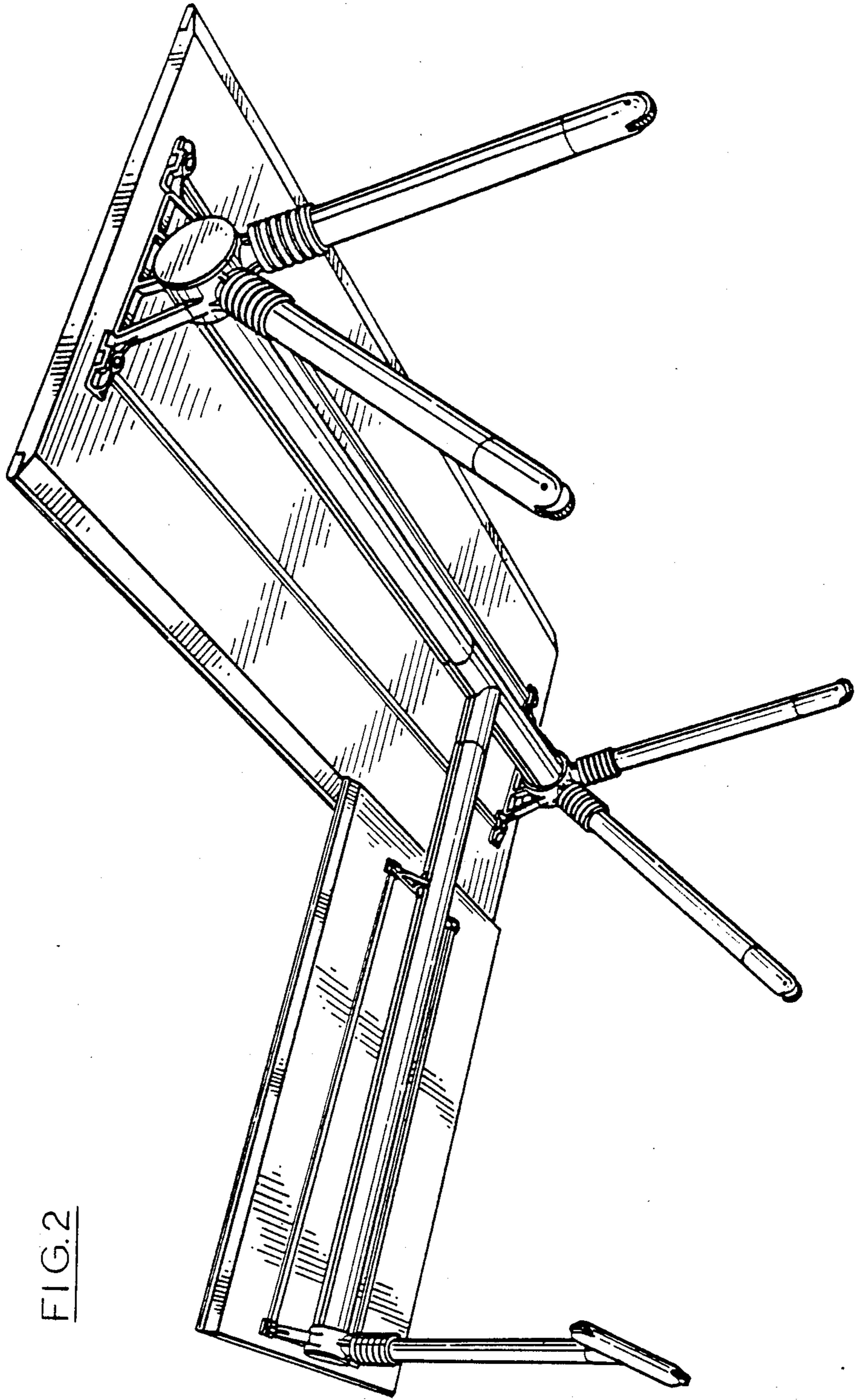


FIG.2

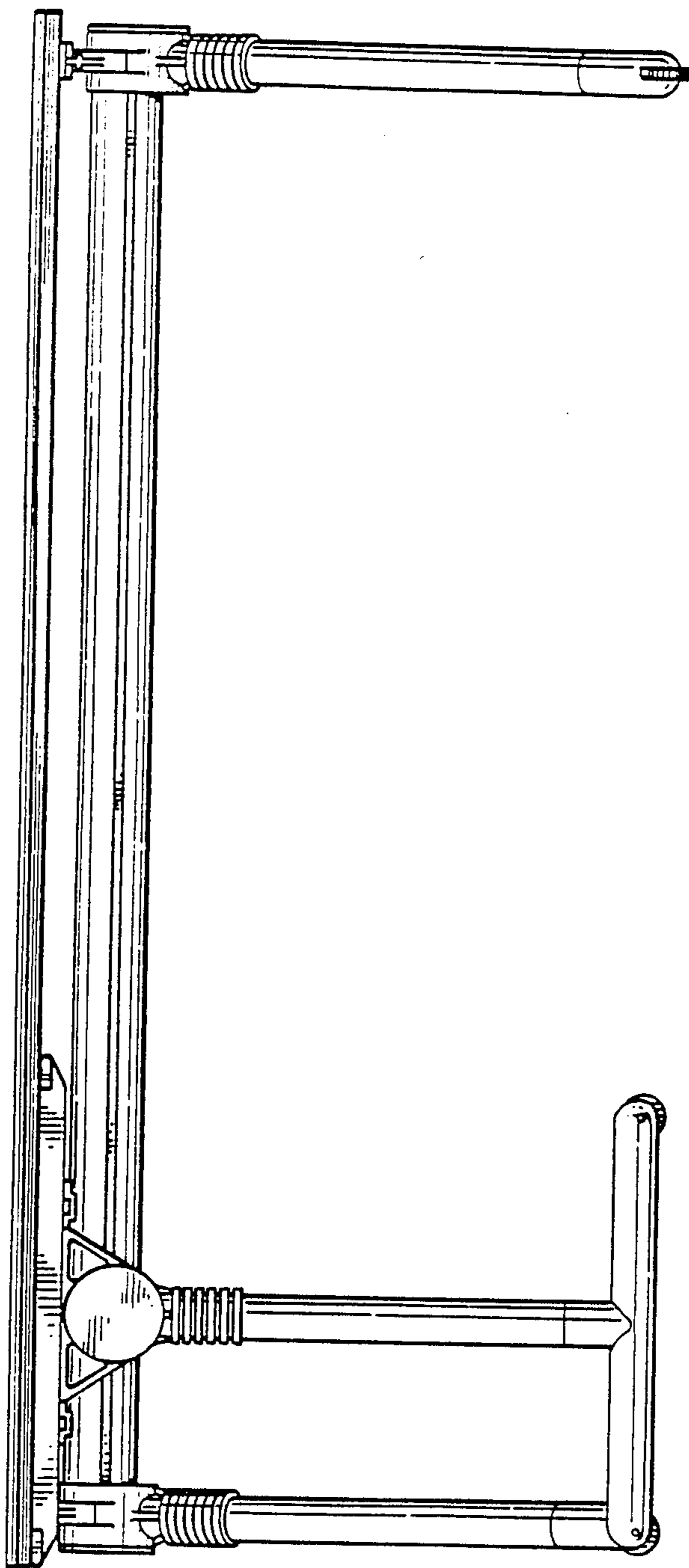


FIG. 3

FIG. 4

