

[54] SHOWER SEAT

3,111,344 11/1963 Hoven et al. .... D6/380 X  
4,418,958 12/1983 Watkins ..... D6/380 X

[76] Inventor: Charles Clark, 341 Cottonwood,  
Longmont, Colo. 80501

Primary Examiner—Bruce W. Dunkins  
Attorney, Agent, or Firm—Donald W. Margolis

[\*\*] Term: 14 Years

[57] CLAIM

[21] Appl. No.: 767,377

The ornamental design for a shower seat, substantially  
as shown and described.

[22] Filed: Mar. 15, 1988

[52] U.S. Cl. .... D6/380; D6/502

[58] Field of Search ..... D6/334, 367, 368, 379,  
D6/380, 500, 501, 502

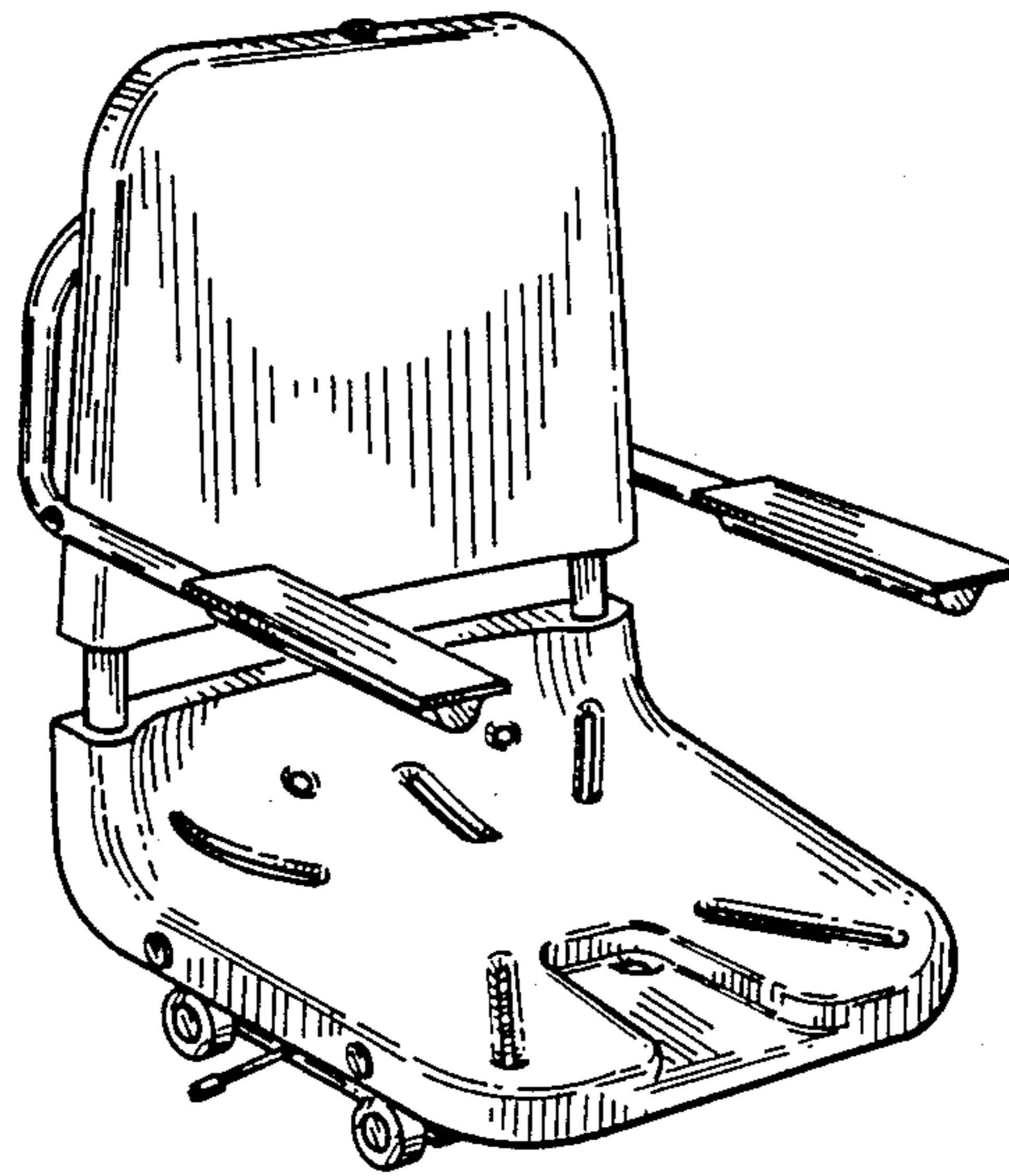
DESCRIPTION

[56] References Cited

U.S. PATENT DOCUMENTS

- D. 242,508 11/1976 Skyer et al. .... D6/380 X
- D. 271,066 10/1983 Rowland ..... D6/379
- D. 279,247 6/1985 Murry ..... D6/380 X
- D. 289,120 4/1987 Chadwick et al. .... D6/380 X
- 2,237,076 4/1941 Kenney et al. .... D6/379 X

FIG. 1 is a front perspective view of a shower seat  
showing my new design;  
FIG. 2 is a front elevational view on a reduced scale;  
FIG. 3 is a top plan view on a reduced scale;  
FIG. 4 is a bottom plan view on a reduced scale;  
FIG. 5 is a left side elevational view on a reduced scale;  
FIG. 6 is a right side elevational view on a reduced  
scale; and  
FIG. 7 is a rear elevational view thereof on a reduced  
scale.



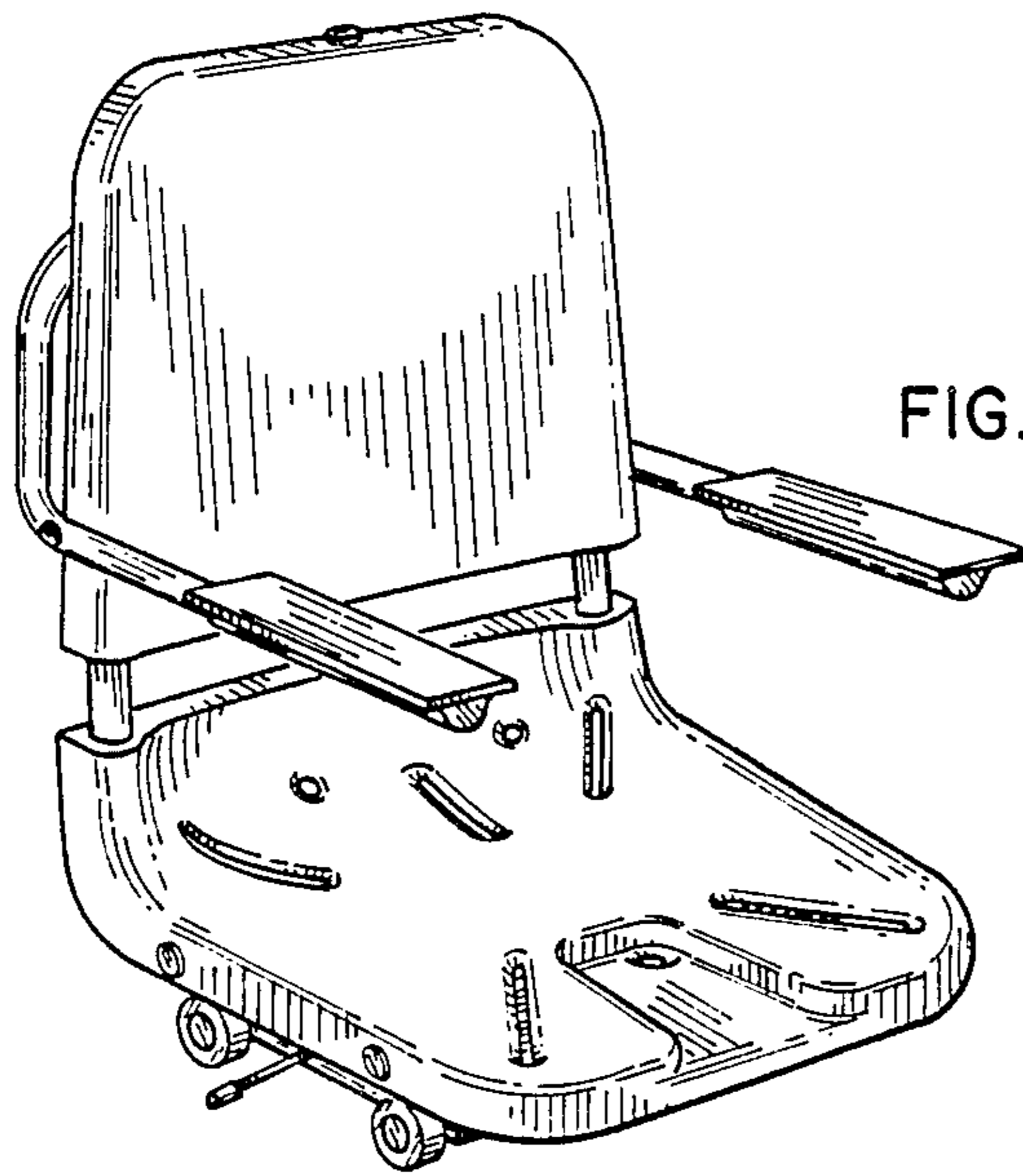


FIG. 1

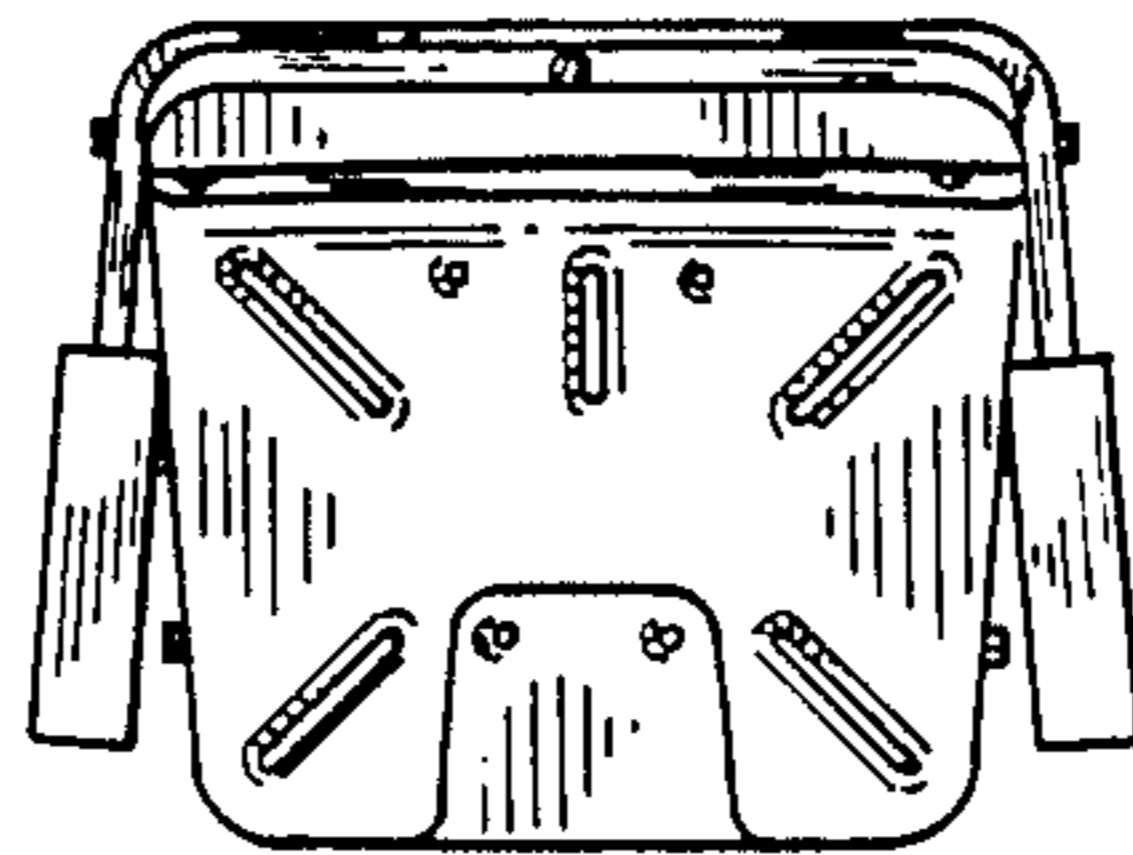


FIG. 3

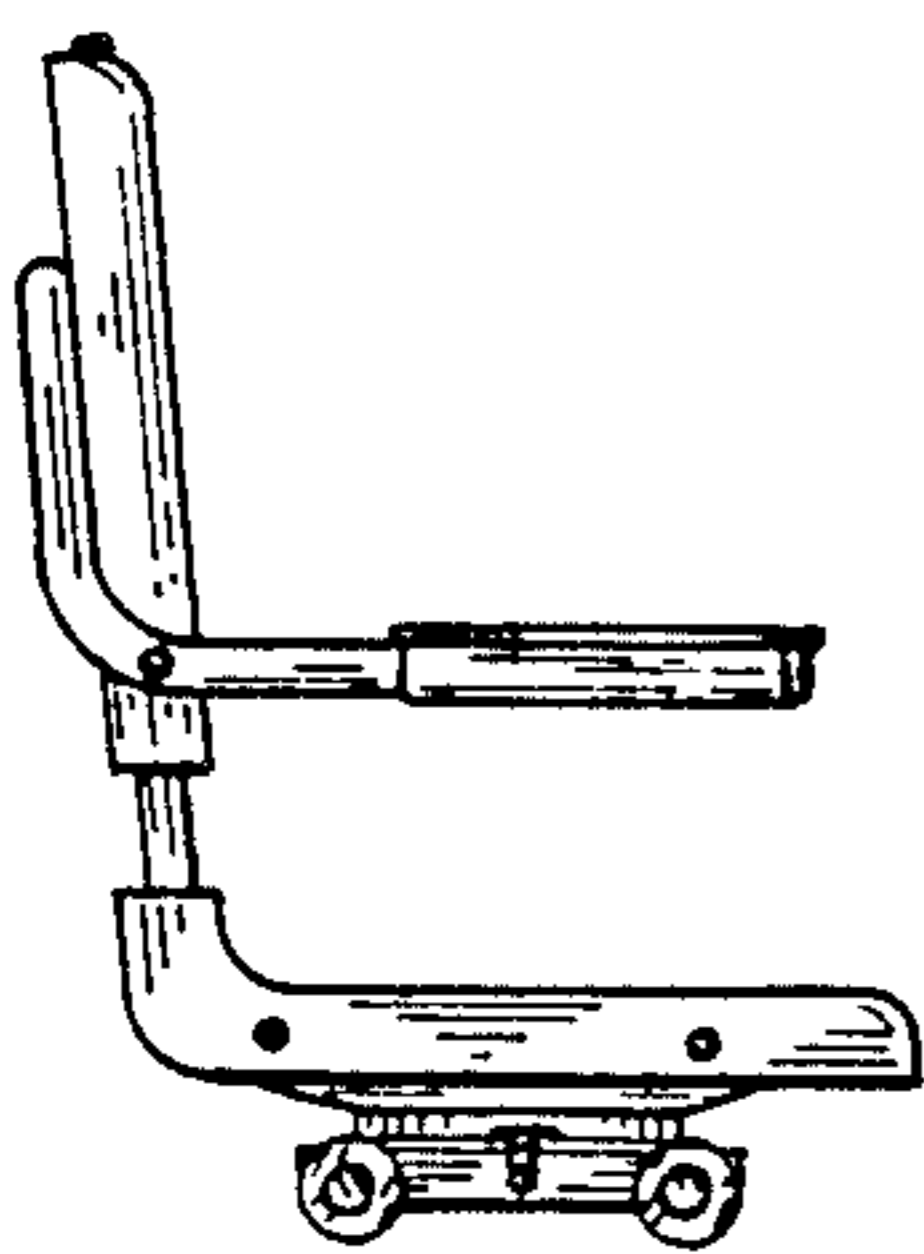


FIG. 5

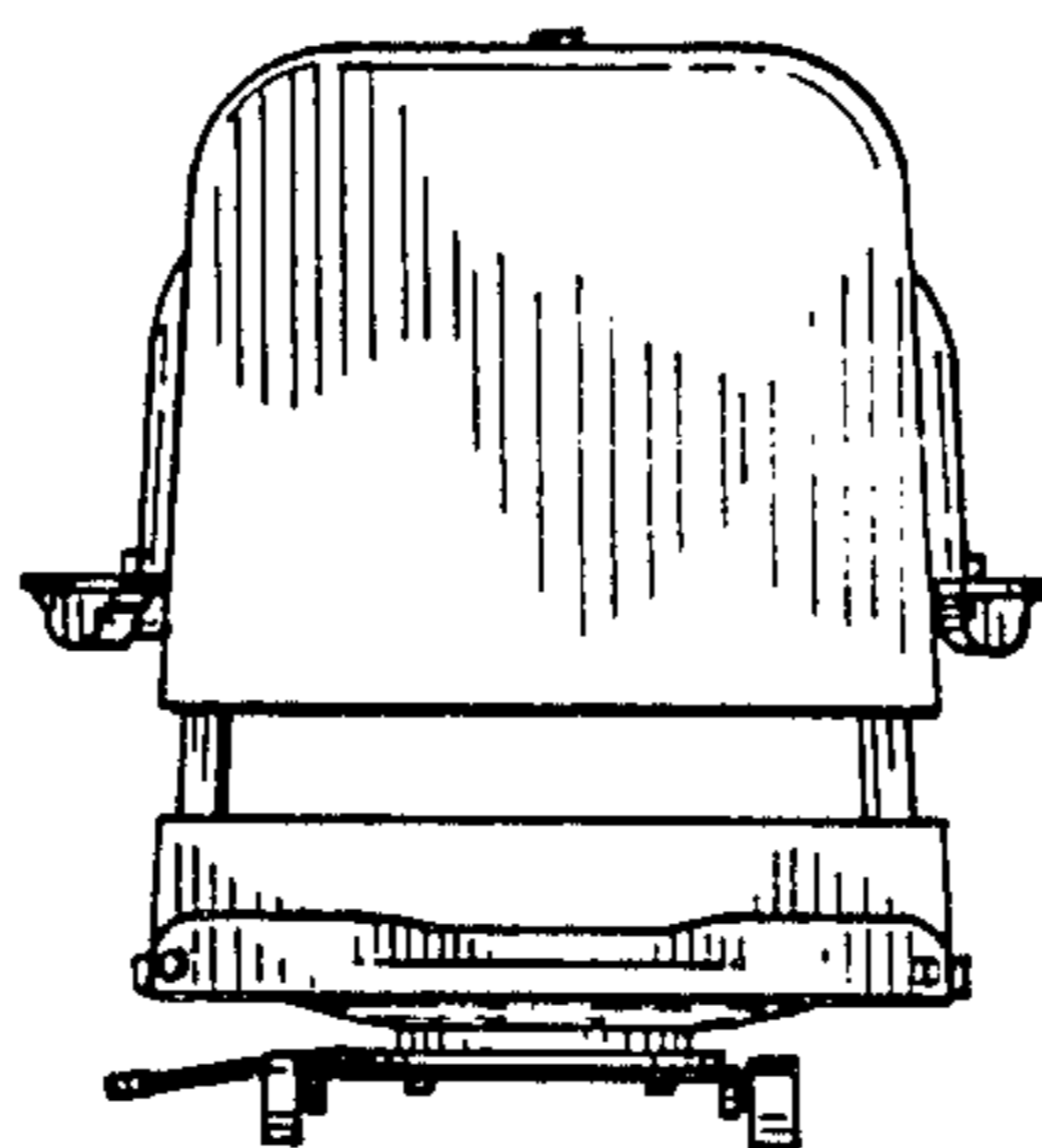


FIG. 2

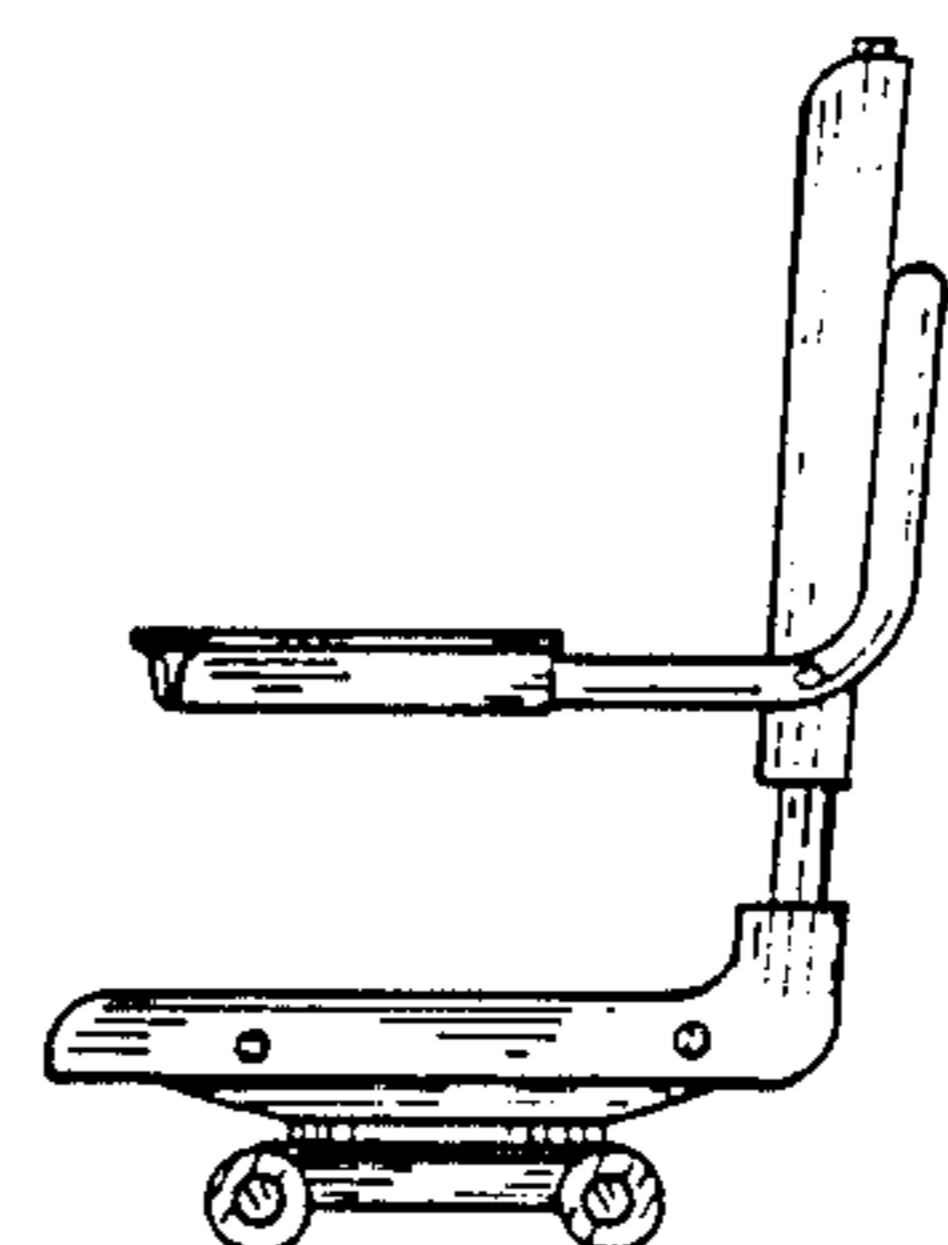


FIG. 6

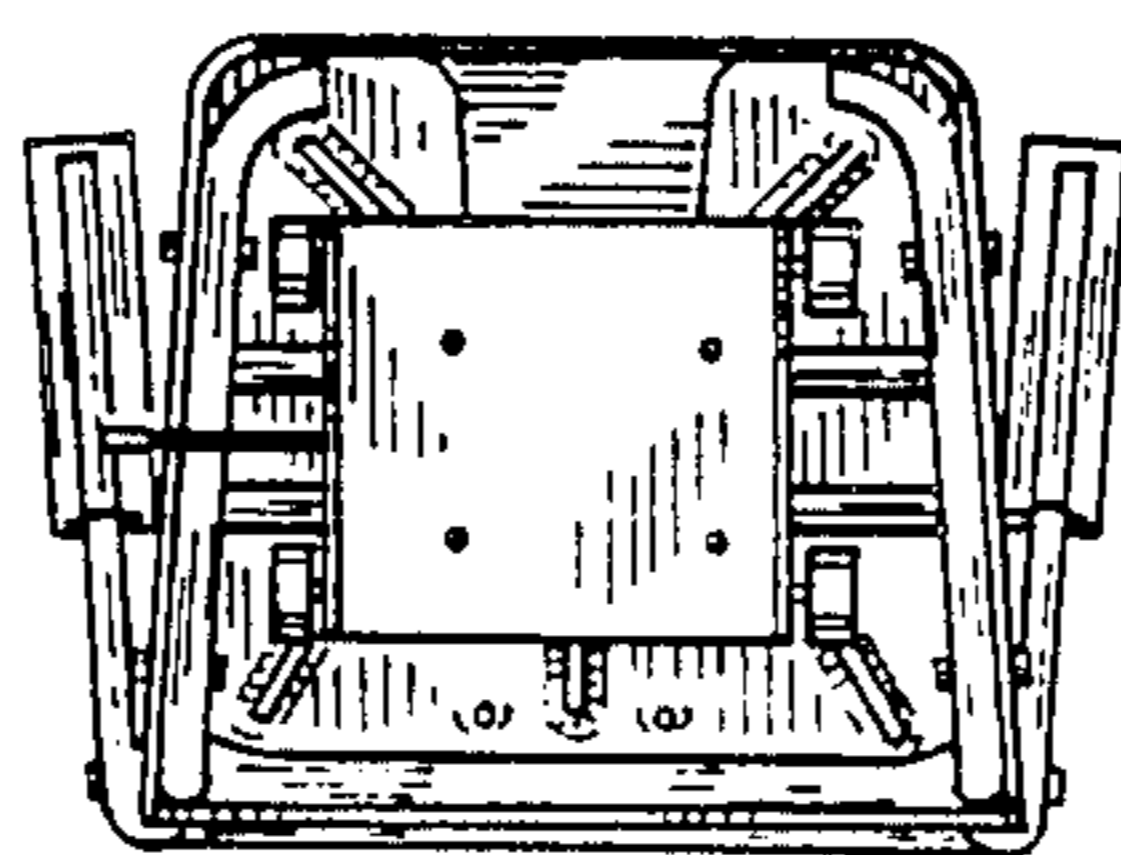


FIG. 4

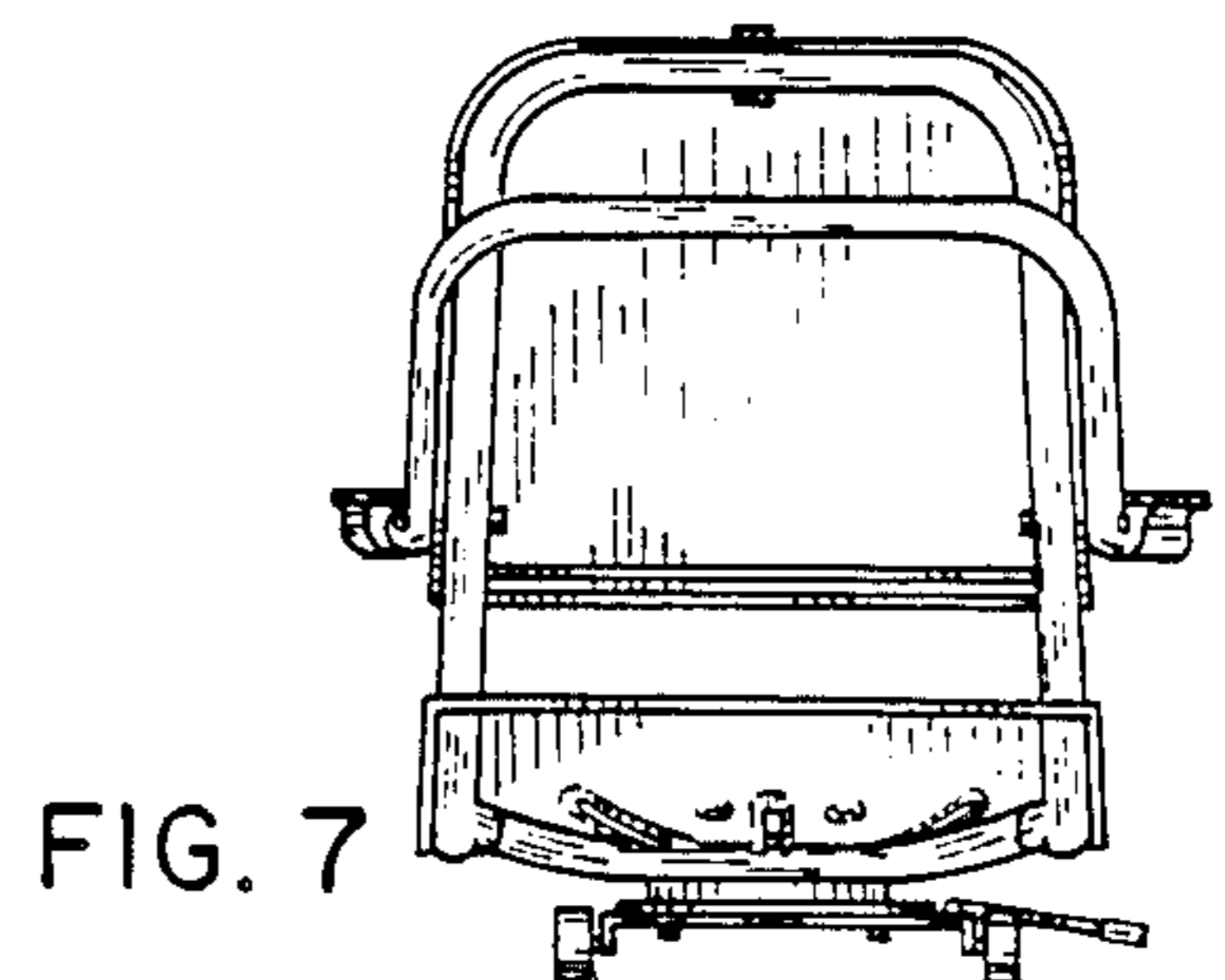


FIG. 7

UNITED STATES PATENT AND TRADEMARK OFFICE  
**CERTIFICATE OF CORRECTION**

PATENT NO. : Des. No. 294,664  
DATED : March 15, 1988  
INVENTOR(S) : Charles Clark

It is certified that error appears in the above-identified patent and that said Letters Patent is hereby corrected as shown below:

On the title page, Item [22] "Filed: March 15, 1988" should read

-- Filed: Aug. 20, 1985 --.

**Signed and Sealed this  
Second Day of August, 1988**

*Attest:*

*Attesting Officer*

DONALD J. QUIGG

*Commissioner of Patents and Trademarks*