

United States Patent [19]

Kang

[11] Patent Number: Des. 294,661

[45] Date of Patent: ** Mar. 15, 1988

[54] COMBINED TOOTHBRUSH AND RAZOR

[76] Inventor: Jin S. Kang, 2885 W. 7th St., Los Angeles, Calif. 90005

[**] Term: 14 Years

[21] Appl. No.: 754,948

[22] Filed: Jul. 15, 1985

[52] U.S. Cl. D4/108; D28/46

[58] Field of Search D4/104-113;
D28/46; 30/34 R, 86, 90, 41; 206/38, 226, 228,
234, 581, 823; 132/80, 84; 15/167 R, 106

[56] References Cited

U.S. PATENT DOCUMENTS

1,392,753 10/1921 Franck 30/86 X
1,810,652 6/1931 Flintermann 30/34 R

4,542,828 9/1985 Gotto 30/34 R X

Primary Examiner—Catherine E. Kemper
Attorney, Agent, or Firm—Christie, Parker & Hale

[57] CLAIM

The ornamental design for a combined toothbrush and razor, substantially as shown.

DESCRIPTION

FIG. 1 is a perspective view of a combined toothbrush and razor, showing my new design;
FIG. 2 is a right side elevational view thereof;
FIG. 3 is a top plan view thereof;
FIG. 4 is a bottom plan view thereof;
FIG. 5 is a rear elevational view thereof;
FIG. 6 is a front elevational view thereof;
FIG. 7 is a left side elevational view thereof;
FIG. 8 is an exploded perspective view thereof.

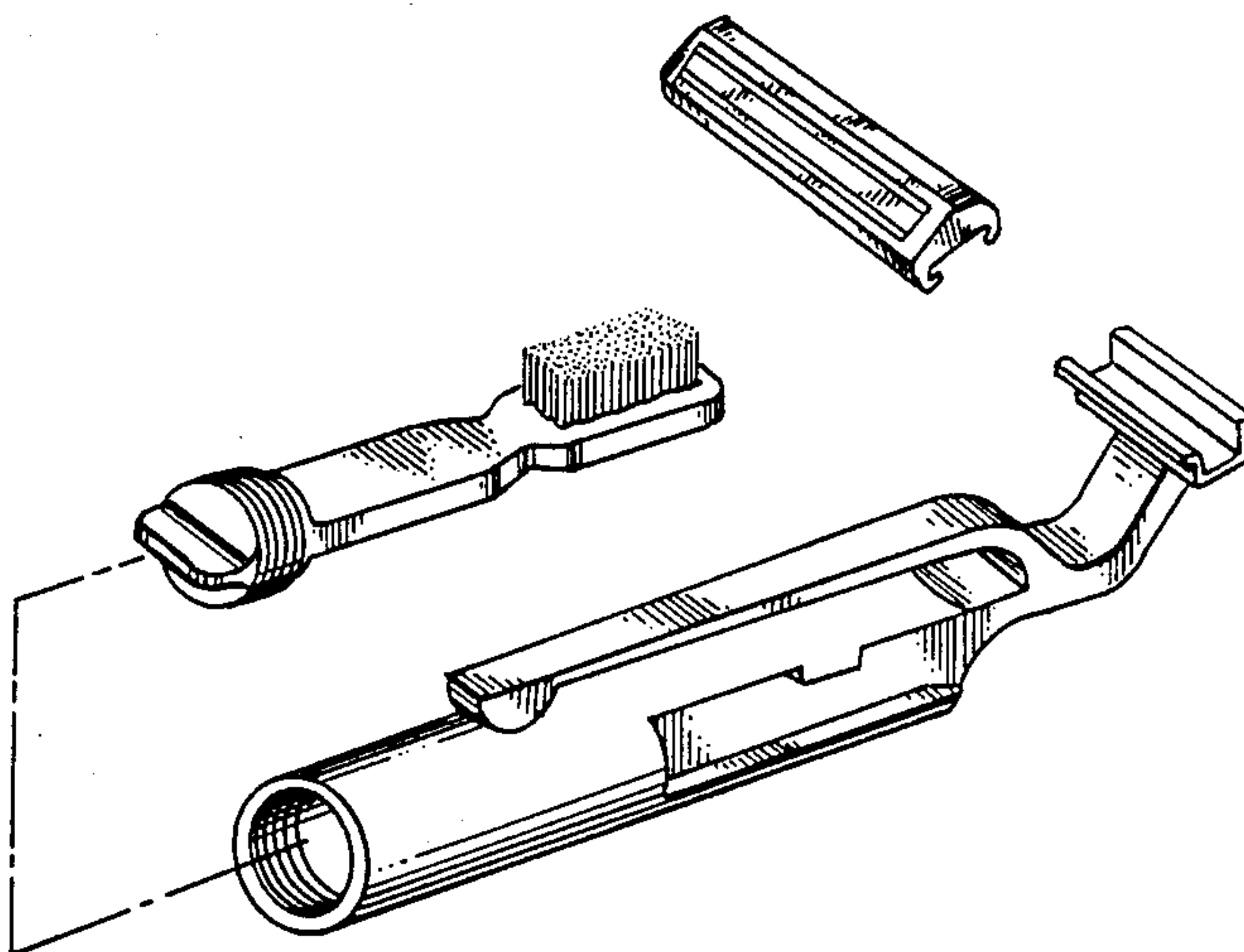


Fig. 1

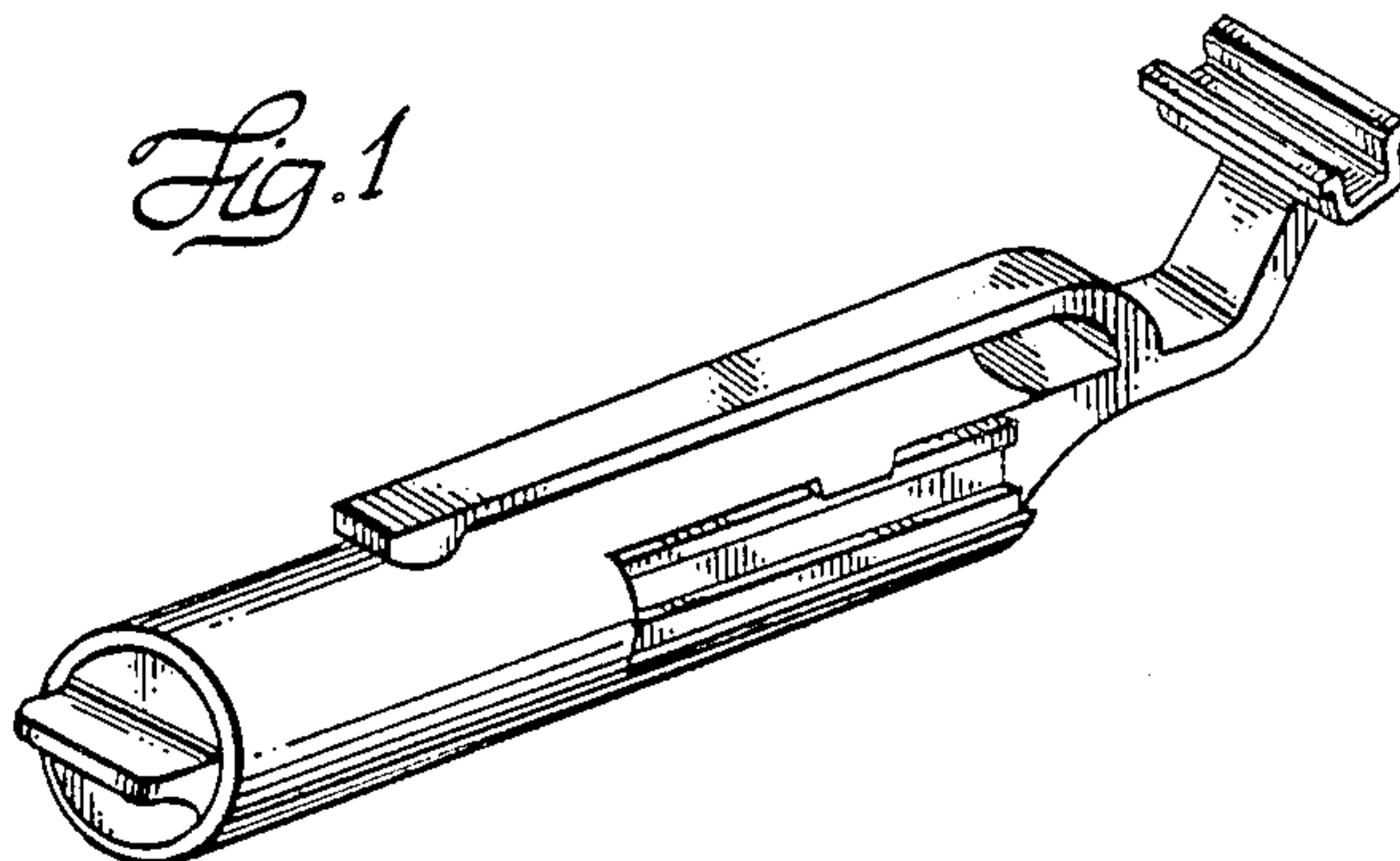


Fig. 2

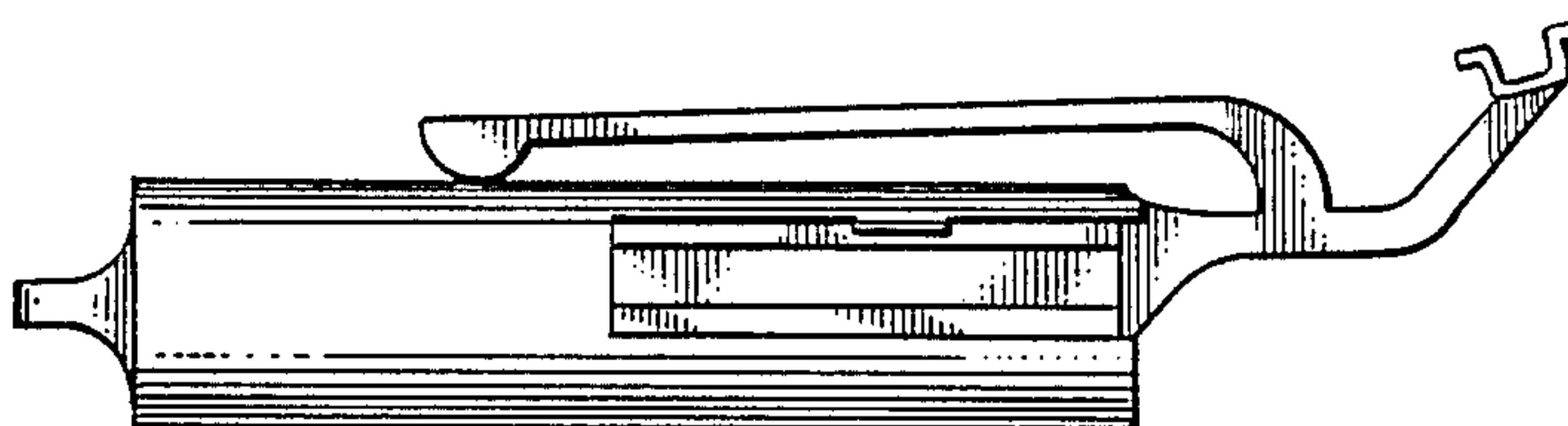


Fig. 3

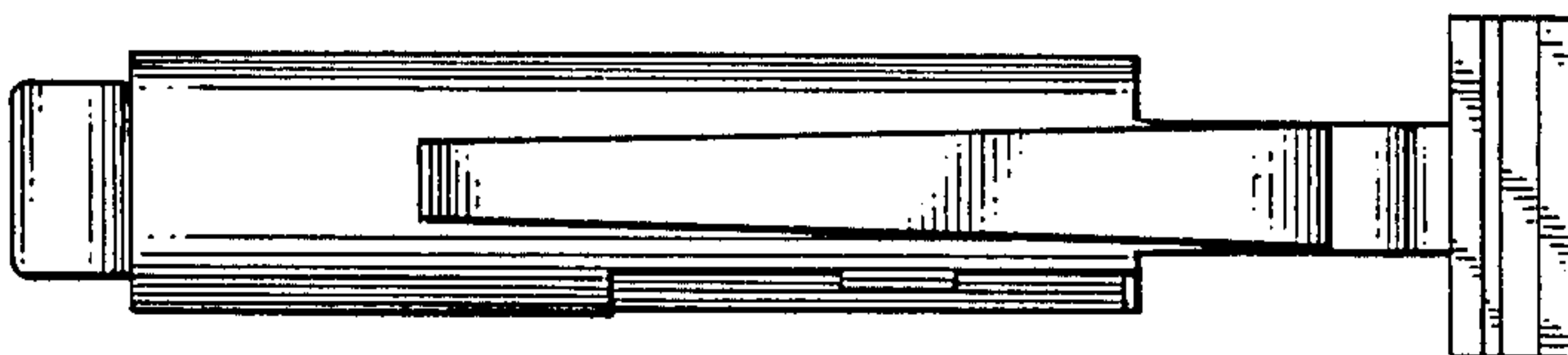


Fig. 4

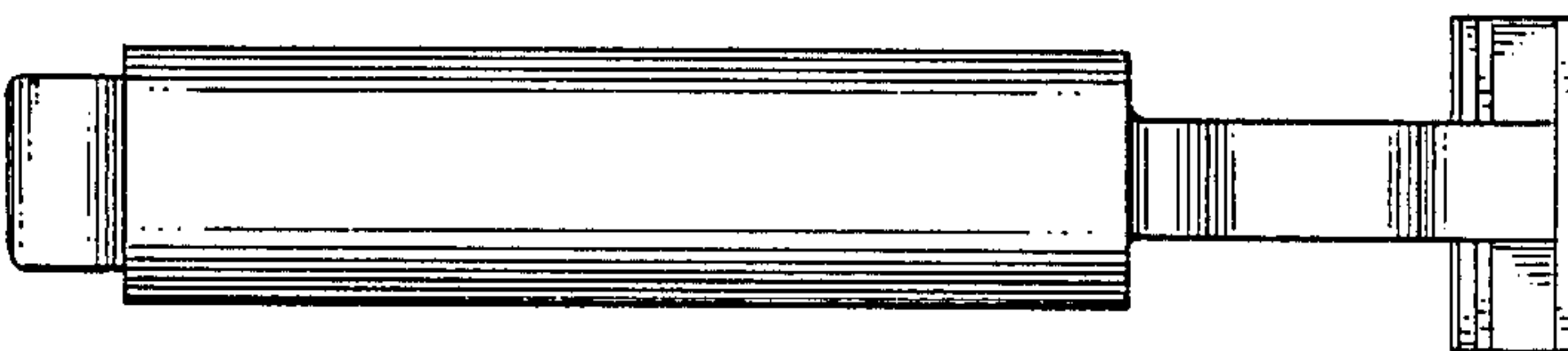


Fig. 5

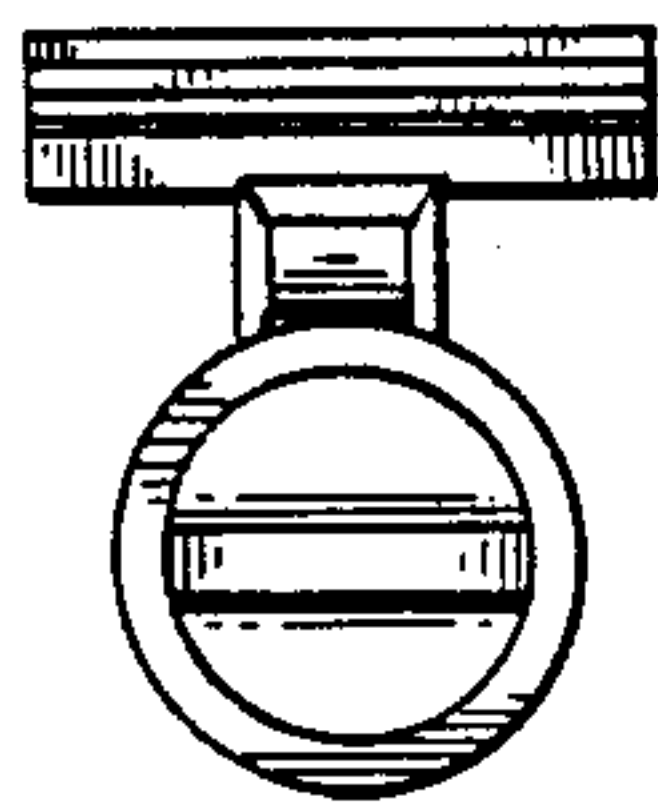


Fig. 6

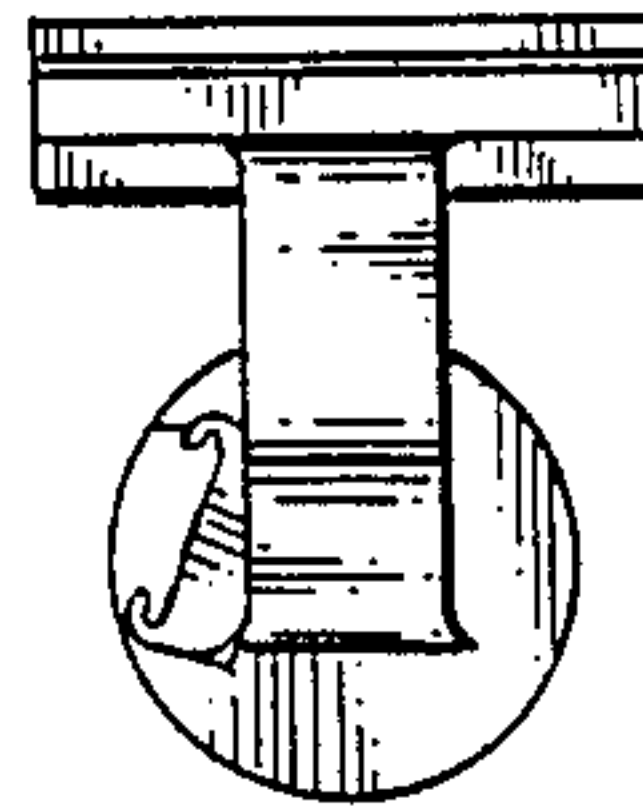


Fig. 7

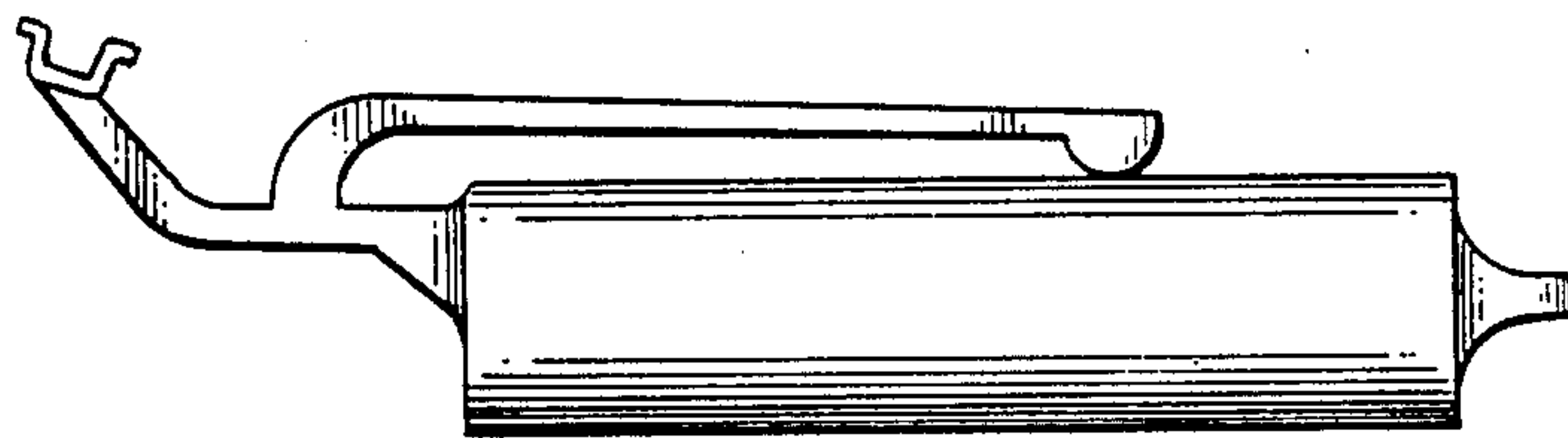


Fig. 8

