

[54] **LIGHT FILTER FOR USE IN CURING  
DENTAL BONDING RESINS**

[76] **Inventor: Theodore P. Croll, 685 S. Chubb Dr.,  
Doylestown, Pa. 18901**

[\*\*] **Term: 14 Years**

[21] **Appl. No.: 699,266**

[22] **Filed: Feb. 7, 1985**

[52] **U.S. Cl. .... D24/16; D21/213**

[58] **Field of Search .... D24/10, 13, 16, 23,  
D24/29; D30/43; D16/105, 130, 136; D20/22,  
27; 433/3, 26, 141, 229; 350/311, 318, 321;  
D21/213; D22/124; D8/16; D3/1-4; 273/30,  
67 R, 76**

[56] **References Cited**

**U.S. PATENT DOCUMENTS**

D. 240,055	5/1976	Spivey, III	.....	273/67 R X
D. 247,367	2/1978	Dragan	.....	D24/10
D. 265,506	7/1982	Finamore	.....	D24/23
3,959,908	6/1976	Lowe	.....	D30/43 X
4,112,603	9/1978	Giulie	.....	D20/27 X

**FOREIGN PATENT DOCUMENTS**

493548 3/1930 Fed. Rep. of Germany ..... 273/7

**OTHER PUBLICATIONS**

S.S. White Dental Catalogue (1914) p. 15, "Partial Upper Trays)".

*Primary Examiner*—Wallace R. Burke

*Assistant Examiner*—Brian N. Vinson

*Attorney, Agent, or Firm*—Gregory J. Gore

[57] **CLAIM**

The ornamental design for a light filter for use in curing dental bonding resins, as shown and described.

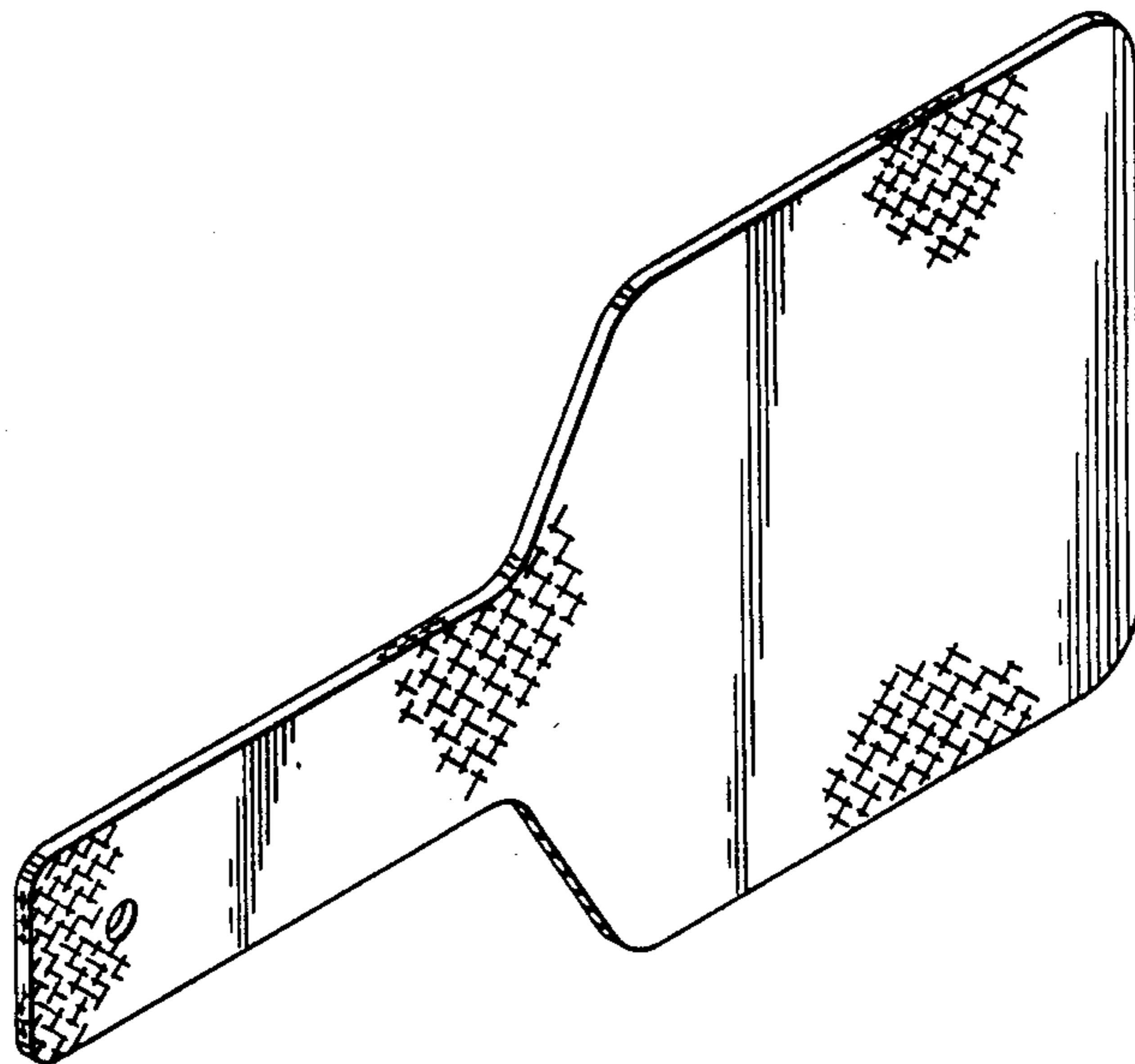
**DESCRIPTION**

FIG. 1 is a top and front perspective view of a light filter for use in curing dental bonding resins, showing my new design;

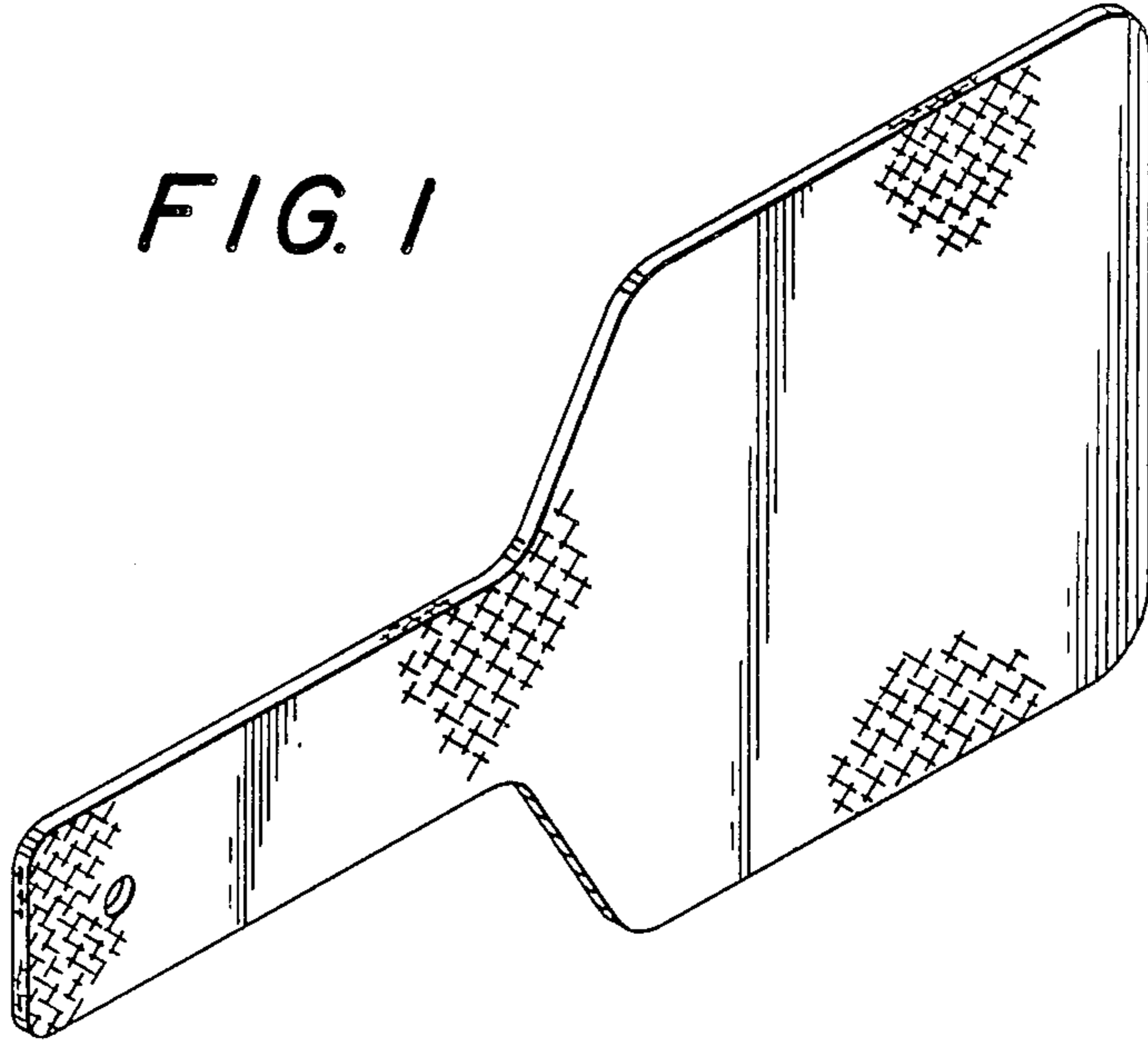
FIG. 2 is a front elevational view thereof, the rear being identical in appearance;

FIG. 3 is a top plan view thereof, the bottom being identical in appearance;

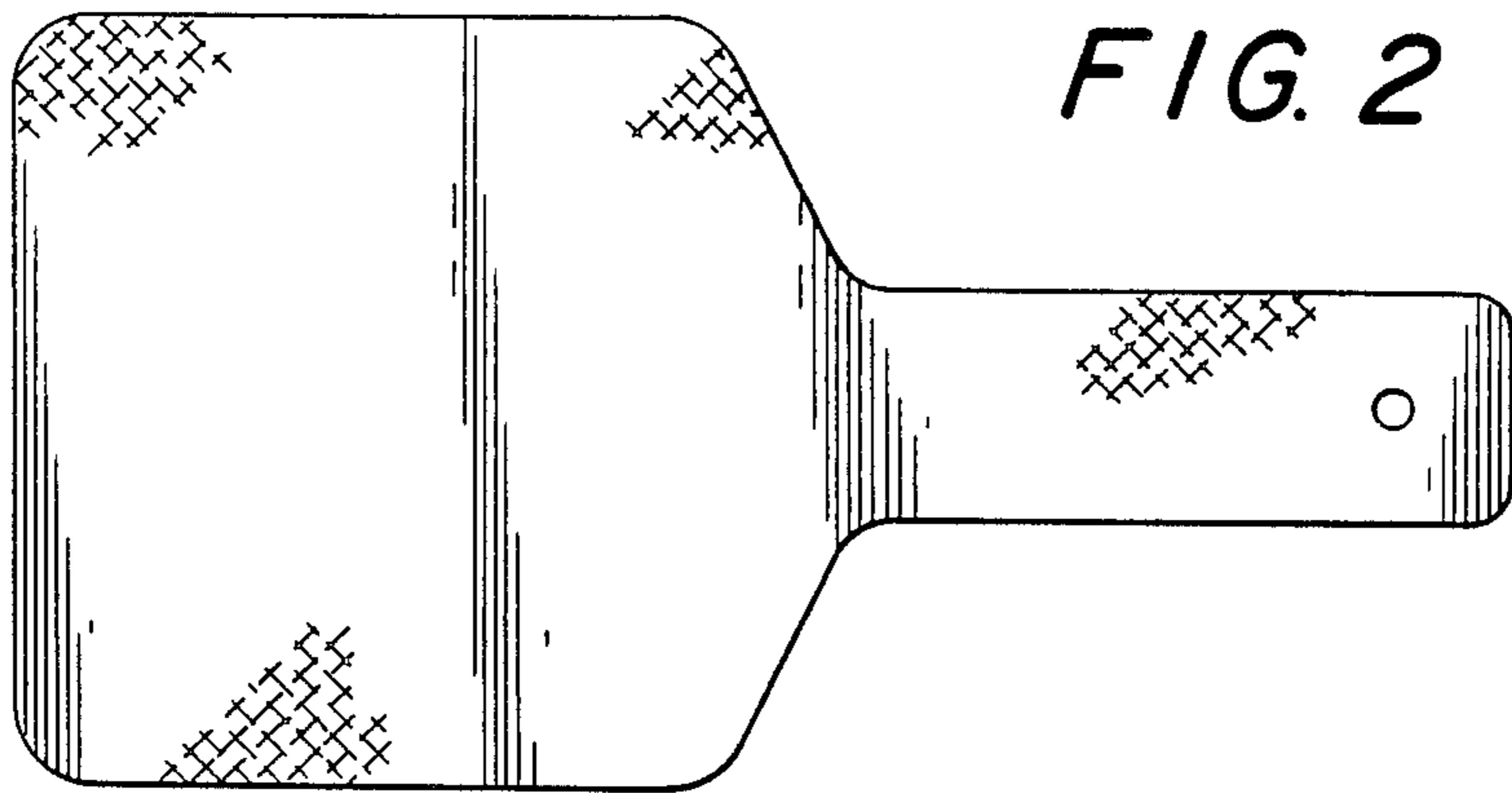
FIG. 4 is a right side elevational view thereof; and, FIG. 5 is a left side elevational view thereof. The cross hatched pattern is understood to cover the entire surface illustrated.



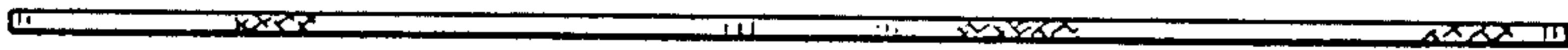
*FIG. 1*



*FIG. 2*



*FIG. 3*



*FIG. 5*



*FIG. 4*

