

[54] OSCILLATING SPRINKLER

[75] Inventor: Kenneth Hattori, Bensenville, Ill.

[73] Assignee: Suncoast Corporation, Batavia, Ill.

[\*\*] Term: 14 Years

[21] Appl. No.: 847,813

[22] Filed: Apr. 2, 1986

[52] U.S. Cl. .... D23/216

[58] Field of Search ..... D23/6-8;  
239/225.1, 242, 248, 280

[56] References Cited

U.S. PATENT DOCUMENTS

- D. 178,782 9/1956 Jepson ..... D23/8
- D. 282,769 2/1986 Lemkin et al. .... D23/8
- 2,914,255 11/1959 Jepson ..... 239/280 X

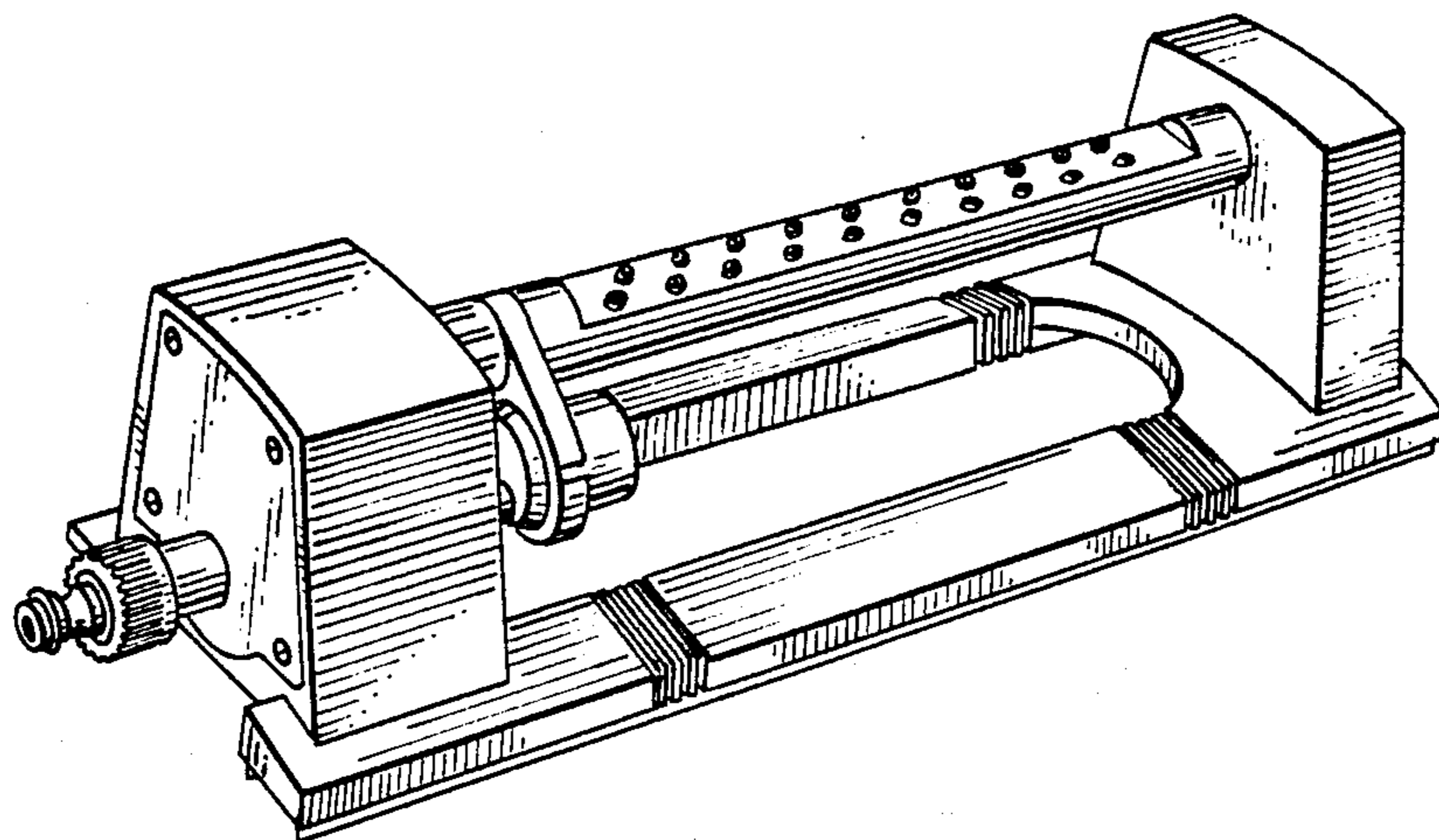
Primary Examiner—B. J. Bullock  
Assistant Examiner—Brian N. Vinson  
Attorney, Agent, or Firm—Fitch, Even, Tabin & Flannery

[57] CLAIM

The ornamental design for an oscillating sprinkler, substantially as shown and described.

DESCRIPTION

FIG. 1 is a top, rear perspective view of an oscillating sprinkler showing my new design;  
FIG. 2 is a right side elevational view thereof;  
FIG. 3 is a rear end elevational view thereof;  
FIG. 4 is a front end elevational view thereof;  
FIG. 5 is a top plan view thereof;  
FIG. 6 is a left side elevational view thereof; and,  
FIG. 7 is a bottom plan view thereof.



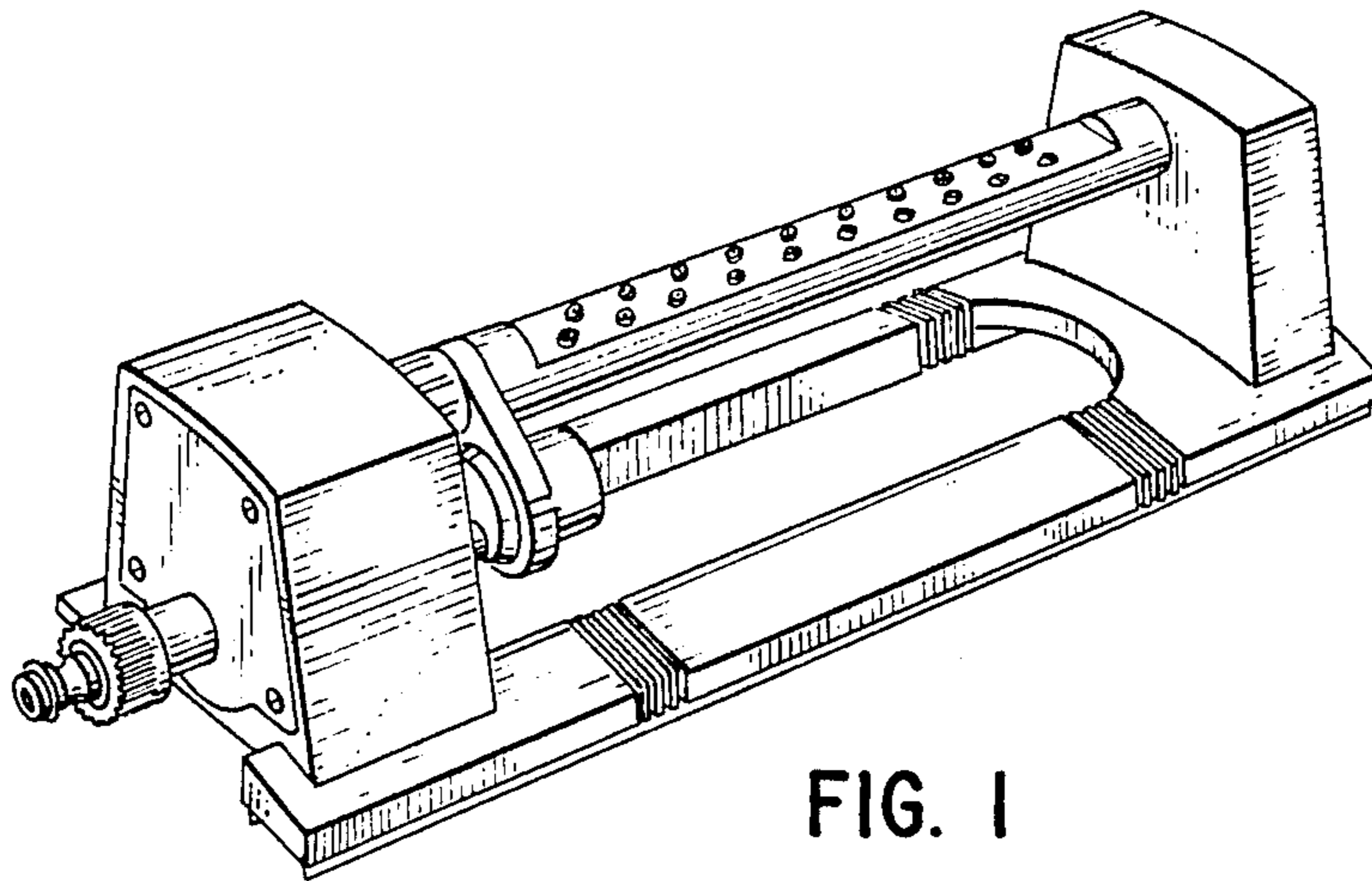


FIG. 1

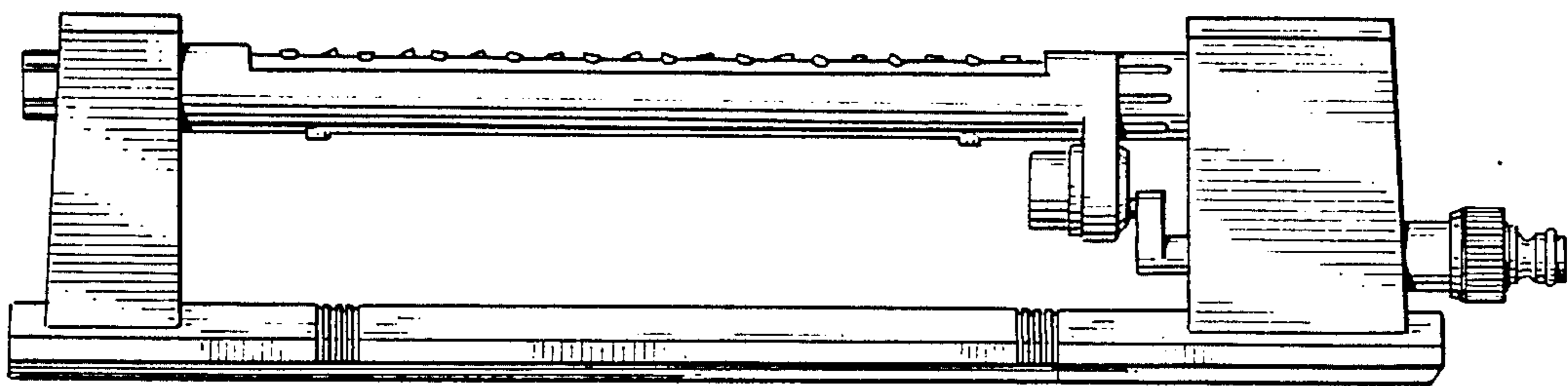


FIG. 2

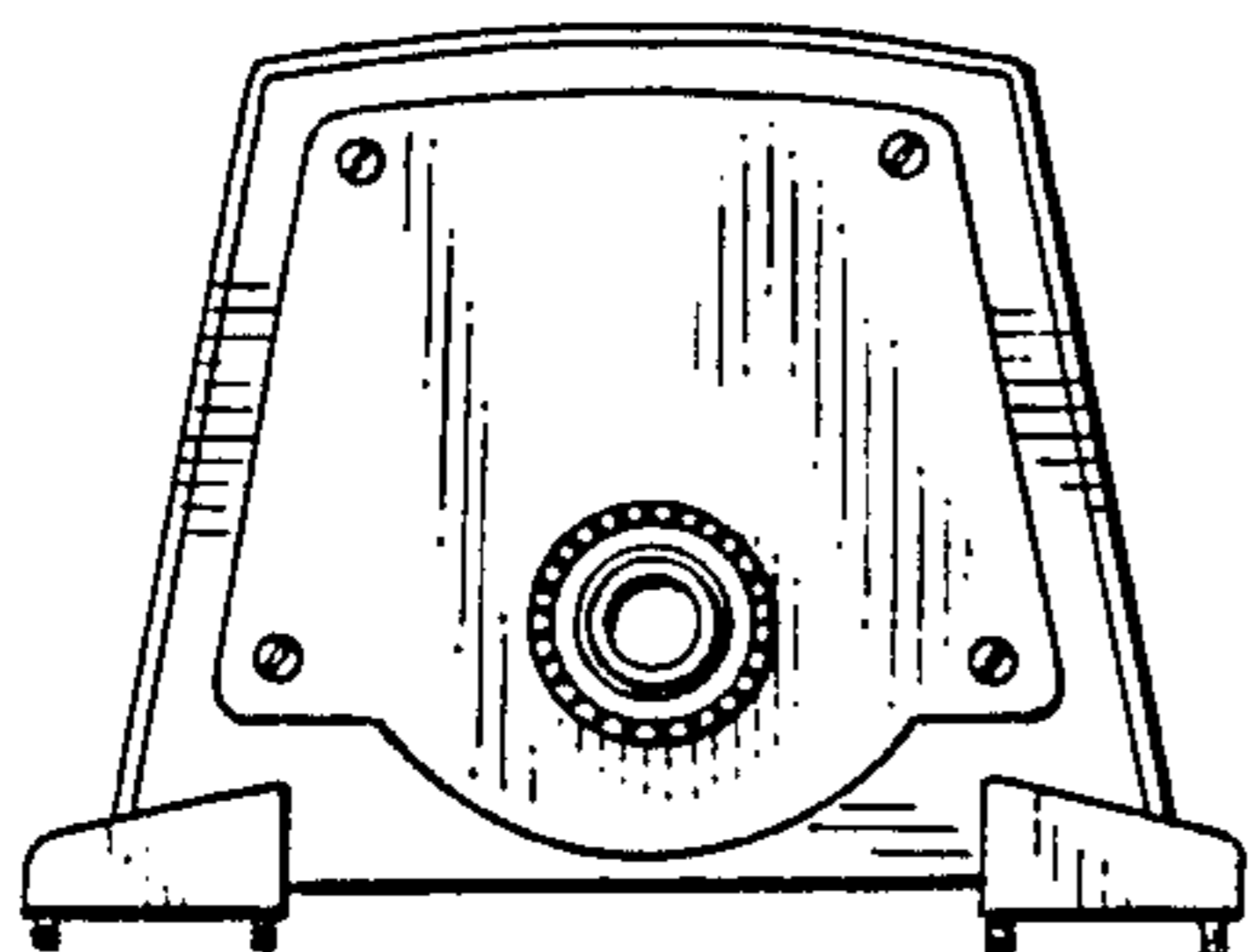


FIG. 3

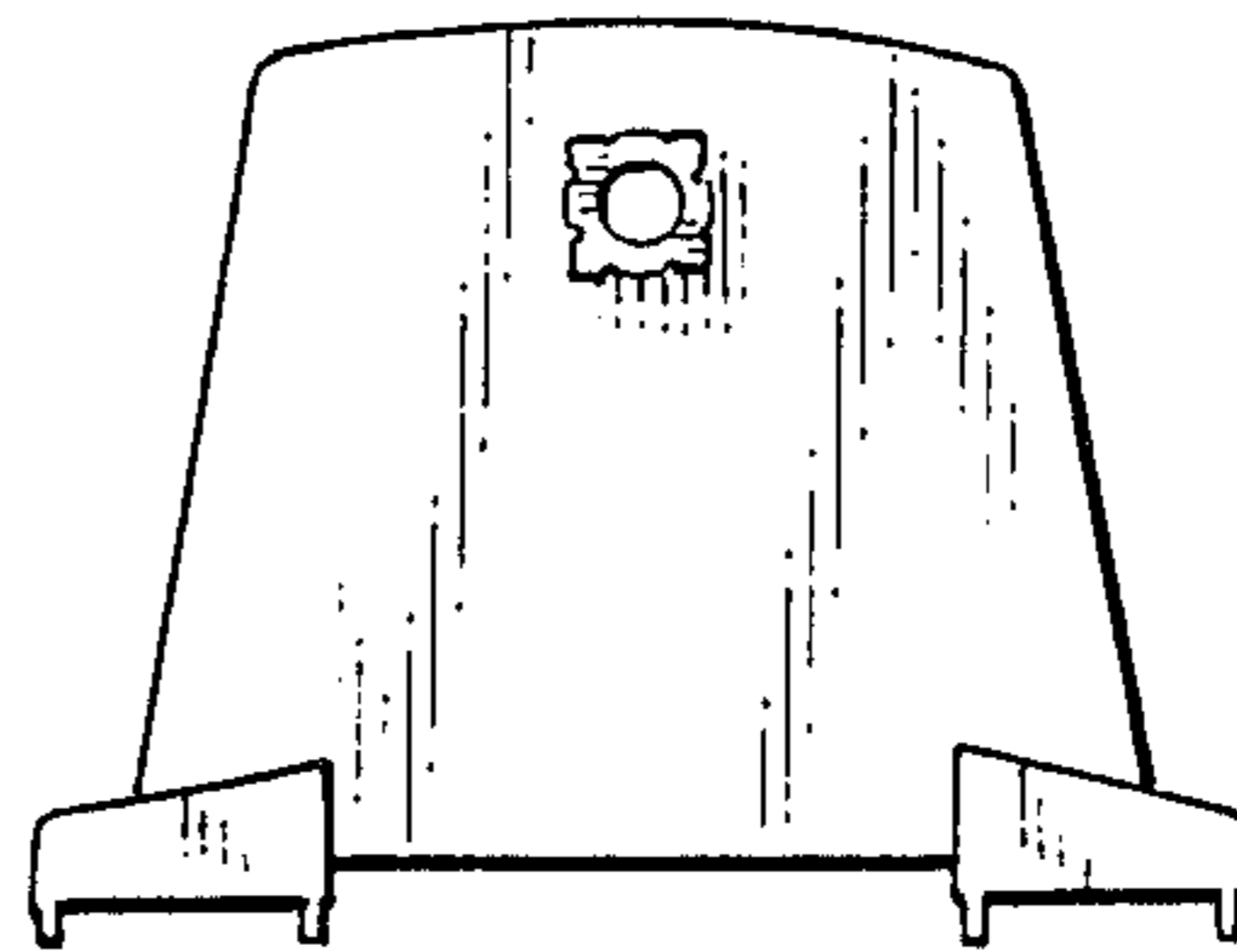


FIG. 4

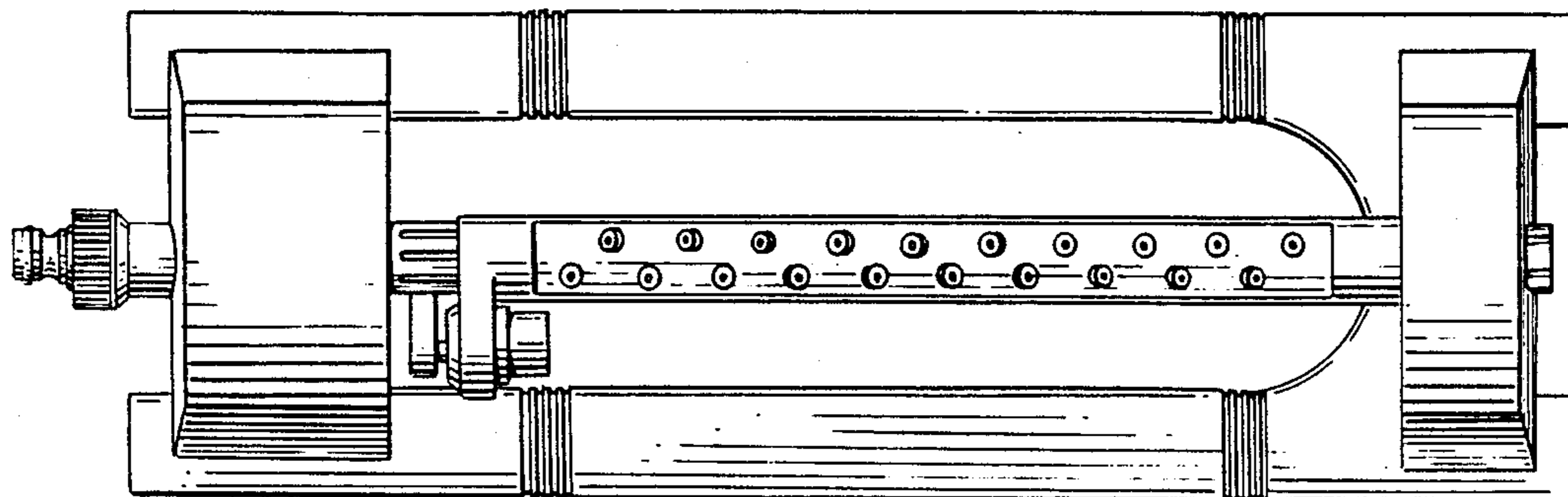


FIG. 5

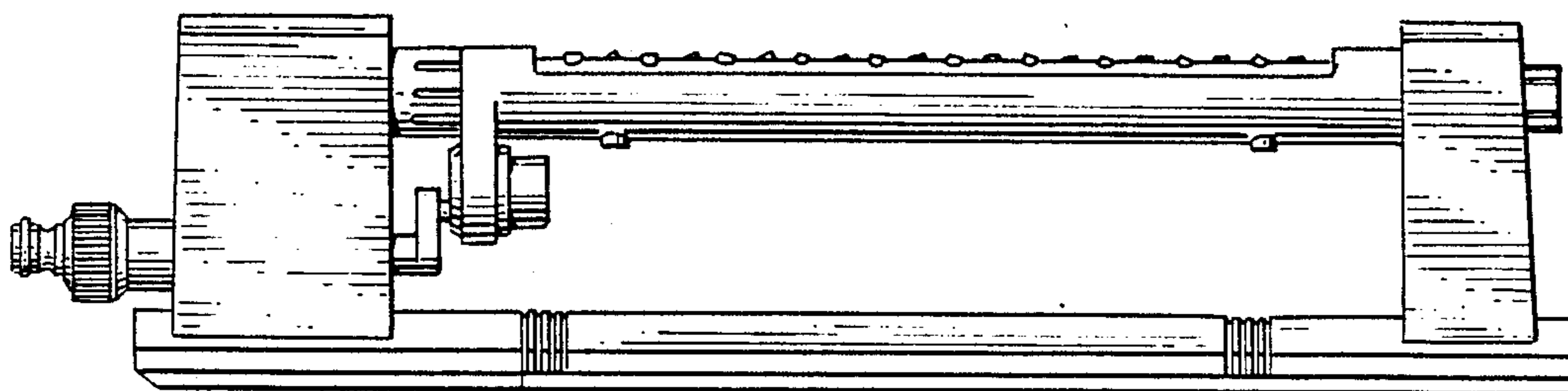


FIG. 6

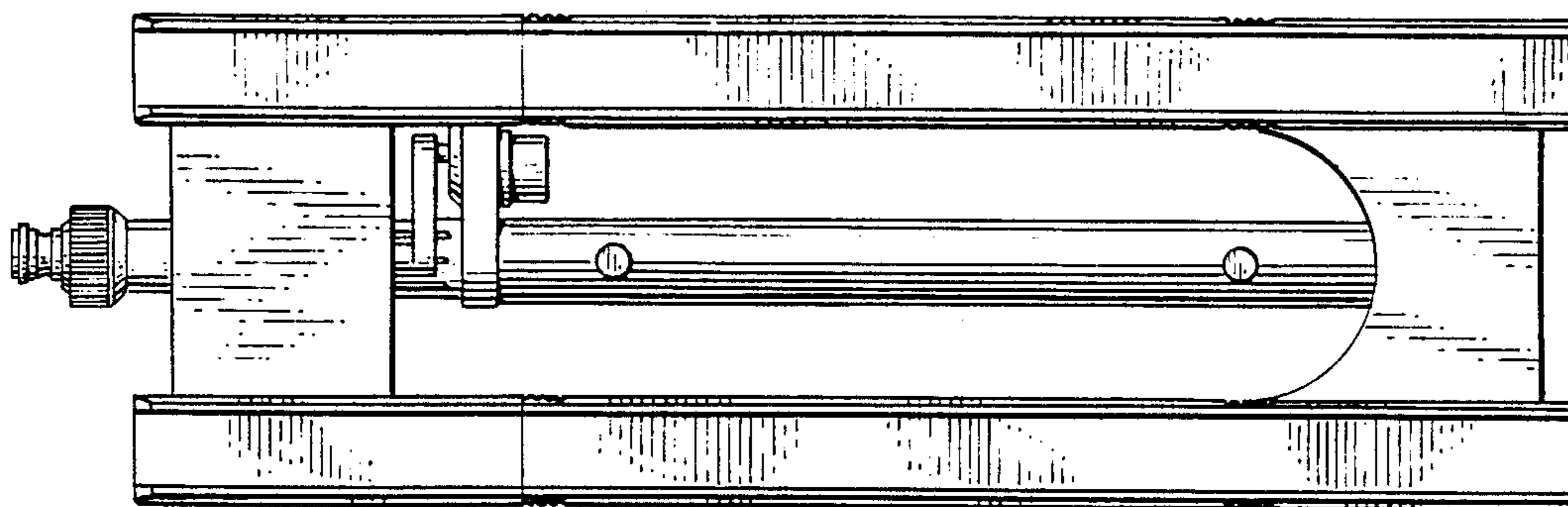


FIG. 7