

United States Patent [19]
McBratney

[11] **Patent Number: Des. 294,633**
[45] **Date of Patent: ** Mar. 8, 1988**

- [54] **AIR CONDITIONER**
[75] **Inventor: Peter McBratney, St. Marys, Australia**
[73] **Assignee: F F Seeley Nominees Pty Ltd., St. Marys, Australia**
[**] **Term: 14 Years**
[21] **Appl. No.: 710,054**
[22] **Filed: Mar. 11, 1985**
[30] **Foreign Application Priority Data**
Oct. 31, 1984 [AU] Australia 7669/84
[52] **U.S. Cl. D23/333; D23/353**
[58] **Field of Search D23/139-145; 62/304, 09-310, 186, 259, 262, 426, 428; 261/DIG. 3, DIG. 43, DIG. 65; 98/29, 31.5-31.6, 38.4-38.9, 40.2, 40.21, 40.24-40.29, 42.12, 42.16, 42.18, 88.1, 94.1-94.2, 99.8, 100.5, 101-108, 110**

- [56] **References Cited**
U.S. PATENT DOCUMENTS
D. 284,999 8/1986 Worthington et al. D23/143

- 4,365,930 12/1982 Ogura et al. 98/40.24 X
4,615,182 10/1986 Worthington 62/304 X

OTHER PUBLICATIONS

Brochure: "De-Luxe Model Evaporative Cooler".
Brochure: "PTE Evaporative Cooler".
Brochure: "The Cheapest Fan Club in Town."
Mingay's Price Service, Nov. 1978, Electrical Appliances, p. 47.

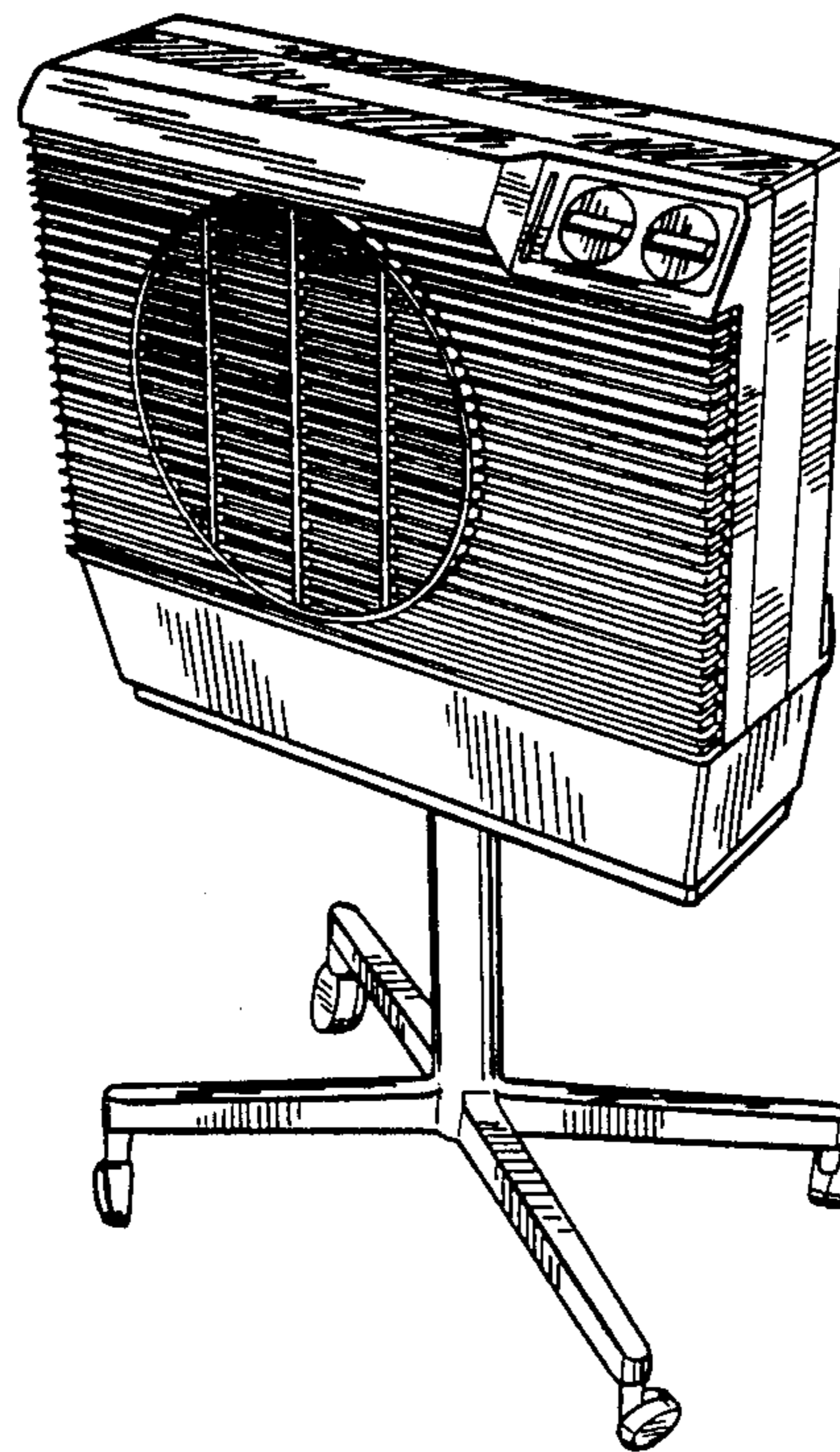
Primary Examiner—B. J. Bullock
Assistant Examiner—Brian N. Vinson
Attorney, Agent, or Firm—Brown, Martin, Haller & Meador

[57] **CLAIM**

The ornamental design for an air conditioner, substantially as shown and described.

DESCRIPTION

FIG. 1 is a right side perspective view of an air conditioner showing my new design, the left side being a mirror image;
FIG. 2 is a top, side and front perspective view thereof;
FIG. 3 is a front perspective view thereof; and
FIG. 4 is a rear perspective view thereof.



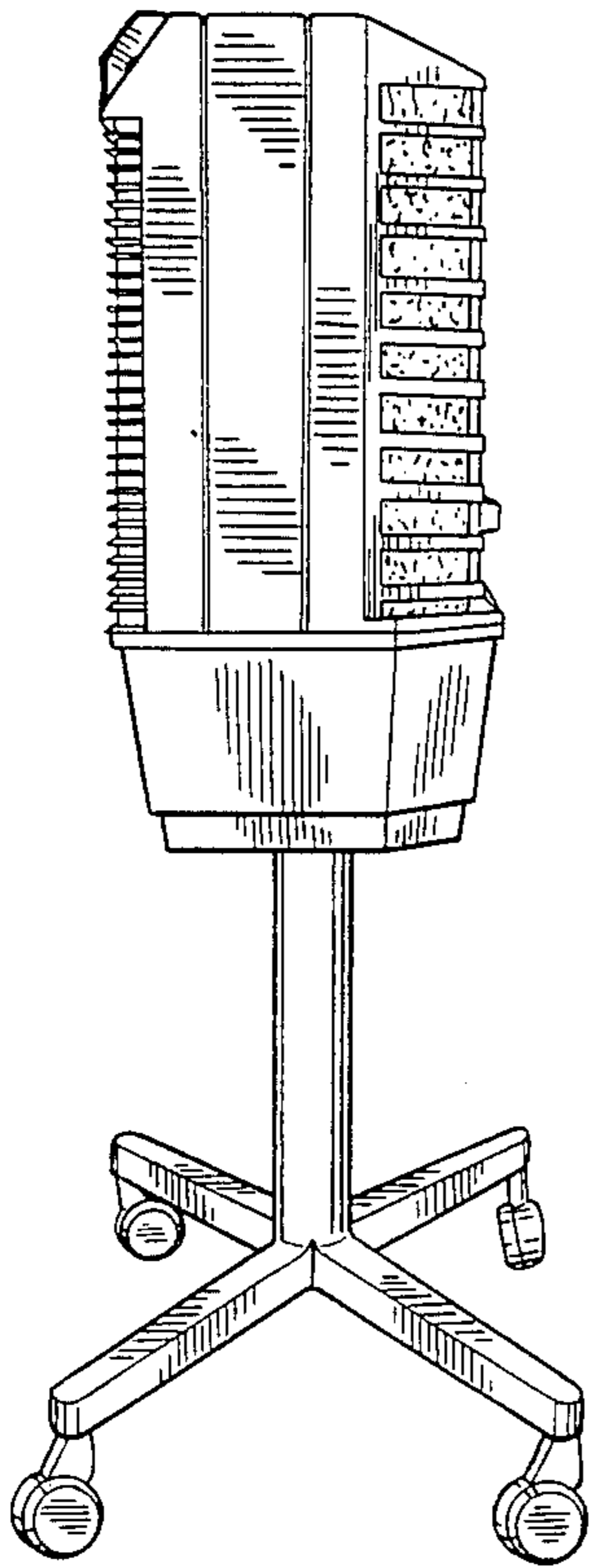


FIG 1

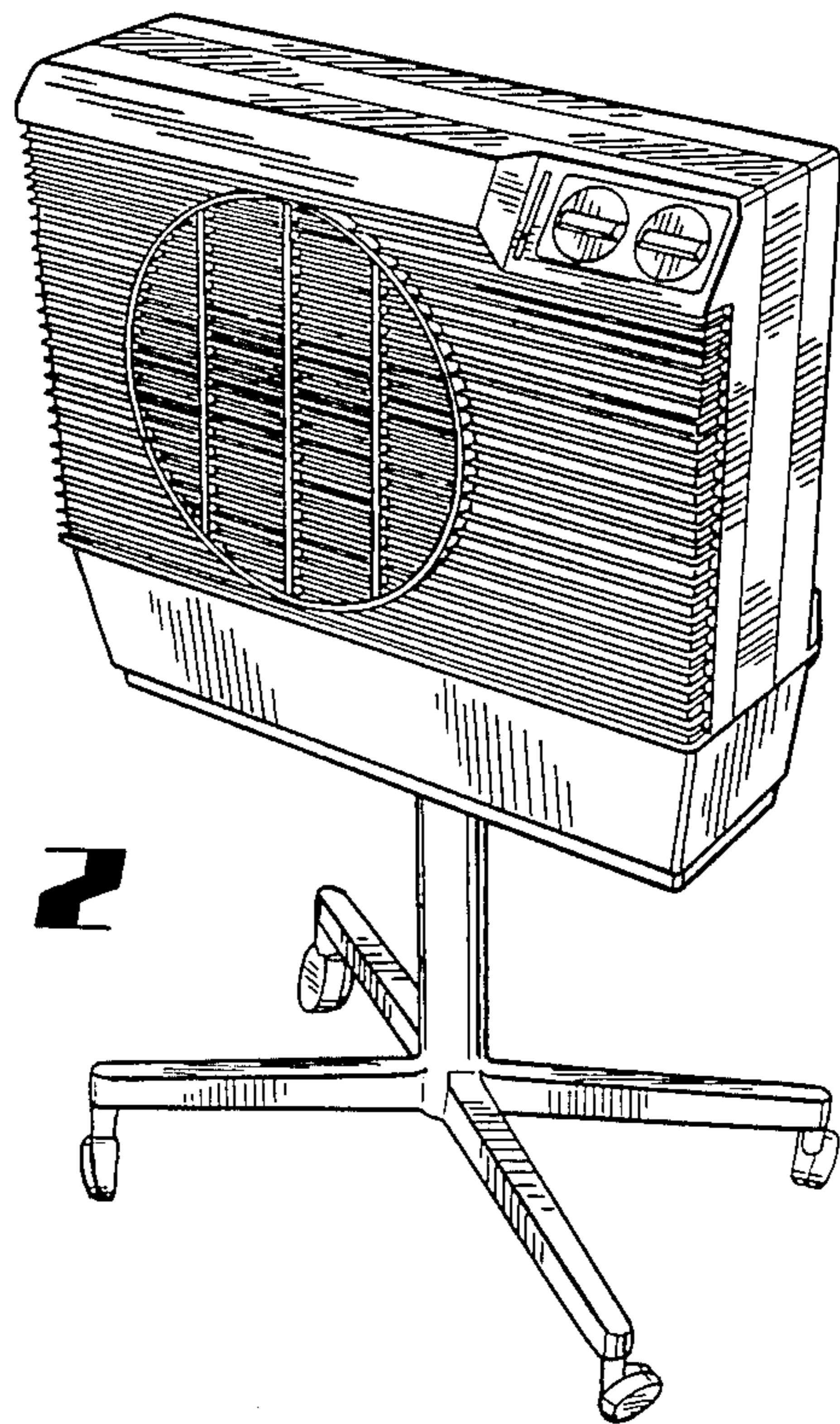


FIG 2

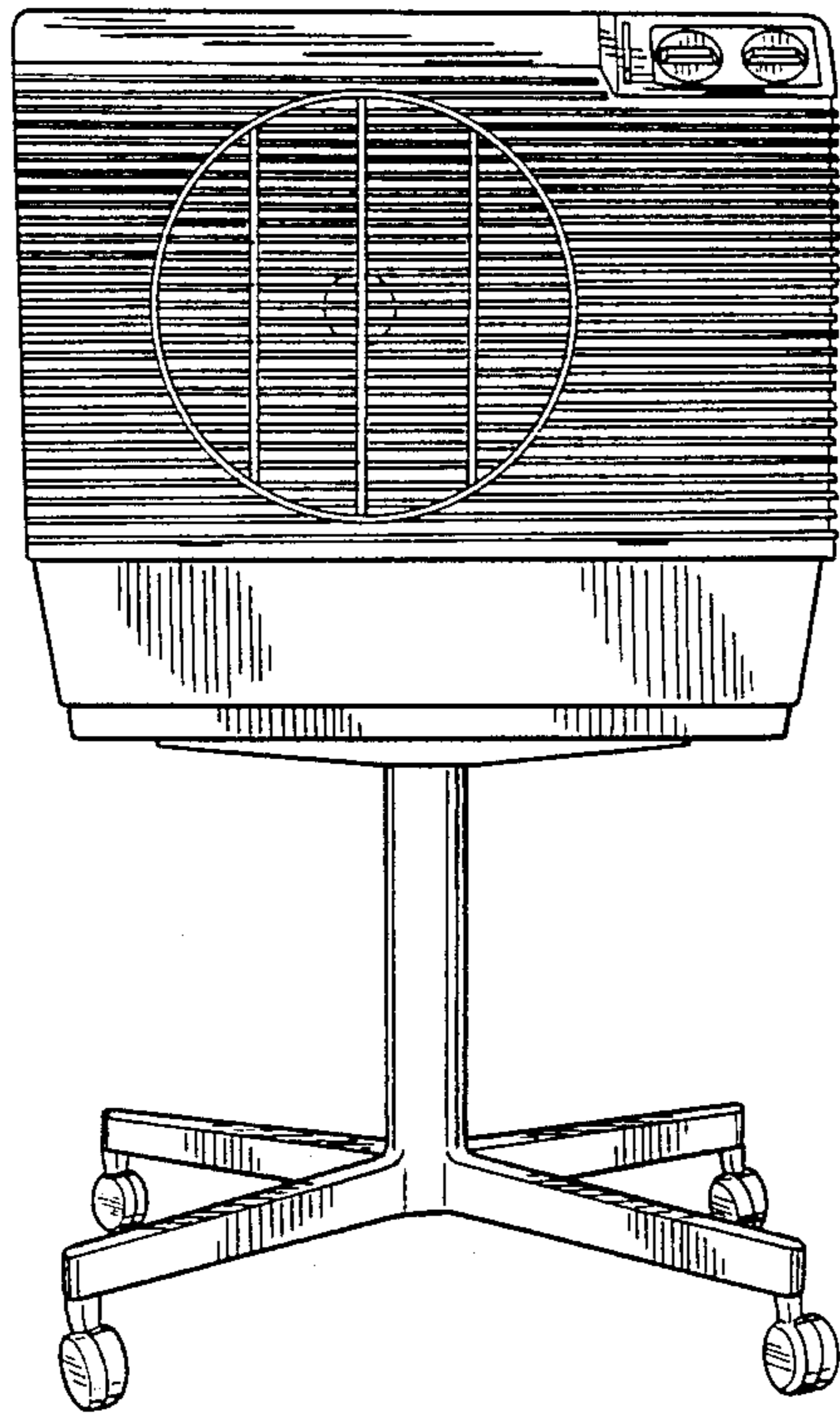


FIG 3

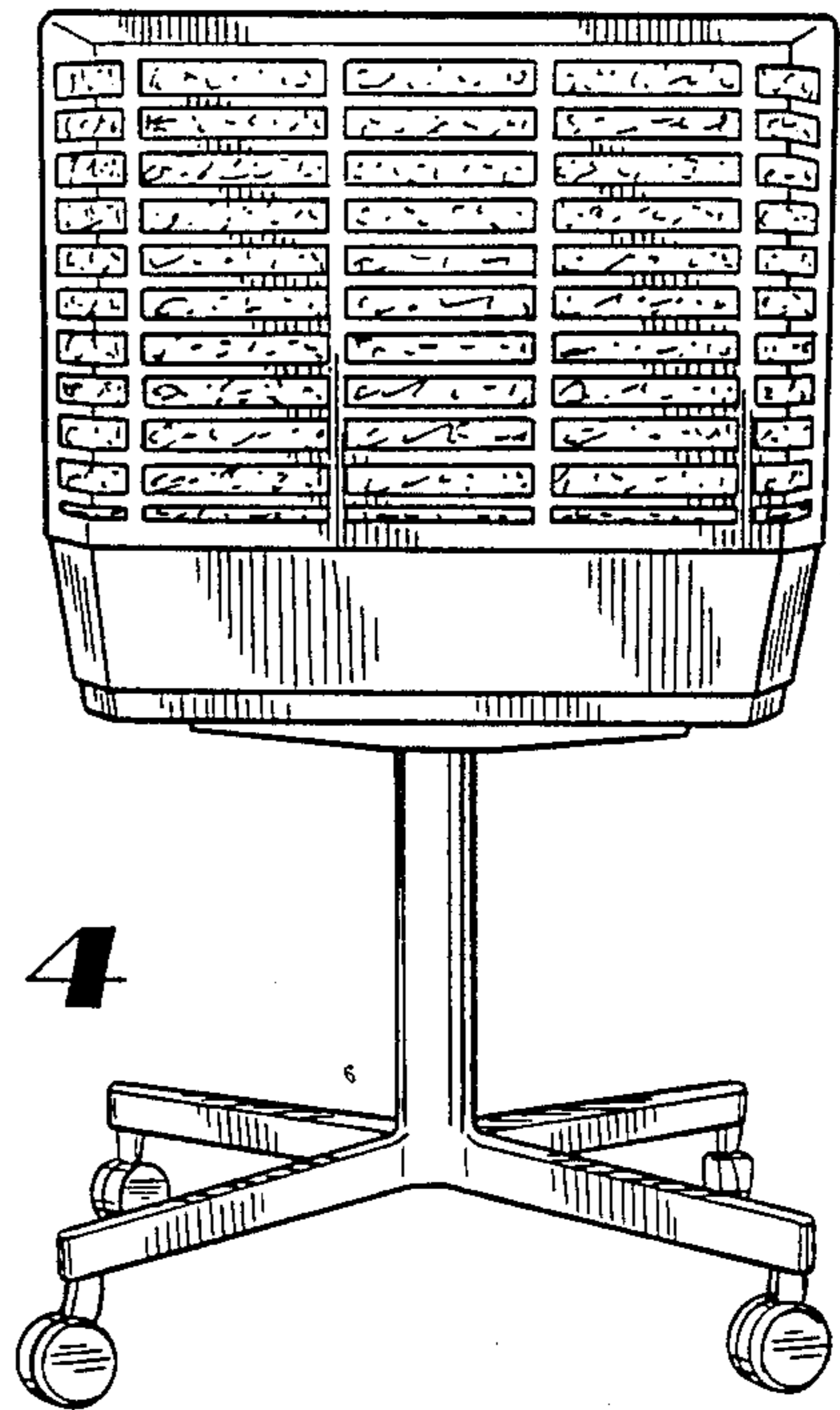


FIG 4