

United States Patent [19]

Bourbon

[11] Patent Number: Des. 294,631

[45] Date of Patent: ** Mar. 8, 1988

[54] FAUCET

[75] Inventor: Georges A. Bourbon, Caluire, France

[73] Assignee: Etablissements Mingori, Macon, France

[**] Term: 14 Years

[21] Appl. No.: 700,780

[22] Filed: Feb. 11, 1985

[30] Foreign Application Priority Data

Aug. 10, 1984 [FR] France 843592

[52] U.S. Cl. D23/241

[58] Field of Search D23/23-32;
4/191, 192; 137/606, 625.17, 625.4, 625.41, 801

[56] References Cited

U.S. PATENT DOCUMENTS

D. 280,543 9/1985 Paul D23/25

D. 281,097 10/1985 Arnold et al. D23/25

D. 284,302 6/1986 Hammarstedt D23/25

4,573,493 3/1986 Hammarstedt 137/801 X

4,607,659 8/1986 Cole 137/801 X

Primary Examiner—James R. Largen

Attorney, Agent, or Firm—Dowell & Dowell

[57] CLAIM

The ornamental design for a faucet, as shown and described.

DESCRIPTION

FIG. 1 is a perspective view taken from the front and left side of the faucet showing my new design;

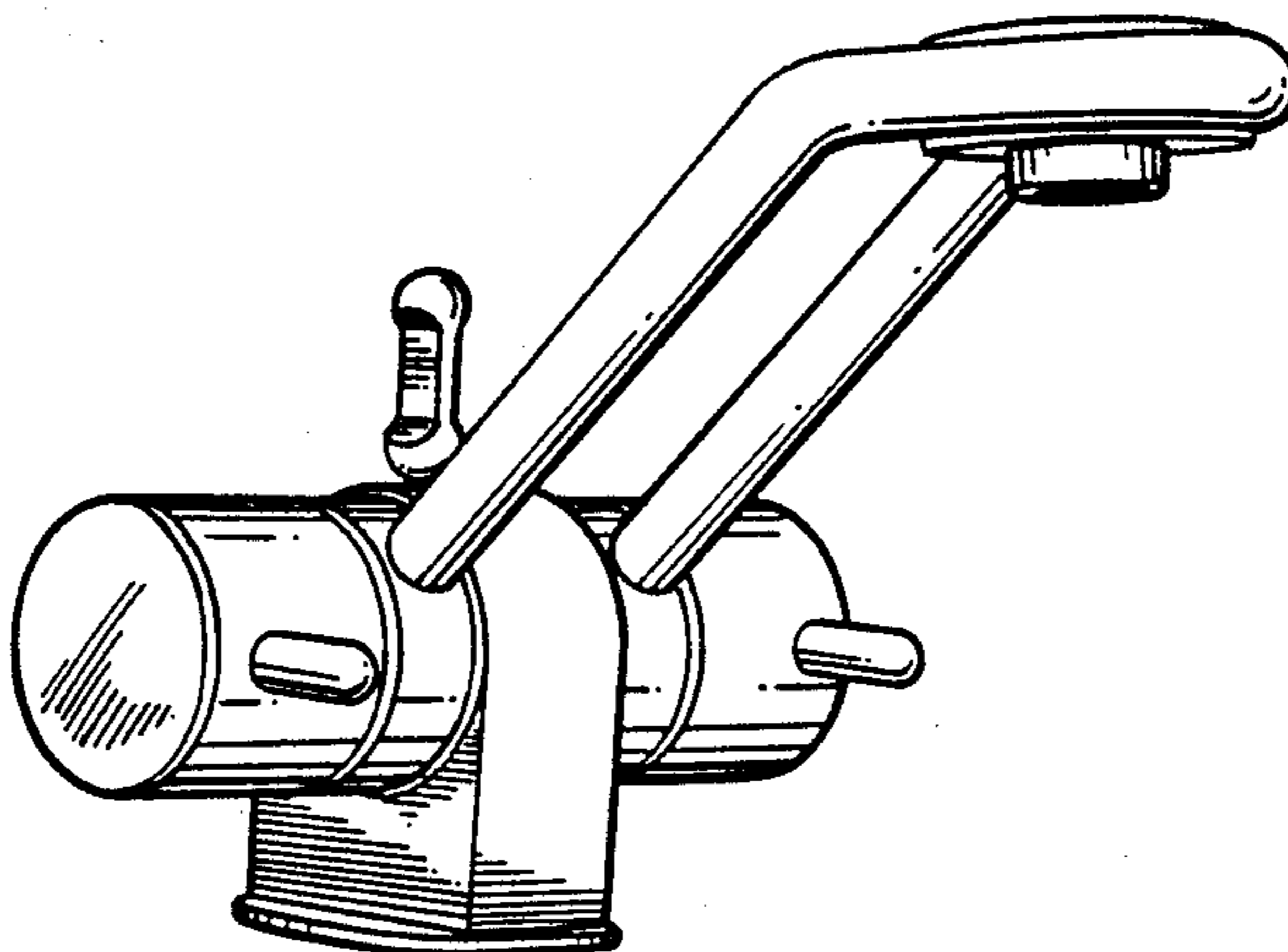
FIG. 2 is a top plan view thereof;

FIG. 3 is a bottom plan view thereof;

FIG. 4 is a left side elevation view thereof, the right side being a mirror image of the left side shown;

FIG. 5 is a front elevational view thereof, and

FIG. 6 is a rear elevational view thereof.



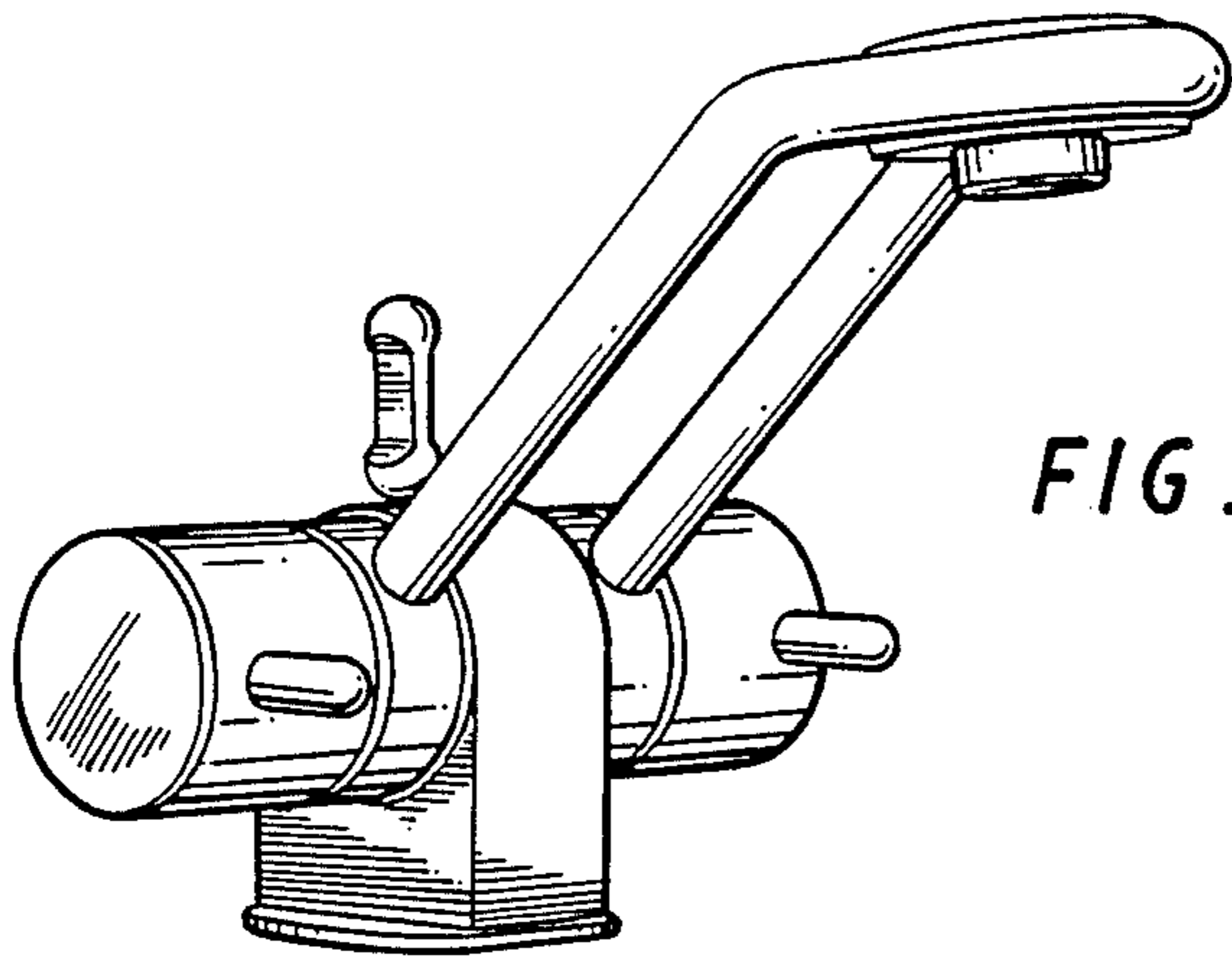


FIG. 1

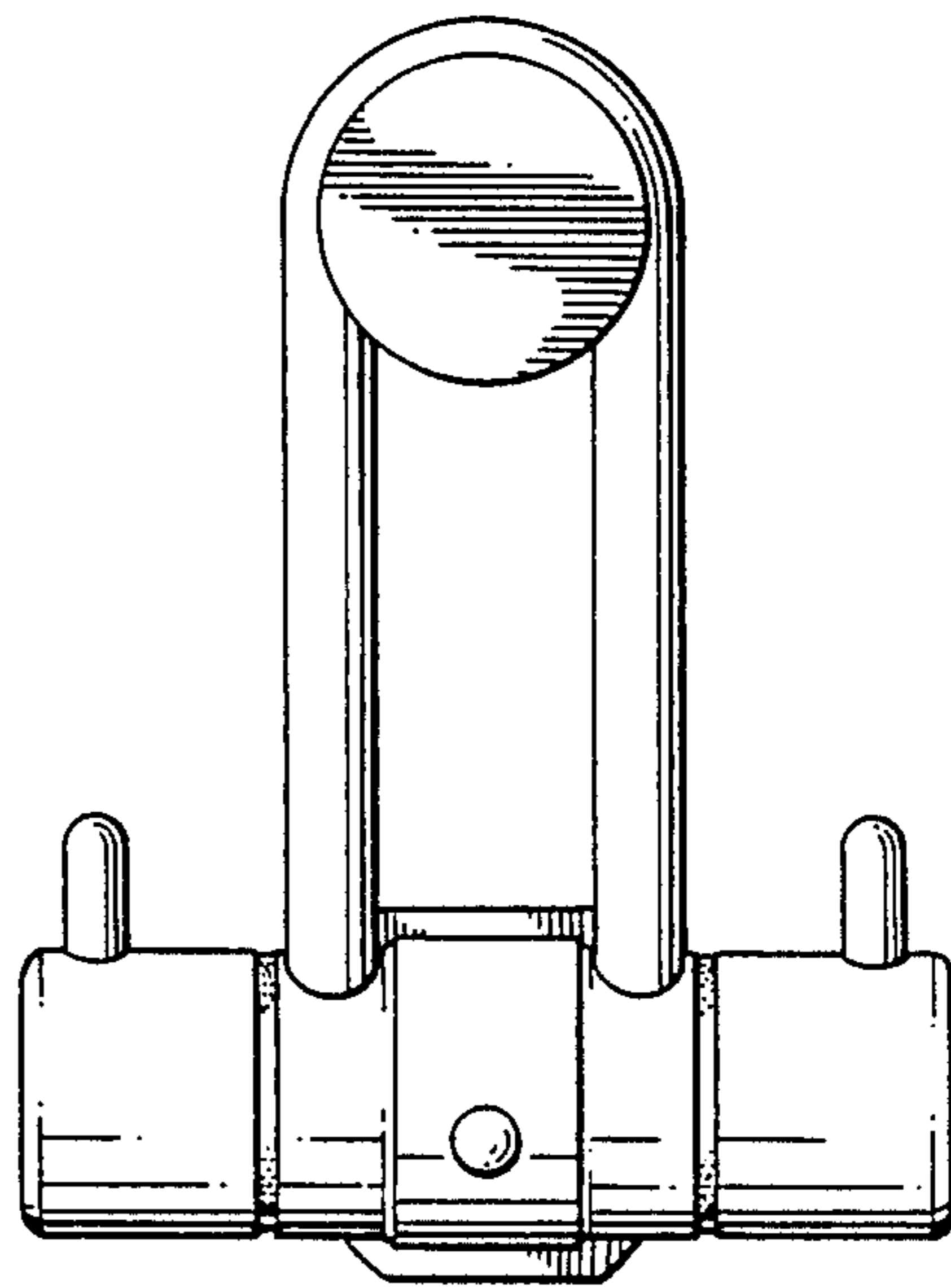


FIG. 2

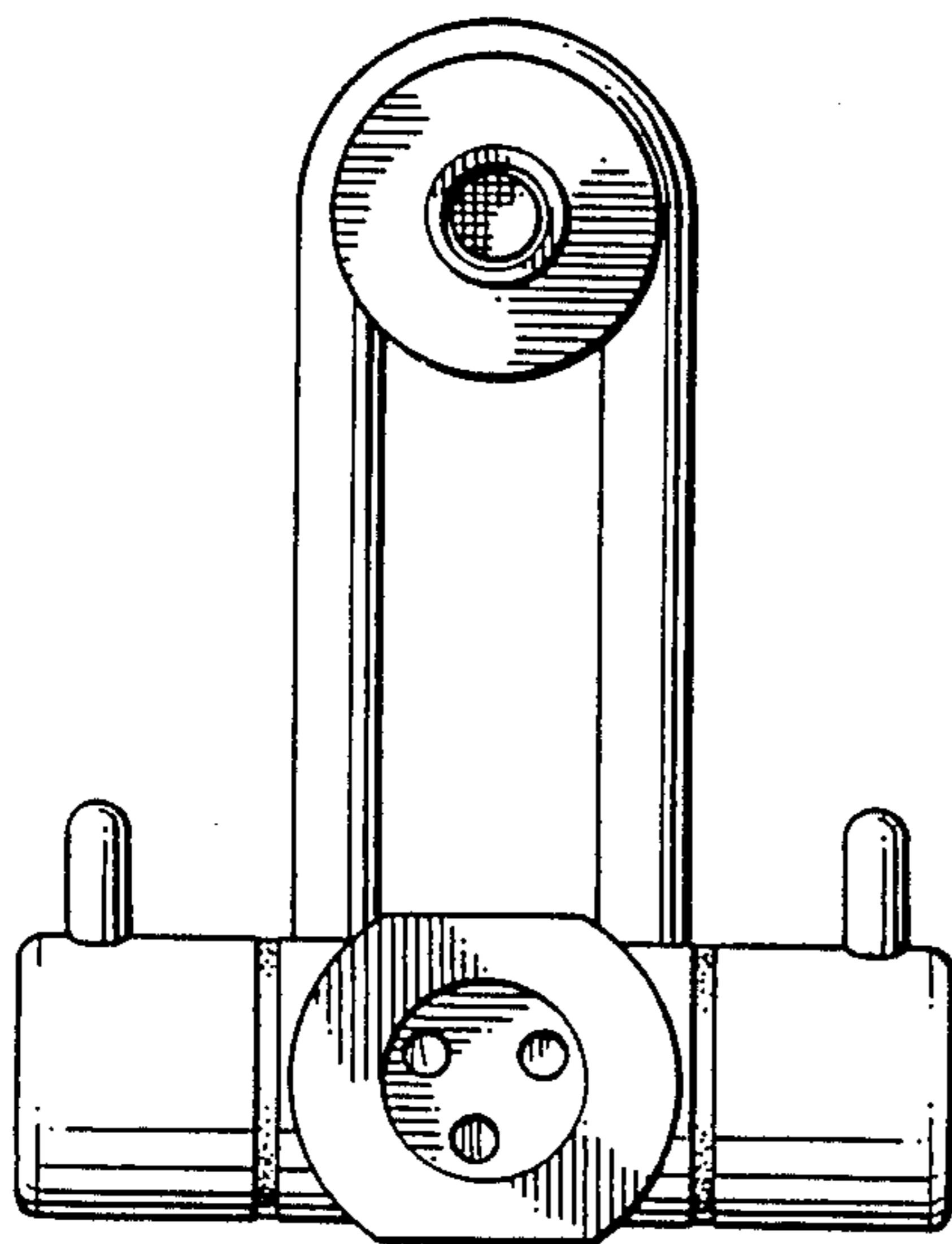


FIG. 3

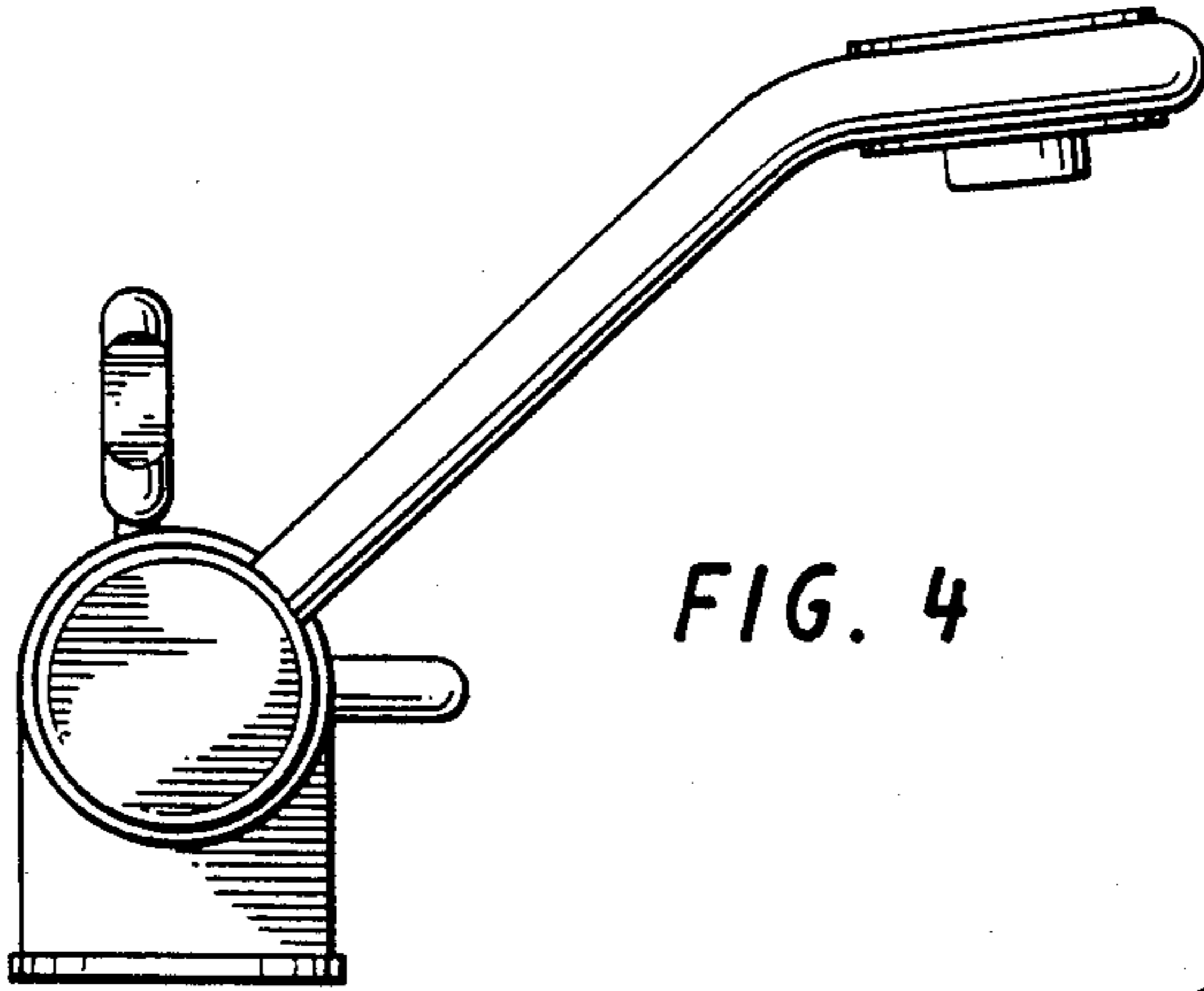


FIG. 4

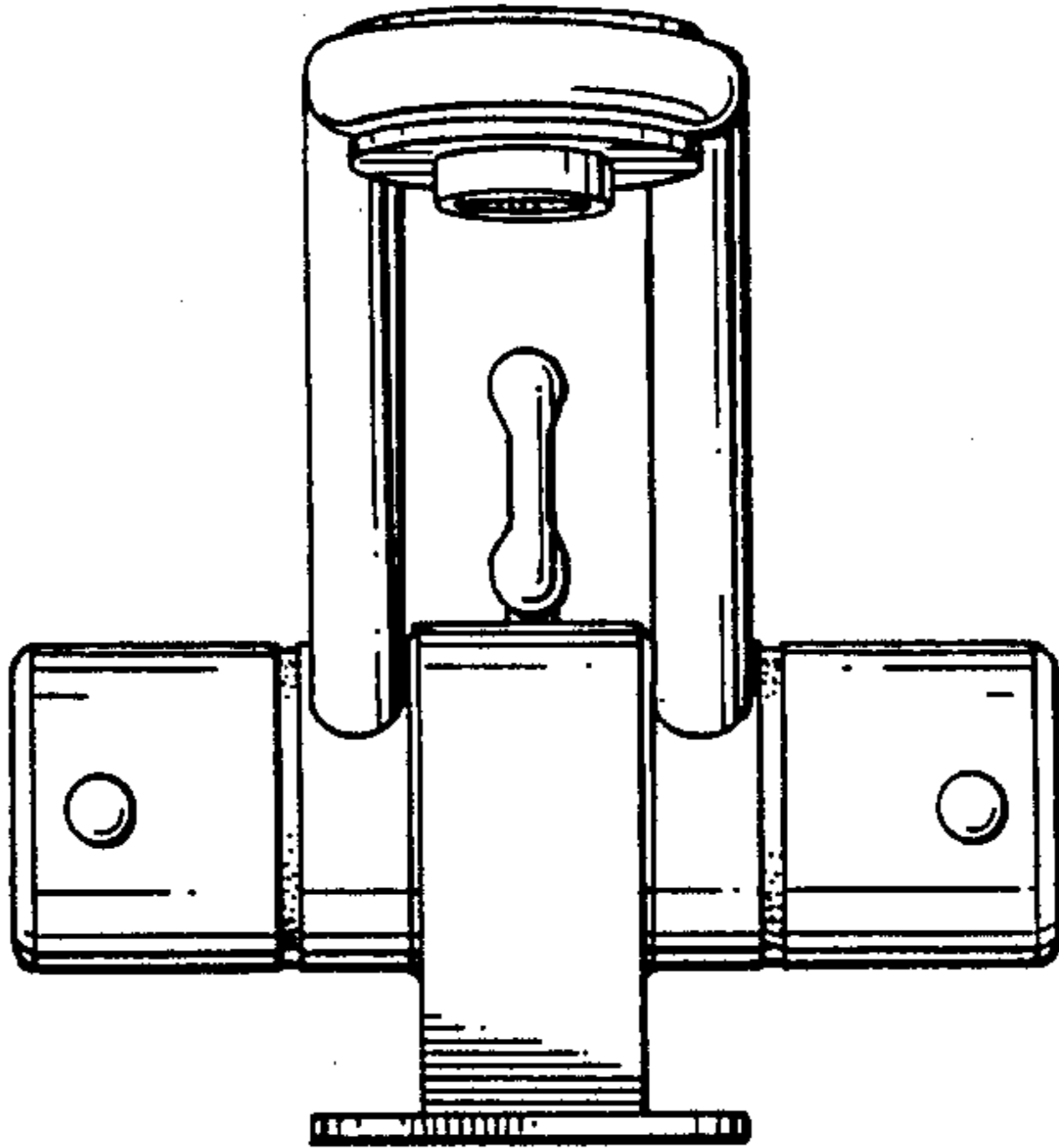


FIG. 5

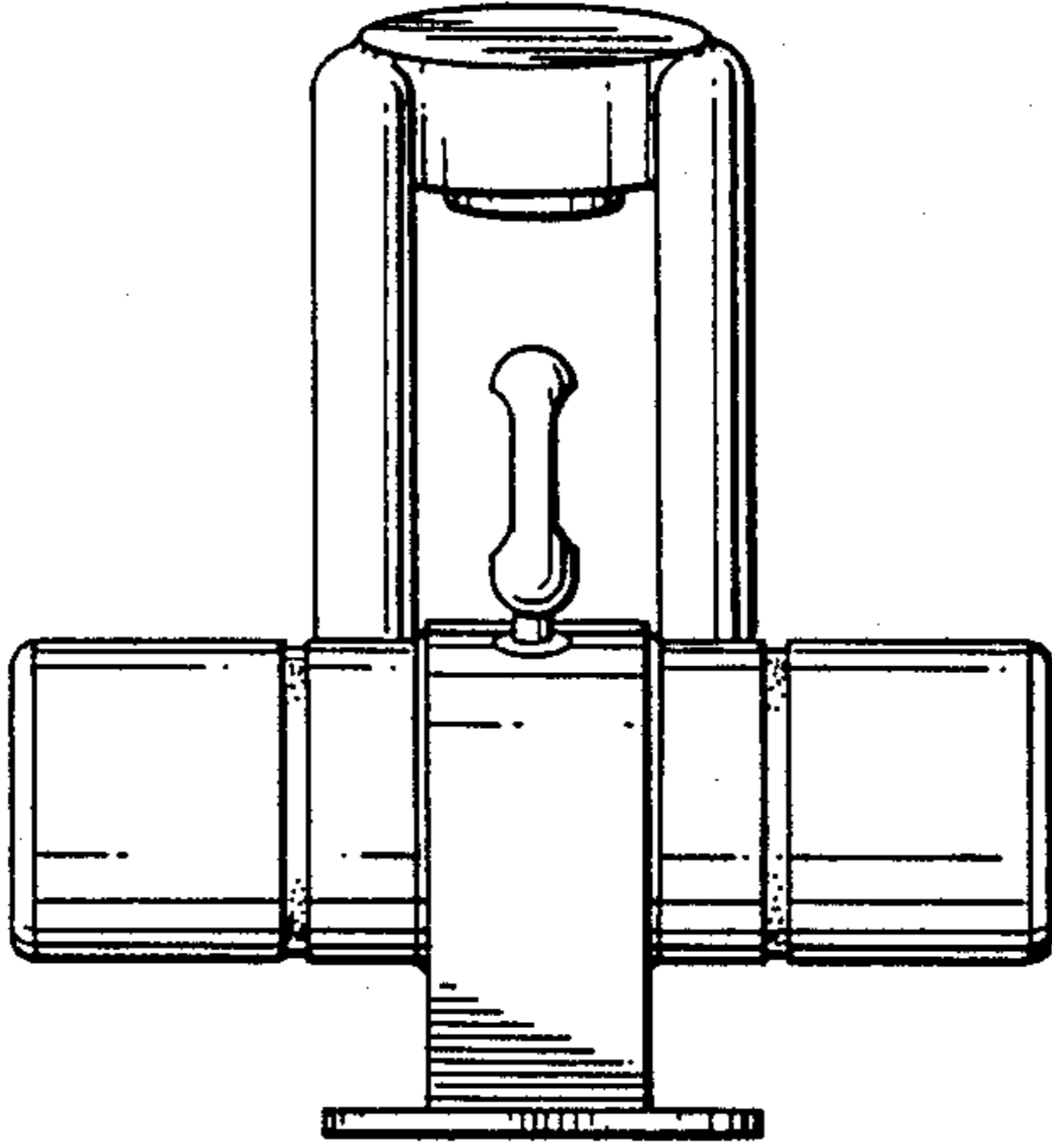


FIG. 6