

United States Patent [19]

Iinuma et al.

[11] **Patent Number: Des. 294,624**

[45] **Date of Patent: ** Mar. 8, 1988**

[54] **FISHING REEL**

[75] **Inventors: Kanji Iinuma; Michinori Yasuda,**
both of Tokyo, Japan

[73] **Assignee: Daiwa Seiko, Inc., Tokyo, Japan**

[**] **Term: 14 Years**

[21] **Appl. No.: 763,719**

[22] **Filed: Aug. 8, 1985**

[30] **Foreign Application Priority Data**

Feb. 15, 1985 [JP] Japan 60-5558
[52] **U.S. Cl. D22/141**
[58] **Field of Search D22/141; 242/84.1 R,**
242/84.2 R, 84.2 A

[56] **References Cited**

U.S. PATENT DOCUMENTS

D. 254,927 5/1980 Morishita D22/141

D. 273,219 3/1984 Iinuma D22/141
D. 273,221 3/1984 Iinuma D22/141

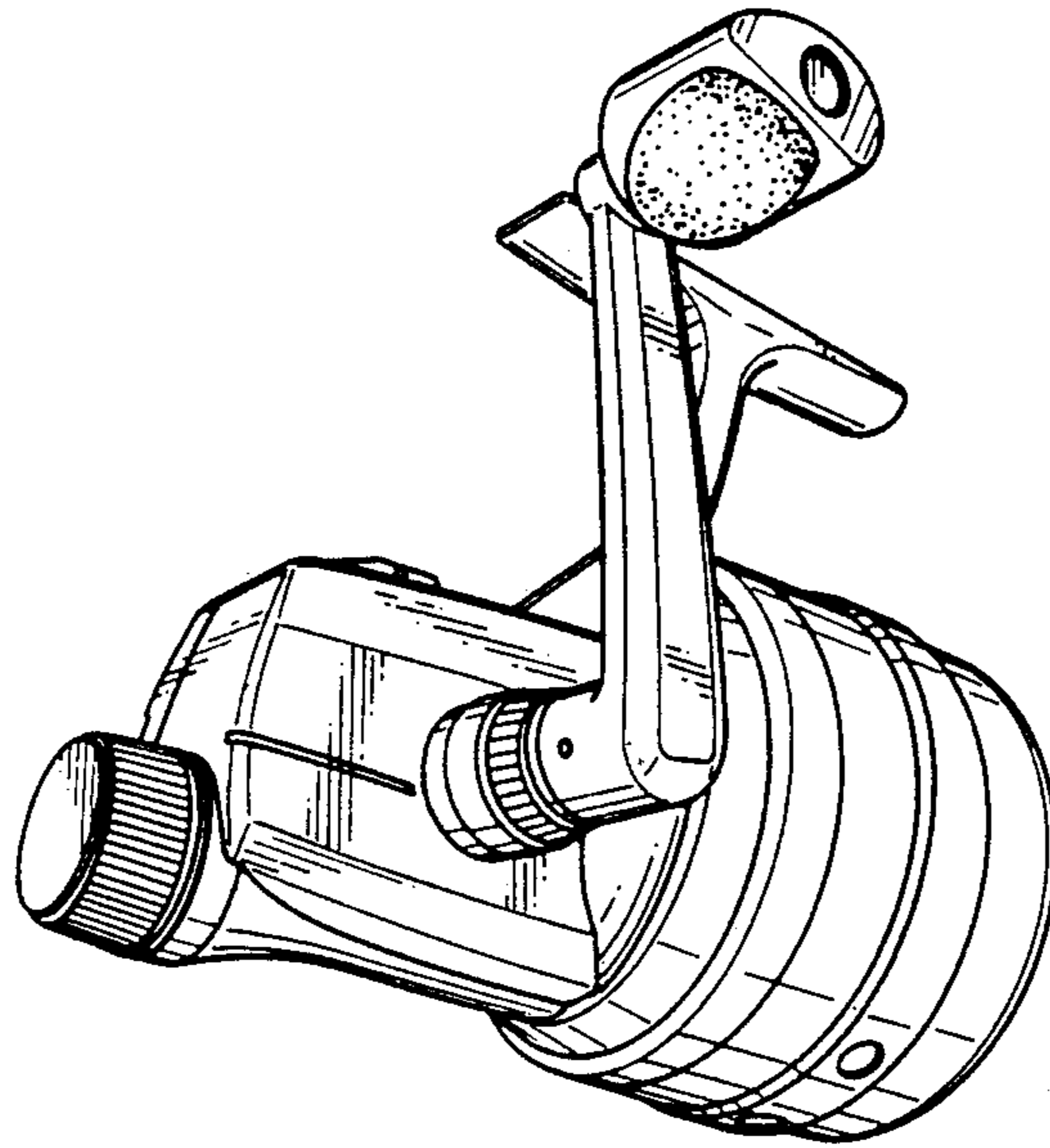
Primary Examiner—A. Hugo Word
Attorney, Agent, or Firm—Cushman, Darby & Cushman

[57] **CLAIM**

The ornamental design for a fishing reel, substantially as shown.

DESCRIPTION

FIG. 1 is a bottom, rear and one side perspective view of a fishing reel showing our new design;
FIG. 2 is a bottom, front and one side perspective view thereof;
FIG. 3 is a side elevation view of one side thereof;
FIG. 4 is a side elevation view of the opposite side thereof;
FIG. 5 is a front elevation view thereof;
FIG. 6 is a rear elevation view thereof;
FIG. 7 is a top plan view thereof; and
FIG. 8 is a bottom plan view thereof.



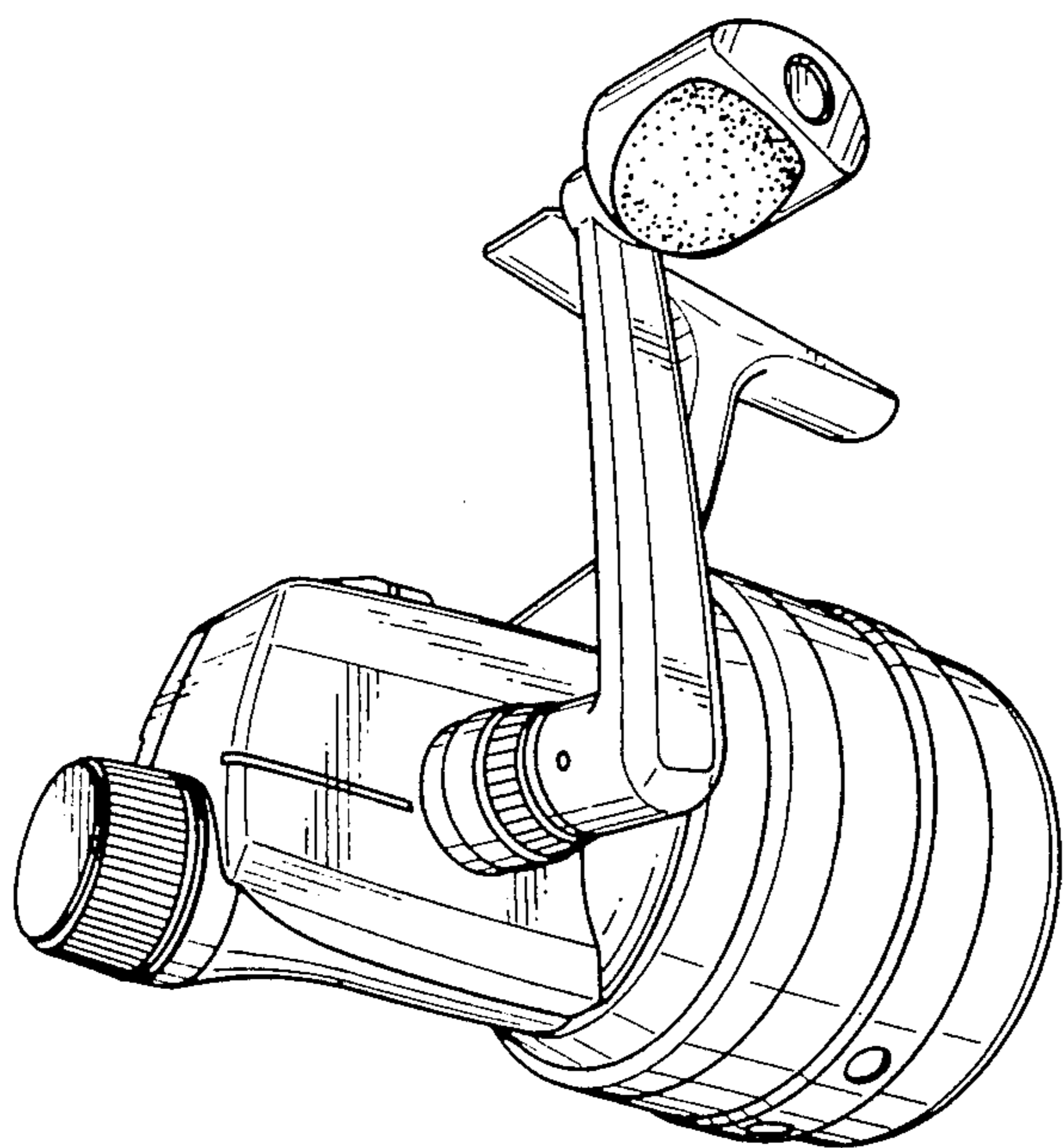


Fig. 1

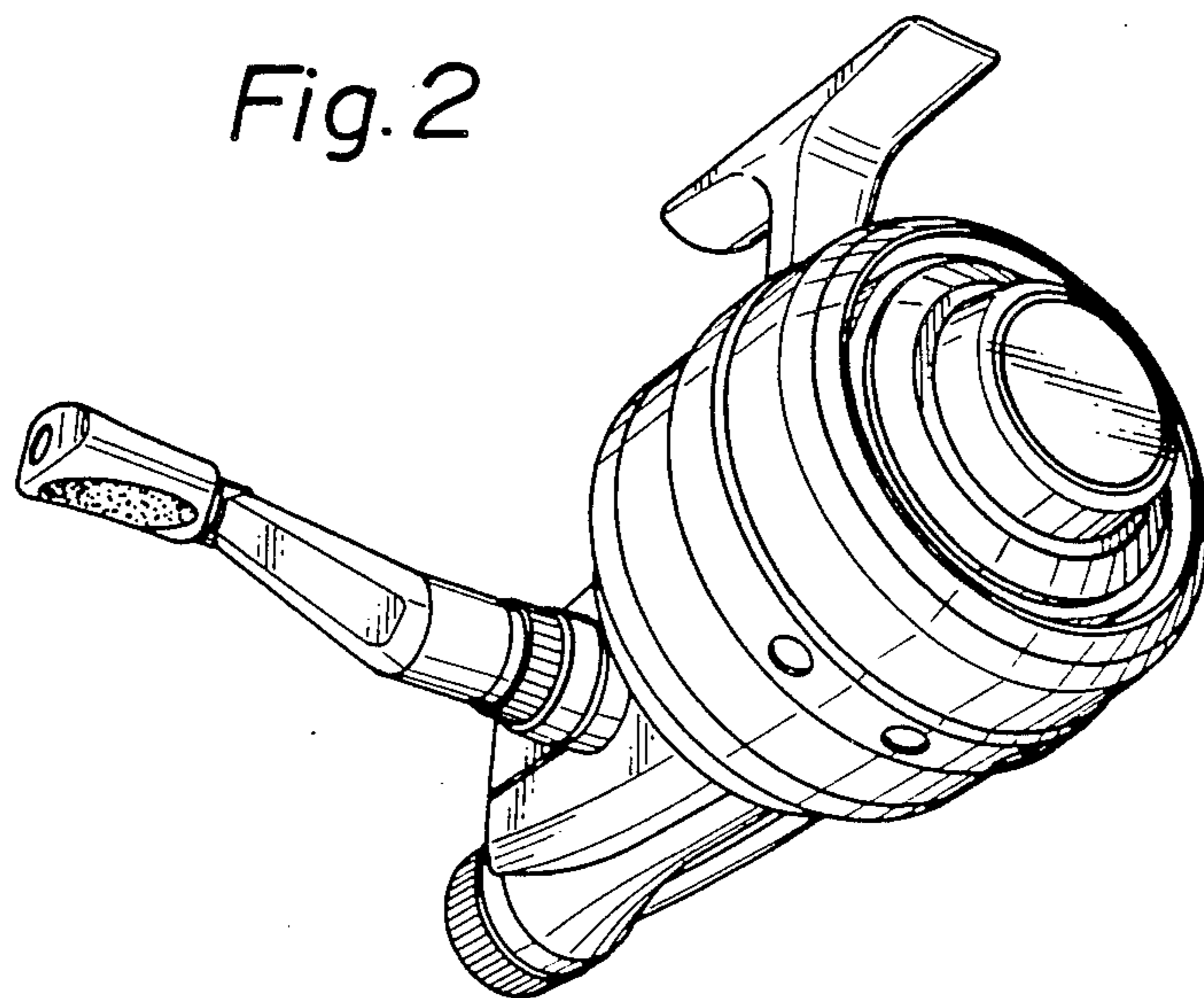


Fig. 2

Fig. 3

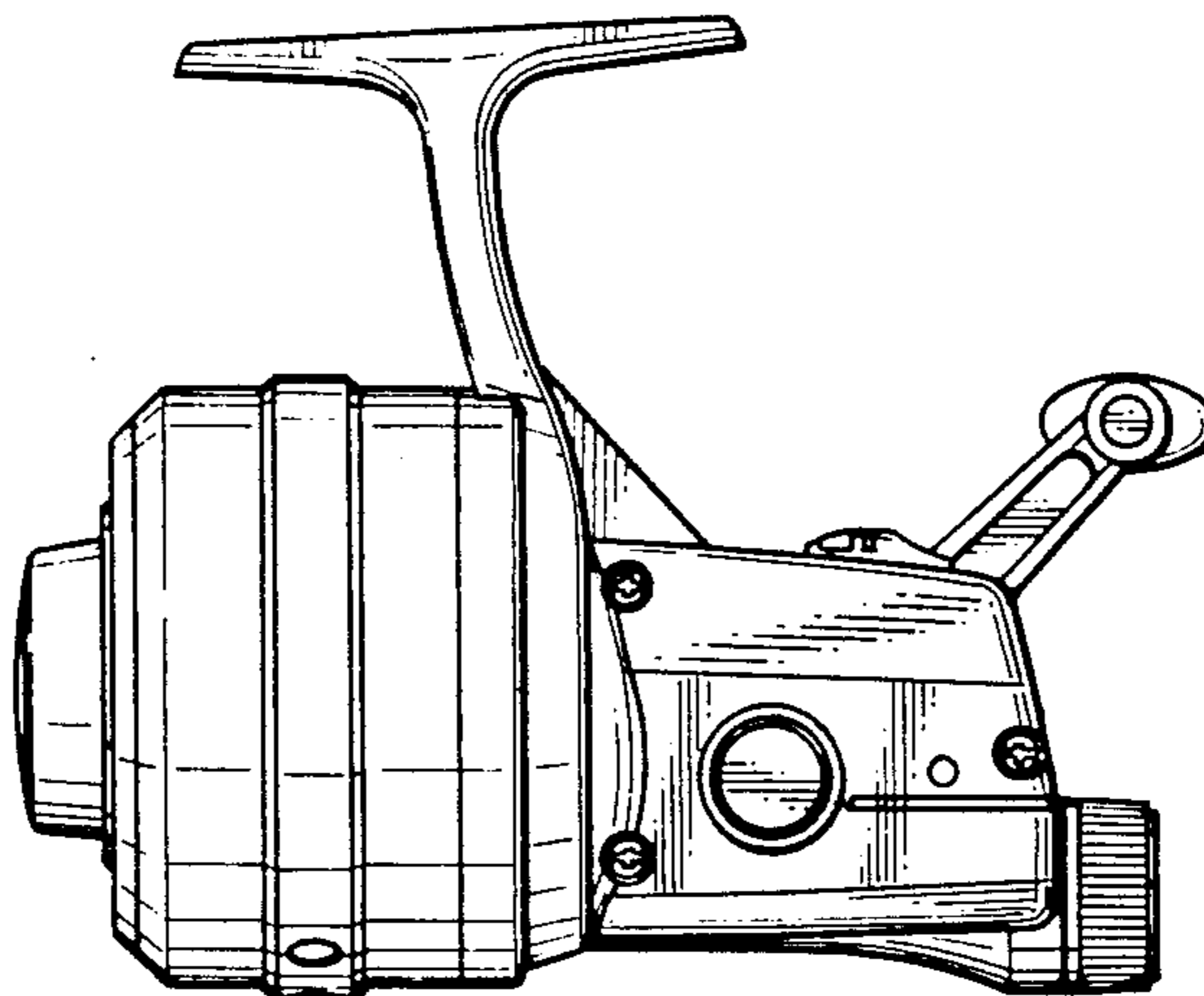


Fig. 4

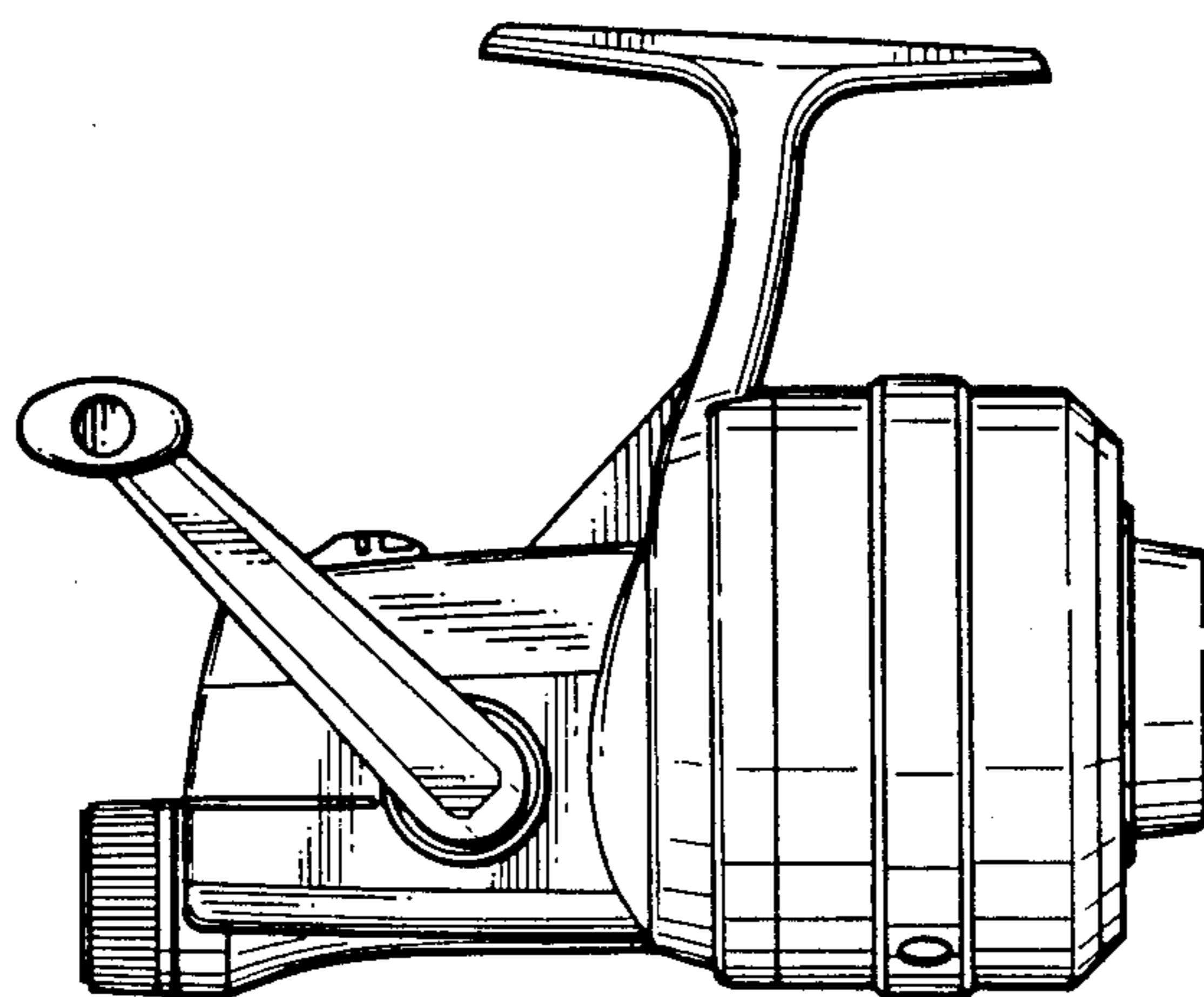


Fig. 5

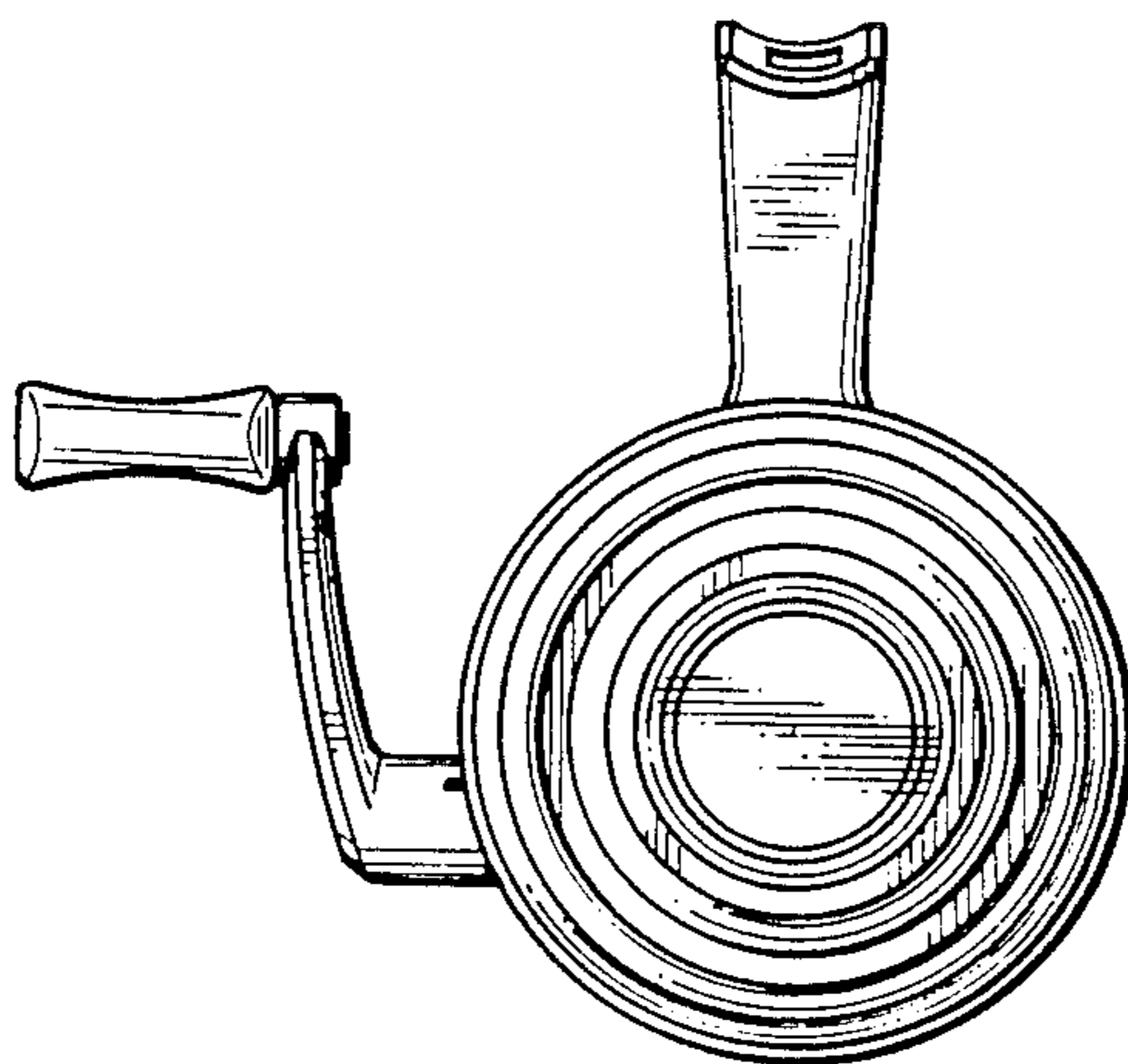


Fig. 6

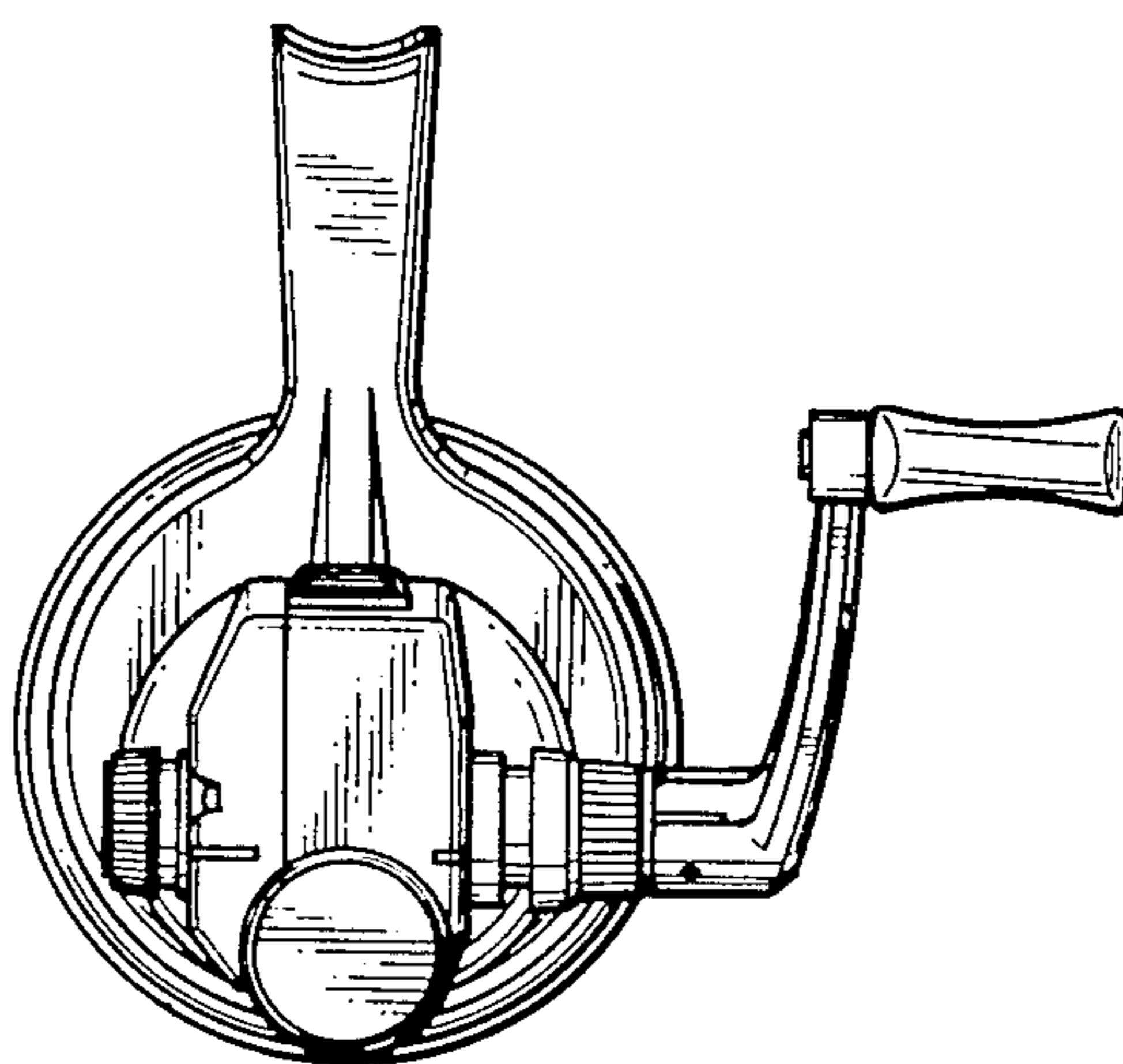


Fig. 7

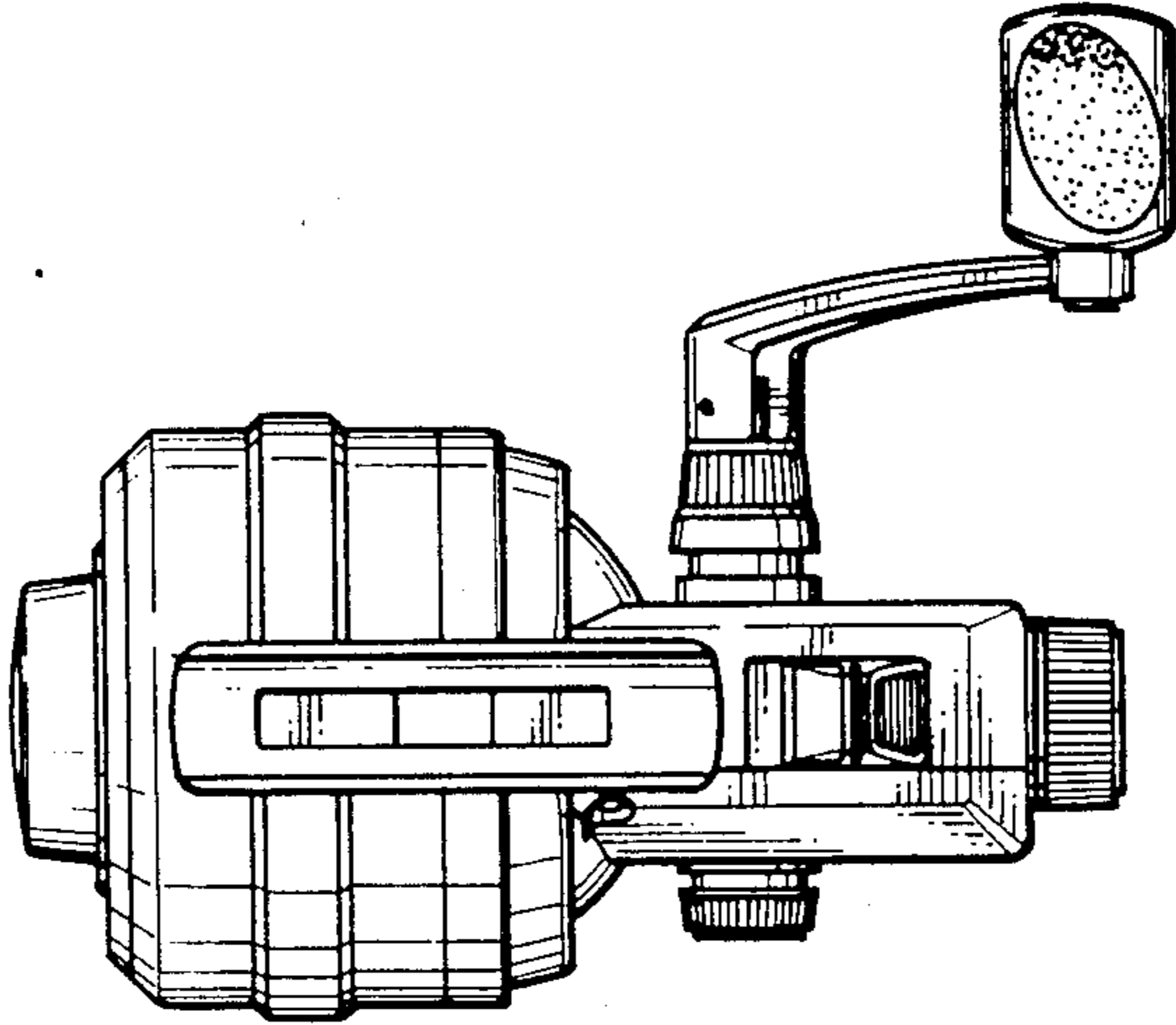


Fig. 8

