

[54] **FISHING REEL**

[75] **Inventors: Masakazu Sakamoto; Teruhisa Numata, both of Tokyo, Japan**

[73] **Assignee: Ryobi Ltd., Hiroshima, Japan**

[**] **Term: 14 Years**

[21] **Appl. No.: 805,168**

[22] **Filed: Nov. 20, 1985**

[30] **Foreign Application Priority Data**

May 20, 1985 [JP]	Japan	60-20900
[52] U.S. Cl.		D22/141
[58] Field of Search	D22/141; 242/84.1 R,	242/84.2 R, 84.2 P

[56]

References Cited

U.S. PATENT DOCUMENTS

D. 254,927	5/1980	Morishita	D22/141
D. 273,221	3/1984	Iinuma	D22/141

Primary Examiner—A. Hugo Word
Attorney, Agent, or Firm—Sughrue, Mion, Zinn, Macpeak & Seas

[57]

CLAIM

The ornamental design for a fishing reel, as shown.

DESCRIPTION

FIG. 1 is a front, top, and left side perspective view of a fishing reel showing our new design;
 FIG. 2 is a rear, top and right side perspective view thereof;
 FIG. 3 is a right side elevational view thereof;
 FIG. 4 is a left side elevational view thereof;
 FIG. 5 is a front elevational view thereof;
 FIG. 6 is a rear elevational view thereof;
 FIG. 7 is a top plan view thereof; and
 FIG. 8 is a bottom plan view thereof.

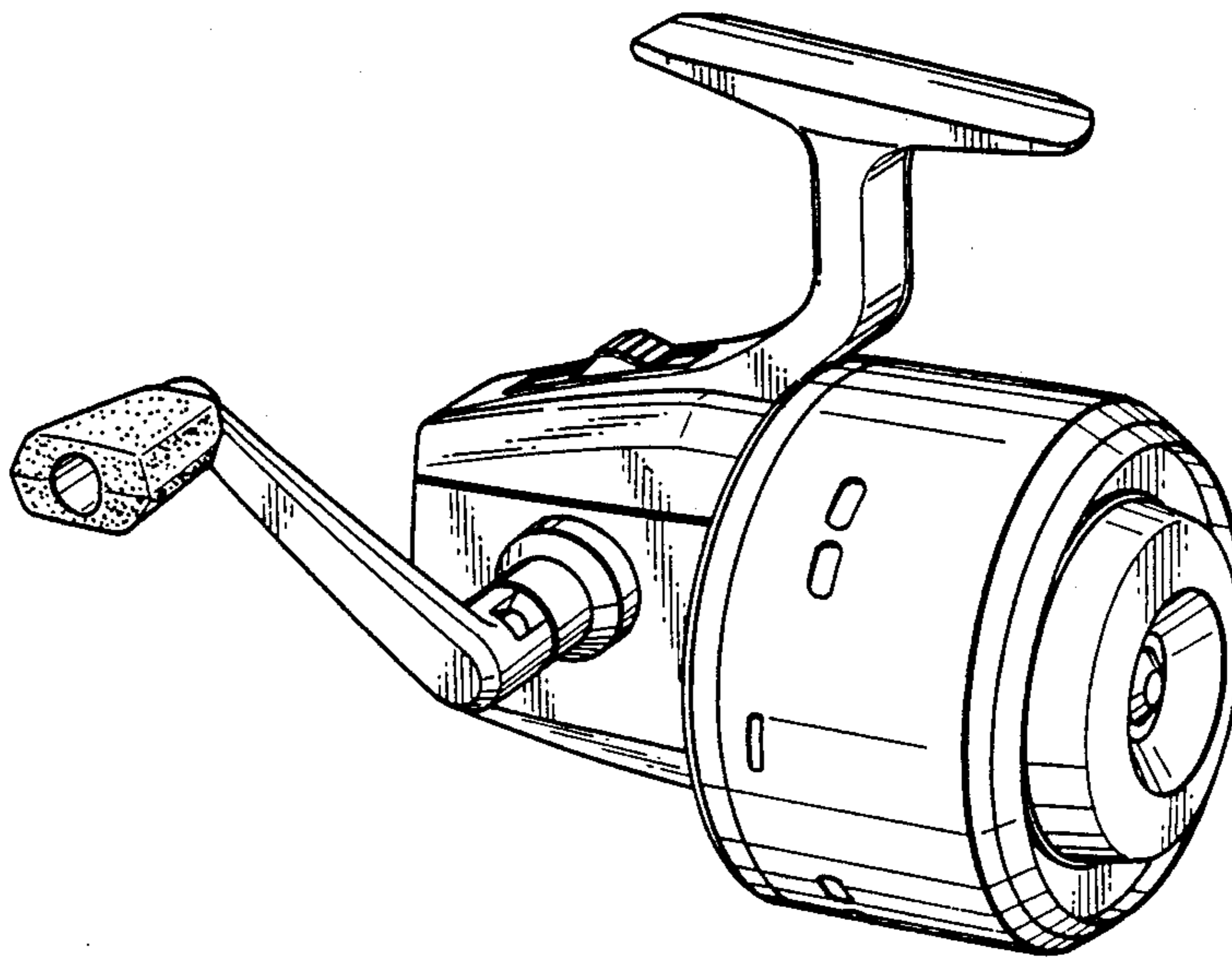


Fig. 1

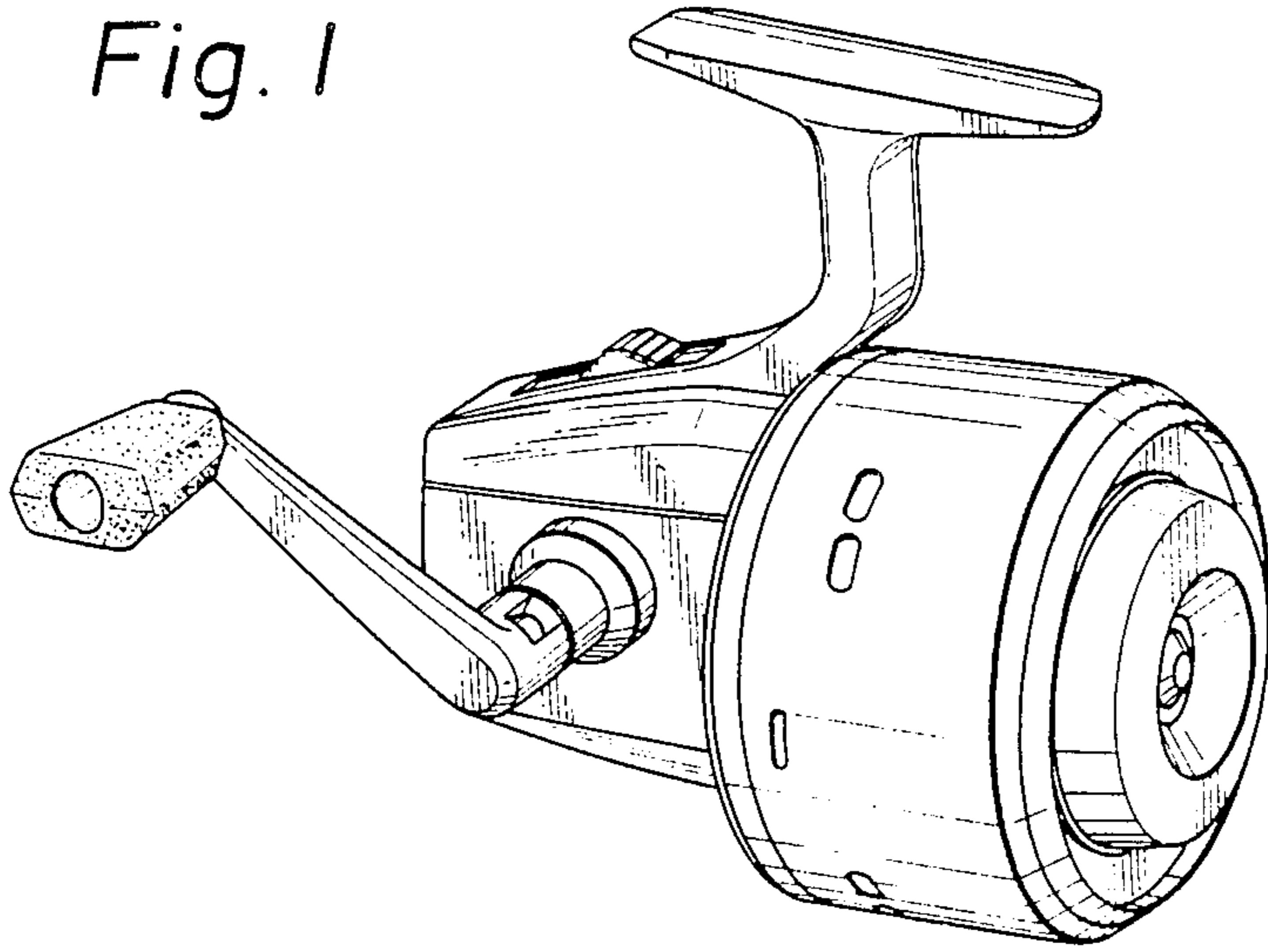


Fig. 2

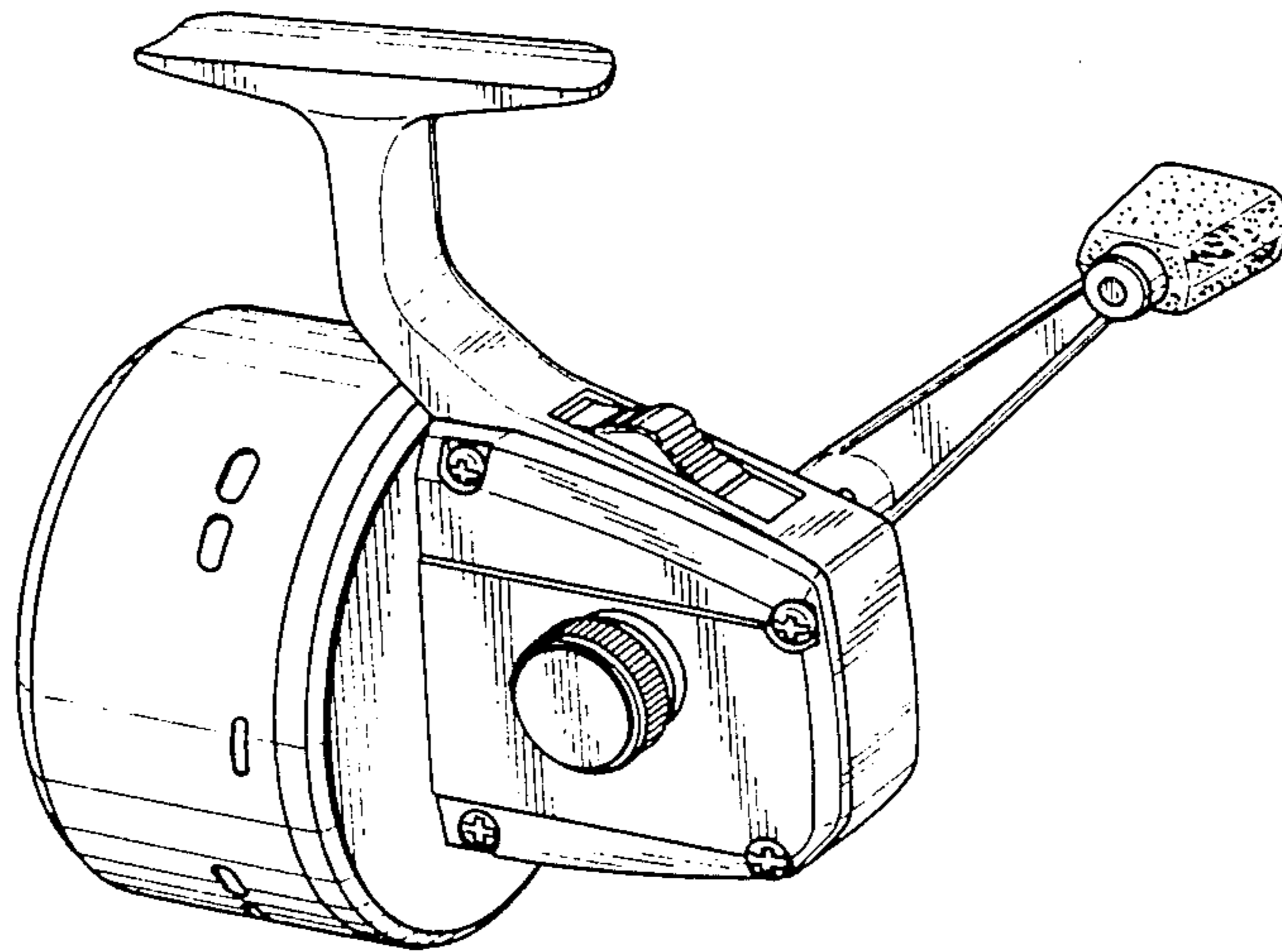


Fig. 3

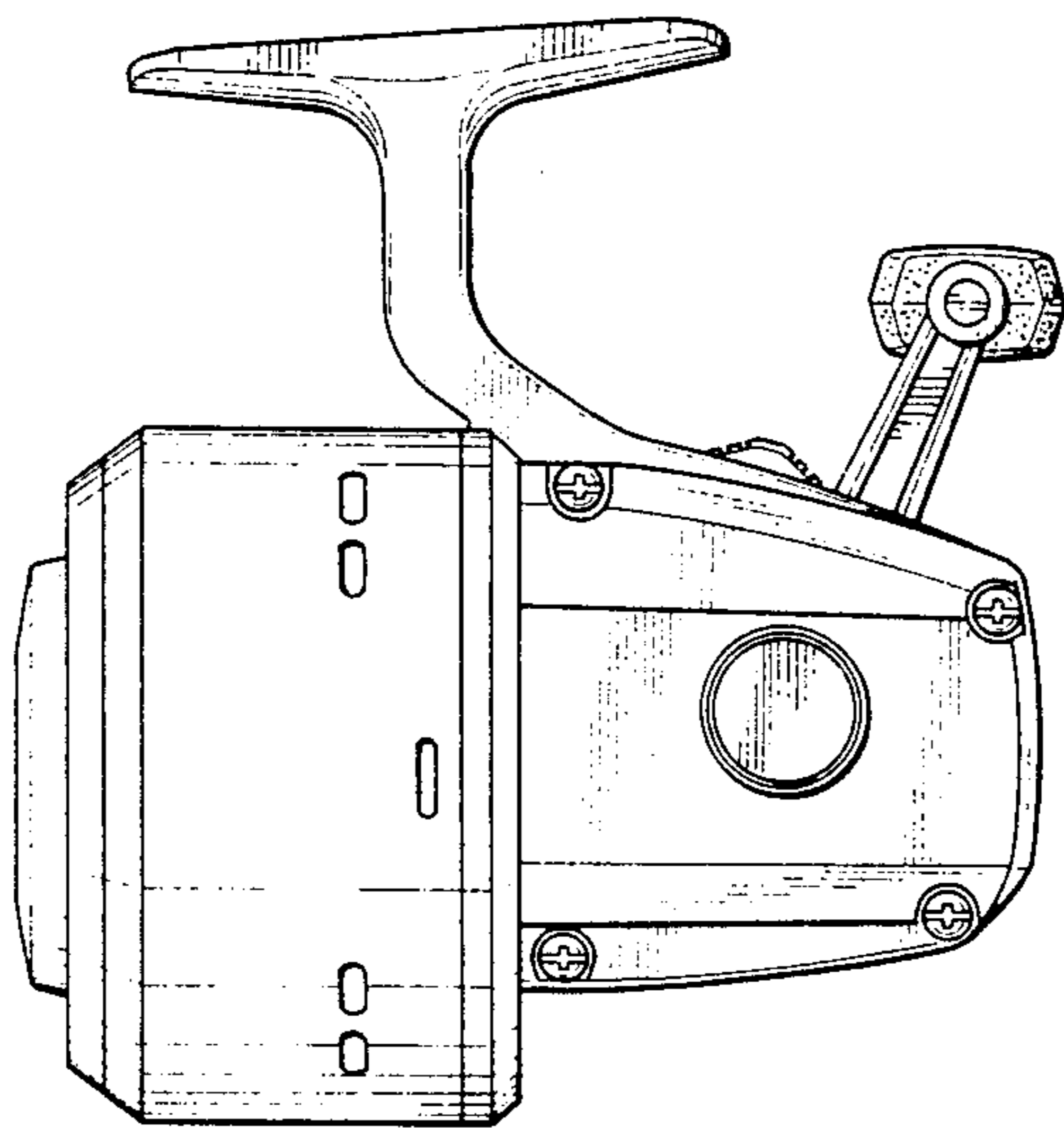


Fig. 4

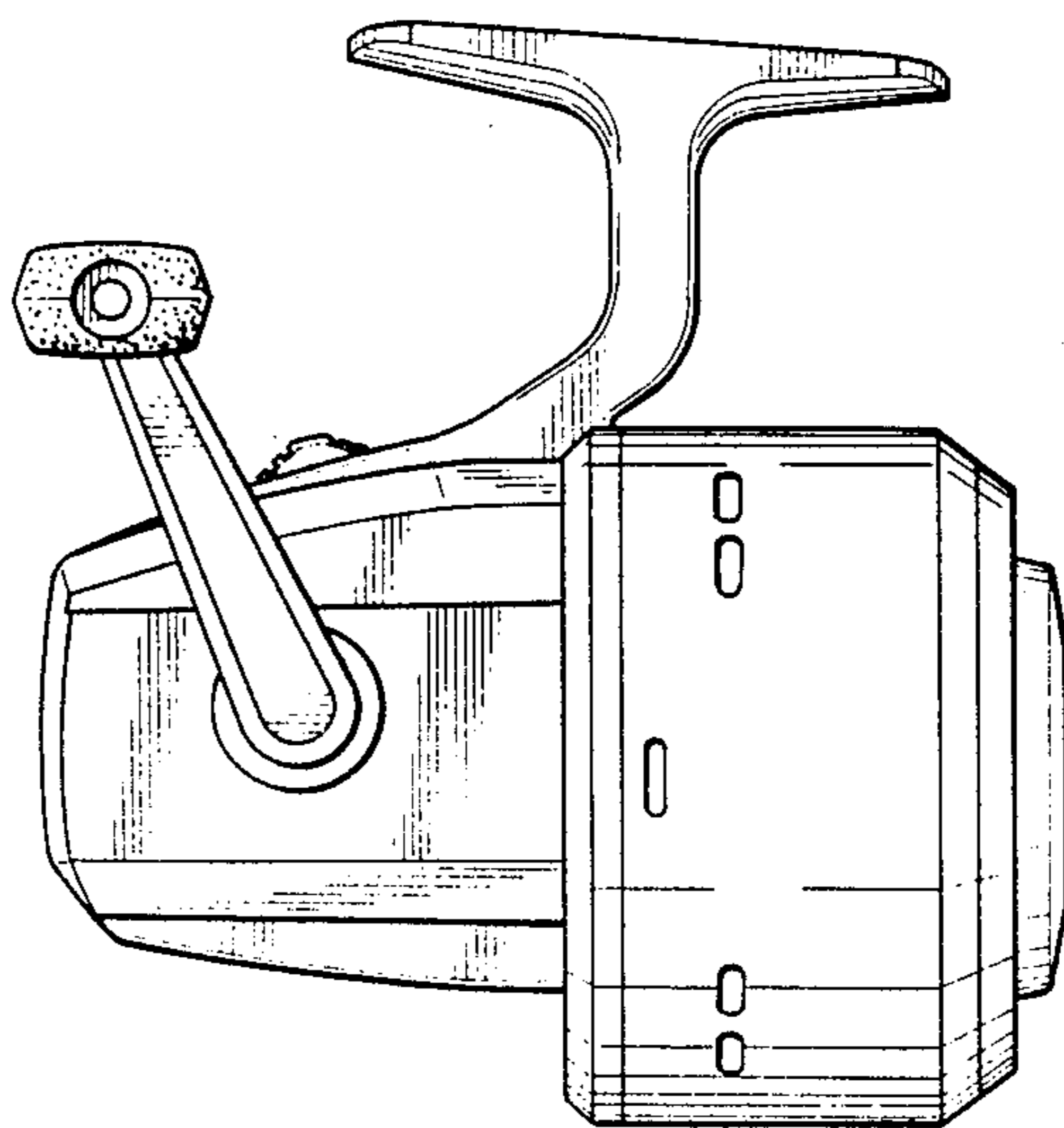


Fig. 5

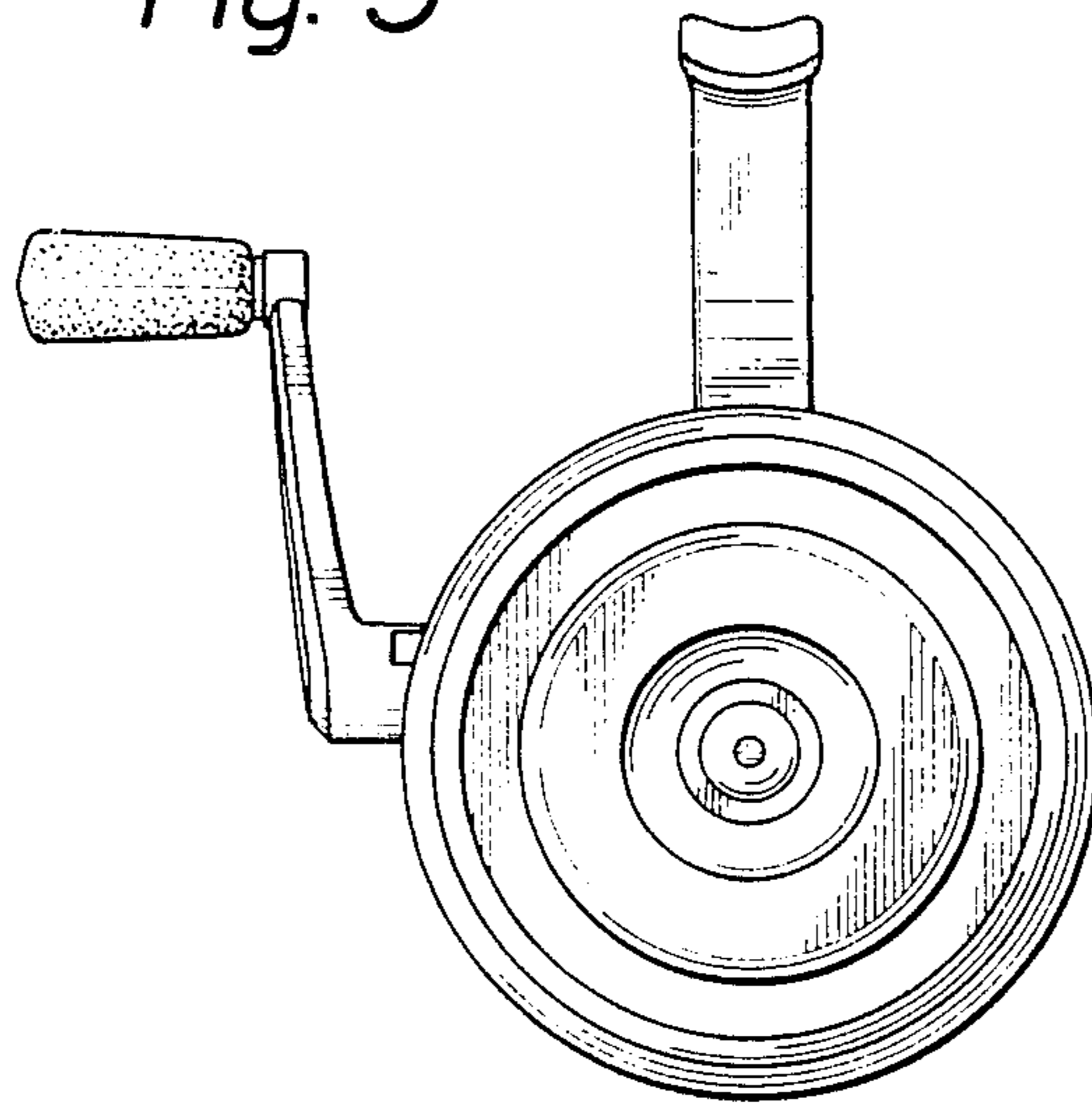


Fig. 6

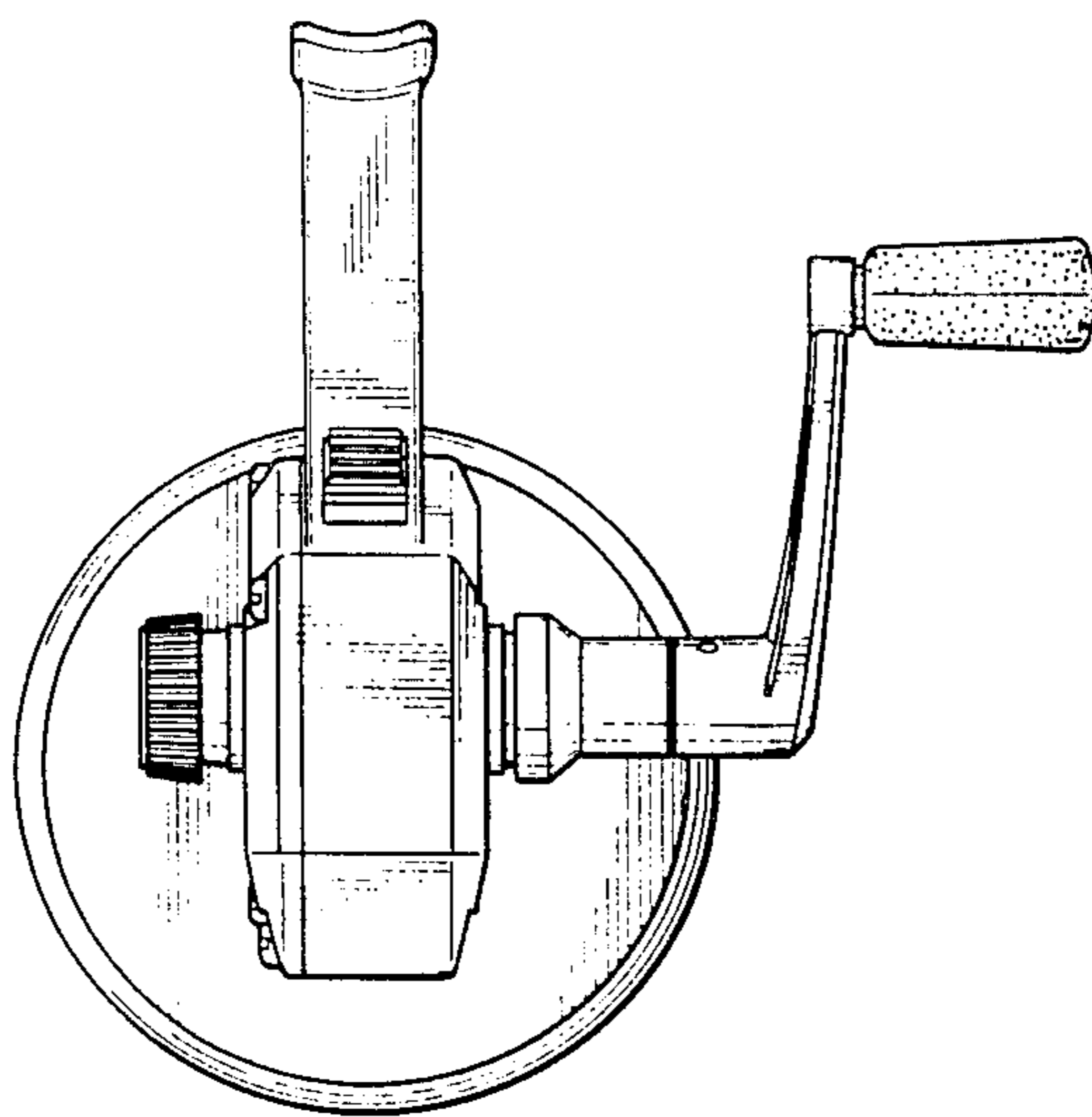


Fig. 7

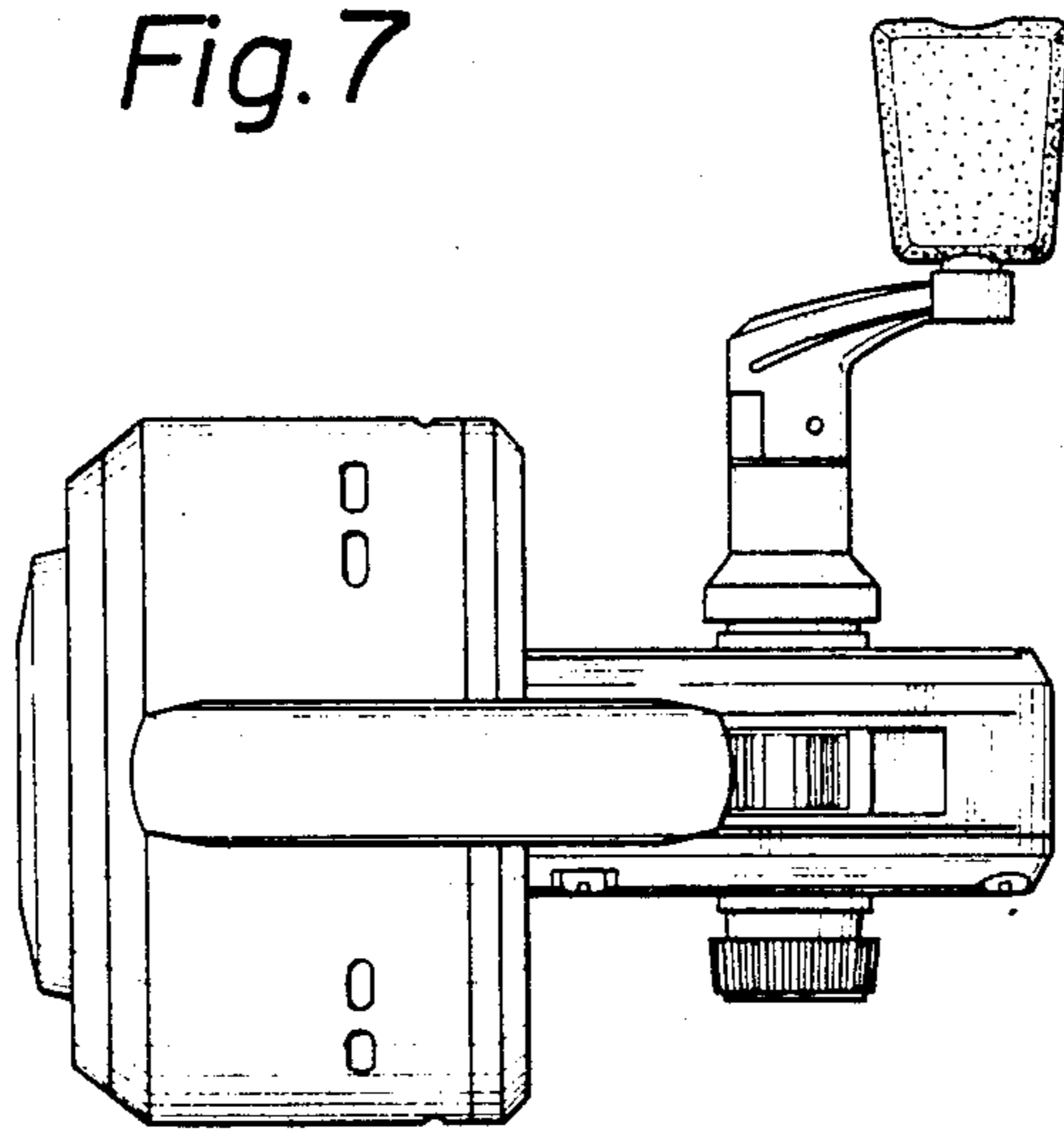


Fig. 8

