

United States Patent [19]

Myojo

[11] Patent Number: Des. 294,622

[45] Date of Patent: ** Mar. 8, 1988

[54] FISHING REEL

[75] Inventor: Seiji Myojo, Sakai, Japan

[73] Assignee: Shimano Industrial Company Limited, Osaka, Japan

[**] Term: 14 Years

[21] Appl. No.: 806,229

[22] Filed: Nov. 22, 1985

[30] Foreign Application Priority Data

May 30, 1985 [JP] Japan 60-22642

[52] U.S. Cl. D22/141

[58] Field of Search D22/141; 242/84.1 R, 242/84.2 R, 84.2 A

[56] References Cited

U.S. PATENT DOCUMENTS

D. 257,445 10/1980 Sakamoto et al. D22/141
D. 260,804 9/1981 Sakamoto et al. D22/141
D. 269,031 5/1983 Kanamaru et al. D22/141
D. 270,934 10/1983 Inuma D22/141

Primary Examiner—A. Hugo Word
Attorney, Agent, or Firm—Stevens, Davis, Miller & Mosher

[57] CLAIM

The ornamental design for a fishing reel, as shown.

DESCRIPTION

FIG. 1 is a front perspective view from left side of a fishing reel showing my new design;

FIG. 2 is a rear perspective view from left side thereof;

FIG. 3 is a left side elevational view thereof; and

FIG. 4 is a bottom view thereof.

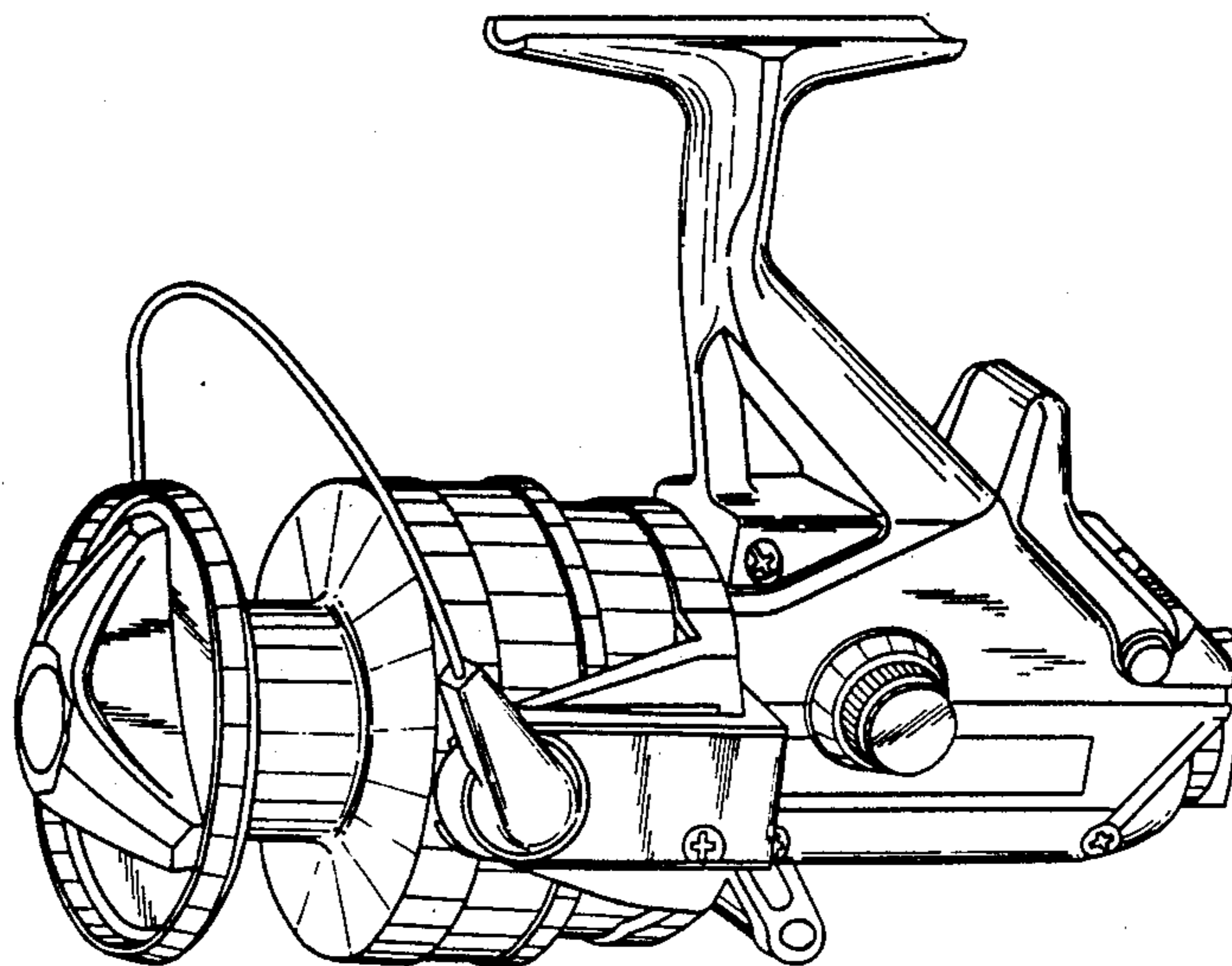


FIG. 1

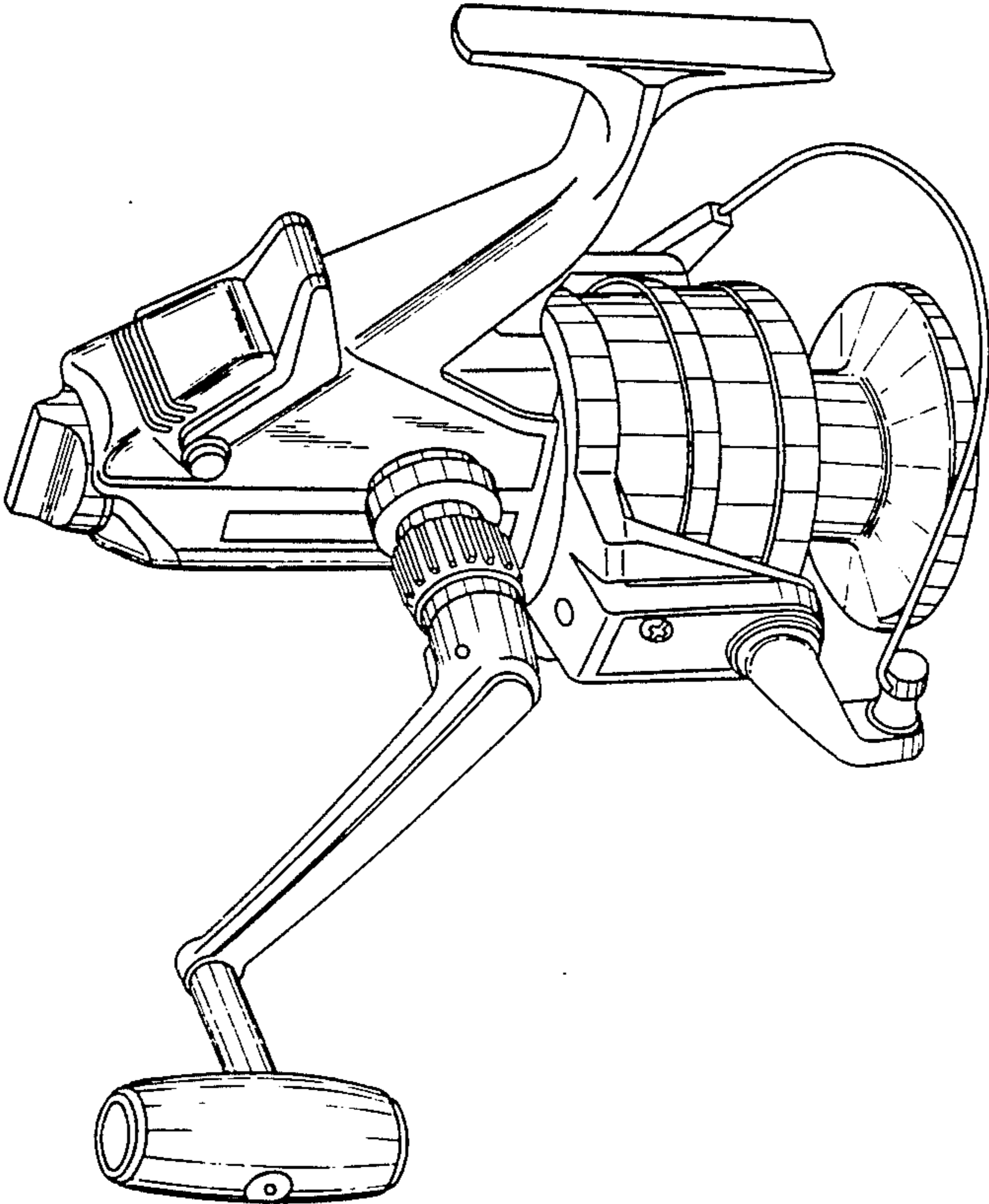


FIG. 2

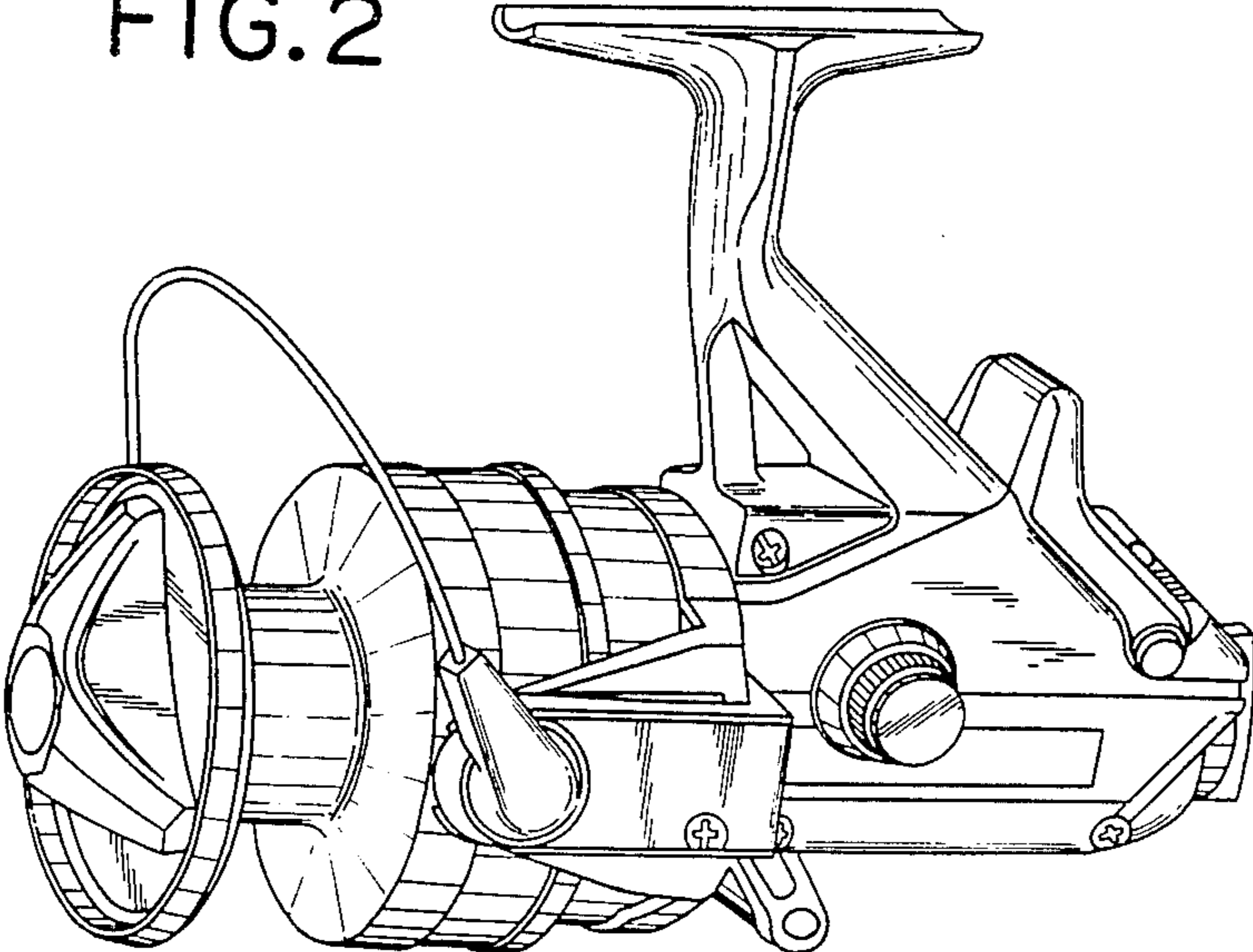


FIG. 3

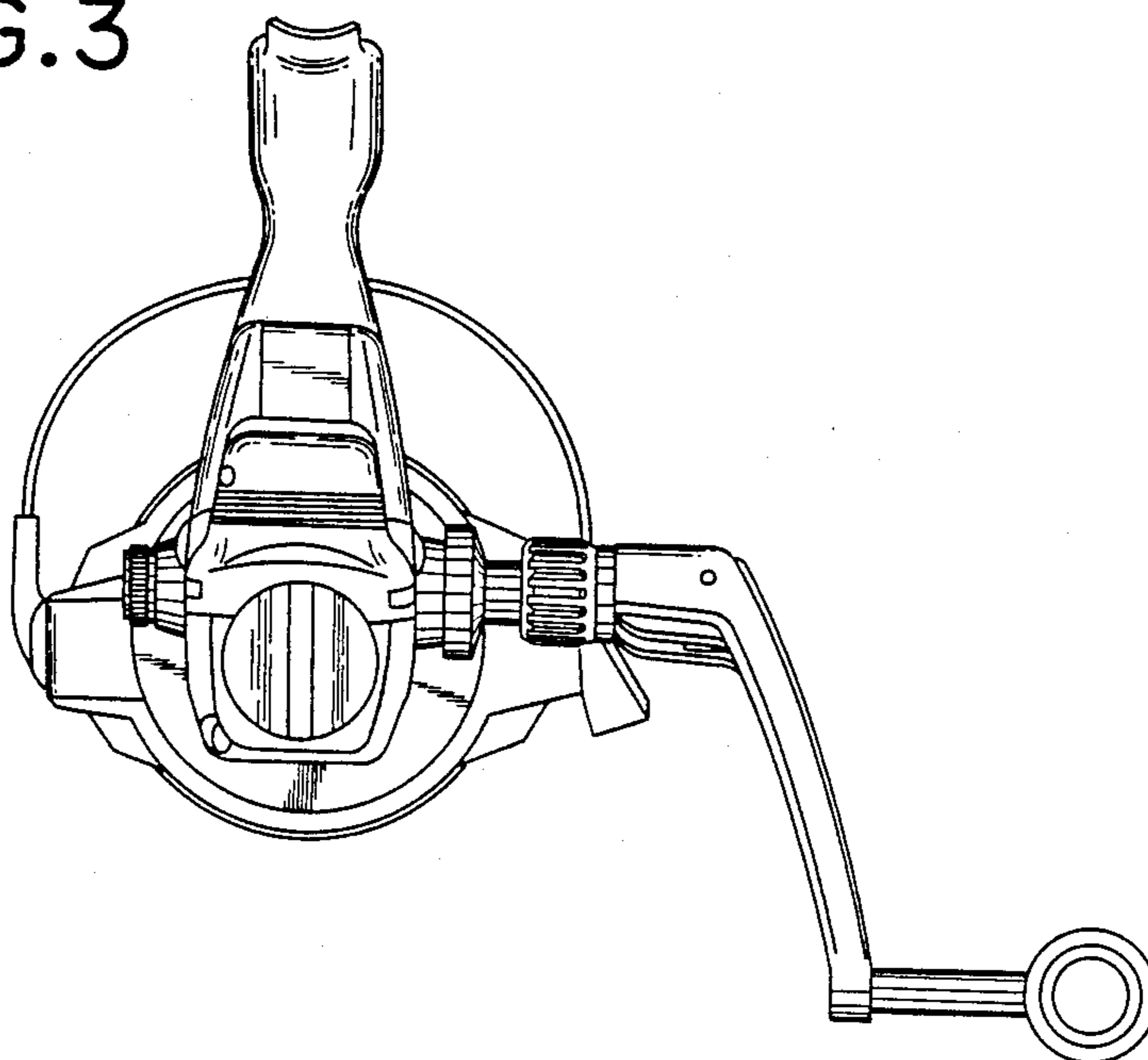


FIG. 4

