

[54] **FISHING REEL**

[75] **Inventor: Seiji Myojo, Sakai, Japan**

[73] **Assignee: Shimano Industrial Company Limited, Osaka, Japan**

[**] **Term: 14 Years**

[21] **Appl. No.: 806,230**

[22] **Filed: Nov. 22, 1985**

[30] **Foreign Application Priority Data**

May 30, 1985 [JP] Japan 60-22641
[52] **U.S. Cl. D22/141**
[58] **Field of Search D22/141; 242/84.1 R,
242/84.2 R, 84.2 A**

[56]

References Cited

U.S. PATENT DOCUMENTS

D. 257,445 10/1980 Sakamoto et al. D22/141
D. 260,804 9/1981 Sakamoto et al. D22/141
D. 269,031 5/1983 Kanamaru et al. D22/141
D. 270,934 10/1983 Iinuma D22/141

Primary Examiner—A. Hugo Word
Attorney, Agent, or Firm—Stevens, Davis, Miller & Mosher

[57]

CLAIM

The ornamental design for a fishing reel, as shown.

DESCRIPTION

FIG. 1 is a front perspective view from left side of a fishing reel showing my new design;
FIG. 2 is a rear perspective view from left side thereof;
FIG. 3 is a left side elevational view thereof; and
FIG. 4 is a bottom view thereof.

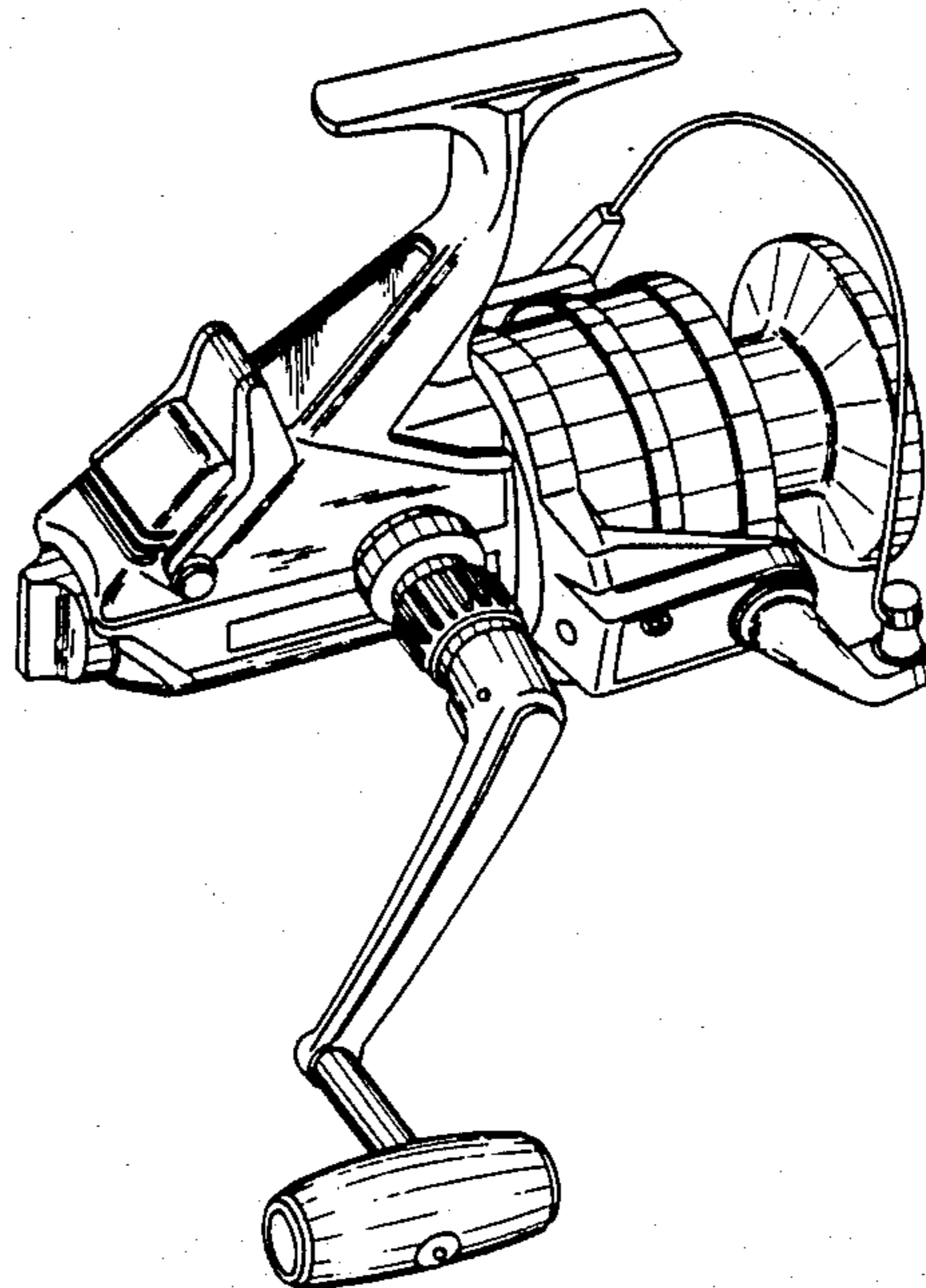


FIG. 1

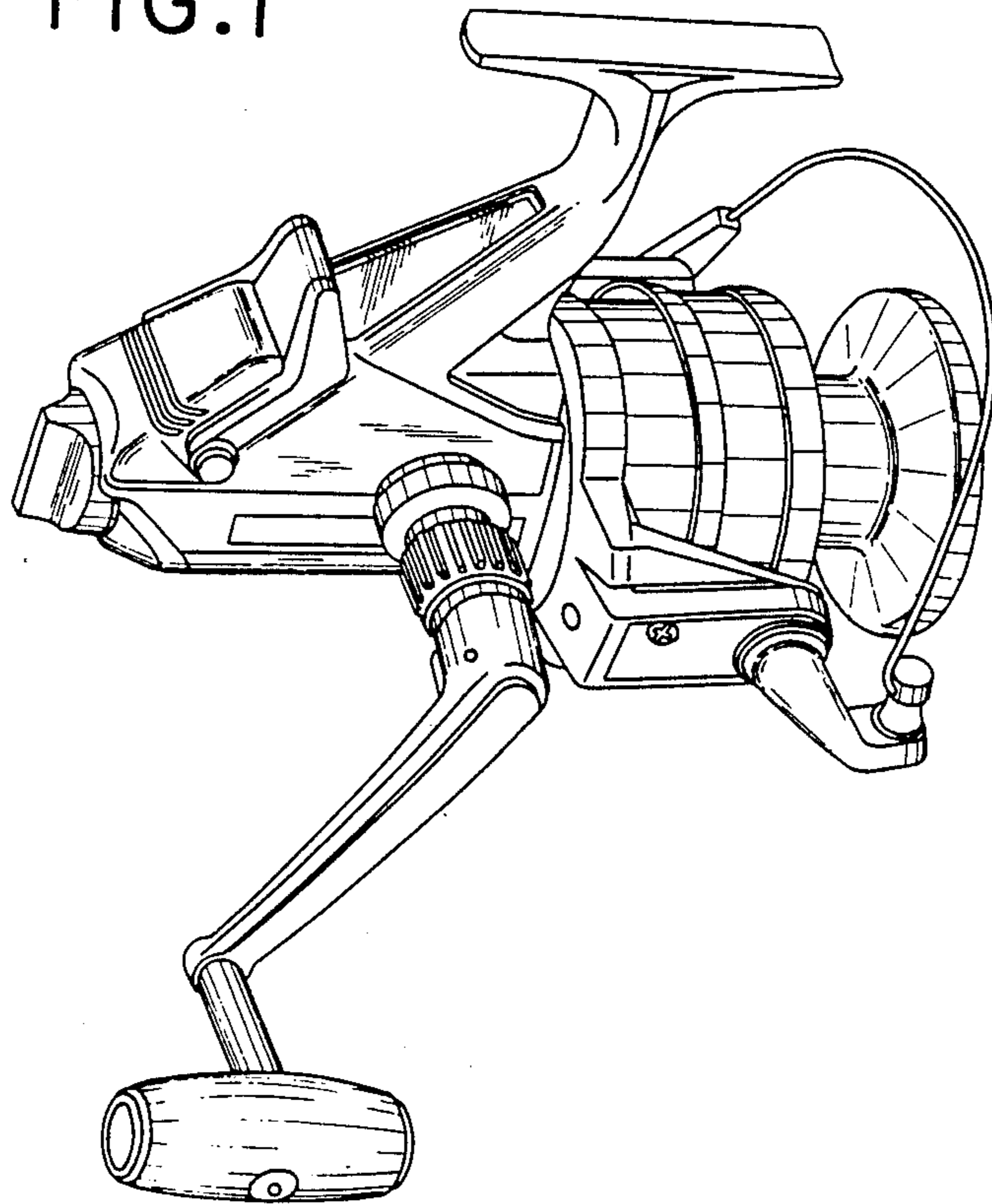


FIG. 2

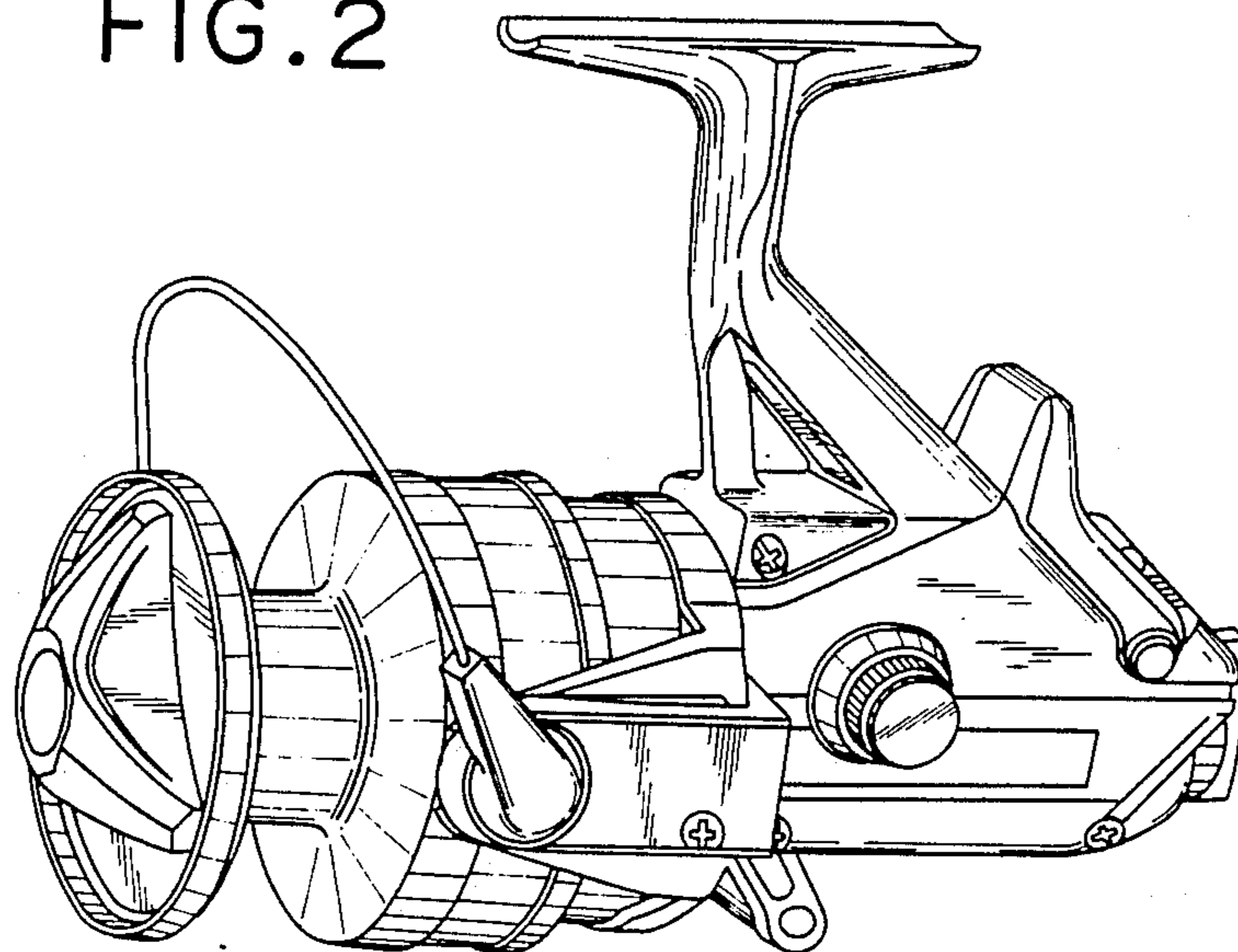


FIG. 3

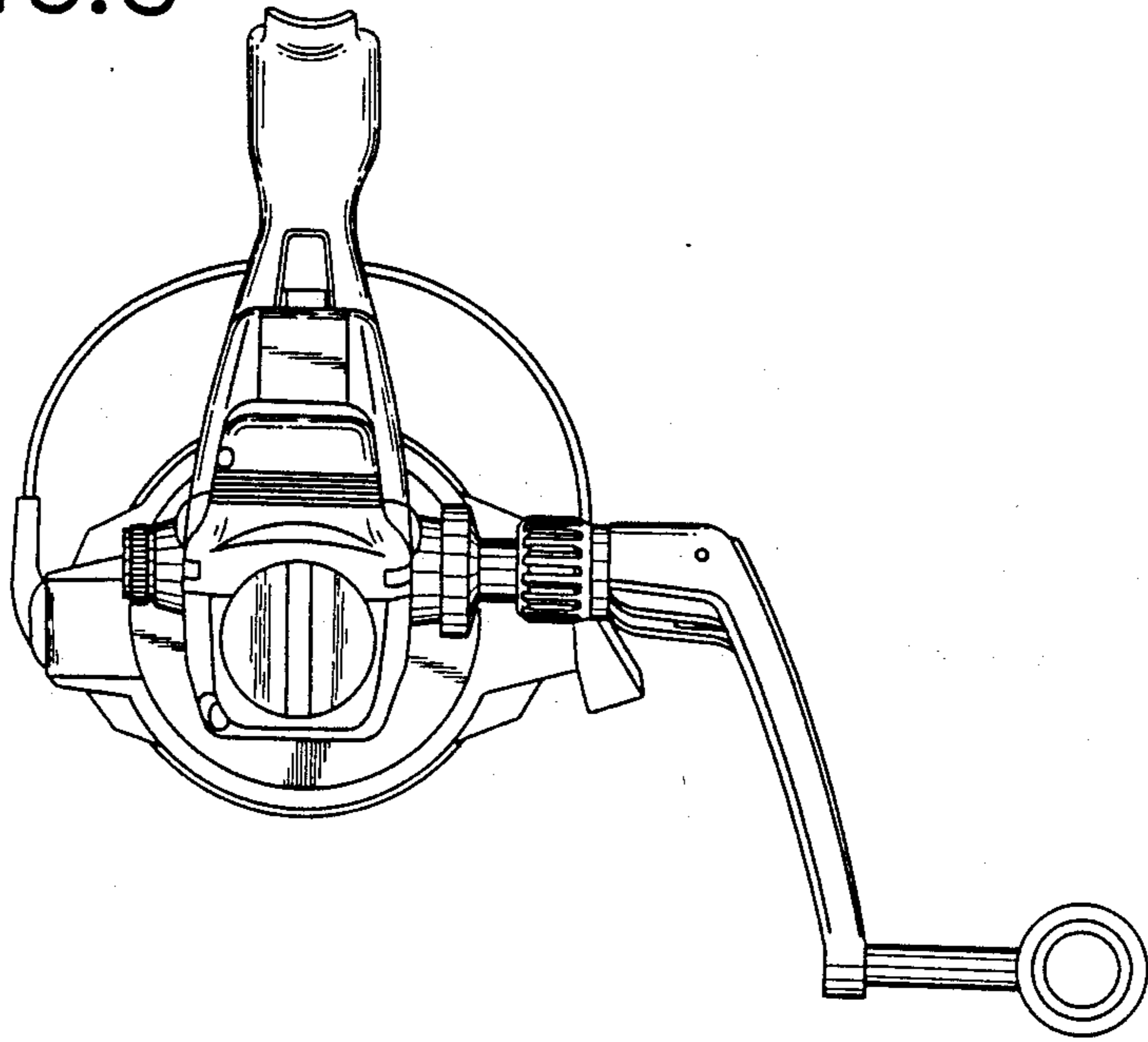


FIG. 4

