

[54] FISHING REEL

[75] Inventors: Kanji Iinuma; Yasuhisa Kameda, both of Tokyo, Japan

[73] Assignee: Daiwa Deiko, Inc., Tokyo, Japan

[**] Term: 14 Years

[21] Appl. No.: 759,241

[22] Filed: Jul. 26, 1985

[30] Foreign Application Priority Data

Jan. 29, 1985 [JP] Japan 60-2813

[52] U.S. Cl. D22/141

[58] Field of Search D22/141; 242/84.1 R, 242/84.2 R, 84.2 A

[56] References Cited

U.S. PATENT DOCUMENTS

D. 257,169 9/1980 Elie D22/141

D. 260,804 9/1981 Sakamoto et al. D22/141

Primary Examiner—A. Hugo Word
Attorney, Agent, or Firm—Cushman, Darby & Cushman

[57] CLAIM

The ornamental design for a fishing reel, substantially as shown.

DESCRIPTION

FIG. 1 is a top, front and one side perspective view of a fishing reel showing our new design;

FIG. 2 is a top, rear and one side perspective view thereof;

FIG. 3 is a side elevation view of one side thereof;

FIG. 4 is a side elevation view of the opposite side thereof;

FIG. 5 is a front elevation view thereof;

FIG. 6 is a rear elevation view thereof;

FIG. 7 is a top plan view thereof; and

FIG. 8 is a bottom plan view thereof.

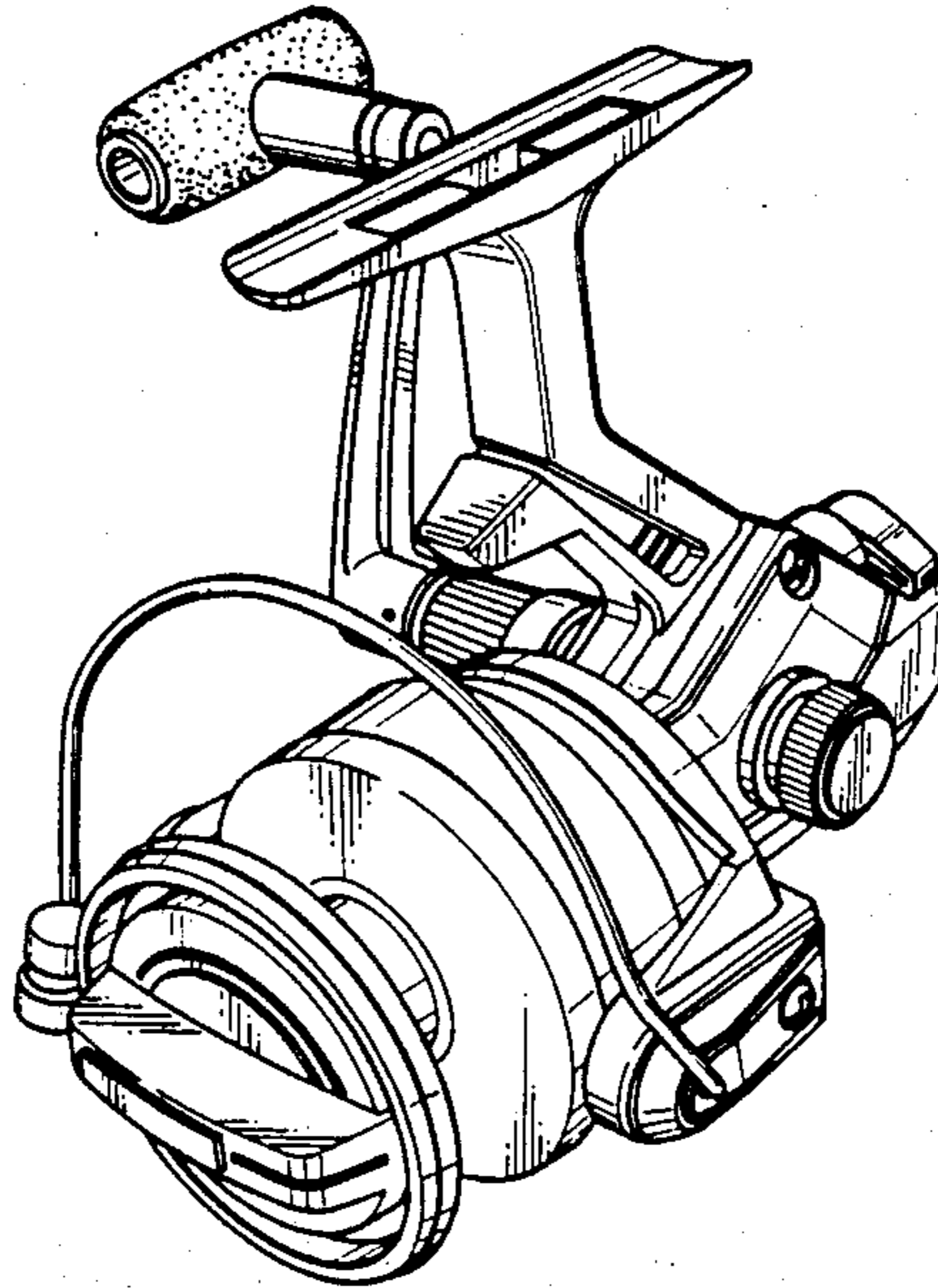


Fig. 1

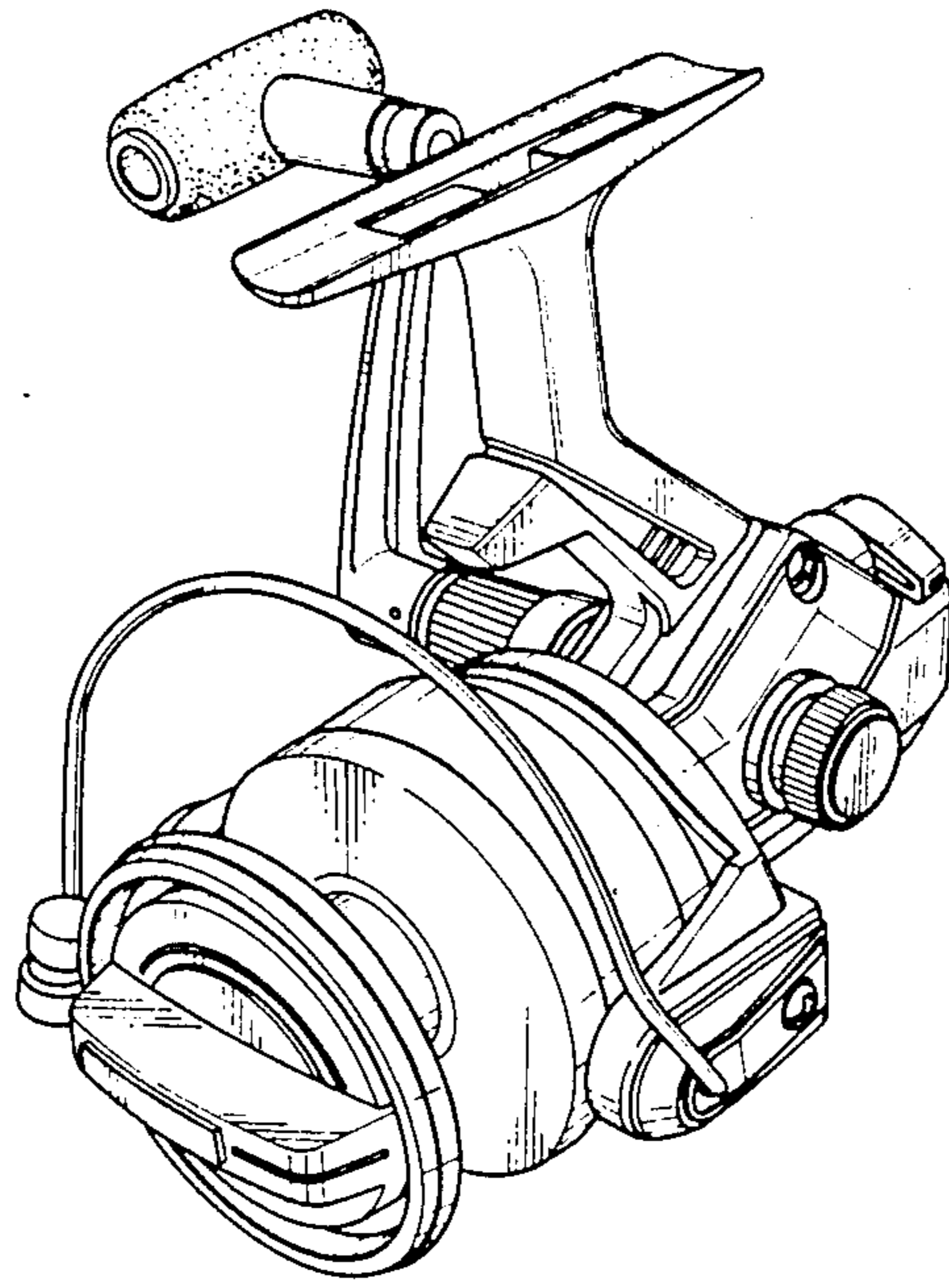


Fig. 2

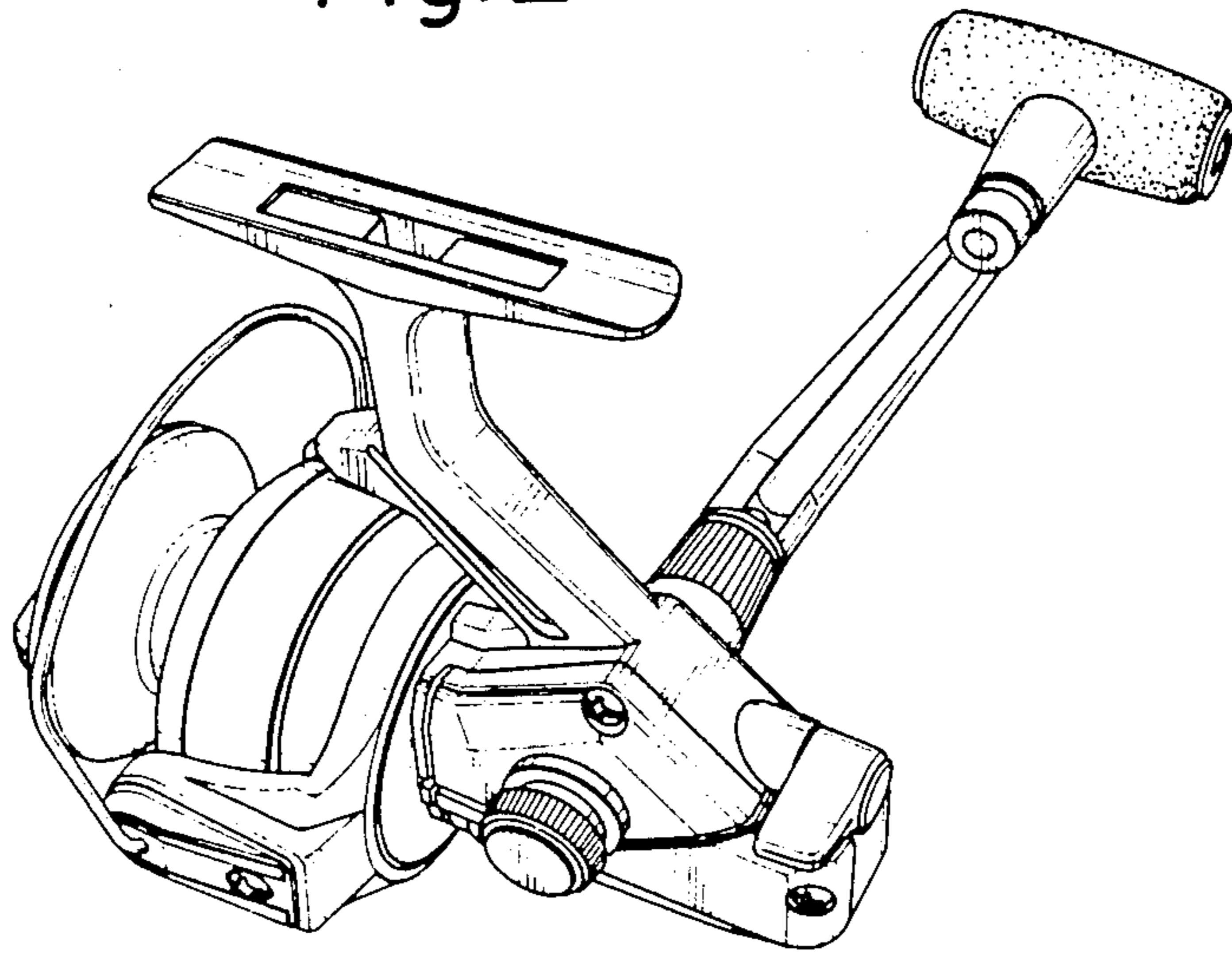


Fig. 3

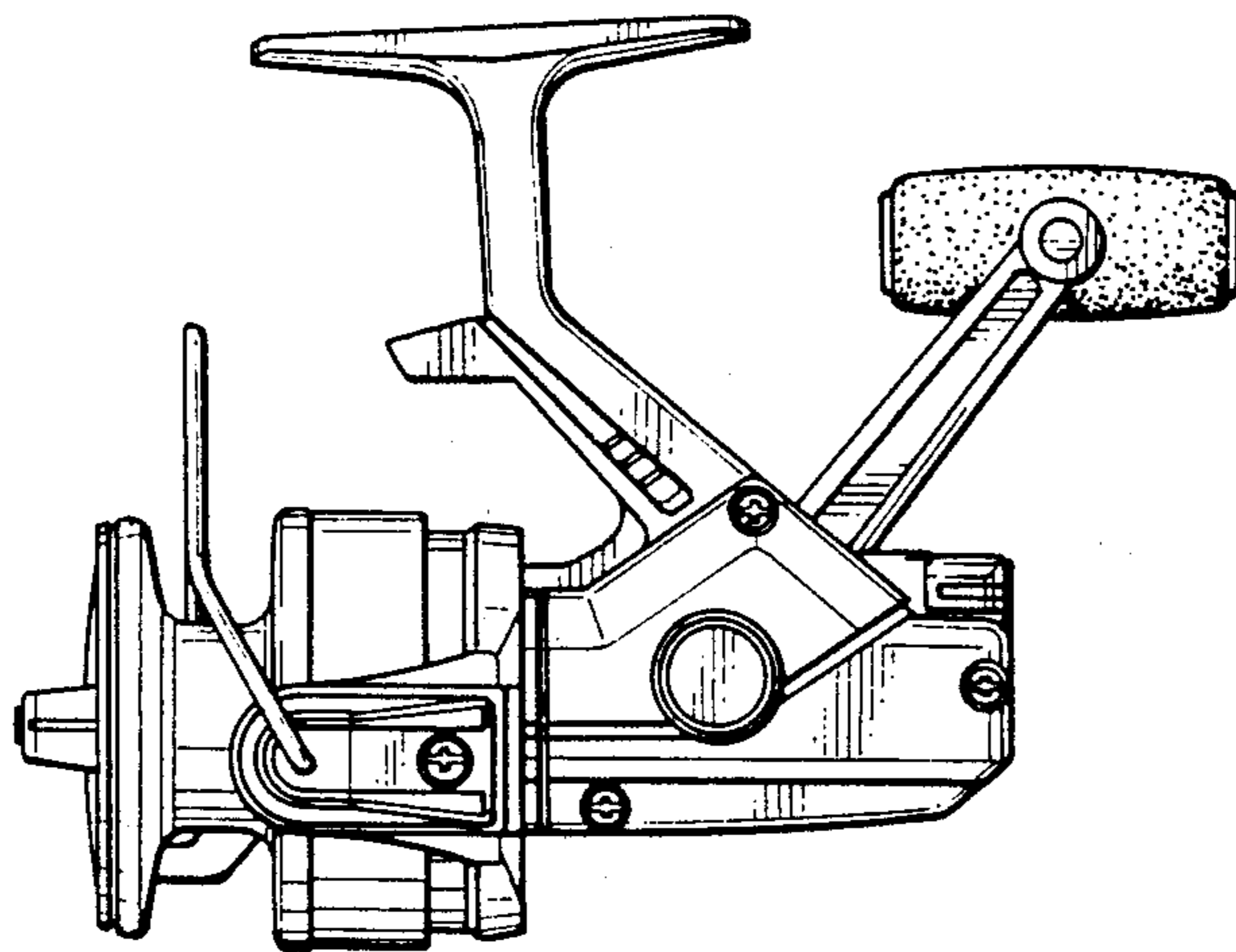


Fig. 4

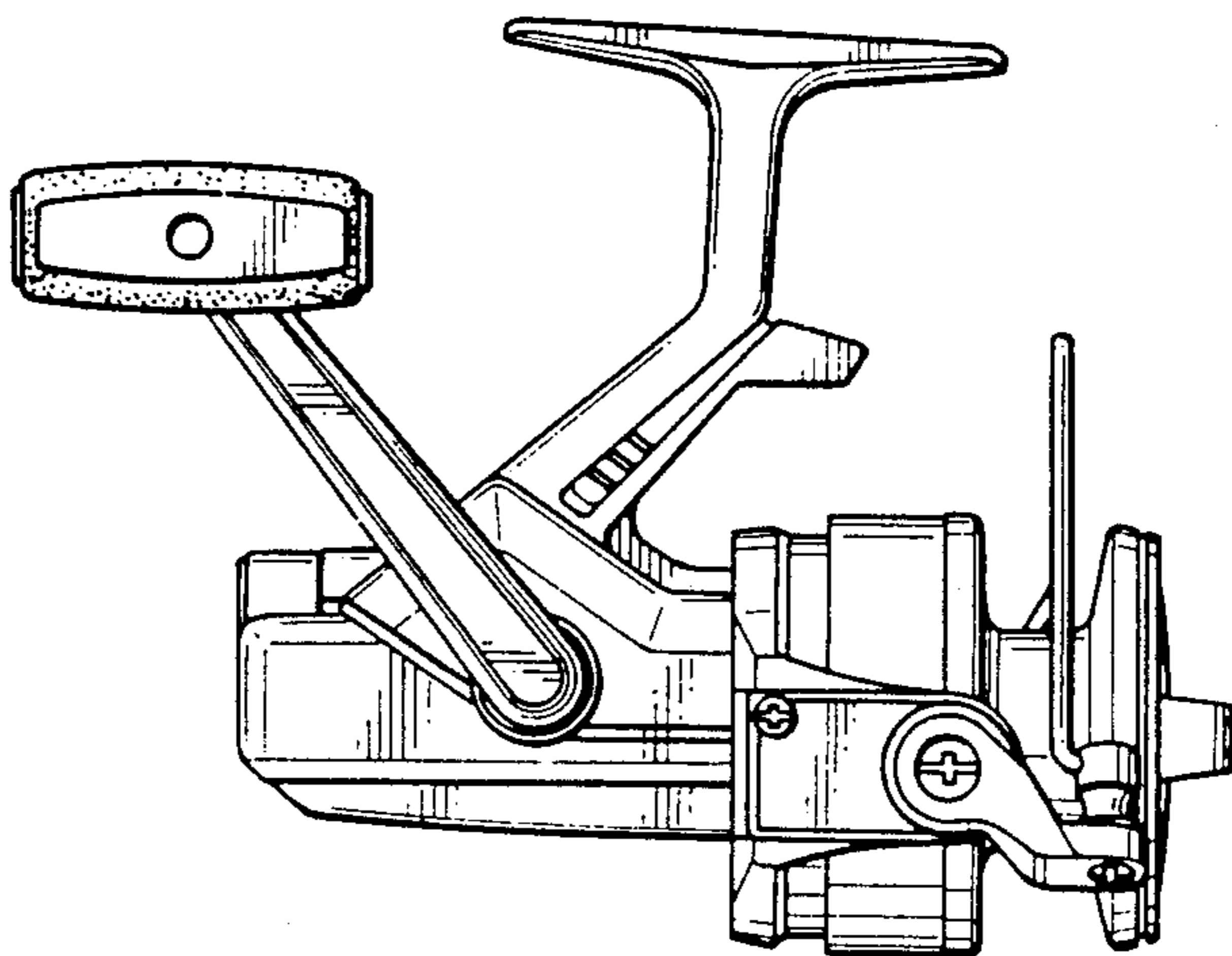


Fig. 5

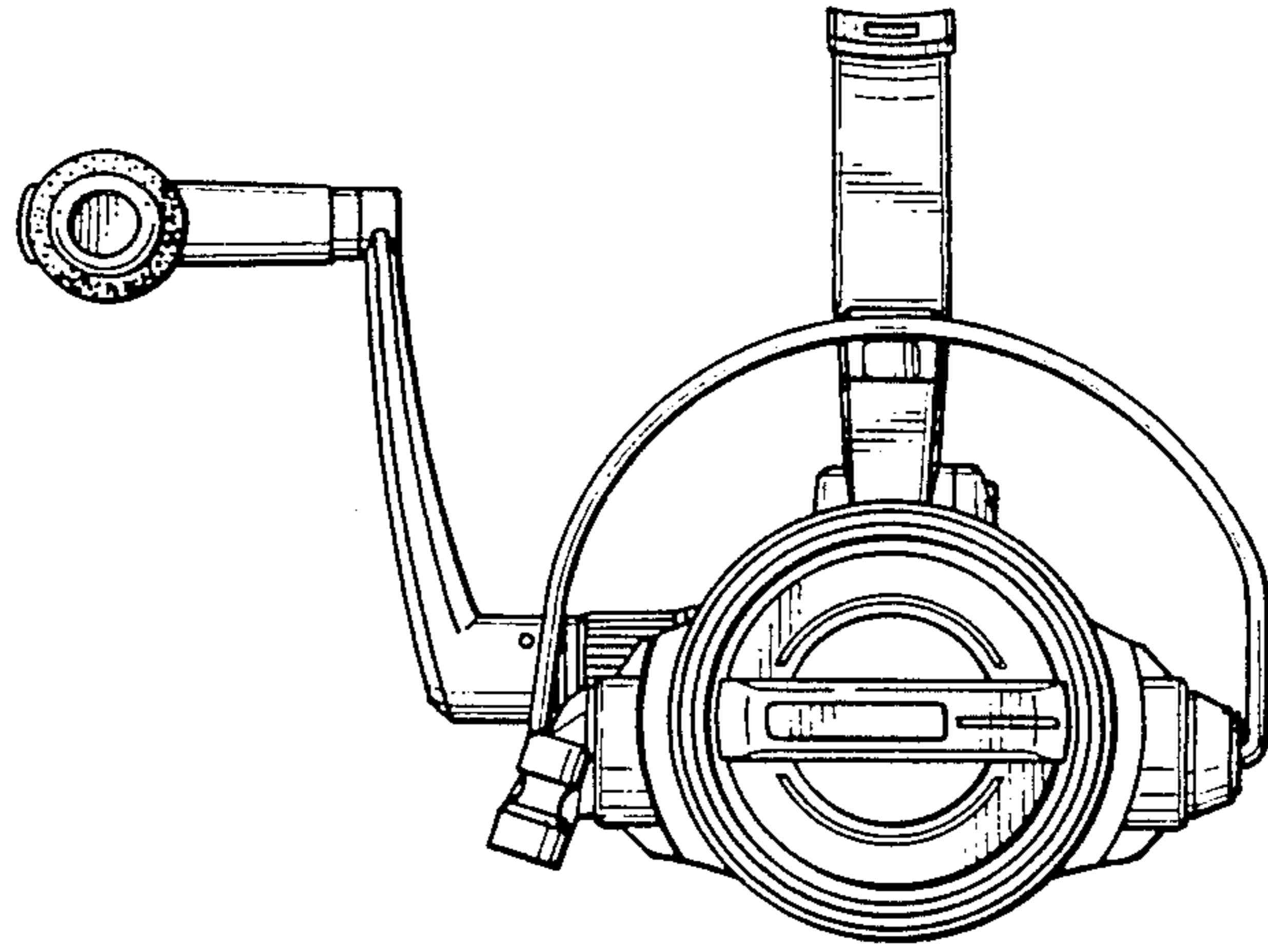


Fig. 6

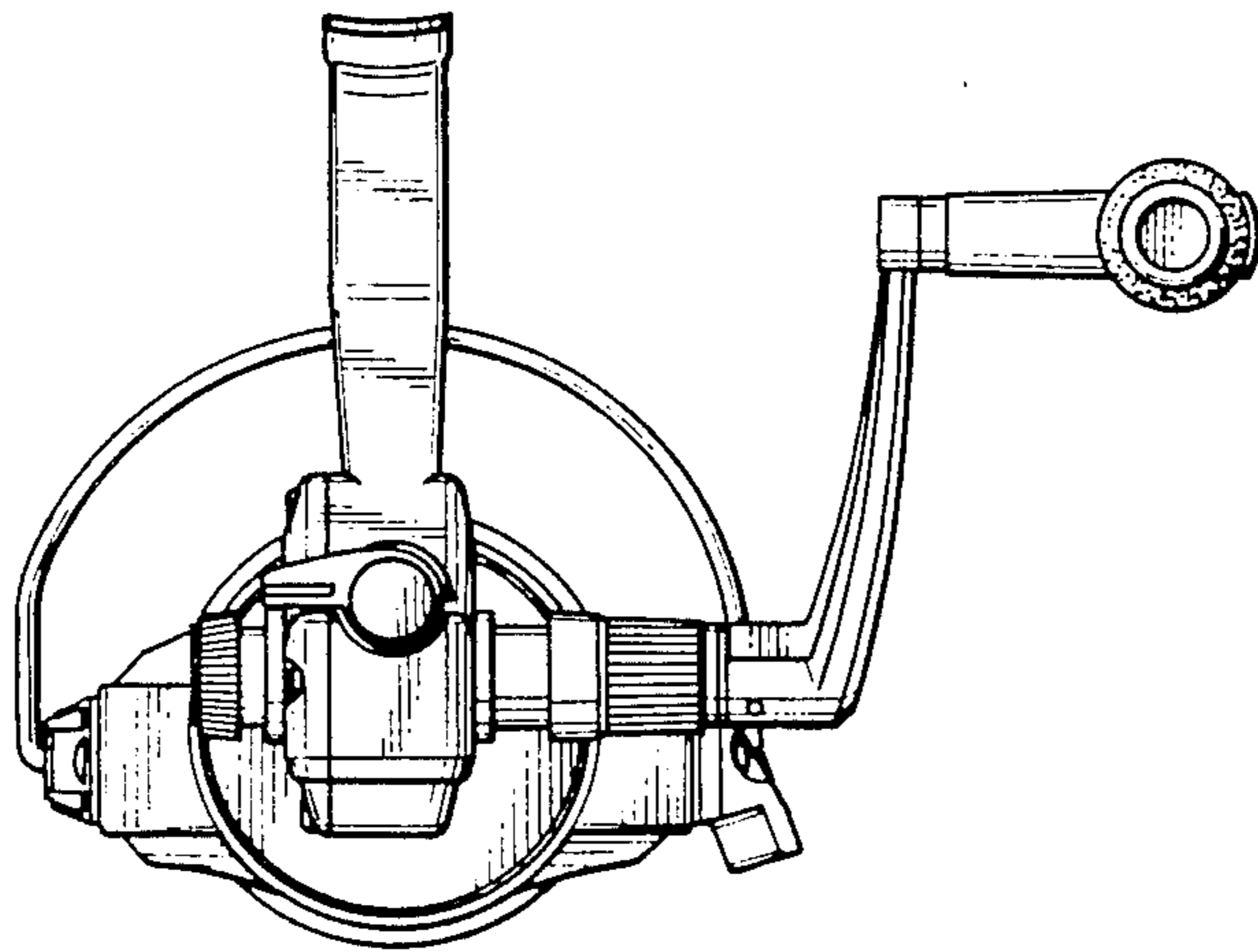


Fig. 7

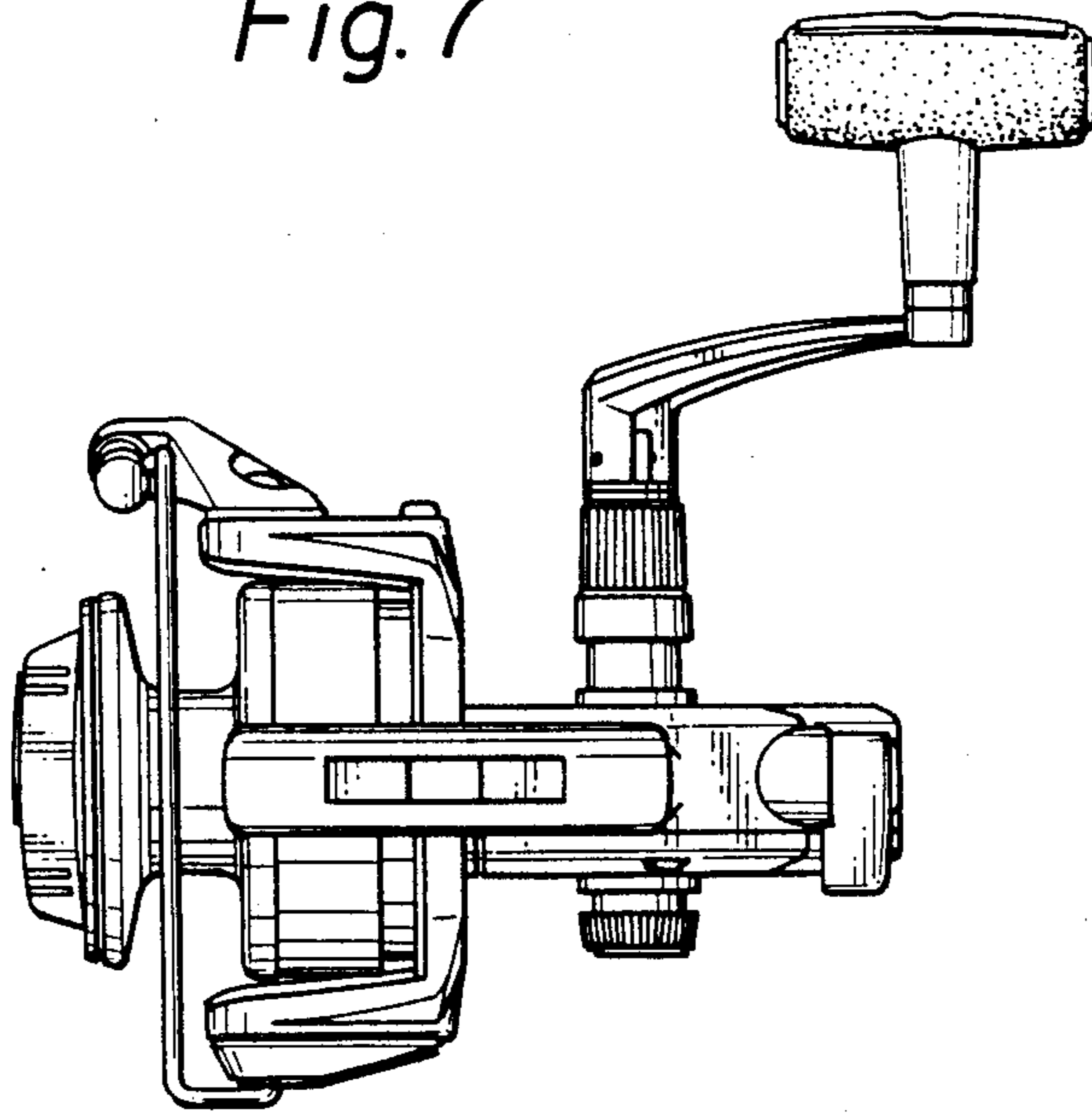
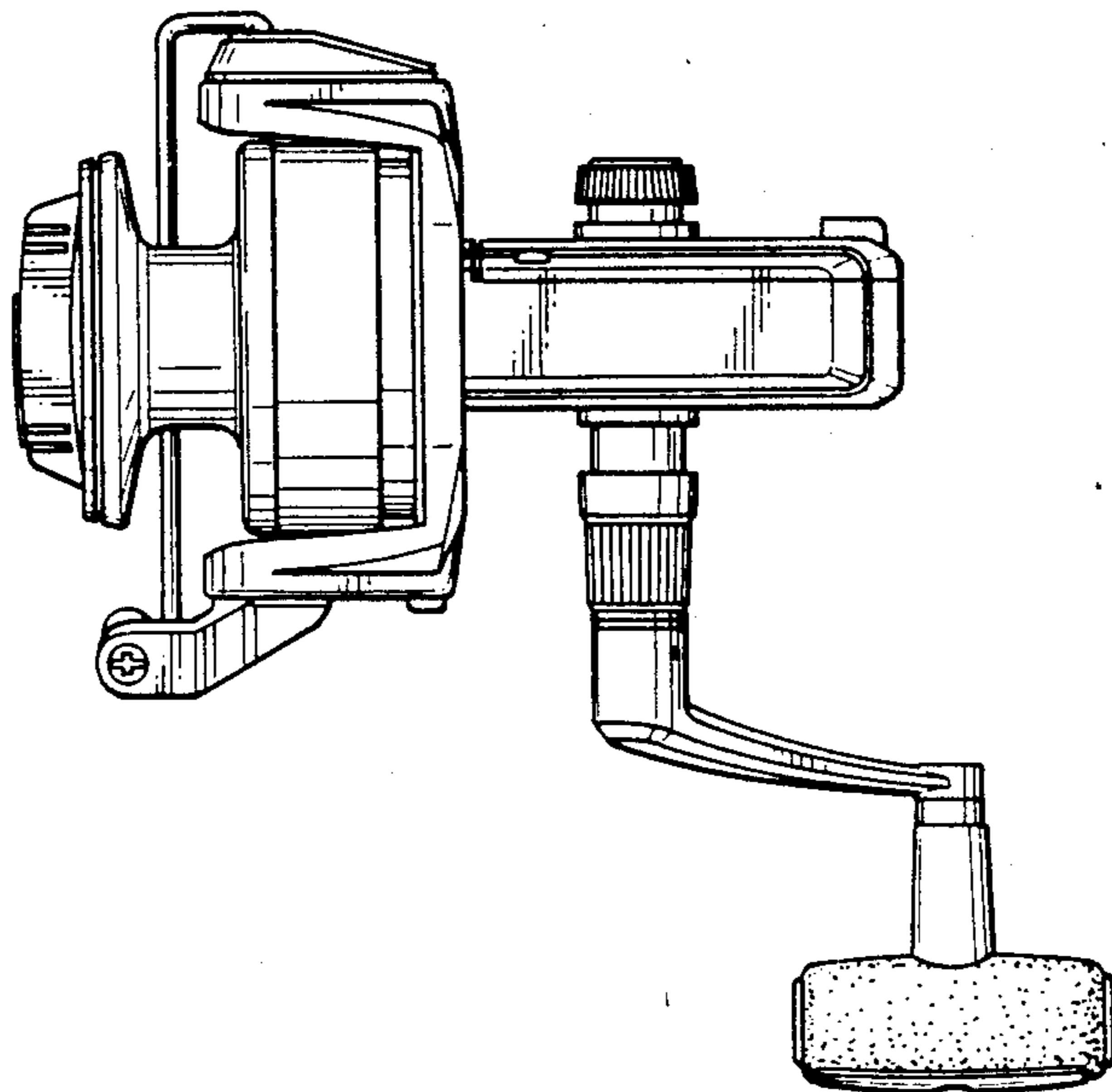


Fig. 8



UNITED STATES PATENT AND TRADEMARK OFFICE
CERTIFICATE OF CORRECTION

PATENT NO. : Des. 294,620
DATEP : March 8, 1988
INVENTOR(S) : Iinuma et al.

It is certified that error appears in the above-identified patent and that said Letters Patent is hereby corrected as shown below:

On the title page

"[73] Assignee: Daiwa Deiko, Inc., Tokyo, Japan" should read
--[73] Assignee: Daiwa Seiko, Inc., Tokyo, Japan--.

**Signed and Sealed this
Eleventh Day of April, 1989**

Attest:

DONALD J. QUIGG

Attesting Officer

Commissioner of Patents and Trademarks