

[54] RECONFIGURABLE DINOSAUR TOY

[75] Inventor: Muneyoshi Shinohara, Tokyo, Japan

[73] Assignee: Takara Co., Ltd., Tokyo, Japan

[**] Term: 14 Years

[21] Appl. No.: 844,733

[22] Filed: Mar. 13, 1986

[30] Foreign Application Priority Data

Feb. 3, 1986 [JP] Japan 61-3593

[52] U.S. Cl. D21/150; D21/87

[58] Field of Search D21/148, 150, 166, 87; D12/320; 446/97, 99, 321, 376, 487

[56] References Cited

U.S. PATENT DOCUMENTS

- D. 286,420 10/1986 Ohno D21/150
- D. 286,901 11/1986 Ohno D21/150
- D. 287,038 12/1986 Ohno D21/150
- D. 287,151 12/1986 Ohno D21/150
- 4,515,571 5/1985 Kozuka 446/99

OTHER PUBLICATIONS

- Tomy catalog-1984, p. 54, item #5039, toy figure.
- Tonka catalog-1984, p. 52 "Zod" toy figure.

Primary Examiner—Charles A. Rademaker
Attorney, Agent, or Firm—Price, Gess & Ubell

[57] CLAIM

The ornamental design for a reconfigurable dinosaur toy, substantially as shown and described.

DESCRIPTION

FIG. 1 is a front side perspective view of a reconfigurable dinosaur toy showing my new design;
 FIG. 2 is a front elevational view thereof;
 FIG. 3 is a right side elevational view thereof;
 FIG. 4 is a left side elevational view thereof;
 FIG. 5 is a rear elevational view thereof;
 FIG. 6 is a top plan view thereof;
 FIG. 7 is a bottom plan view thereof;
 FIG. 8 is a front perspective view of the design shown in FIGS. 1 through 7 reconfigured in a battle station configuration;
 FIG. 9 is a front perspective view of a modified form of the design shown in FIG. 8;
 FIG. 10 is a front perspective view of the design shown in FIGS. 1 through 7 reconfigured in a satellite station configuration; and
 FIG. 11 is a front perspective view of a modified form of the design shown in FIG. 10.

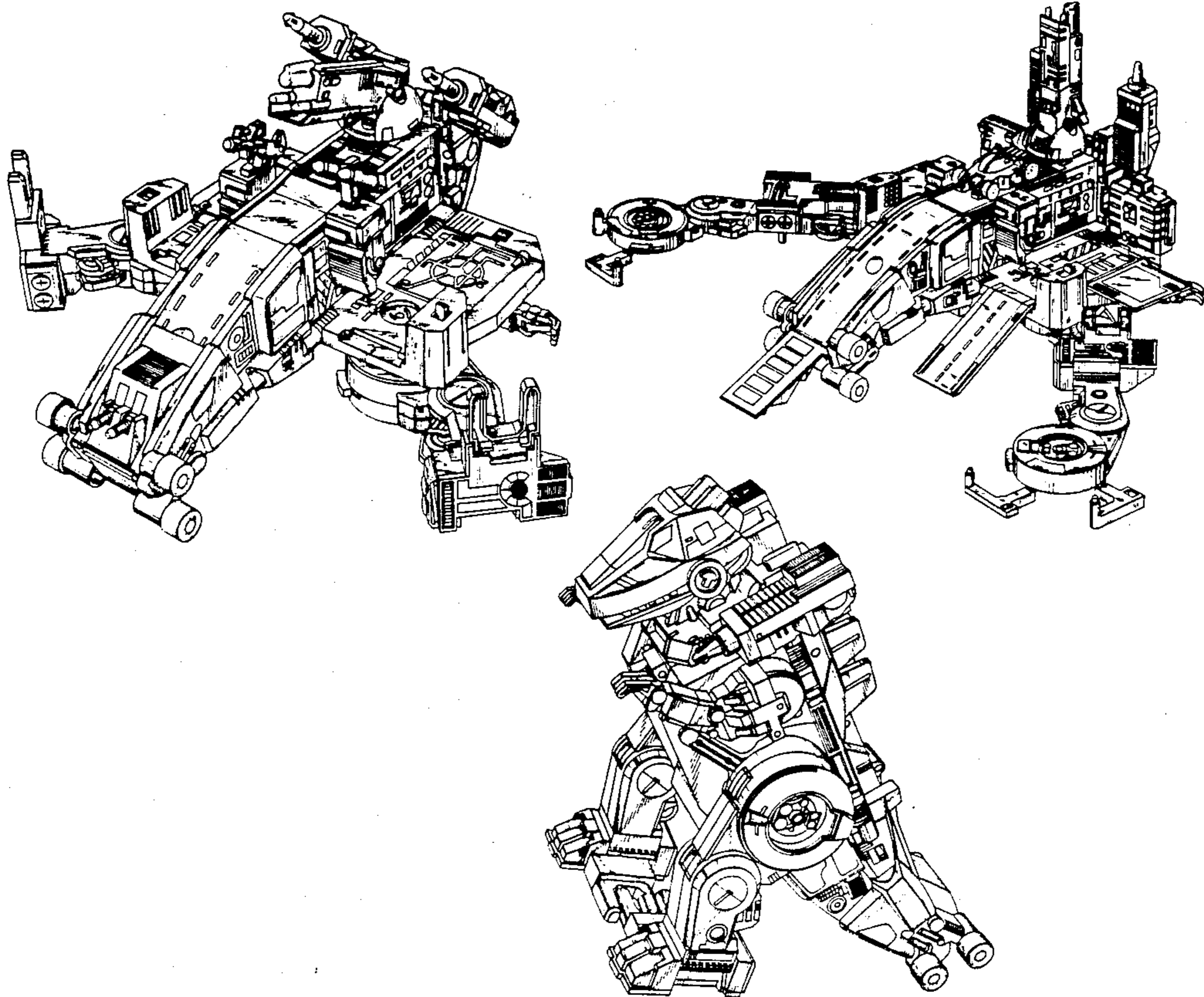


FIG. 1

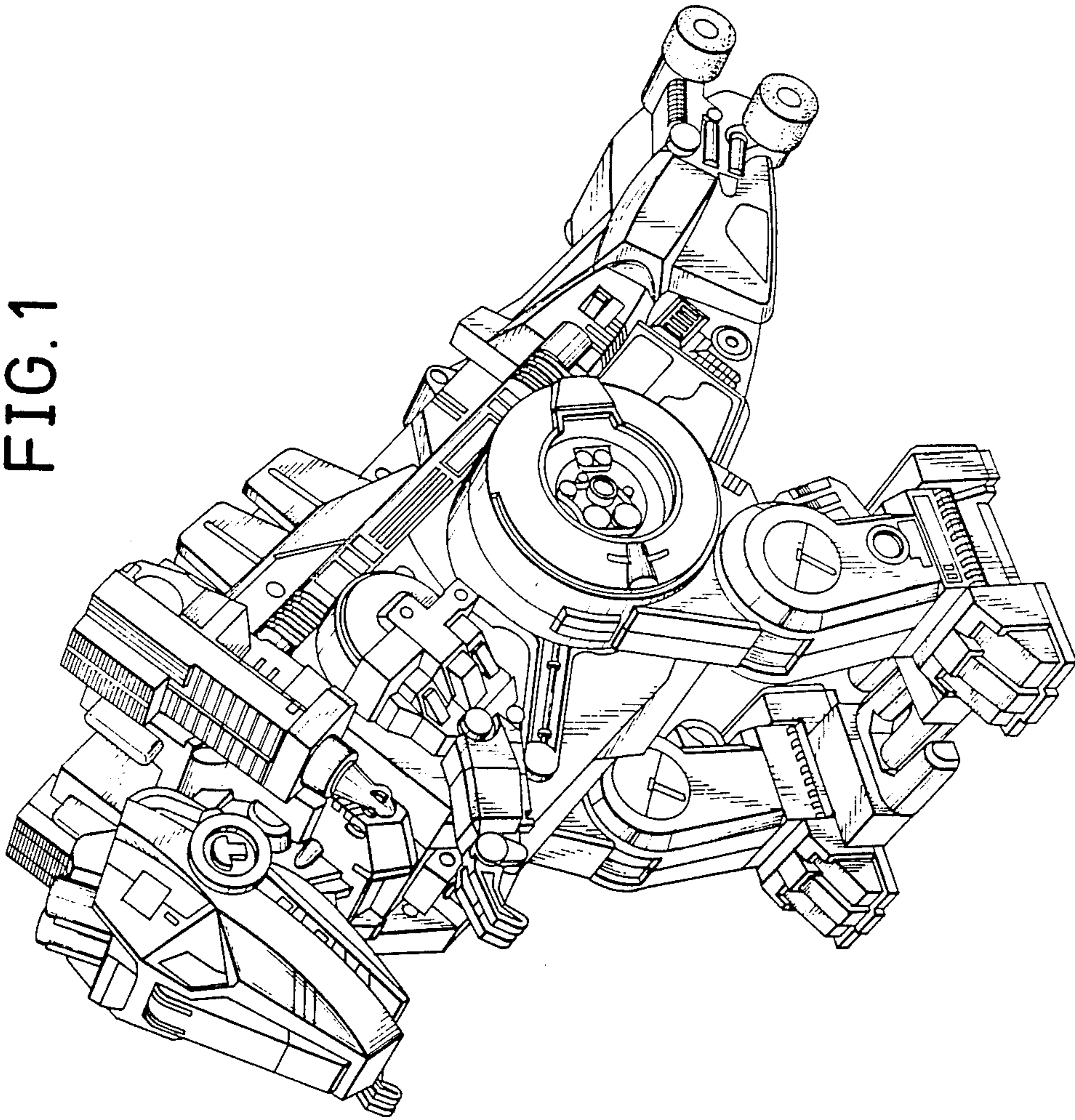


FIG. 2

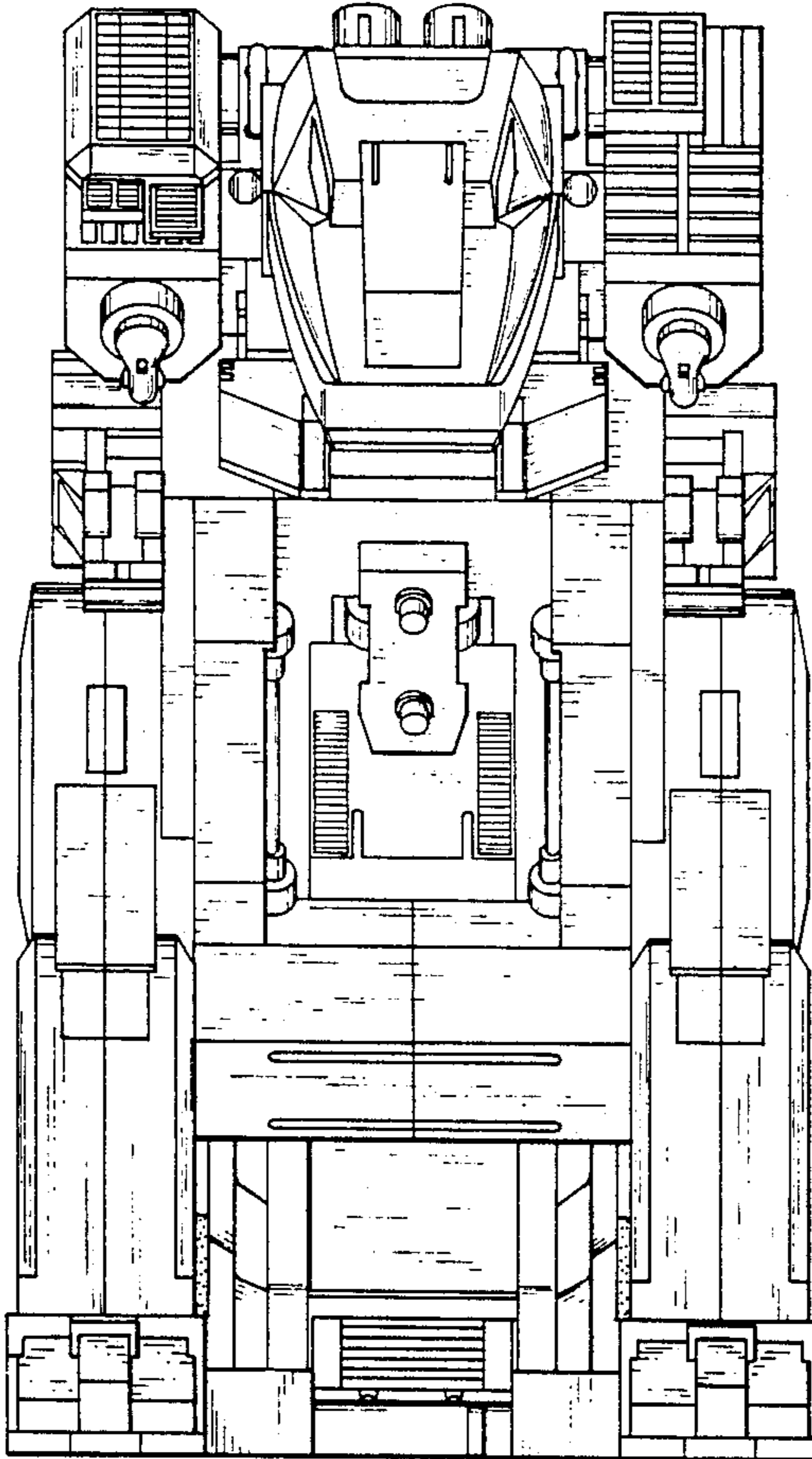


FIG. 3

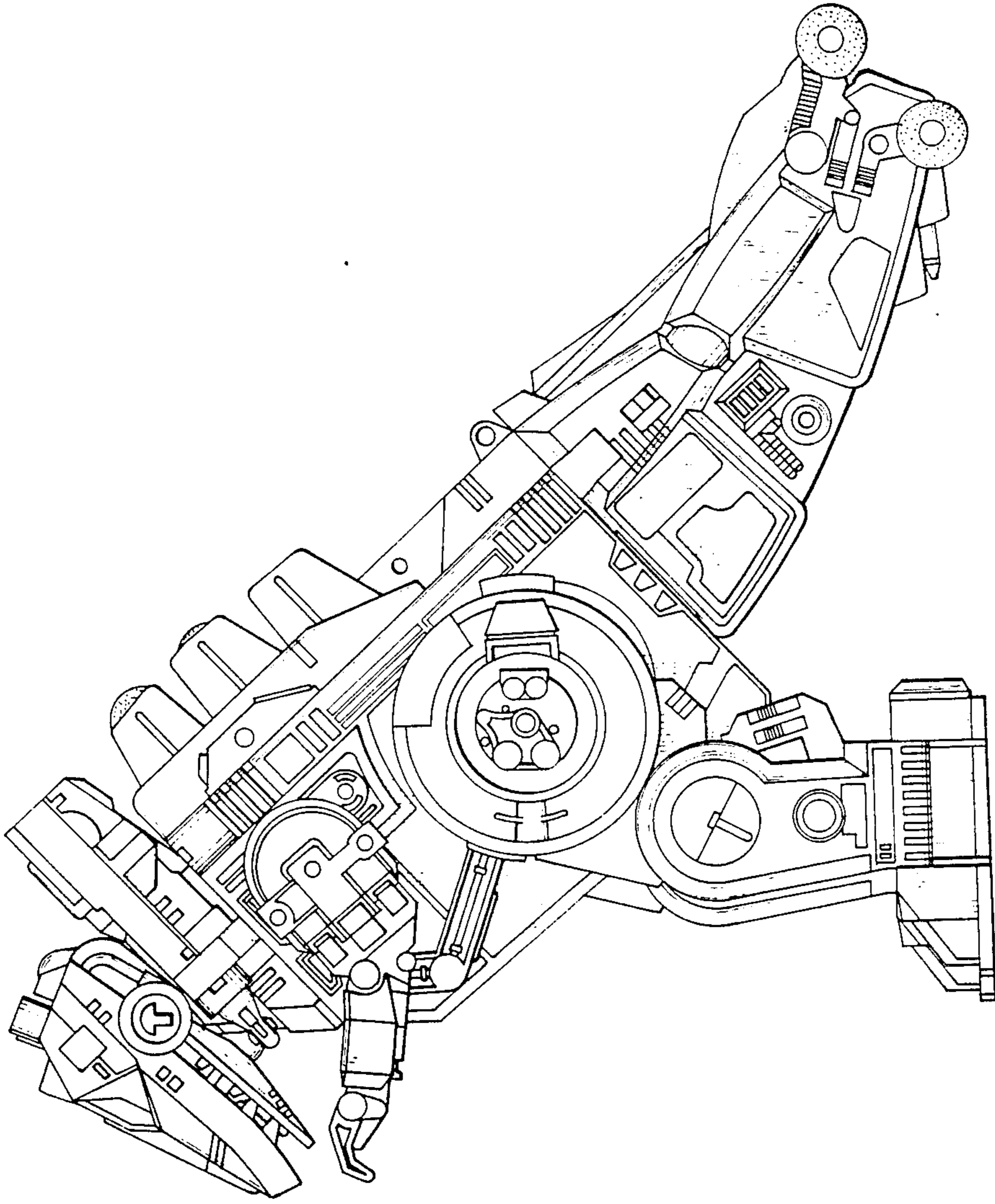


FIG. 4

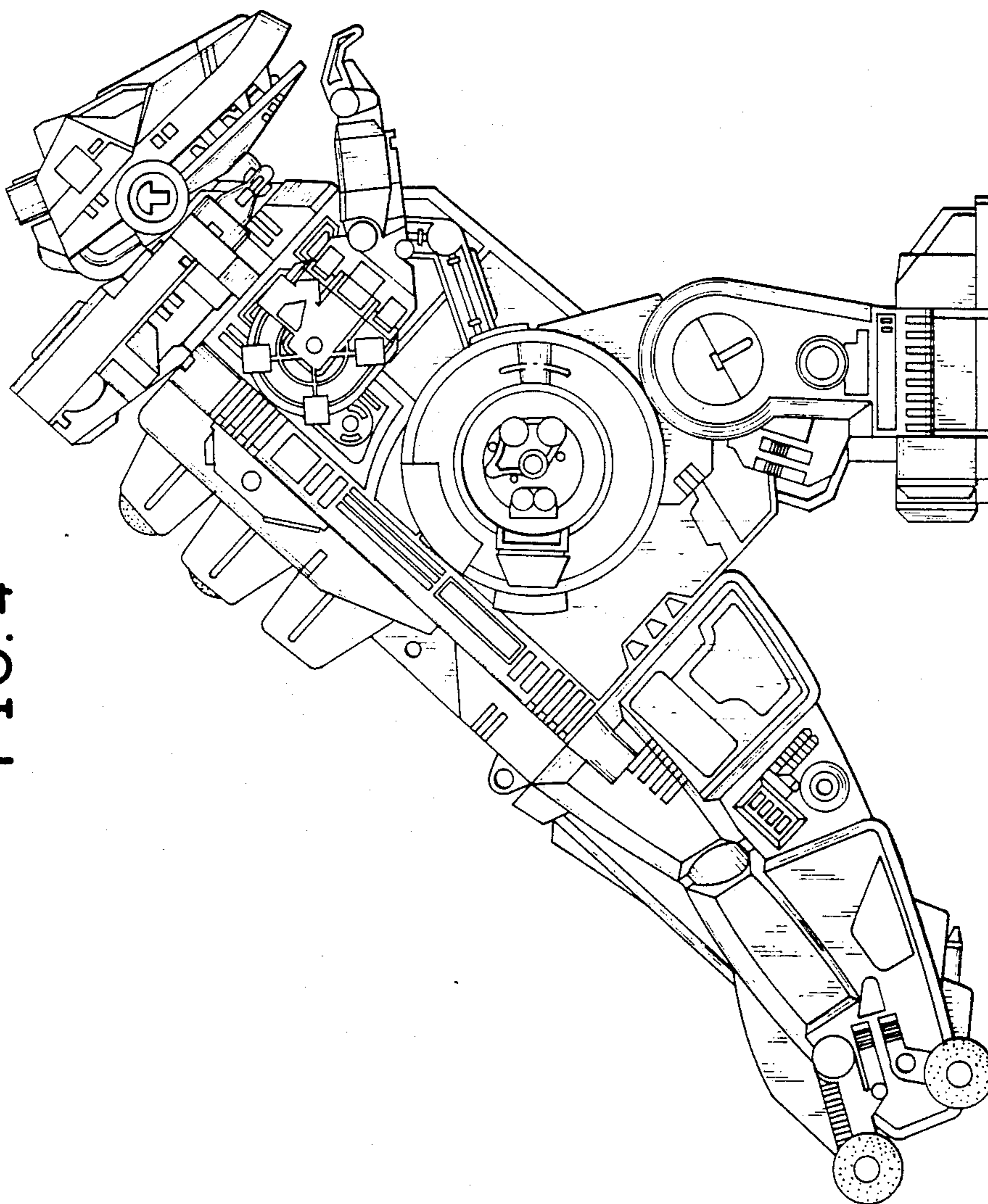


FIG. 5

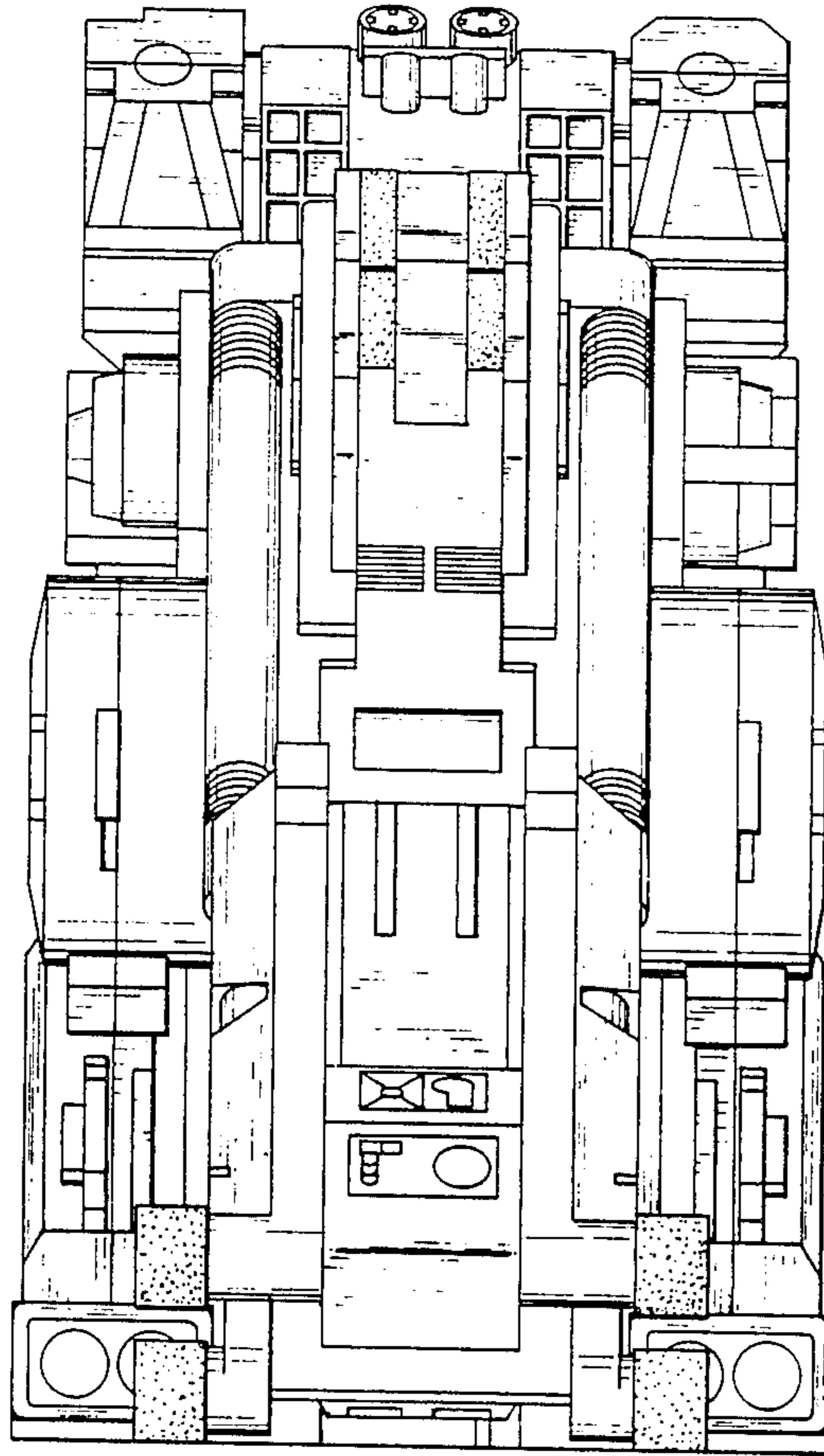


FIG. 6

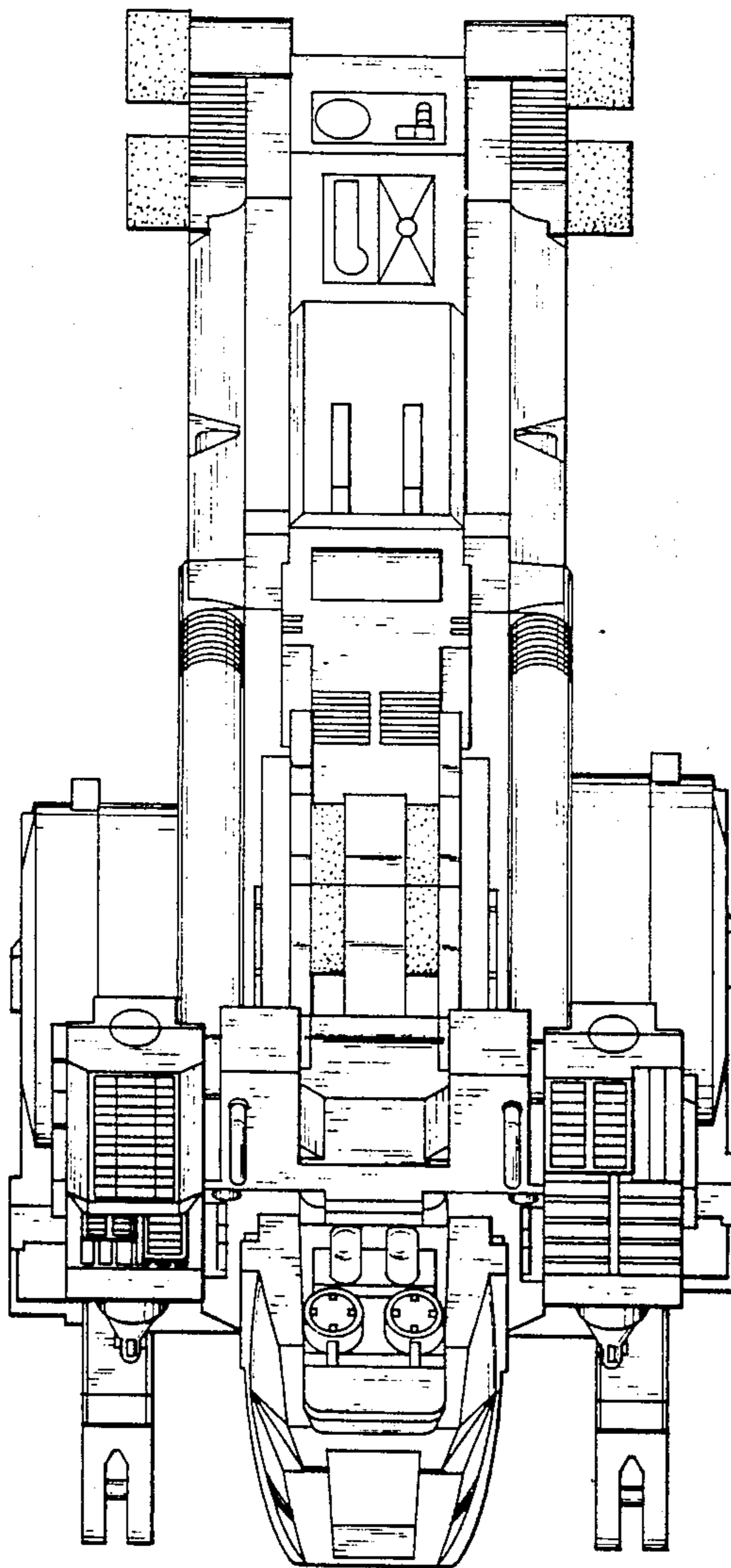
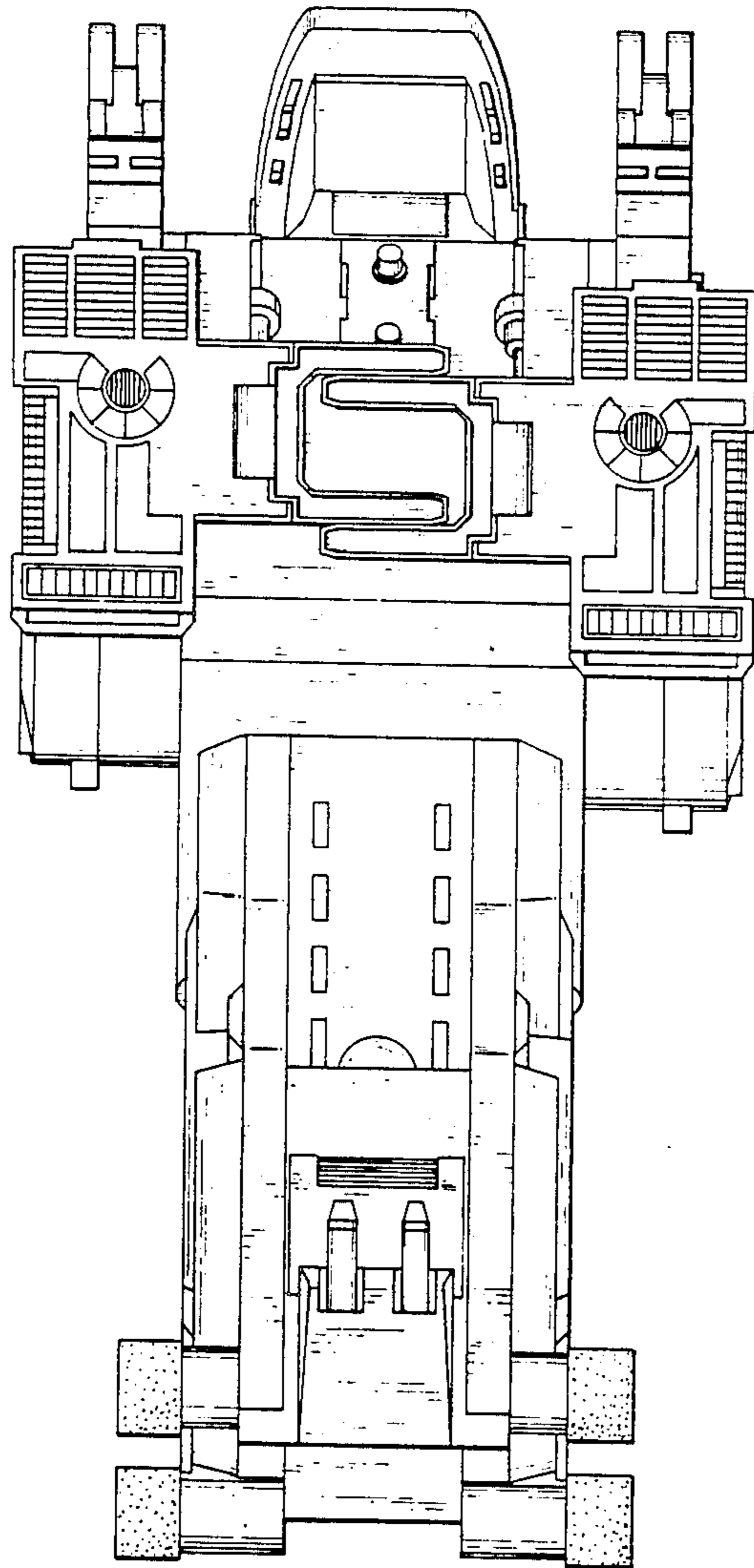


FIG. 7



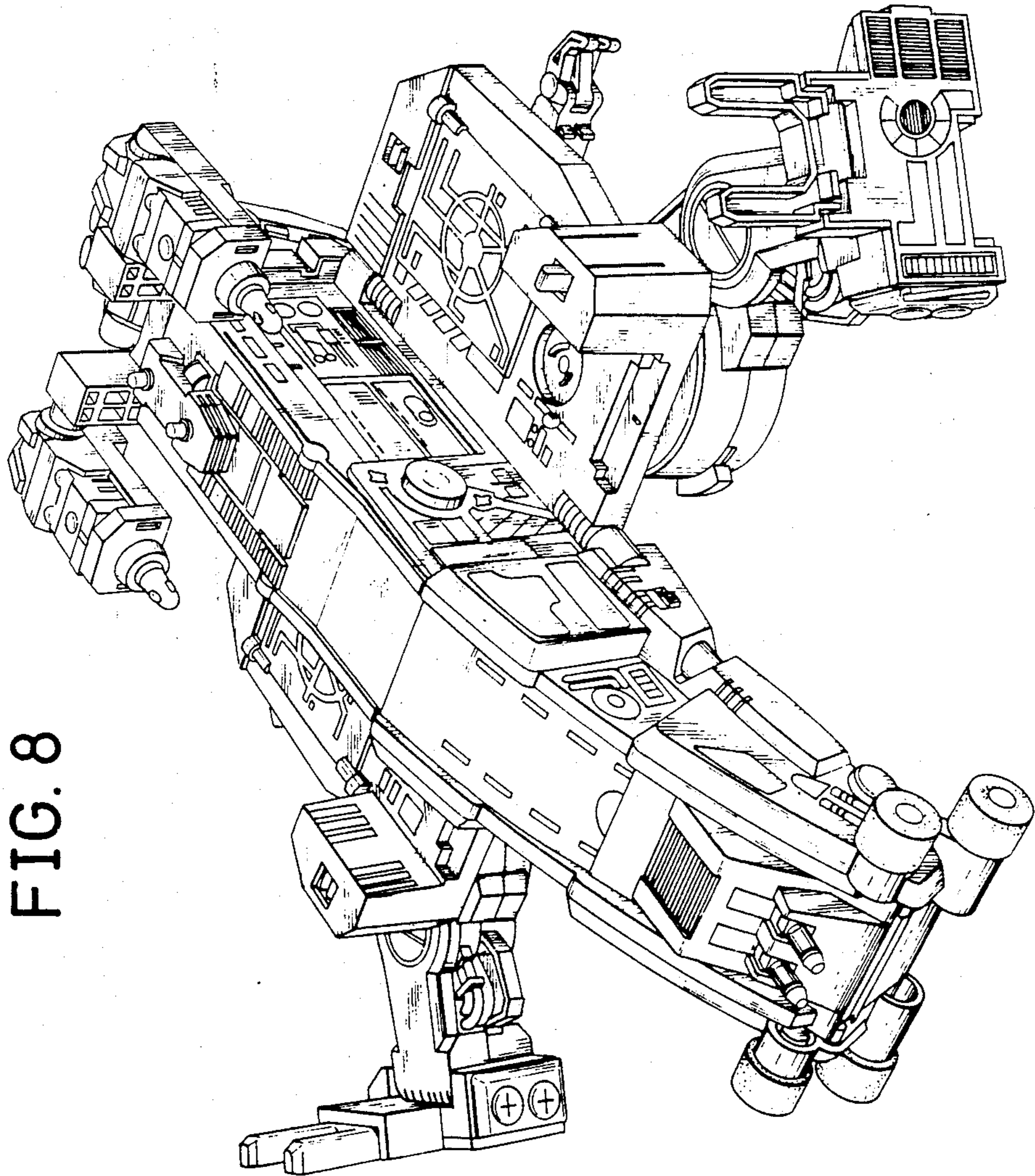


FIG. 8

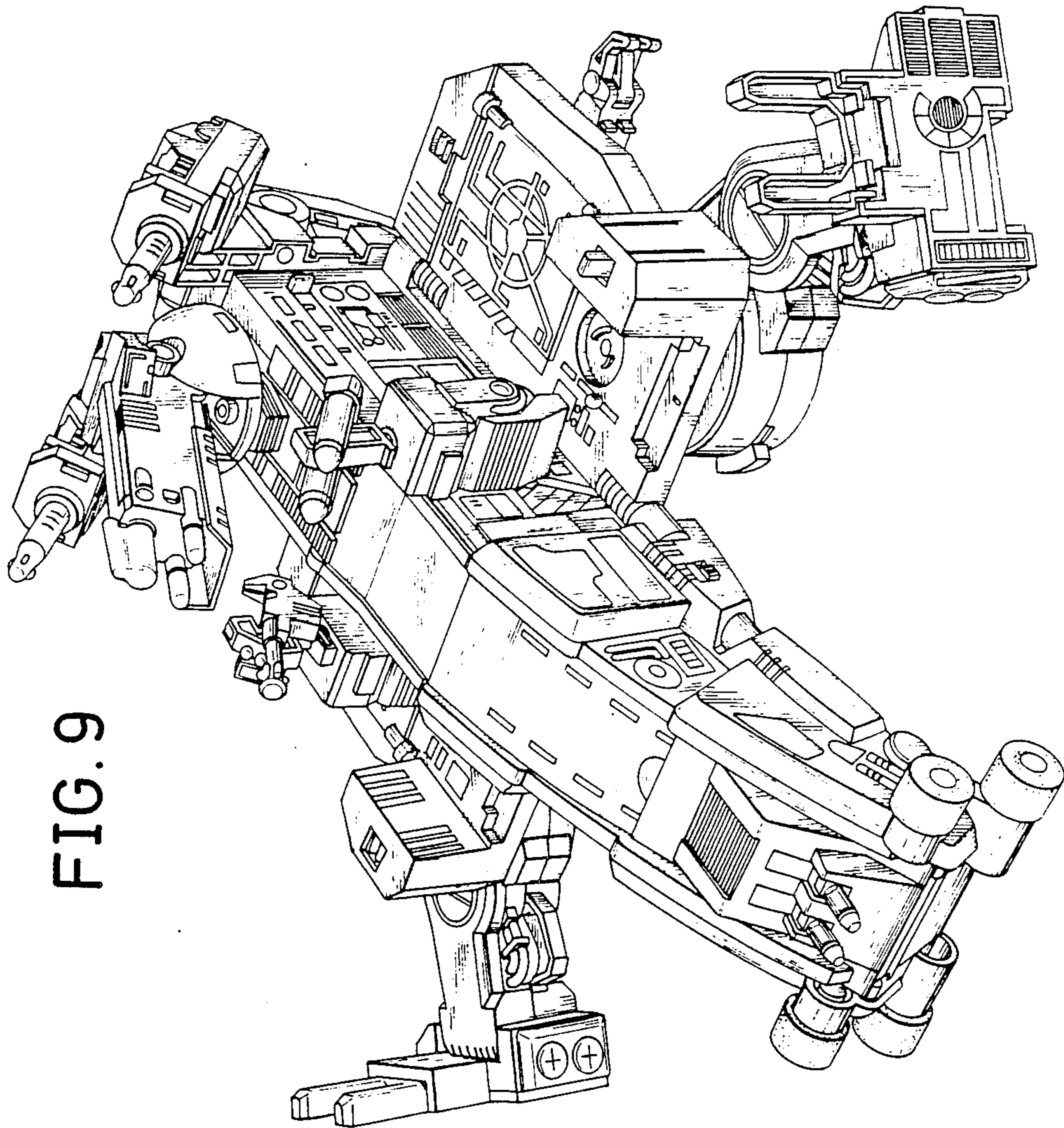


FIG. 9

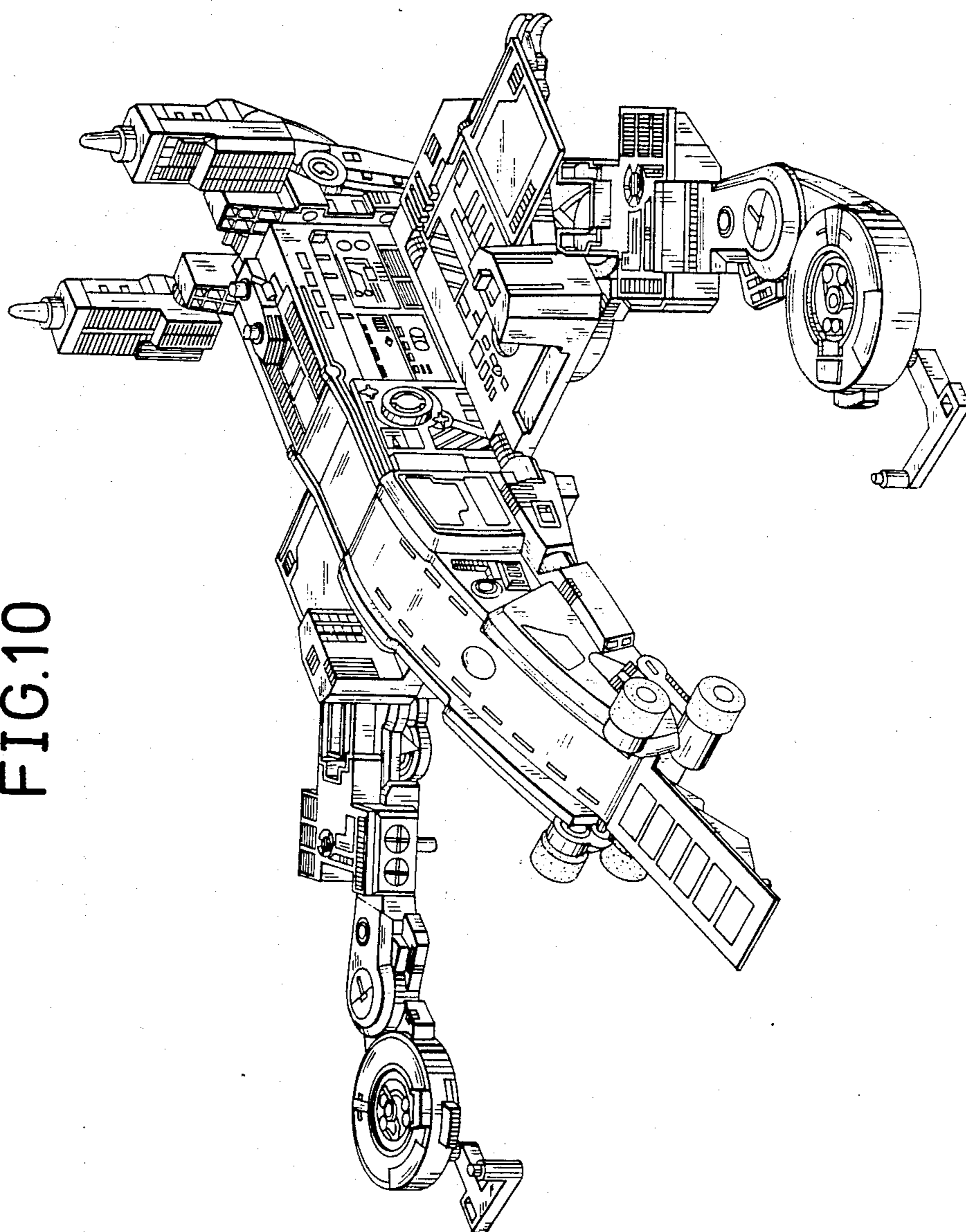


FIG.10

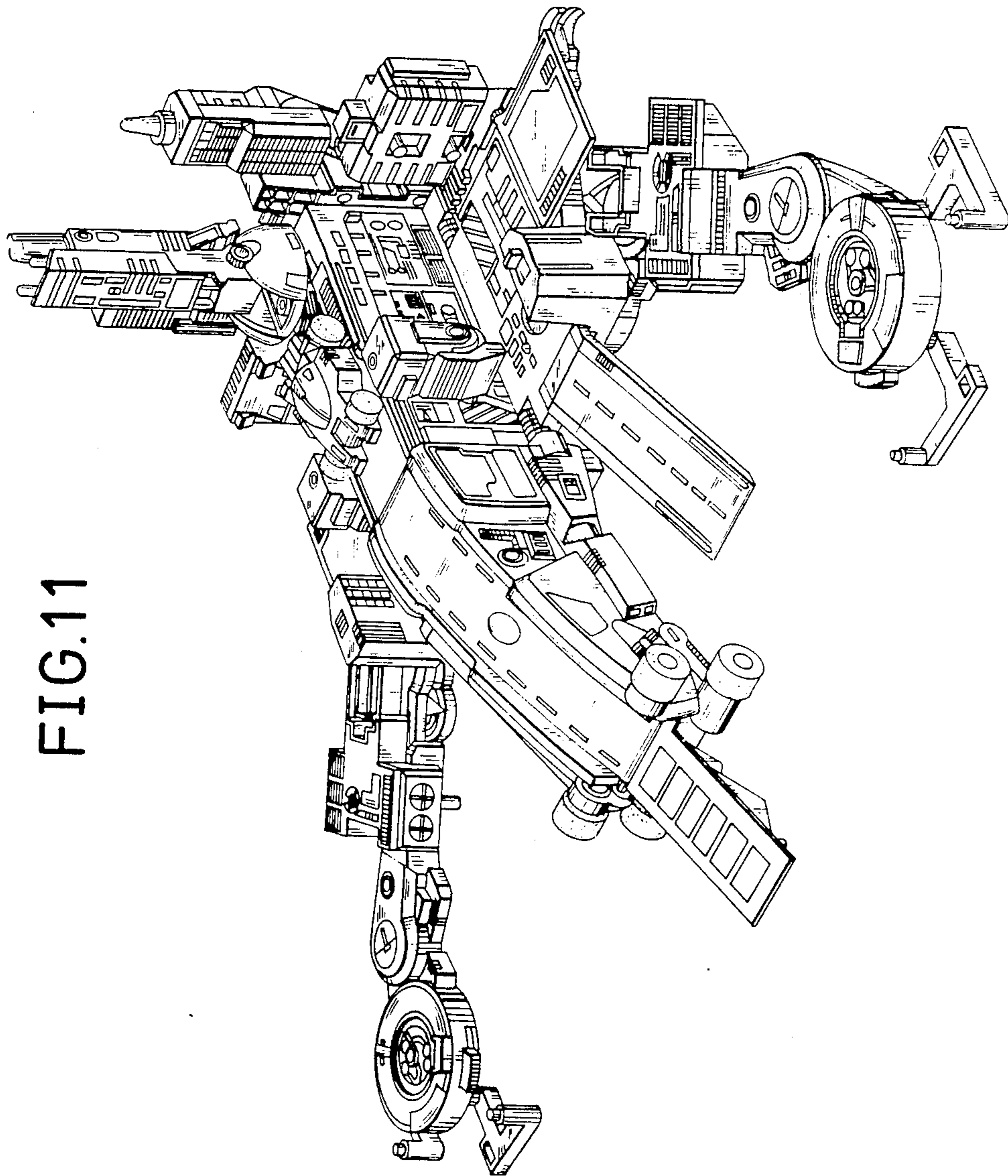


FIG.11