

[54] TOY DOLL HOUSE

[75] Inventors: **Bonnie Zacherle, Norwood; Douglas Harrison, Gloucester; Frank D. Ventura, Newburyport, all of Mass.**

[73] Assignee: **Kenner Parker Toys Inc., Beverly, Mass.**

[**] Term: **14 Years**

[21] Appl. No.: **780,069**

[22] Filed: **Sep. 25, 1985**

[52] U.S. Cl. **D21/114; D21/128**

[58] Field of Search **D21/109, 114-119; 446/431, 465, 479, 476, 491; D25/16**

[56] **References Cited**

U.S. PATENT DOCUMENTS

D. 195,001 4/1963 Ravreby D21/114

D. 235,671 7/1975 Spiegel D21/114

D. 240,252 6/1976 Orenstein D21/114

D. 268,922 5/1983 Richer D25/16

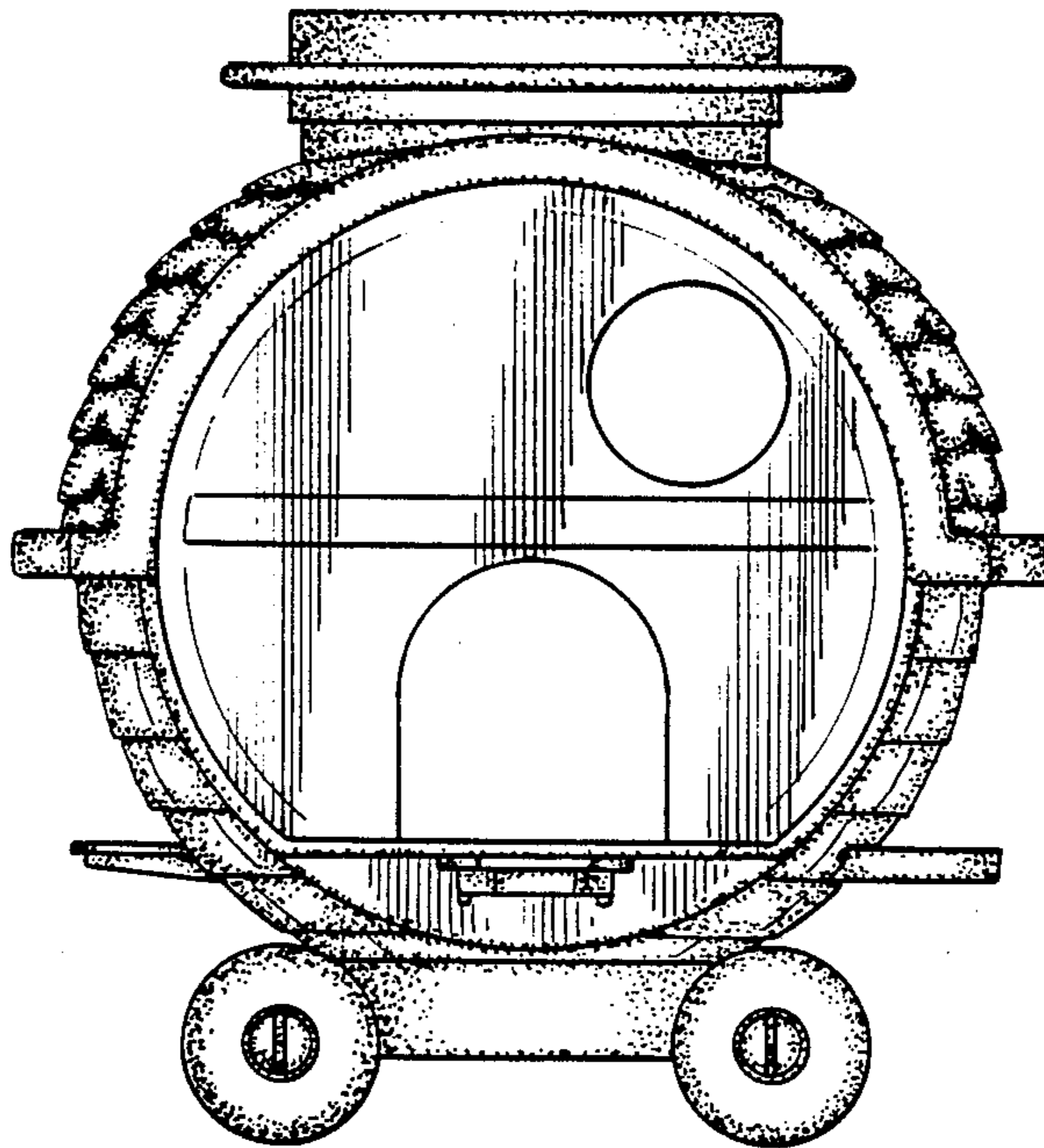
Primary Examiner—Charles A. Rademaker
Attorney, Agent, or Firm—L. McRoy Lillehaugen; Gene O. Enockson

[57] **CLAIM**

The ornamental design for a toy doll house, substantially as shown and described.

DESCRIPTION

FIG. 1 is a right side elevational view of a toy doll house showing our new design;
FIG. 2 is a left side elevational view thereof;
FIG. 3 is a rear elevational view thereof;
FIG. 4 is a front elevational view thereof;
FIG. 5 is a top plan view thereof;
FIG. 6 is a bottom elevational view thereof; and
FIG. 7 is a perspective view thereof.



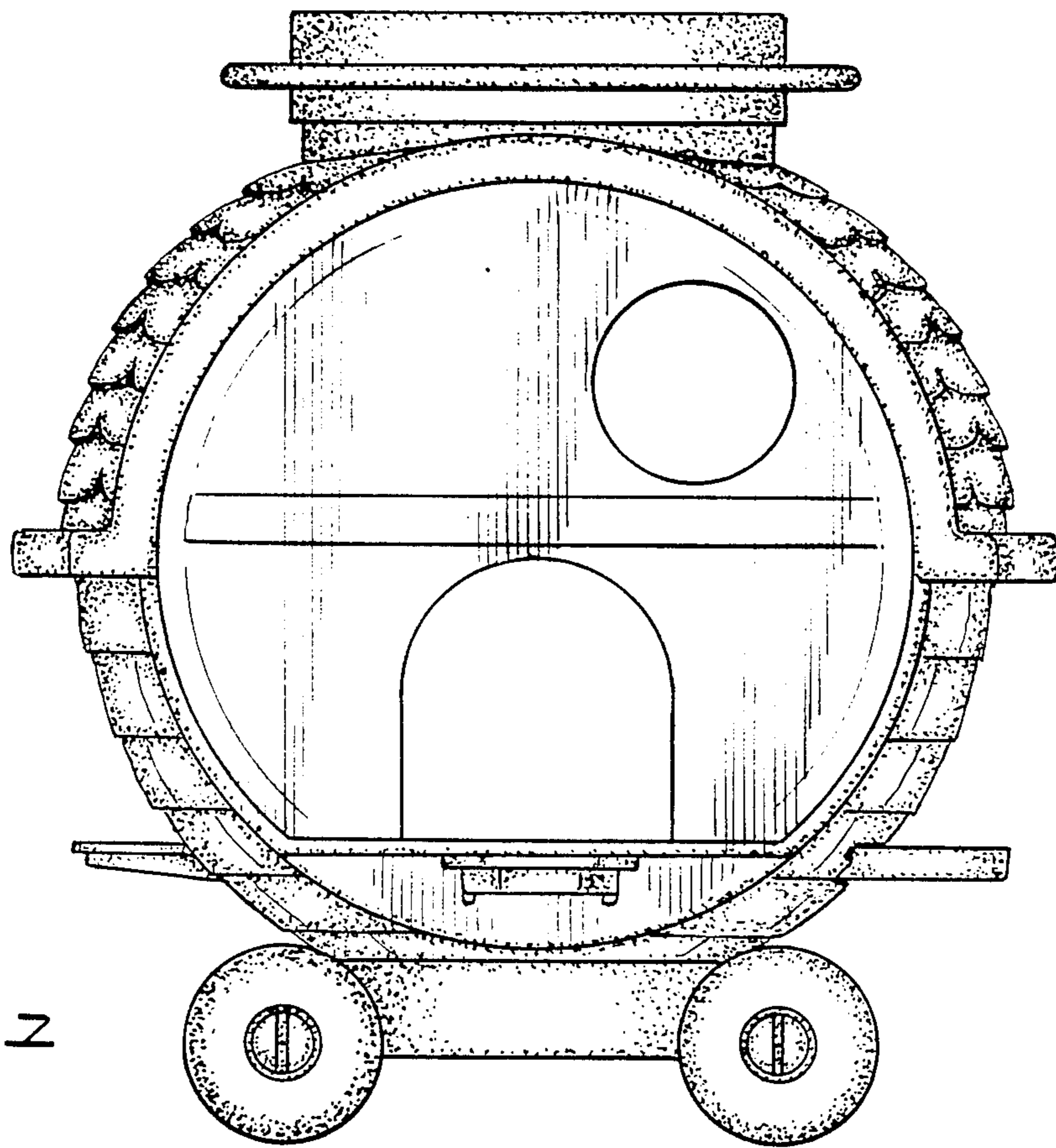


FIG. 1

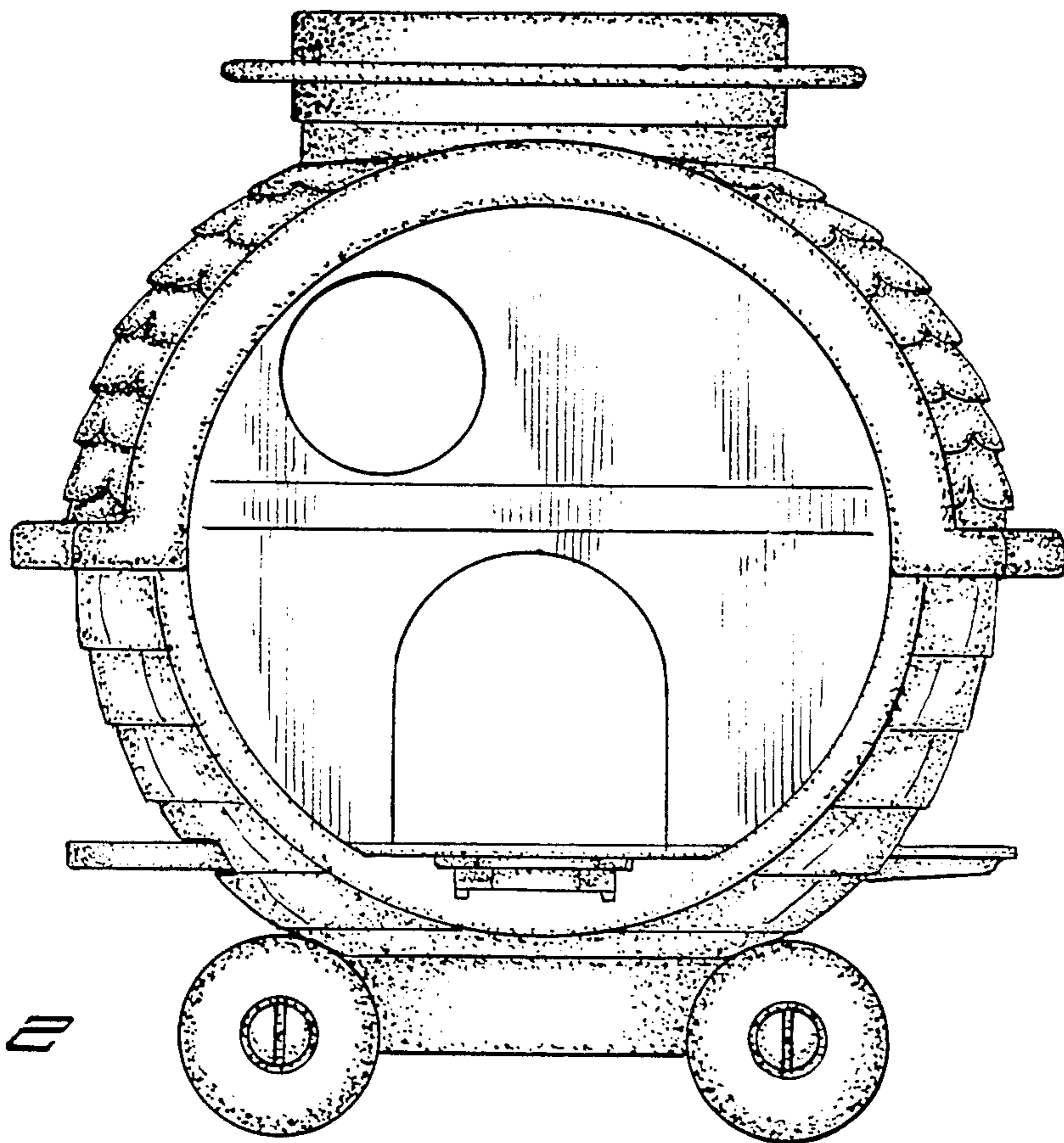


FIG. 2

FIG. 3

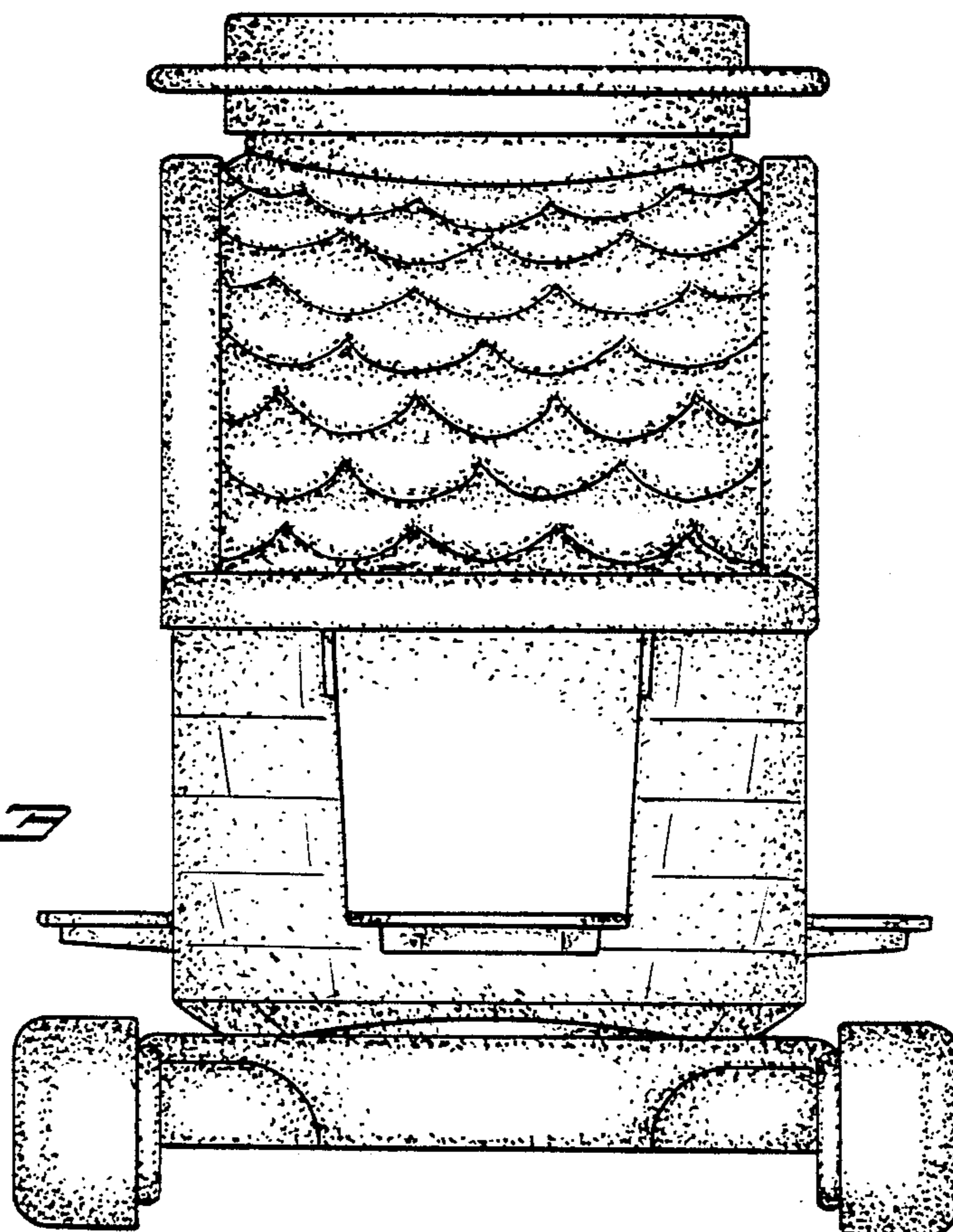
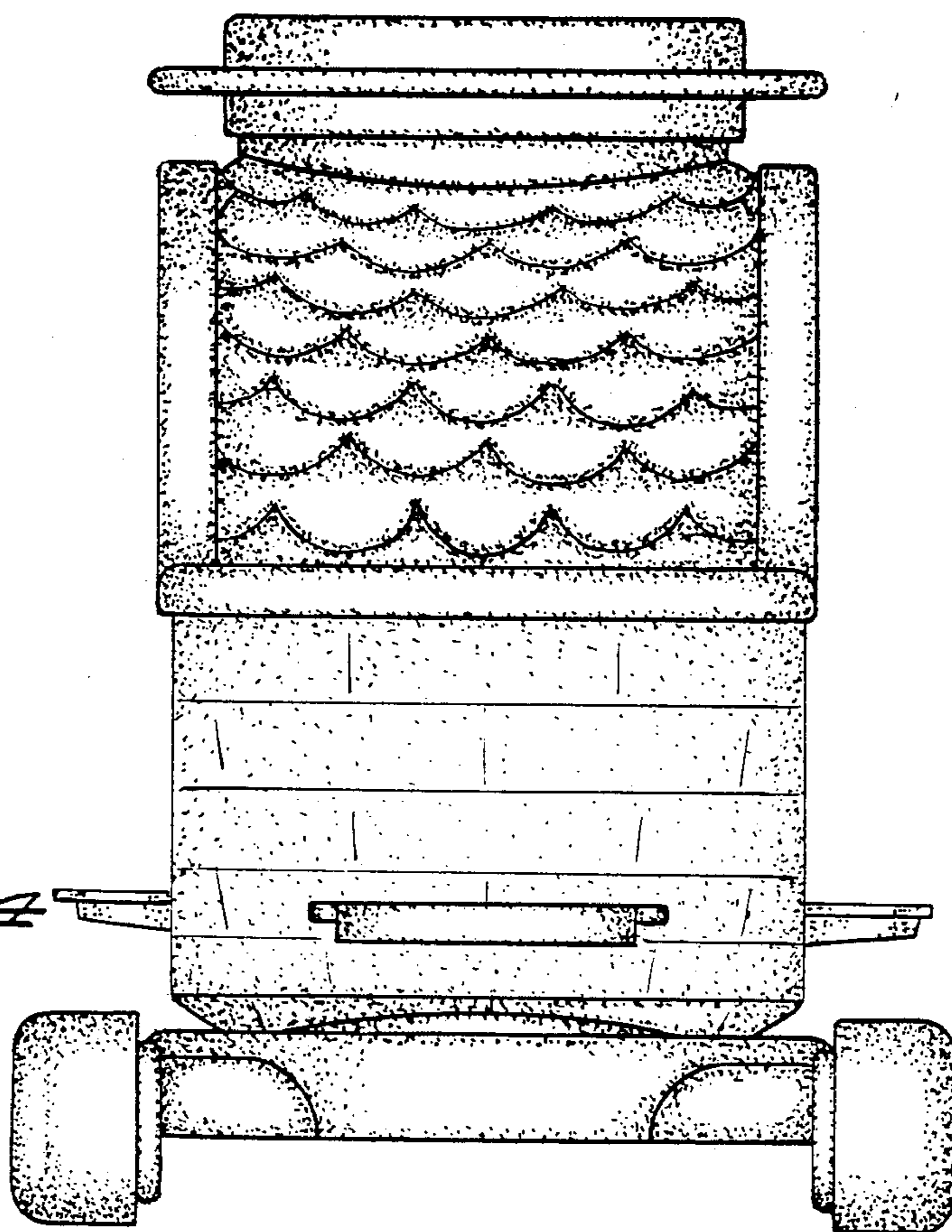


FIG. 4



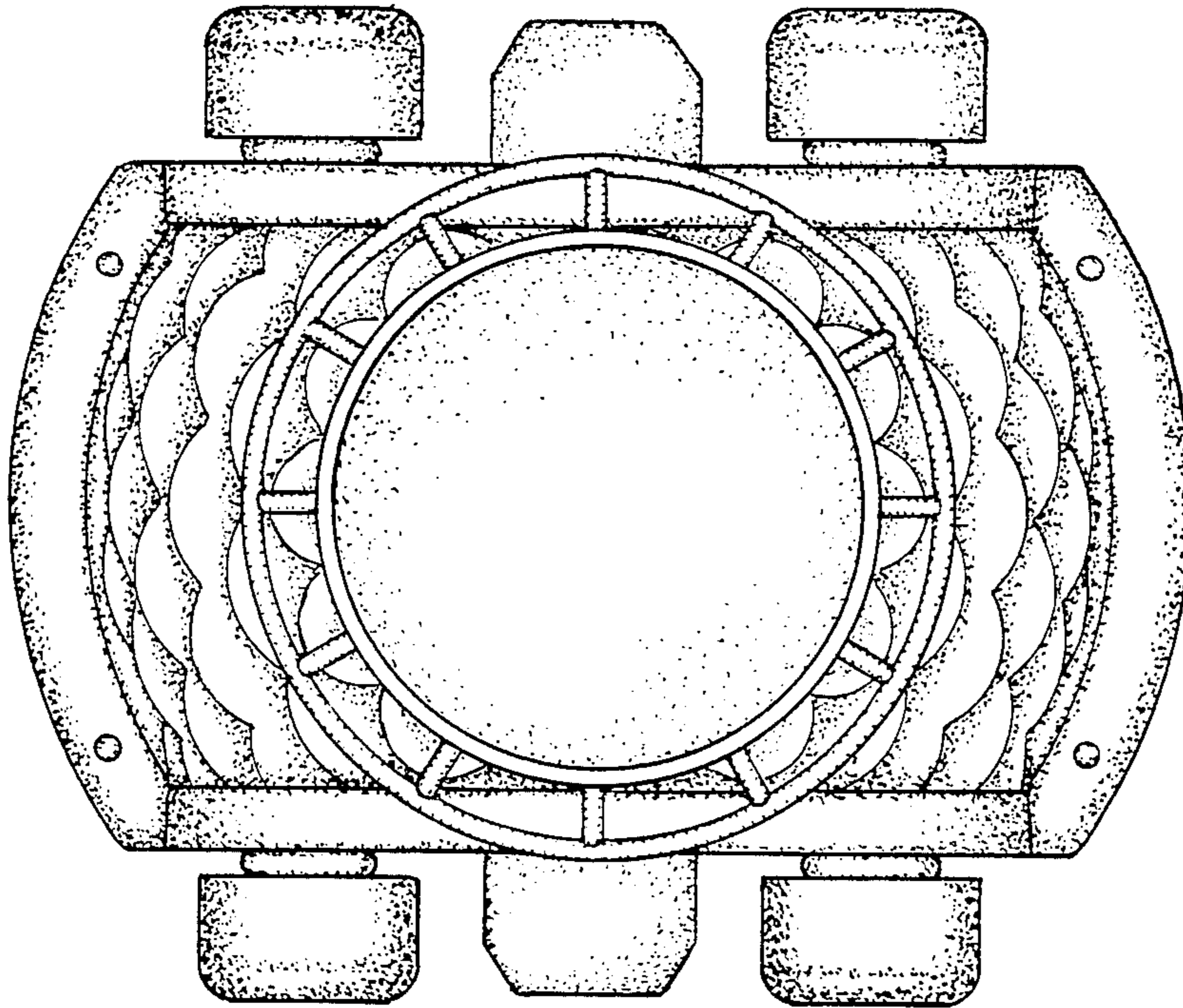


FIG. 5

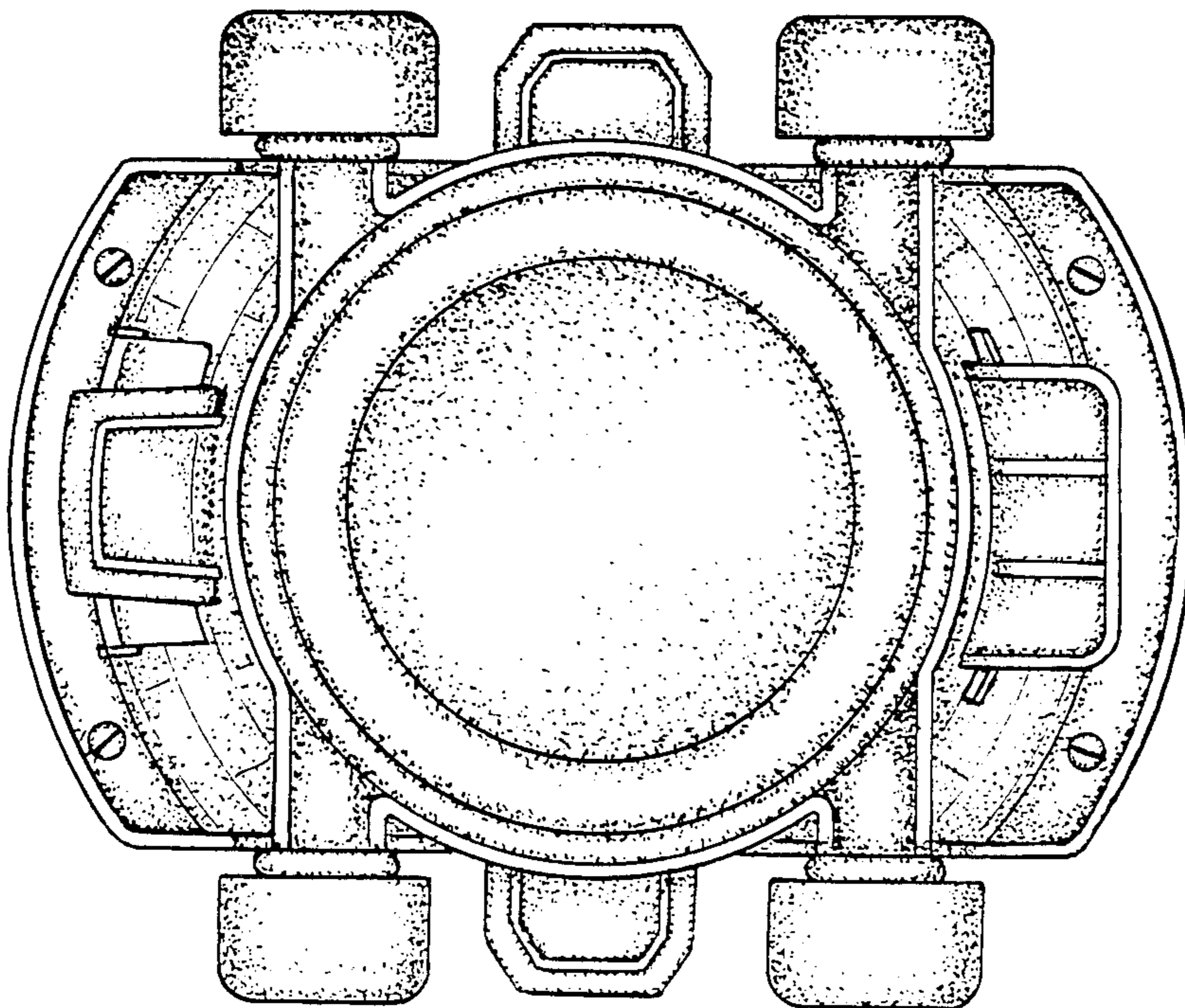


FIG. 6

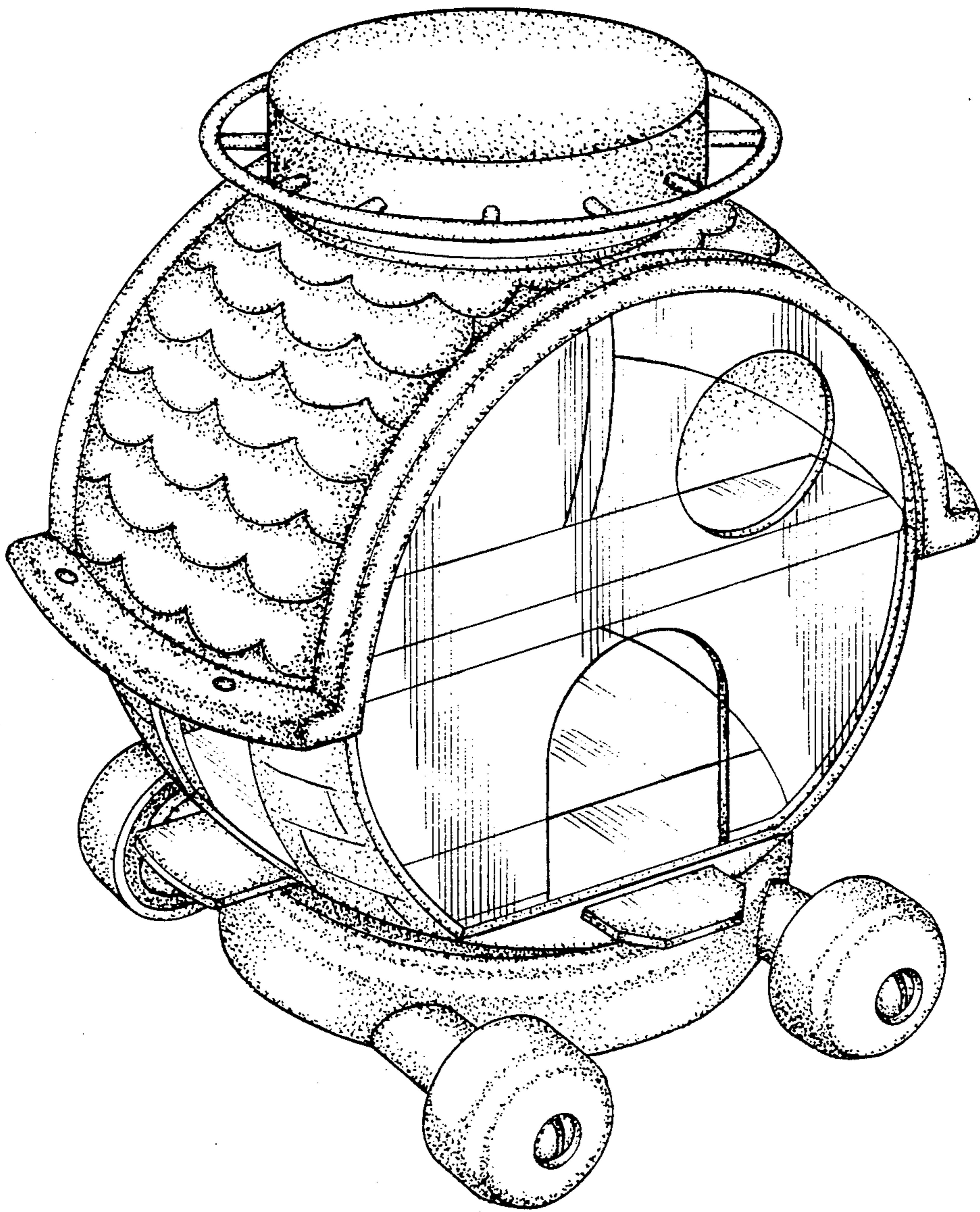


FIG. 7