

[54] RECONFIGURABLE TOY HELICOPTER

[75] Inventor: Daishirou Shibukawa, Tokyo, Japan

[73] Assignee: Takara Co., Ltd., Tokyo, Japan

[\*\*] Term: 14 Years

[21] Appl. No.: 806,226

[22] Filed: Nov. 22, 1985

[30] Foreign Application Priority Data

Oct. 14, 1985 [JP] Japan ..... 60-42970

[52] U.S. Cl. .... D21/90; D21/150; D21/166

[58] Field of Search ..... D21/90, 85, 87, 150, D21/166; D12/327; 446/71, 72, 80, 487, 491

[56] References Cited

U.S. PATENT DOCUMENTS

- D. 143,504 1/1946 Pecker et al. .... D12/327
- D. 179,139 11/1956 Katzenberger ..... D12/327
- D. 287,256 12/1986 Jones et al. .... D21/90
- D. 287,518 12/1986 Ohno ..... D21/166

Primary Examiner—Charles A. Rademaker

Attorney, Agent, or Firm—Price, Gess & Ubell

[57] CLAIM

The ornamental design for a reconfigurable toy helicopter, substantially as shown and described.

DESCRIPTION

FIG. 1 is a front side perspective view of a reconfigurable toy helicopter showing my new design; FIG. 2 is a front elevational view thereof; FIG. 3 is a right side elevational view thereof; FIG. 4 is a left side elevational view thereof; FIG. 5 is a rear elevational view thereof; FIG. 6 is a top plan view thereof; FIG. 7 is a bottom plan view thereof; FIG. 8 is a front side perspective view of the toy of FIG. 1, with optional parts attached; FIG. 9 is a front side perspective view of the toy reconfigured into a robotic humanoid configuration; FIG. 10 is a front elevational view thereof; FIG. 11 is a right side elevational view thereof; FIG. 12 is a left side elevational view thereof; FIG. 13 is a rear elevational view thereof; FIG. 14 is a top plan view thereof; and FIG. 15 is a bottom plan view thereof.

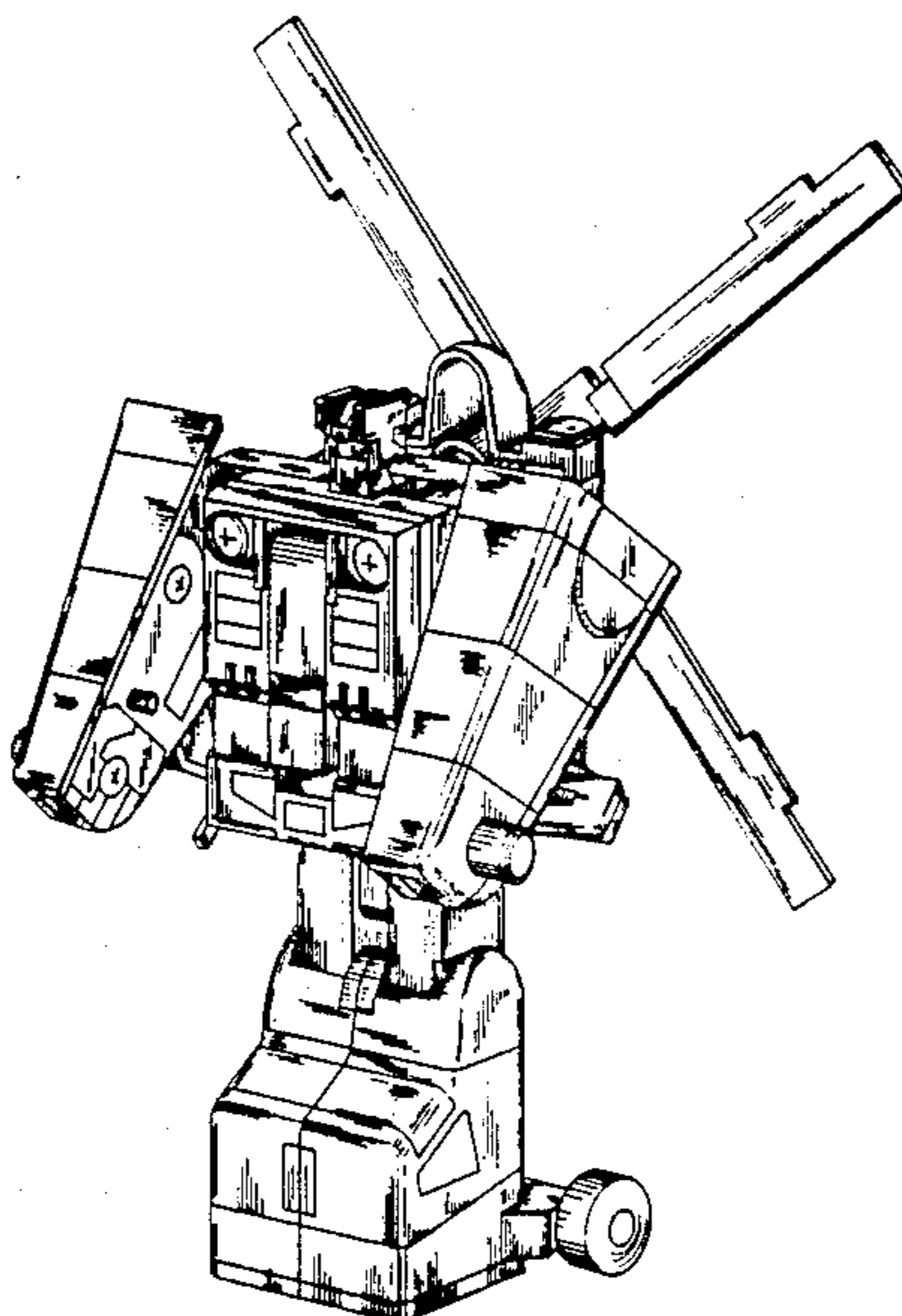
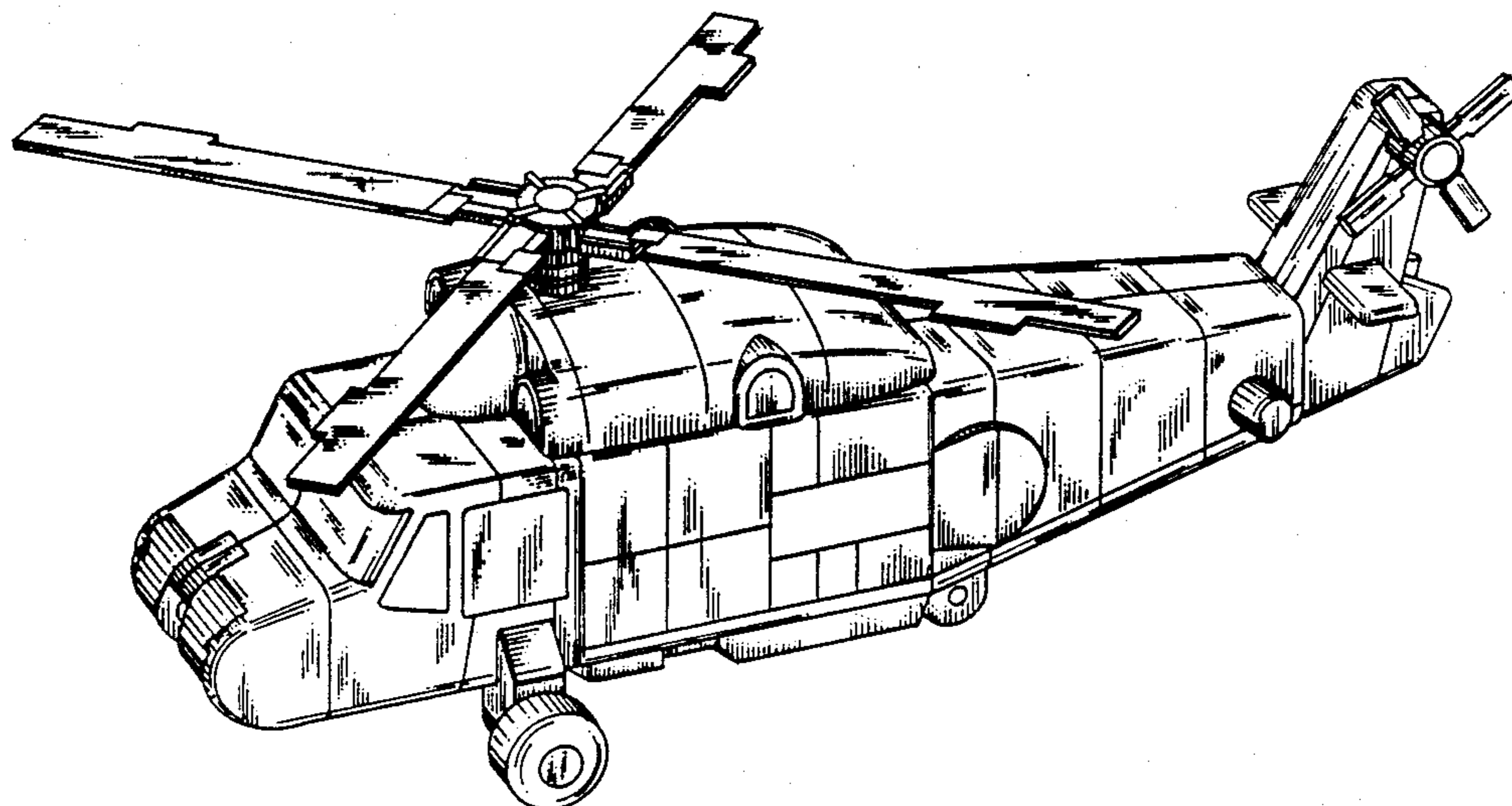


FIG. 1

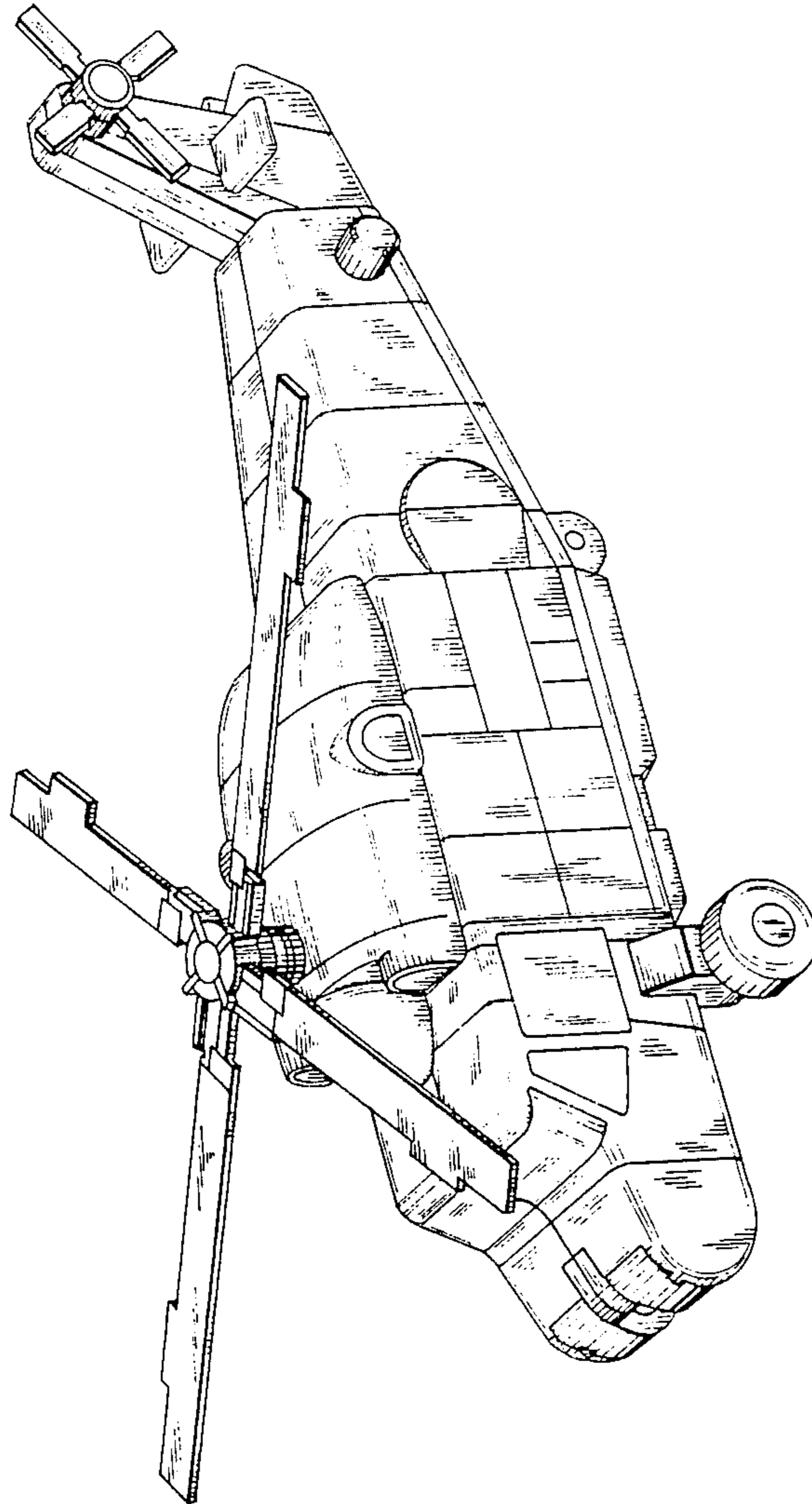


FIG. 2

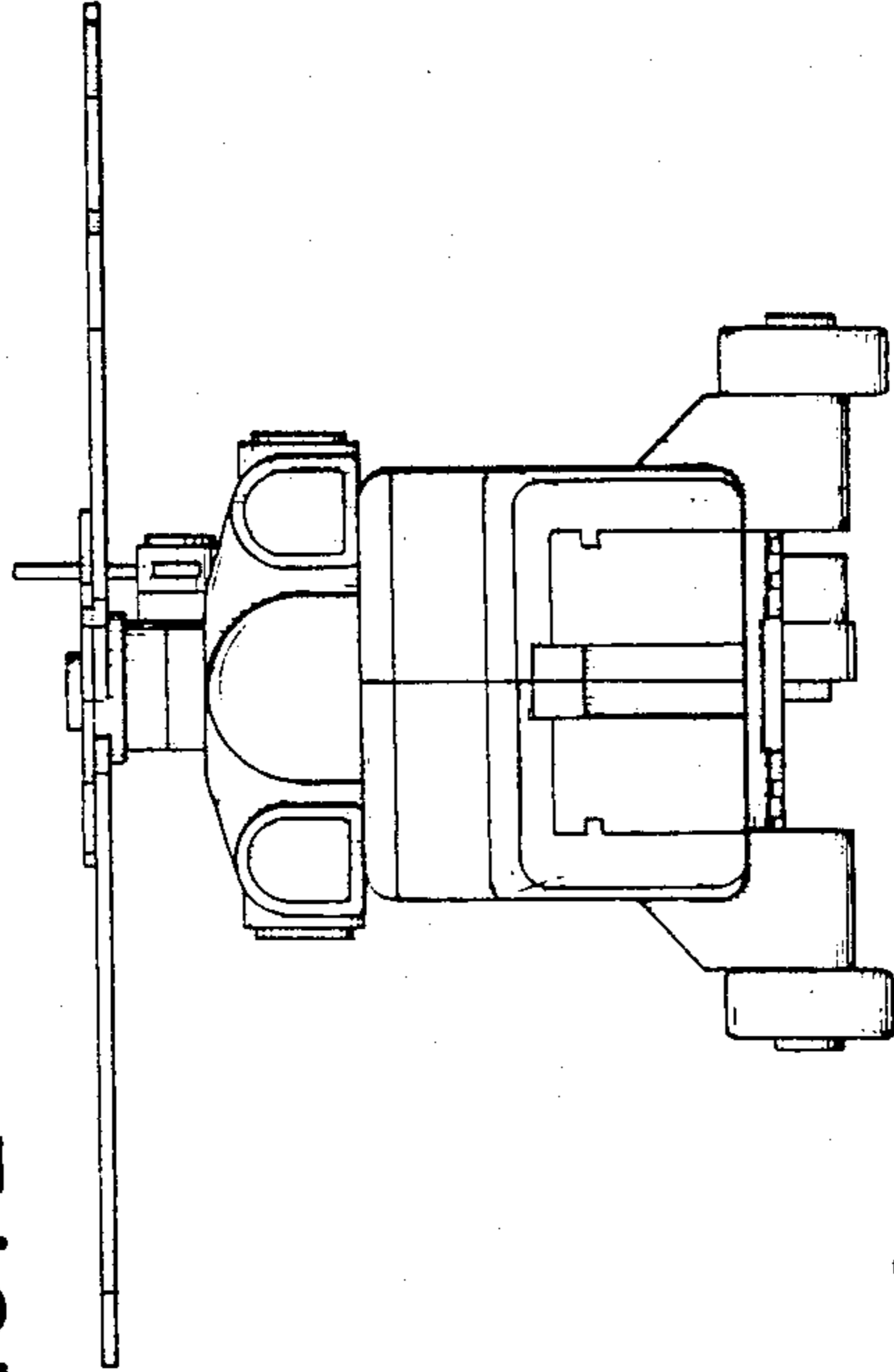


FIG. 3

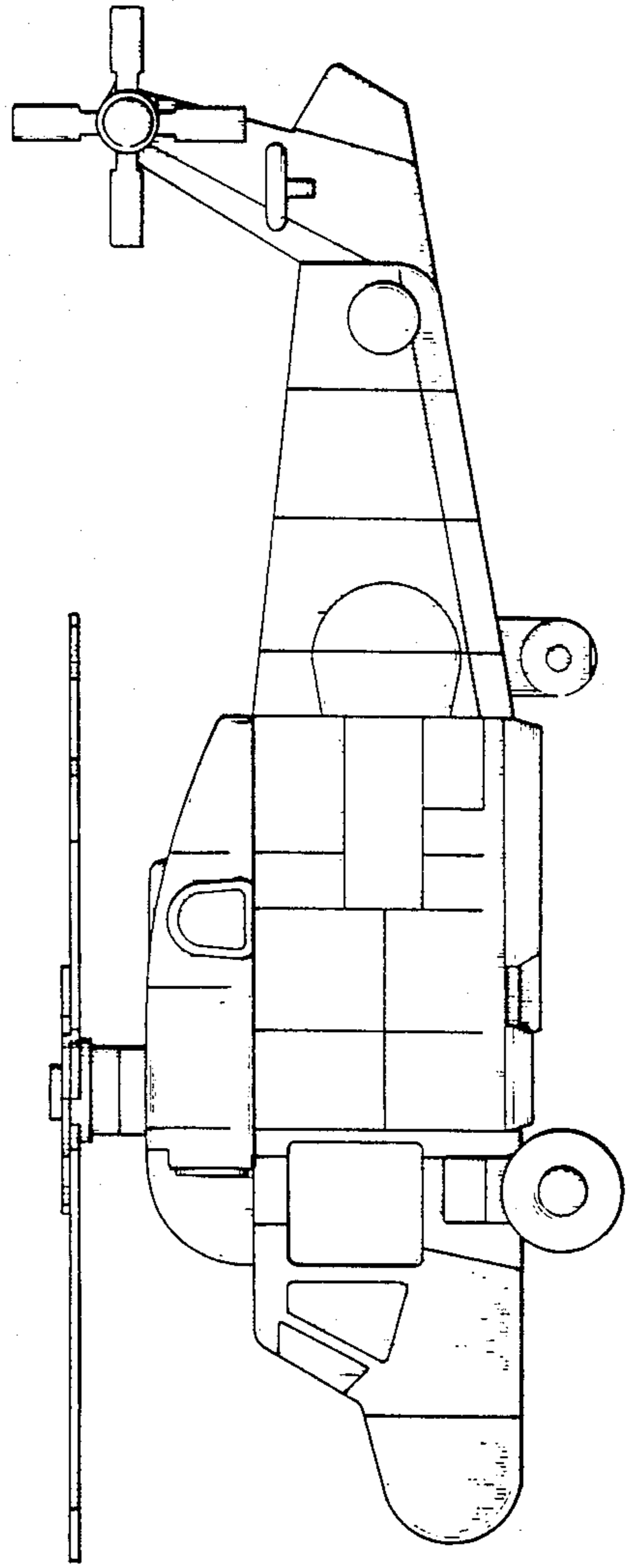


FIG. 4

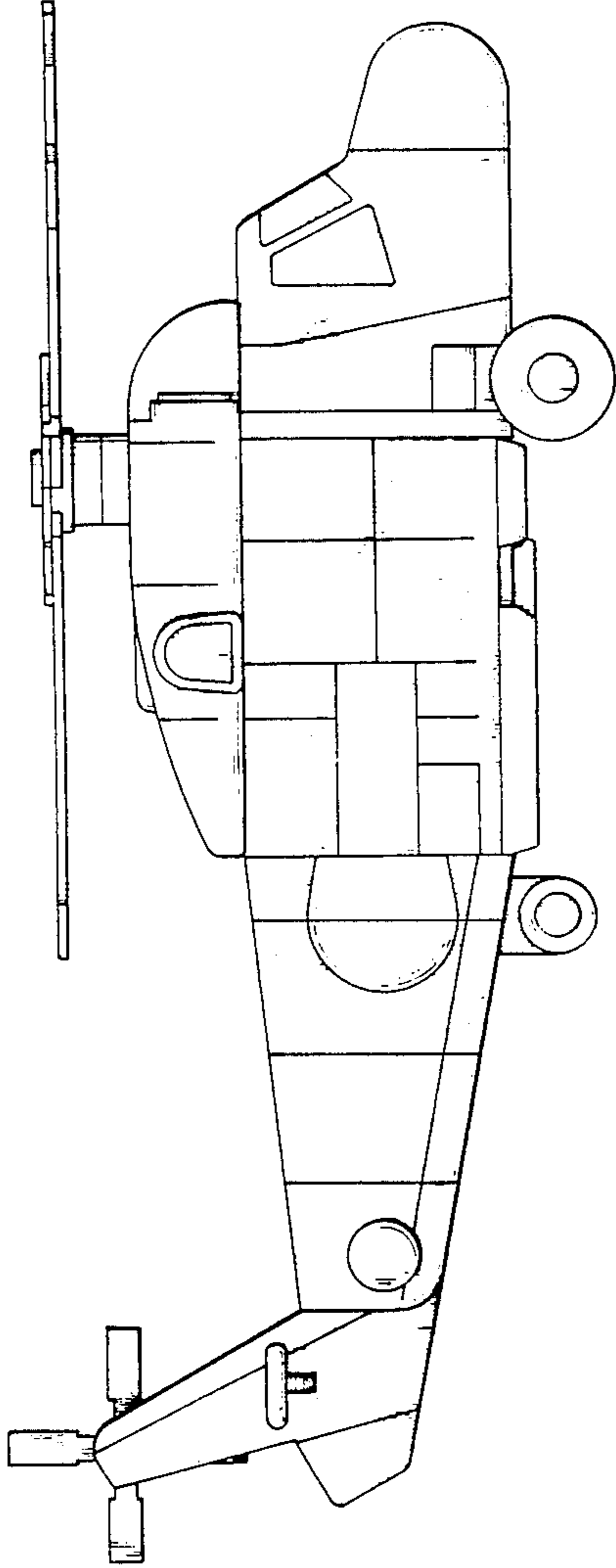


FIG. 5

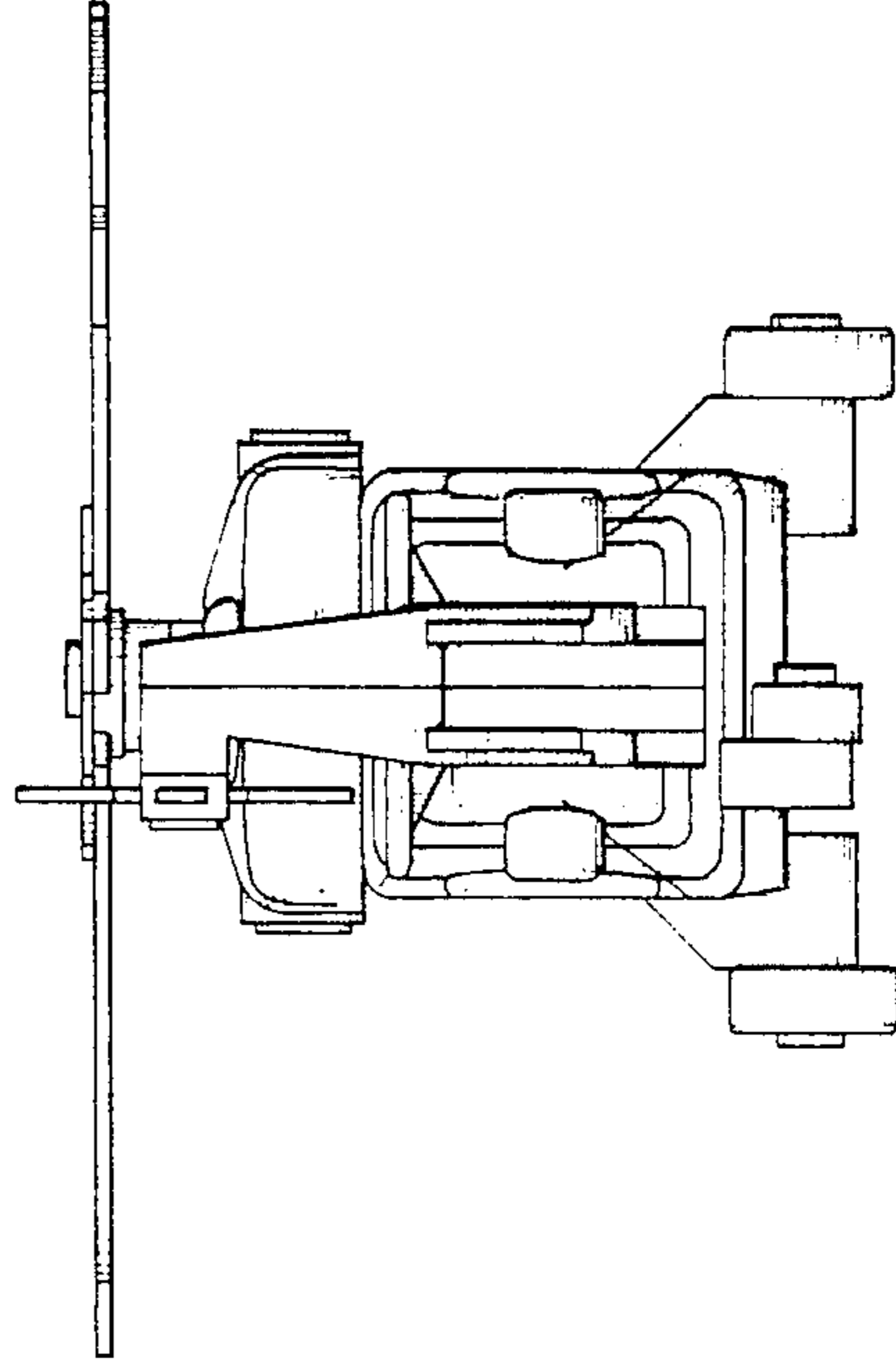


FIG. 6

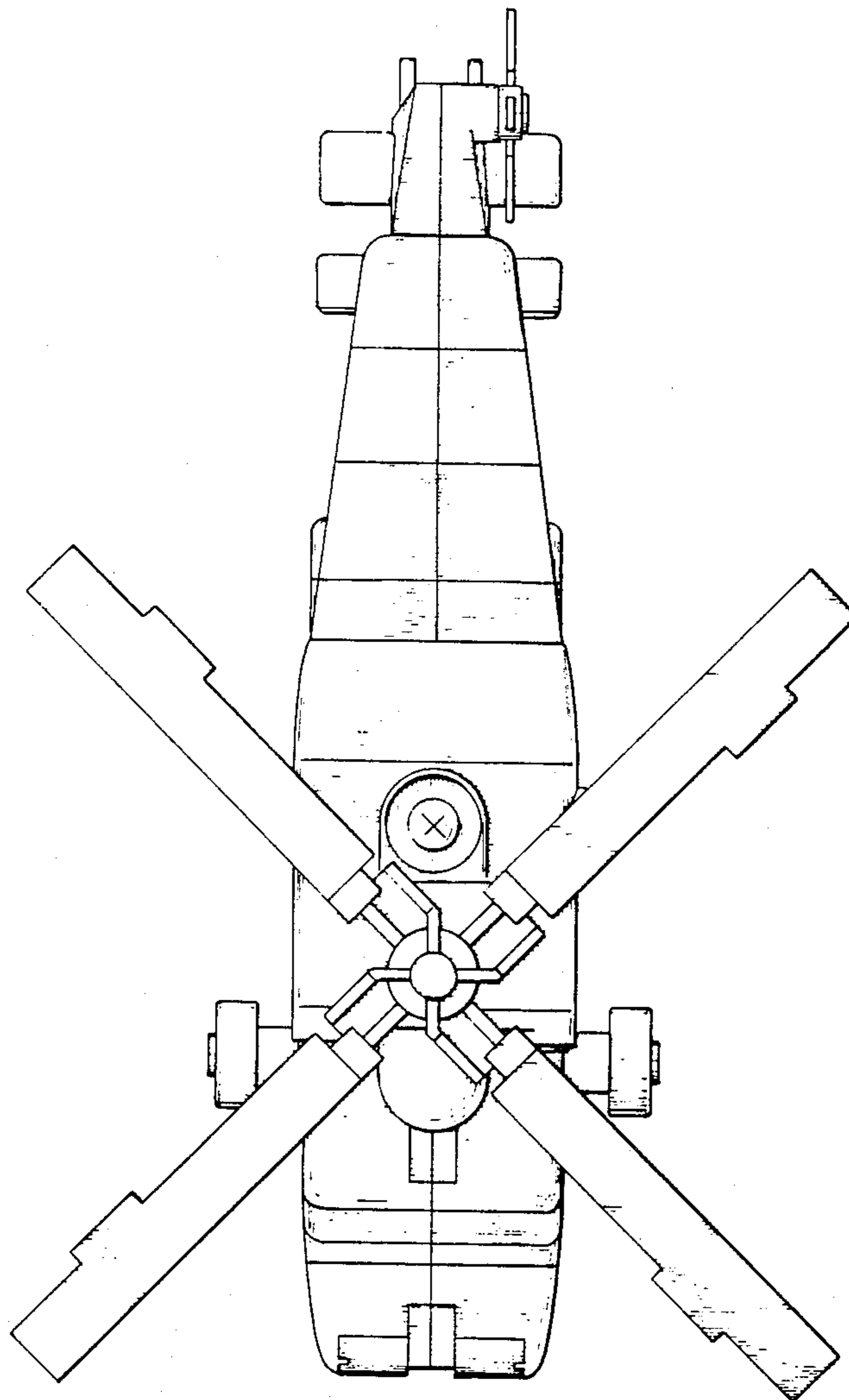


FIG. 7

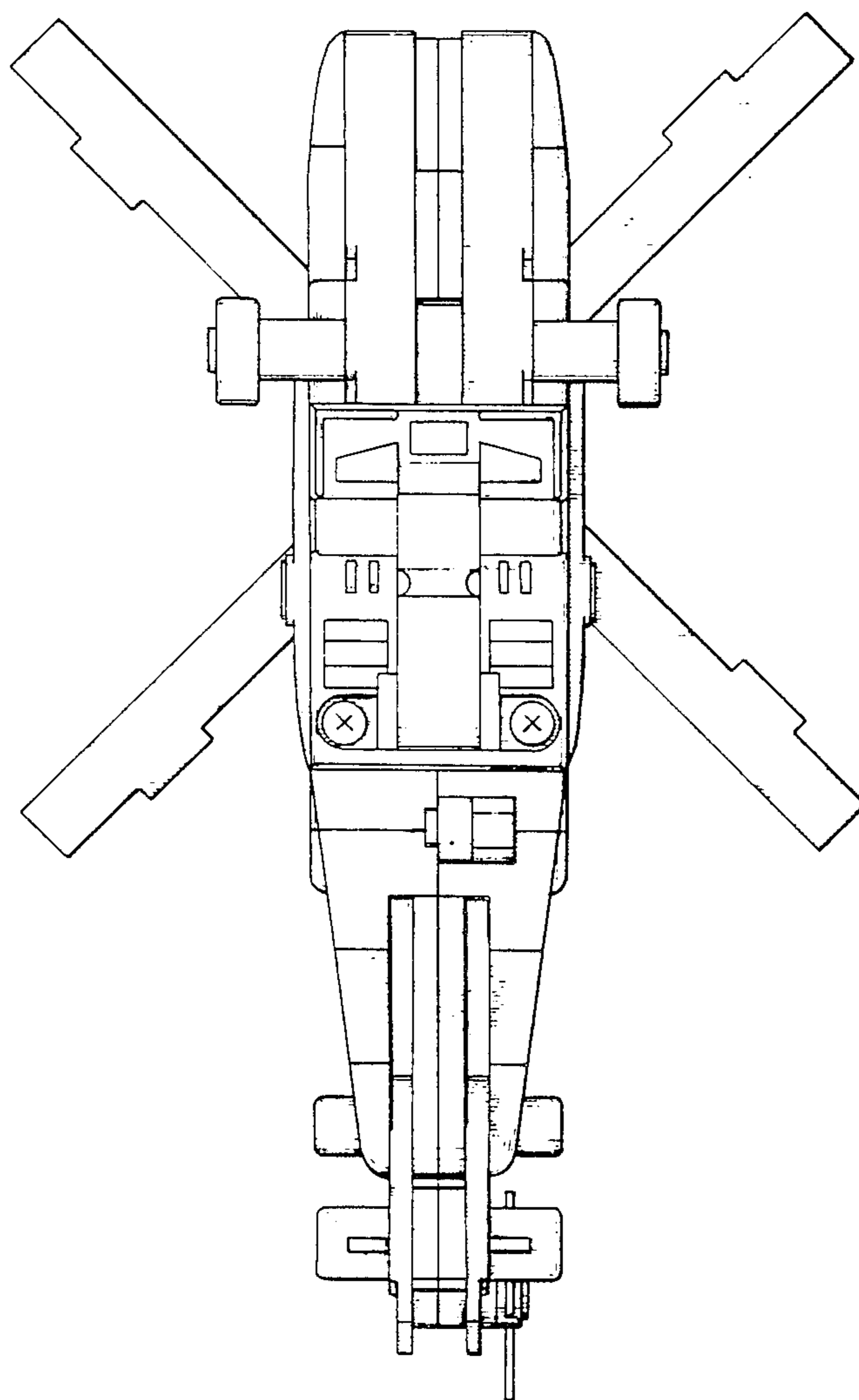


FIG. 8

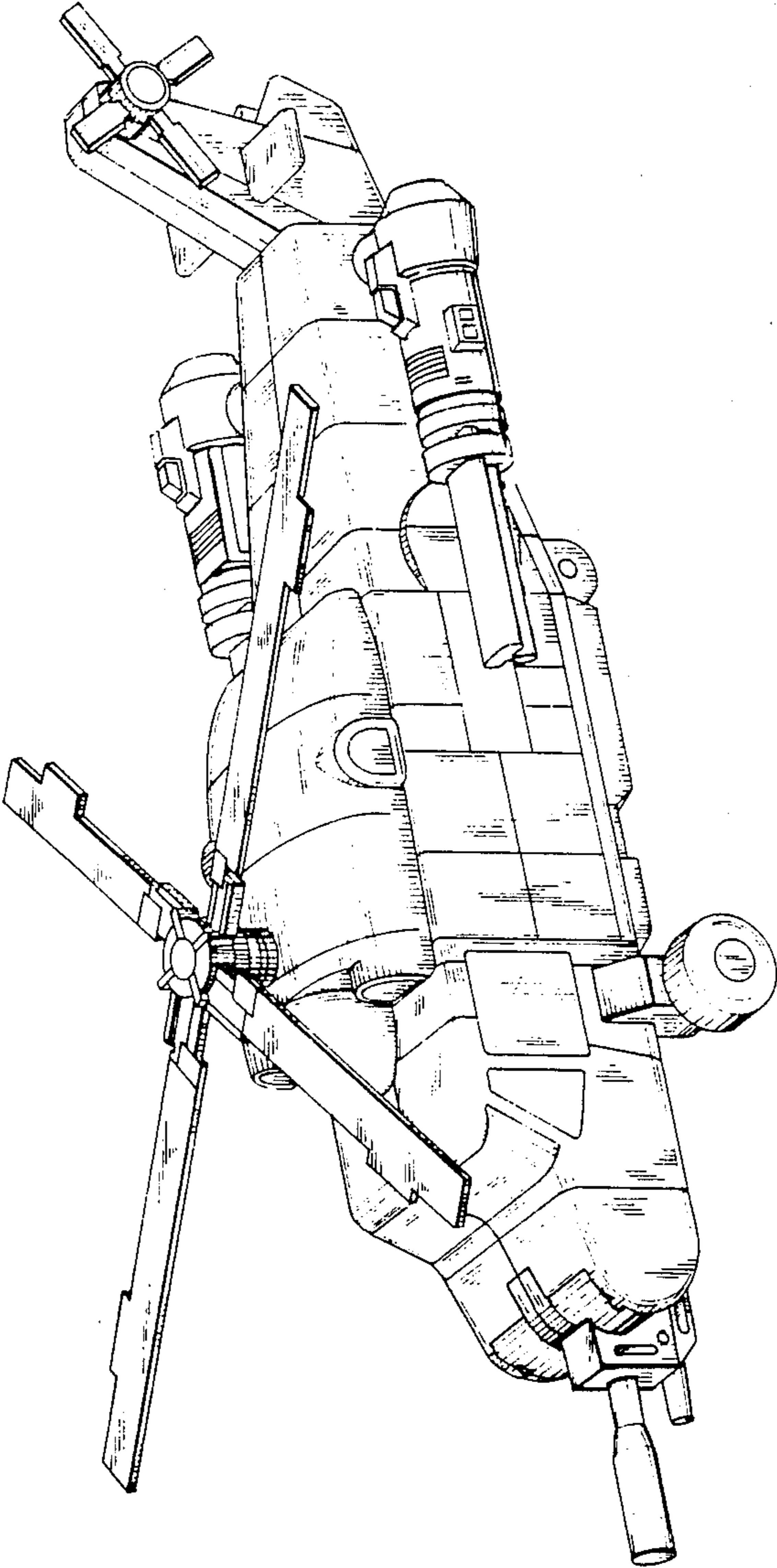


FIG. 9

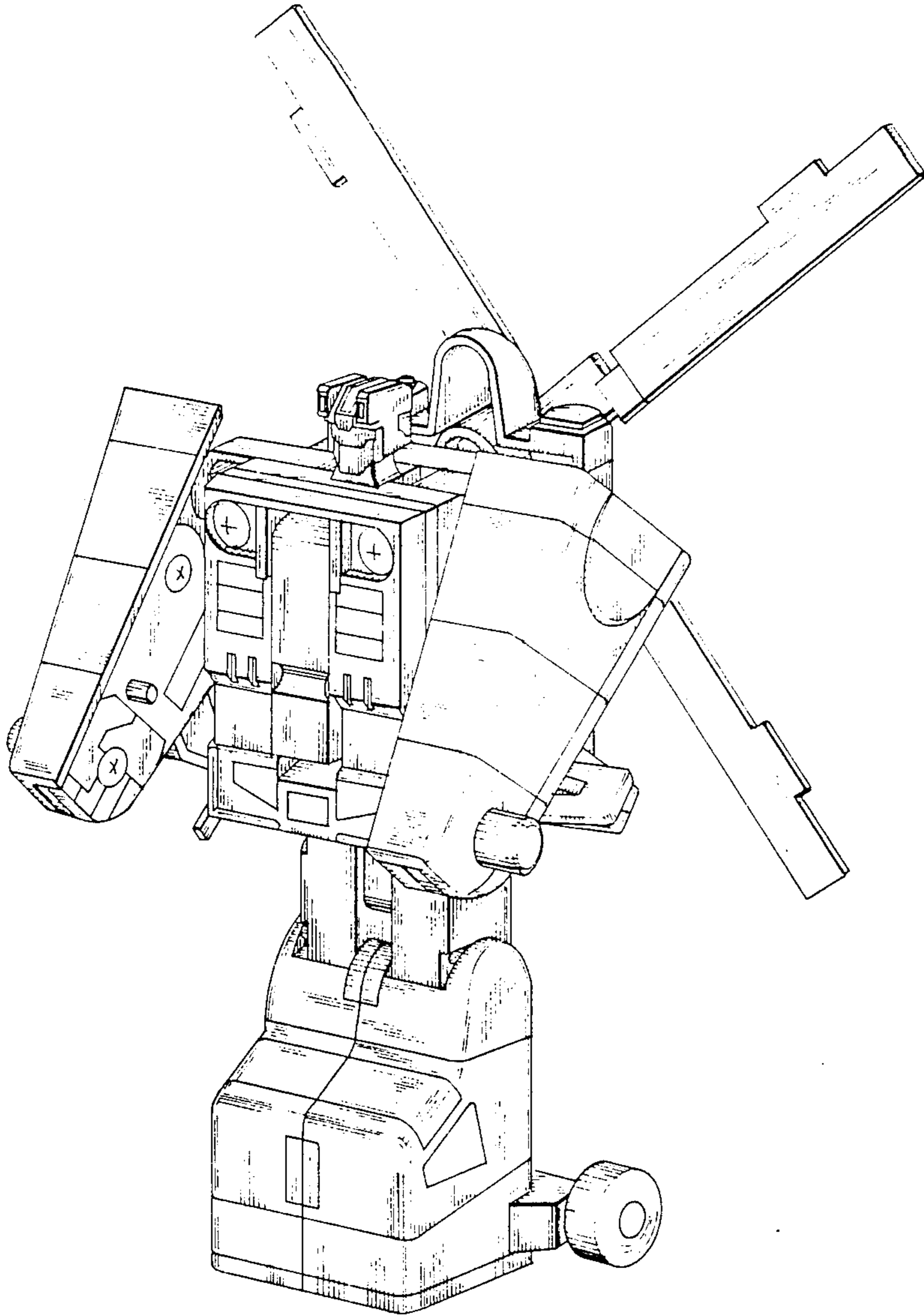




FIG.11

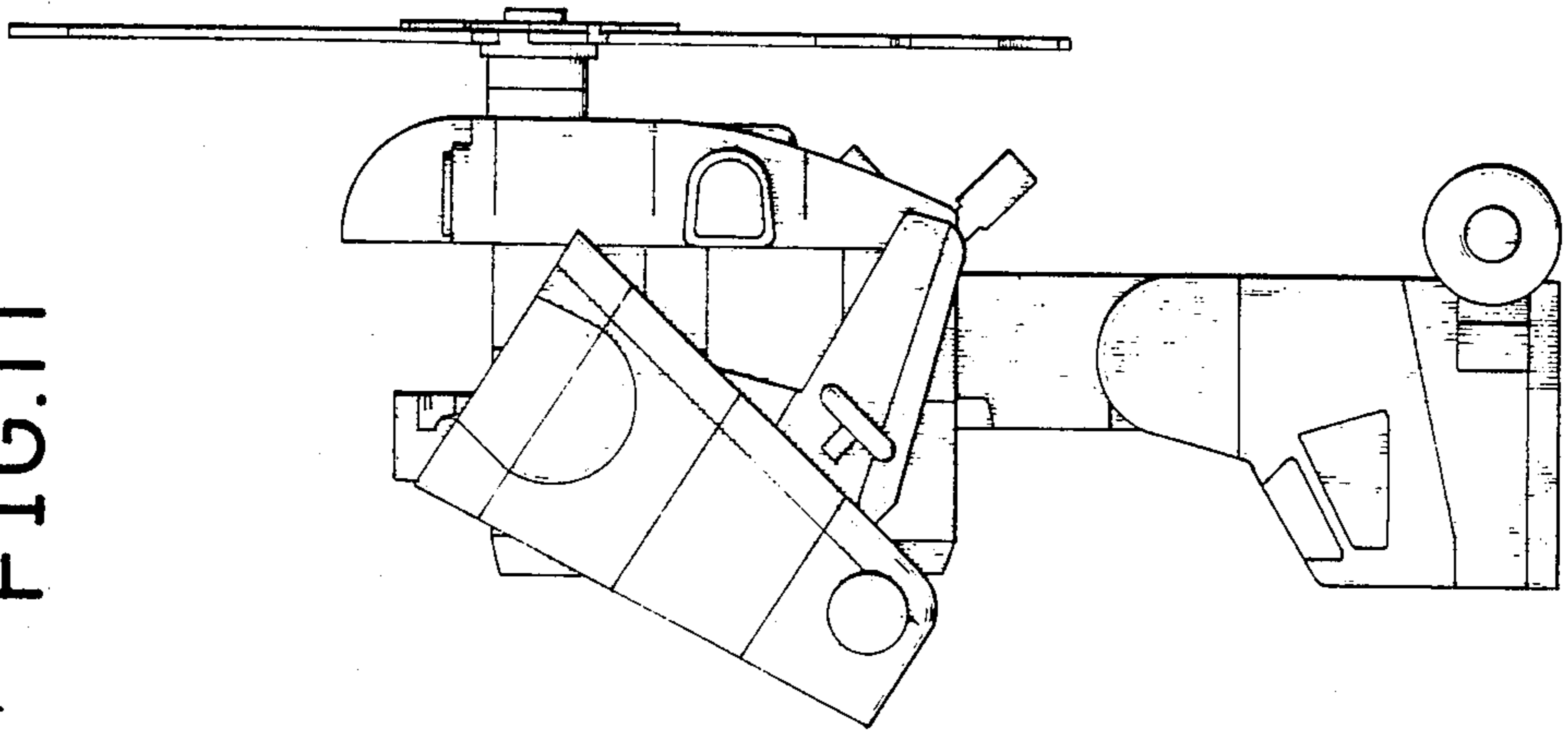


FIG.10

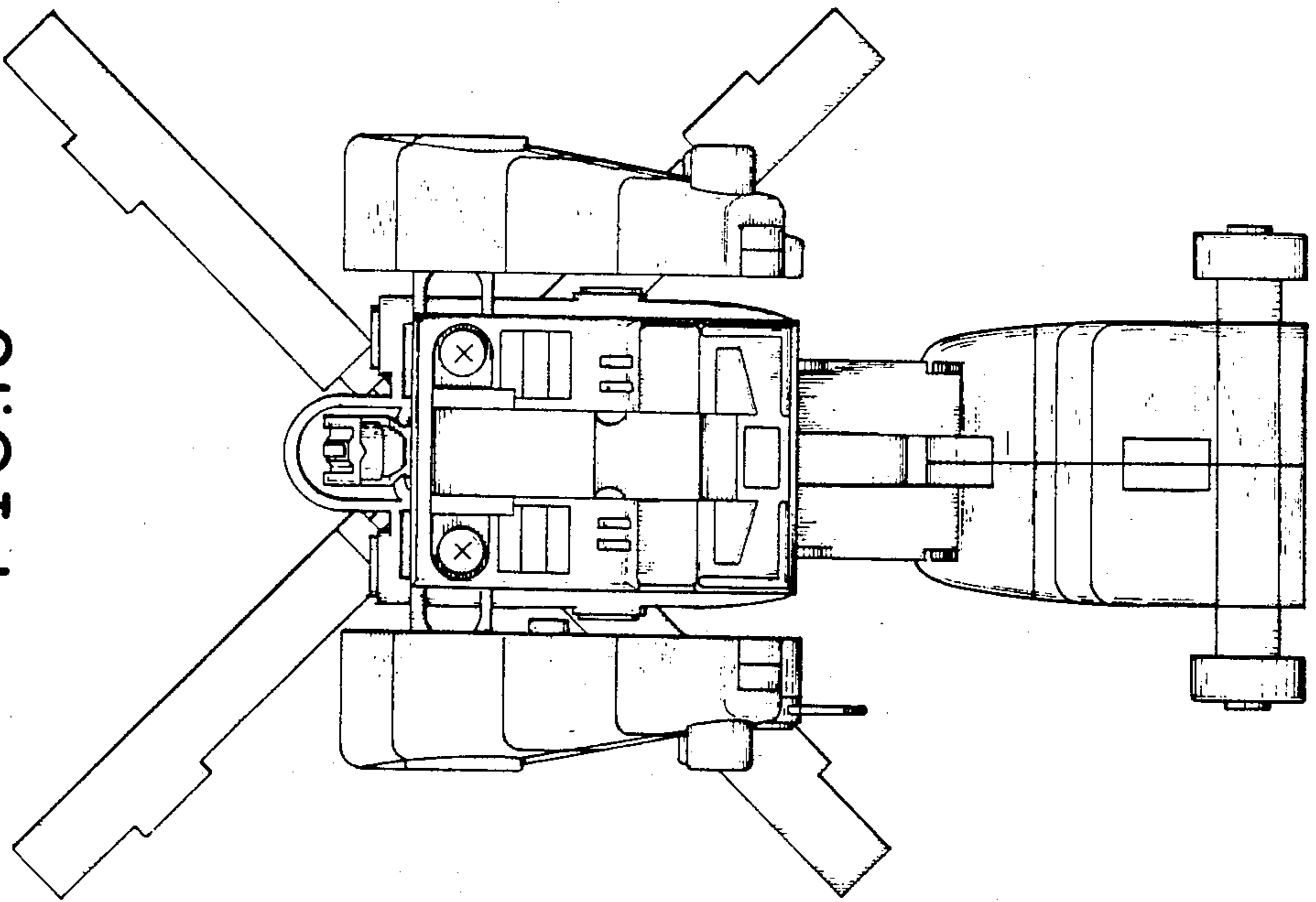


FIG.13

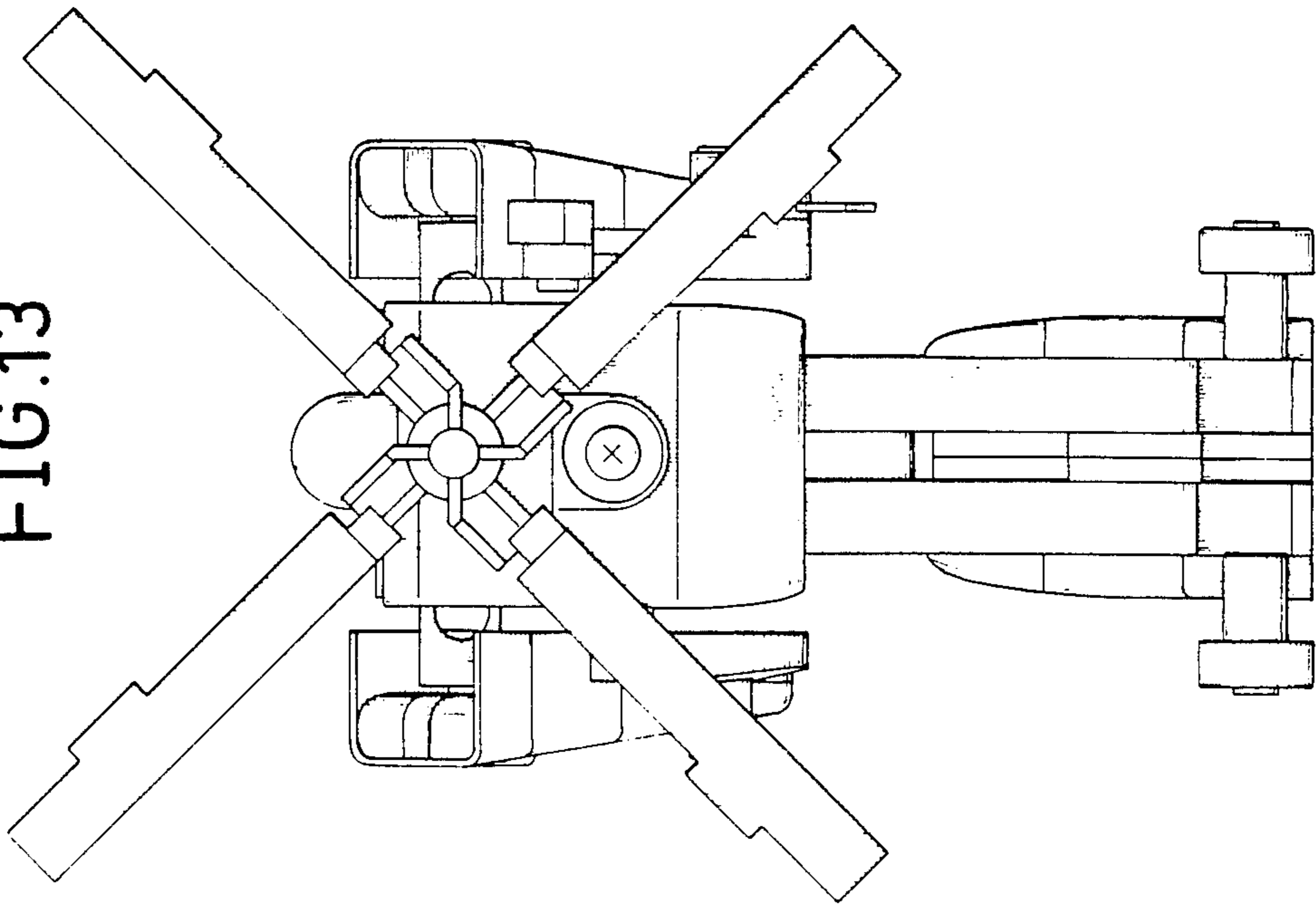


FIG.12

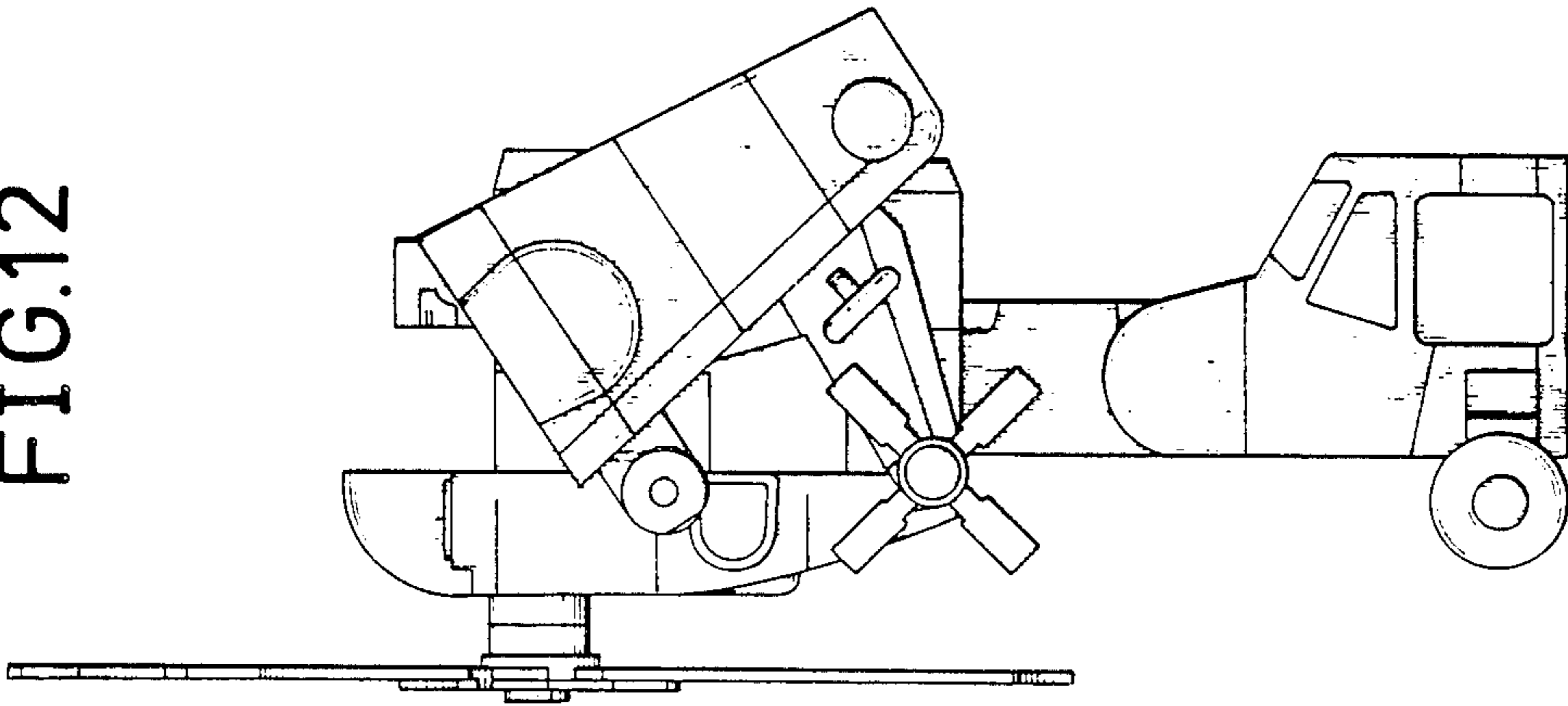


FIG. 14

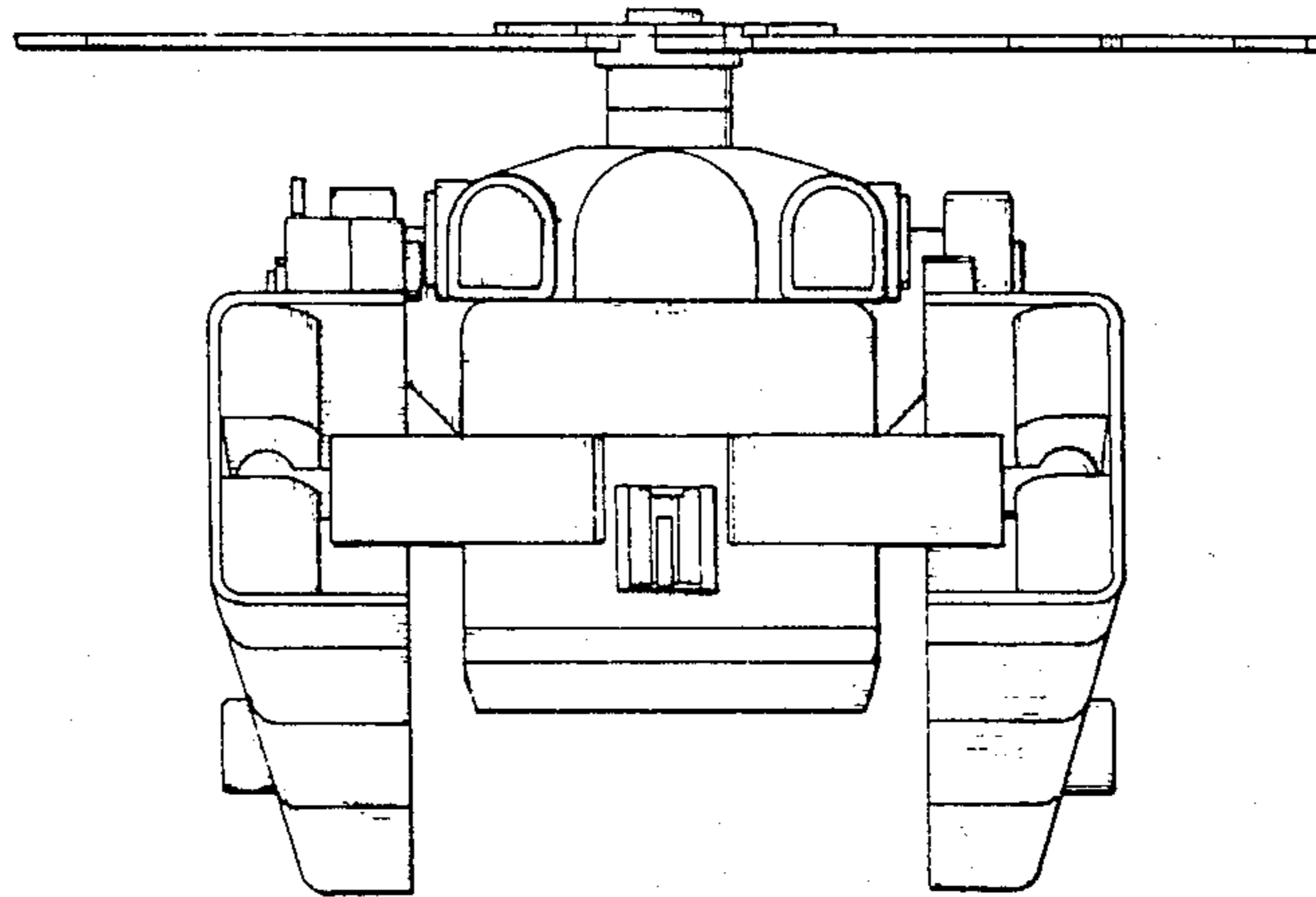


FIG. 15

