

[54] LETTER TRAY OR THE LIKE

[75] Inventor: Gerald J. Klodt, Madison, Wis.

[73] Assignee: W. T. Rogers Company, Madison, Wis.

[**] Term: 14 Years

[21] Appl. No.: 782,362

[22] Filed: Oct. 1, 1985

[52] U.S. Cl. D19/92

[58] Field of Search D19/92, 75, 78, 86, D19/95; 206/558; 211/126; 220/22.1, 22.2; 286/557, 503, 509

[56] References Cited

U.S. PATENT DOCUMENTS

- D. 259,428 6/1981 Macowski D19/92
- D. 274,066 5/1984 Evenson D19/92
- D. 274,067 5/1984 Evenson D19/92

OTHER PUBLICATIONS

Highsmith catalog, 1-1984, p. 75, item #A18-494.
Highsmith catalog, 1-1984, p. 75, item #A18-493.

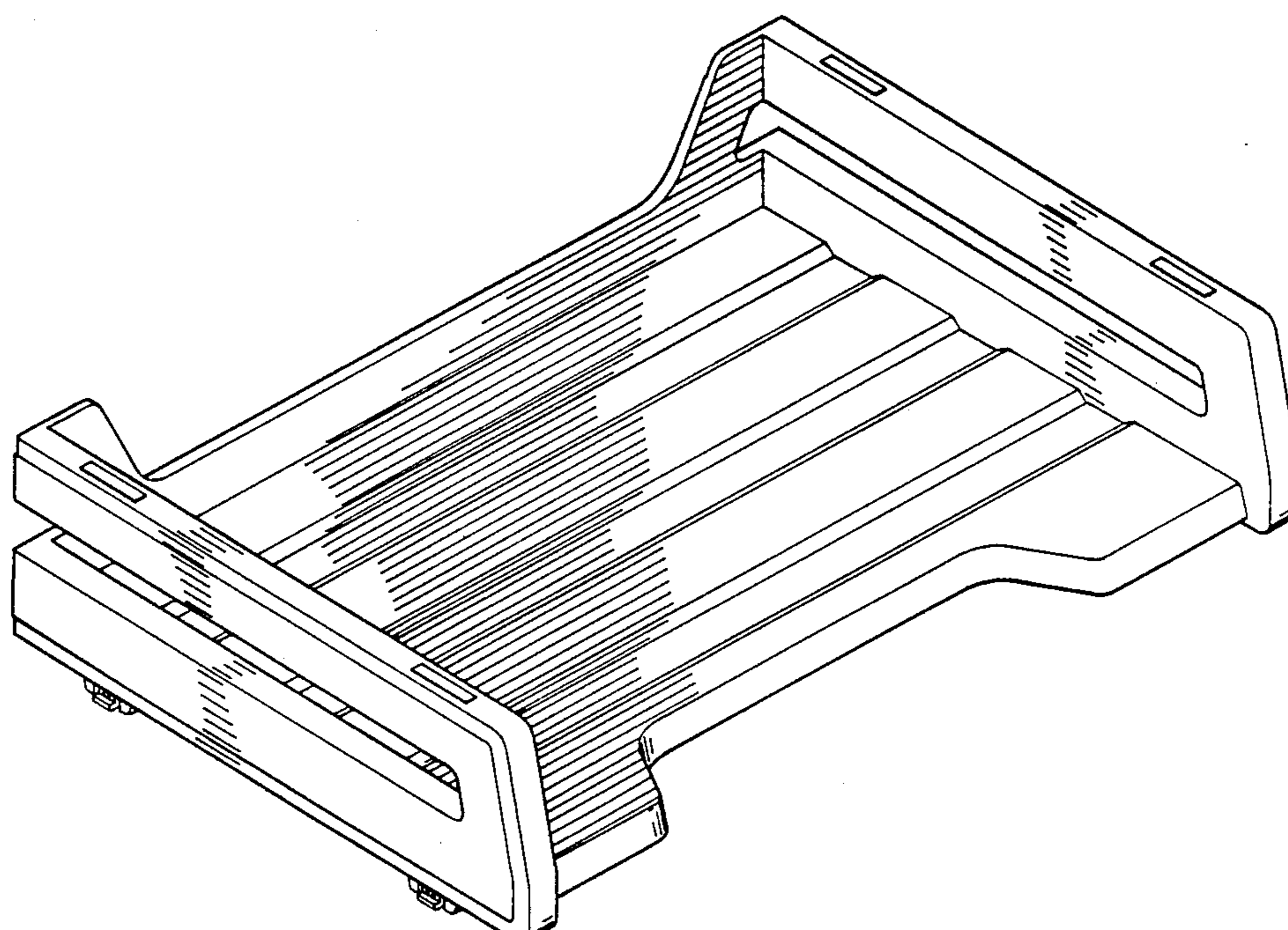
Primary Examiner—Charles A. Rademaker
Attorney, Agent, or Firm—Isaksen, Lathrop, Esch, Hart & Clark

[57] CLAIM

The ornamental design for a letter tray or the like, as shown and described.

DESCRIPTION

FIG. 1 is a perspective view of a letter tray or the like, showing my new design;
FIG. 2 is a front elevational view thereof;
FIG. 3 is a right side elevational view thereof, the side opposite being a mirror image;
FIG. 4 is a top plan view thereof;
FIG. 5 is a rear elevational view thereof; and,
FIG. 6 is a bottom plan view thereof.



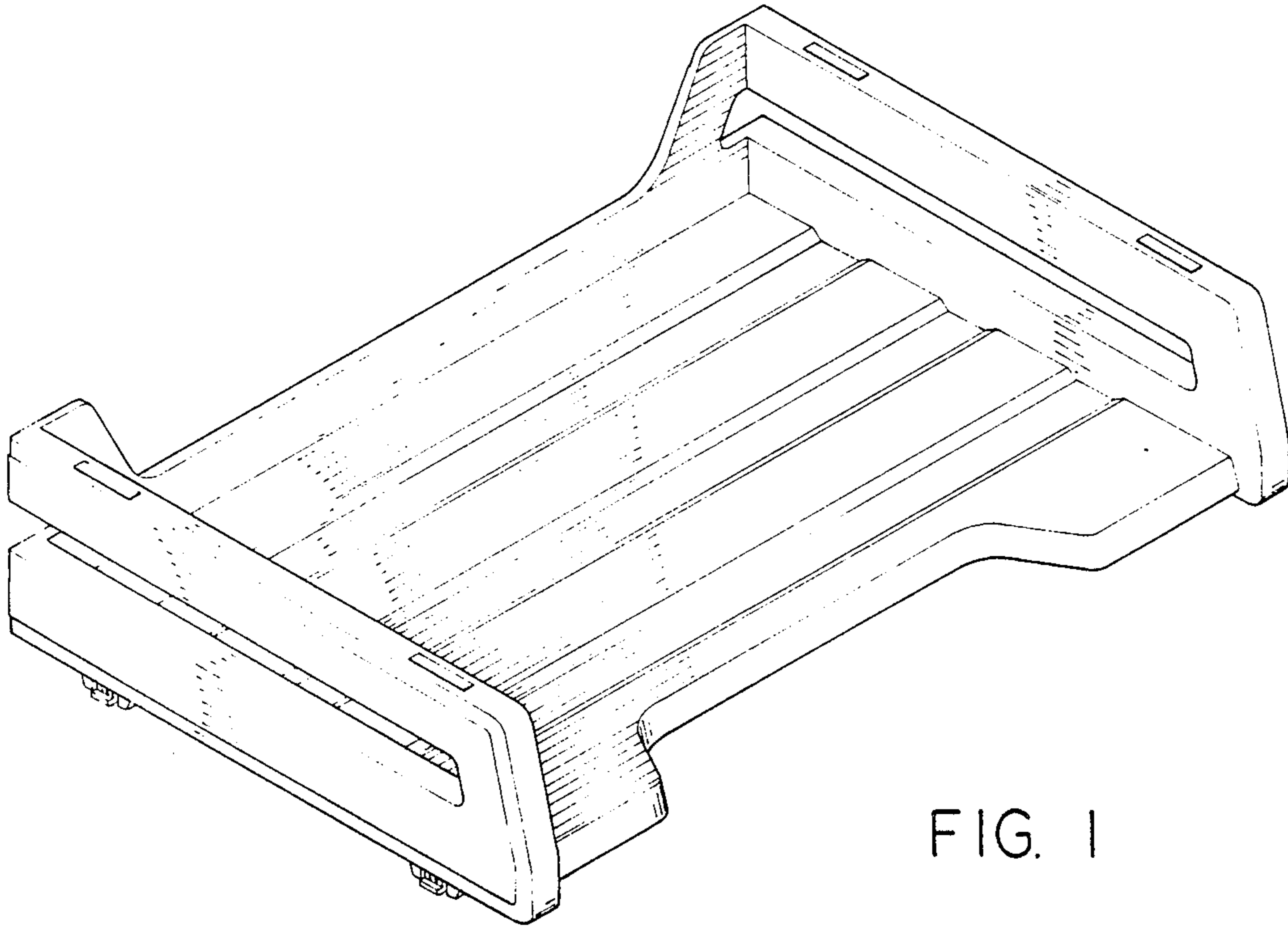


FIG. 1

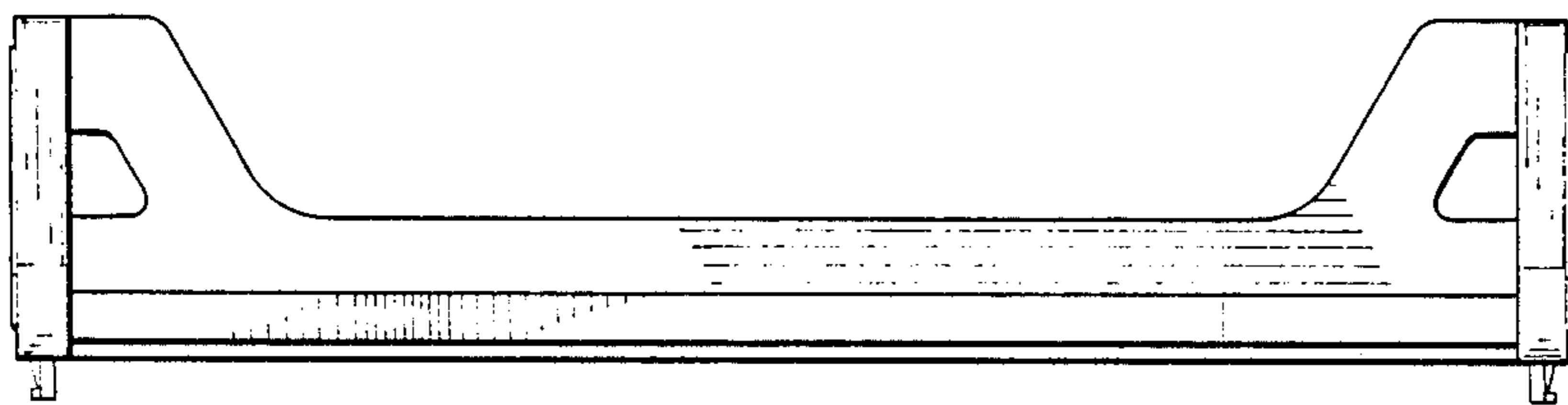


FIG. 2

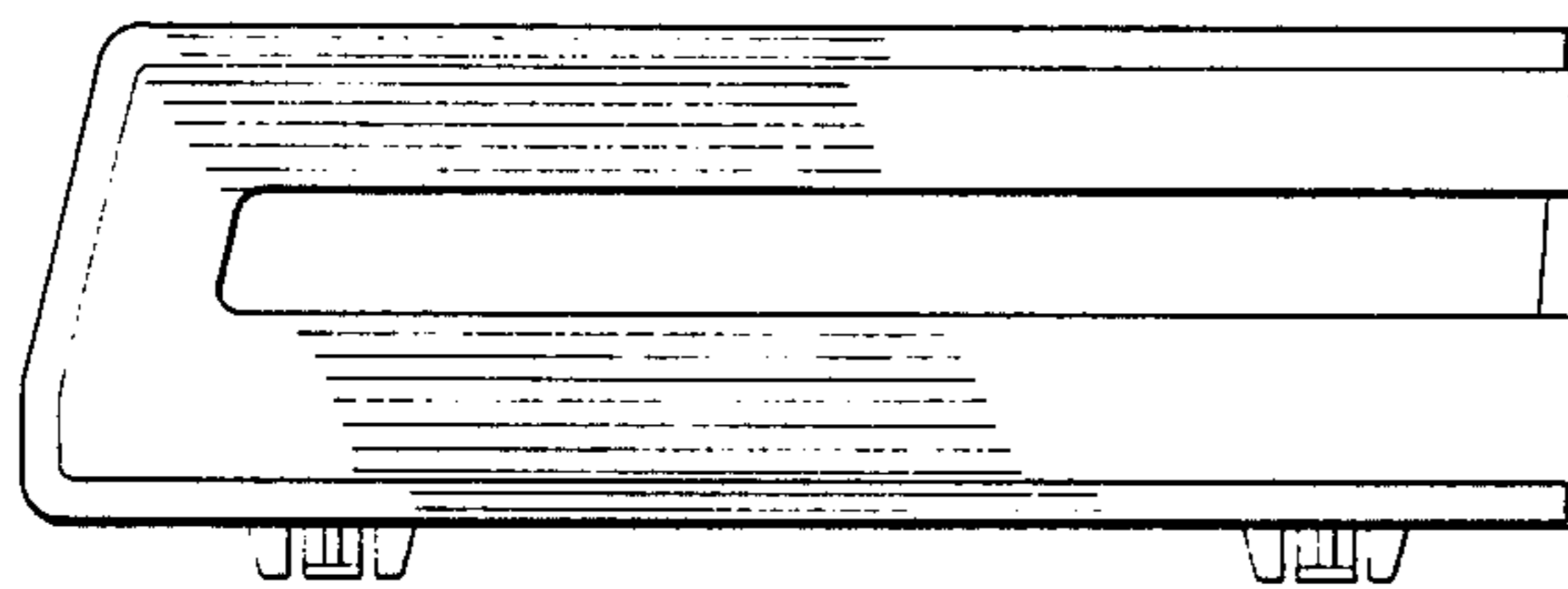


FIG. 3

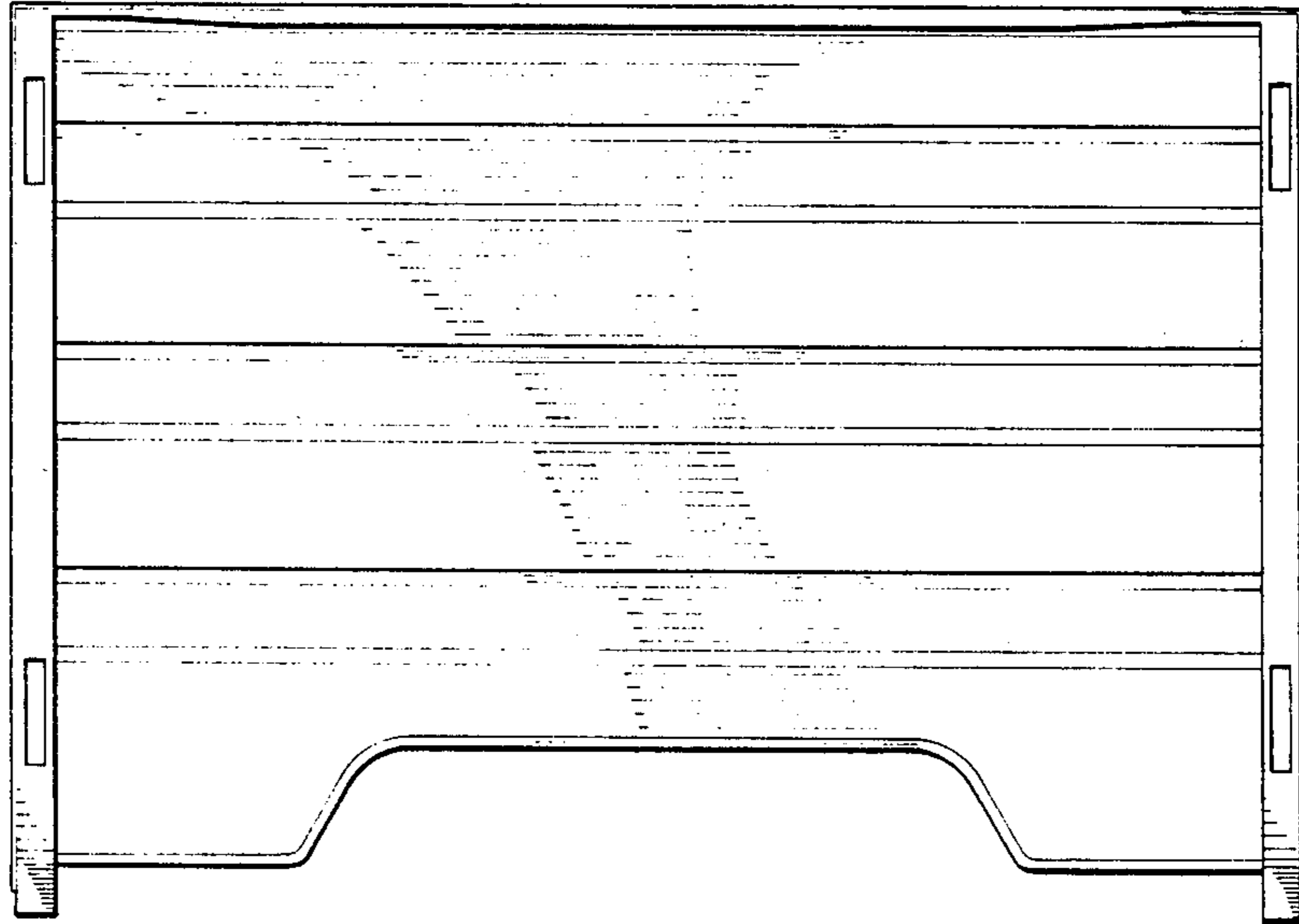


FIG. 4

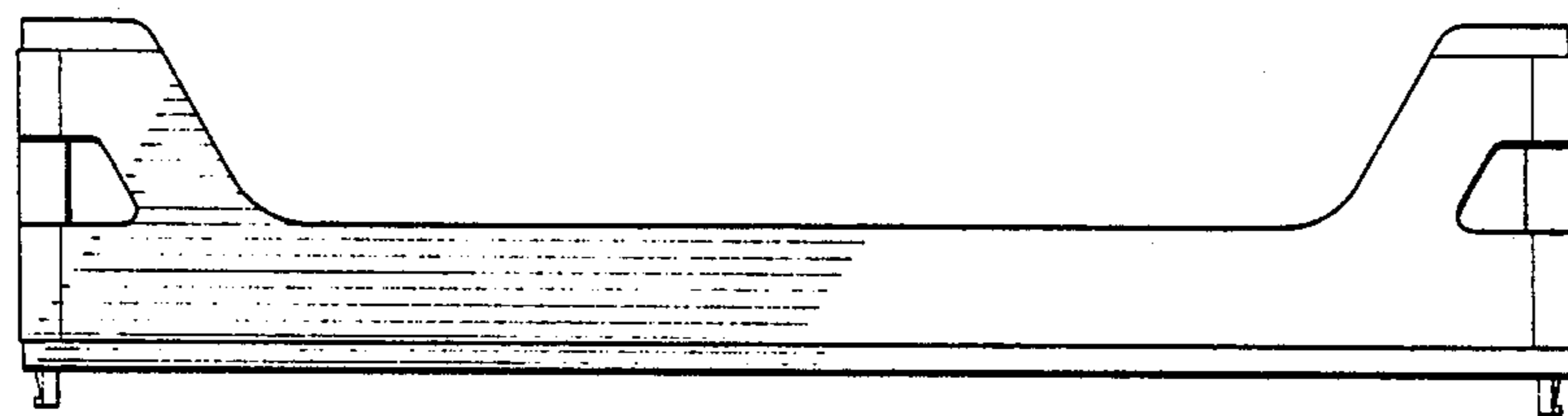


FIG. 5

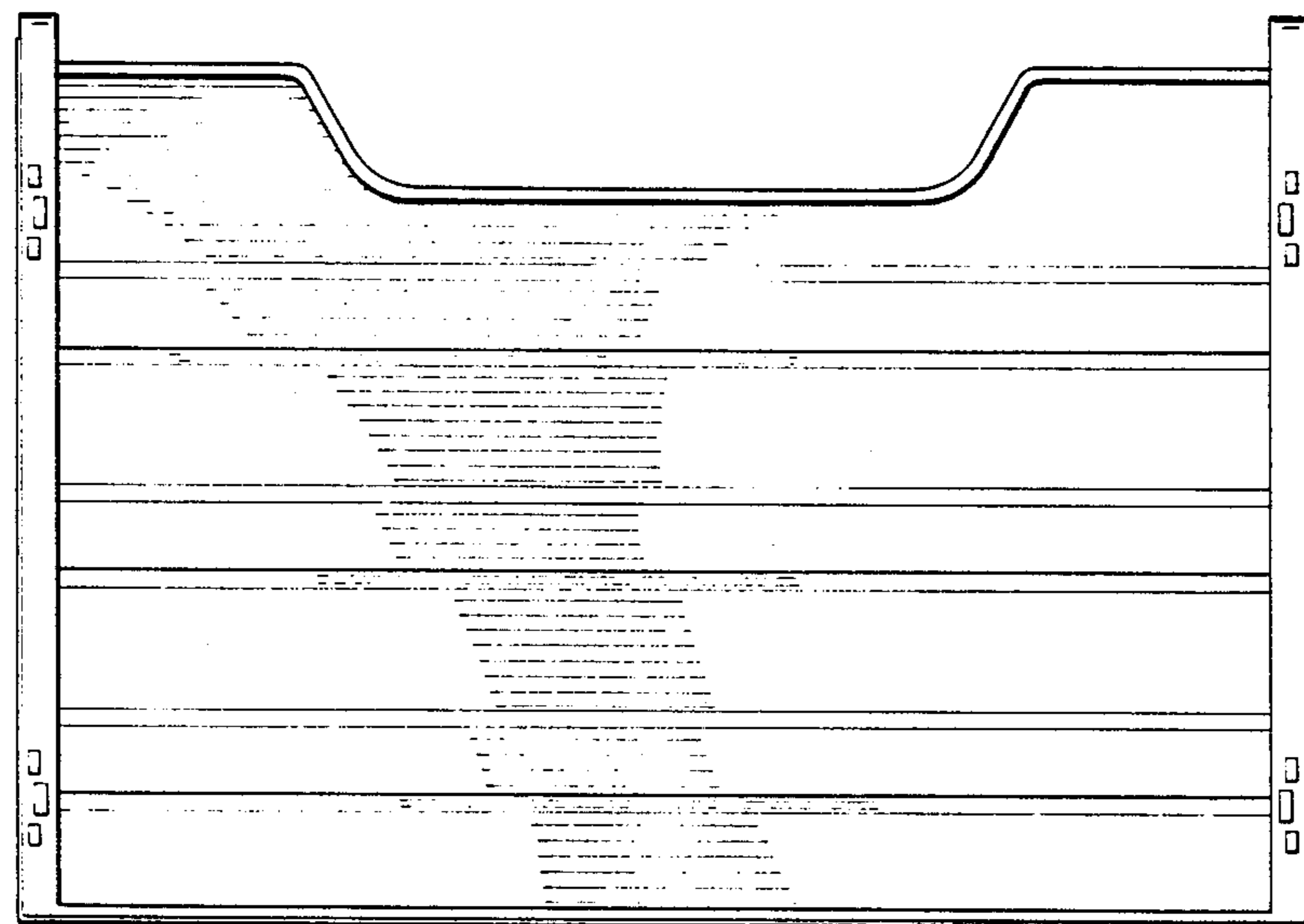


FIG. 6