

[54] PAPER FOLDING APPARATUS

[75] Inventor: Masami Ohmori, Hadano, Japan

[73] Assignee: Duplo Seizo Kabushiku Kaisha, Komae, Japan

[\*\*] Term: 14 Years

[21] Appl. No.: 817,007

[22] Filed: Jan. 8, 1986

[52] U.S. Cl. .... D18/22; D14/114

[58] Field of Search ..... D14/107, 111, 114; D18/13, 22, 23; D16/30-32; 400/689-694; 312/208; 493/410

[56] References Cited

U.S. PATENT DOCUMENTS

D. 287,371	12/1986	Bekooy .....	D18/22
4,540,395	9/1985	Bekooy .....	493/410
4,559,031	12/1985	Gysling et al. ....	493/410

OTHER PUBLICATIONS

IBM Technical Disclosure Bulletin, vol. 25, No. 7B, 12/1982, p. 3859-Acoustic Tractor.

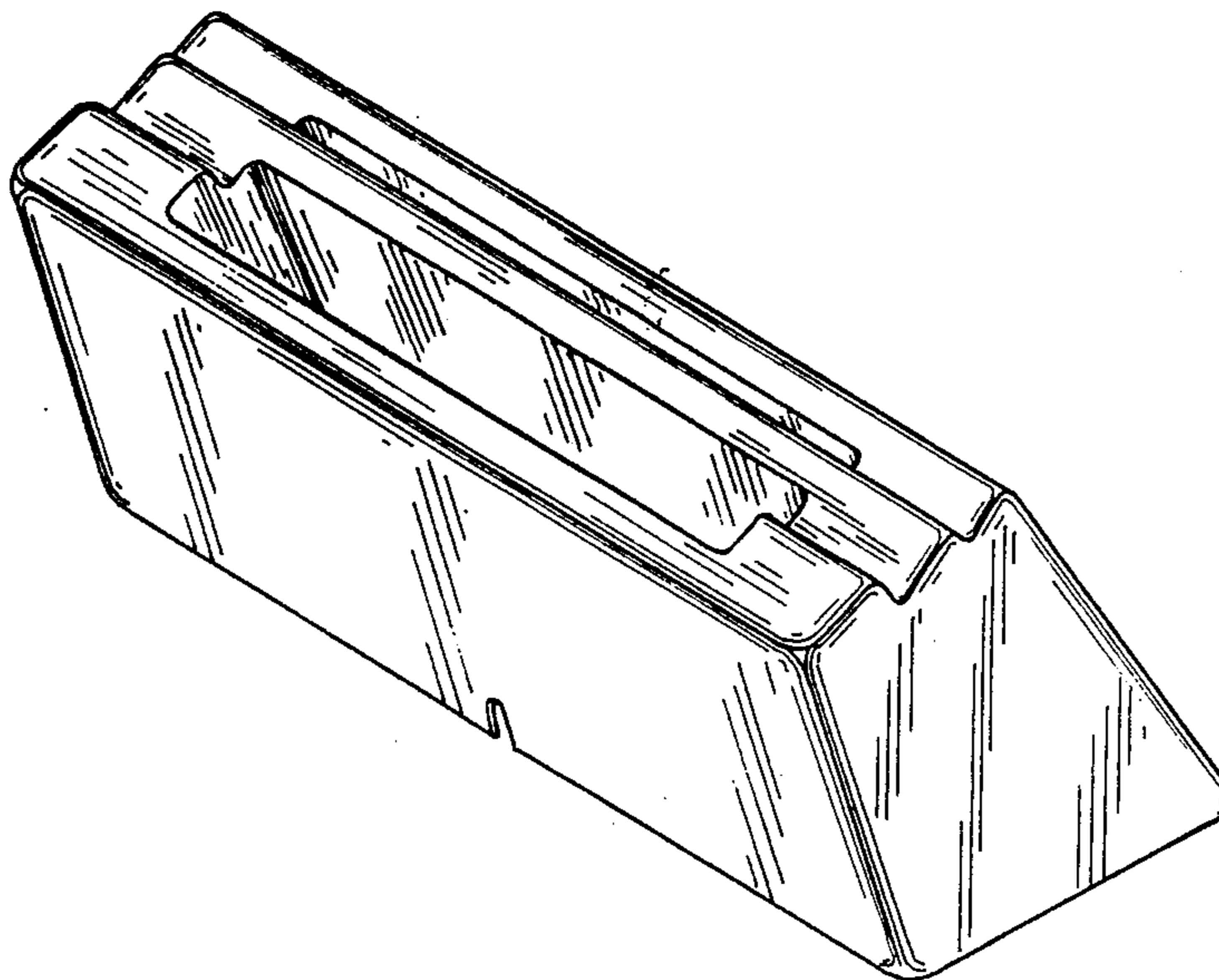
Primary Examiner—Louis S. Zarfes  
Attorney, Agent, or Firm—Pearne, Gordon, McCoy & Granger

[57] CLAIM

The ornamental design for a paper folding apparatus, as shown and described.

DESCRIPTION

FIG. 1 is a right front perspective view of a paper folding apparatus, showing my new design; FIG. 2 is a side elevational view thereof; FIG. 3 is a front elevational view thereof; FIG. 4 is a rear elevational view thereof; FIG. 5 is a top plan view thereof; and FIG. 6 is a bottom plan view thereof.



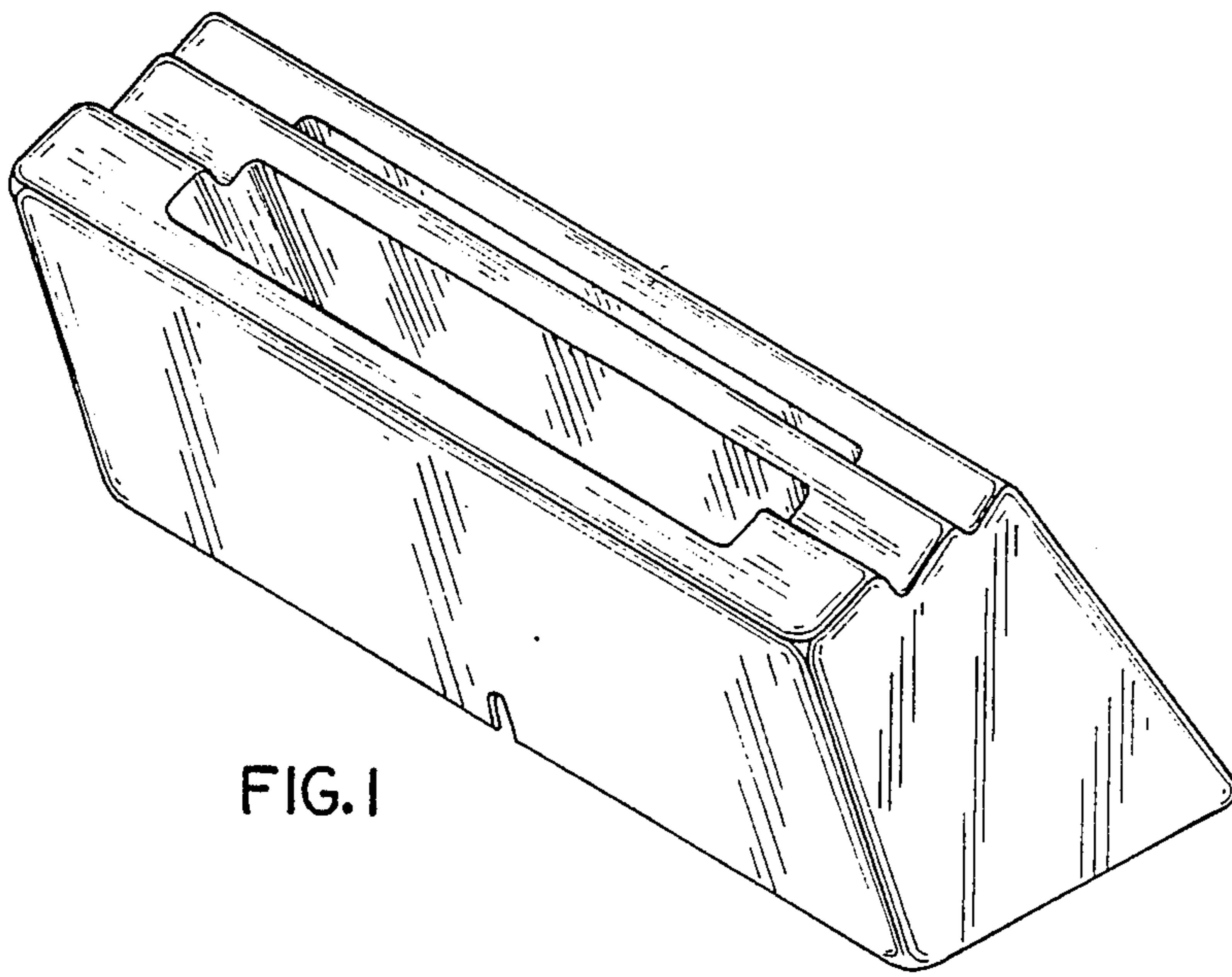


FIG. 1

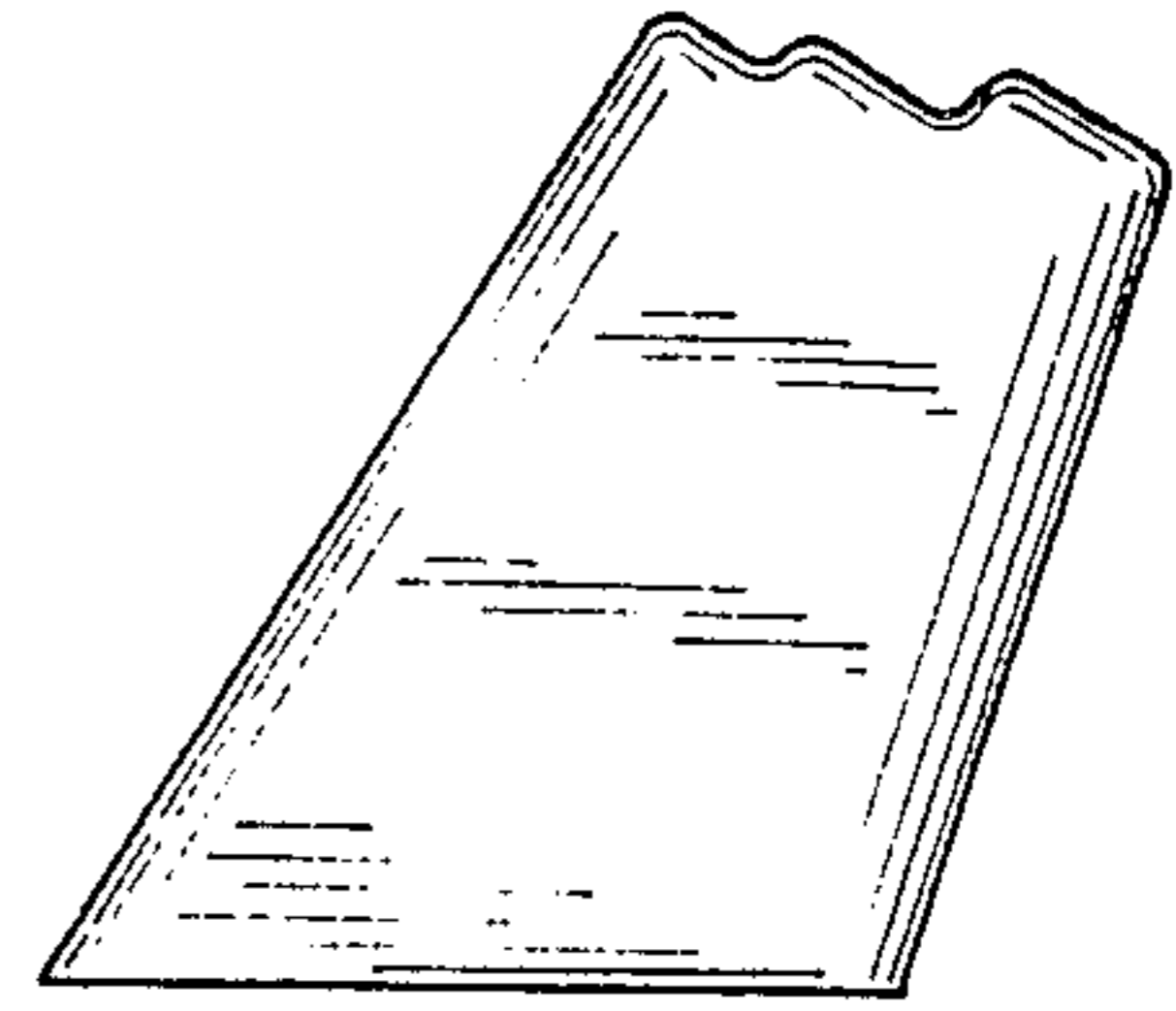


FIG. 2

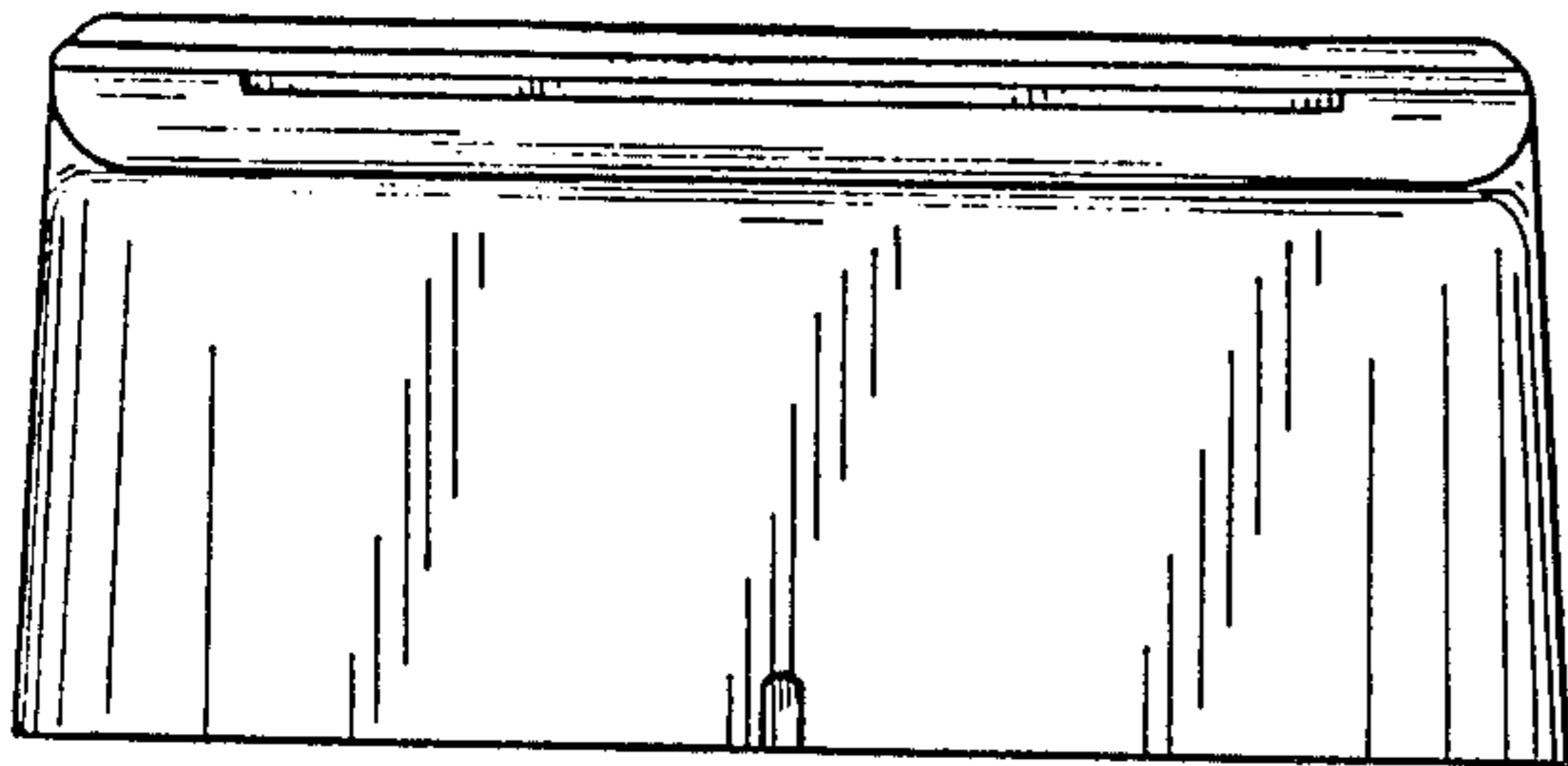


FIG. 3

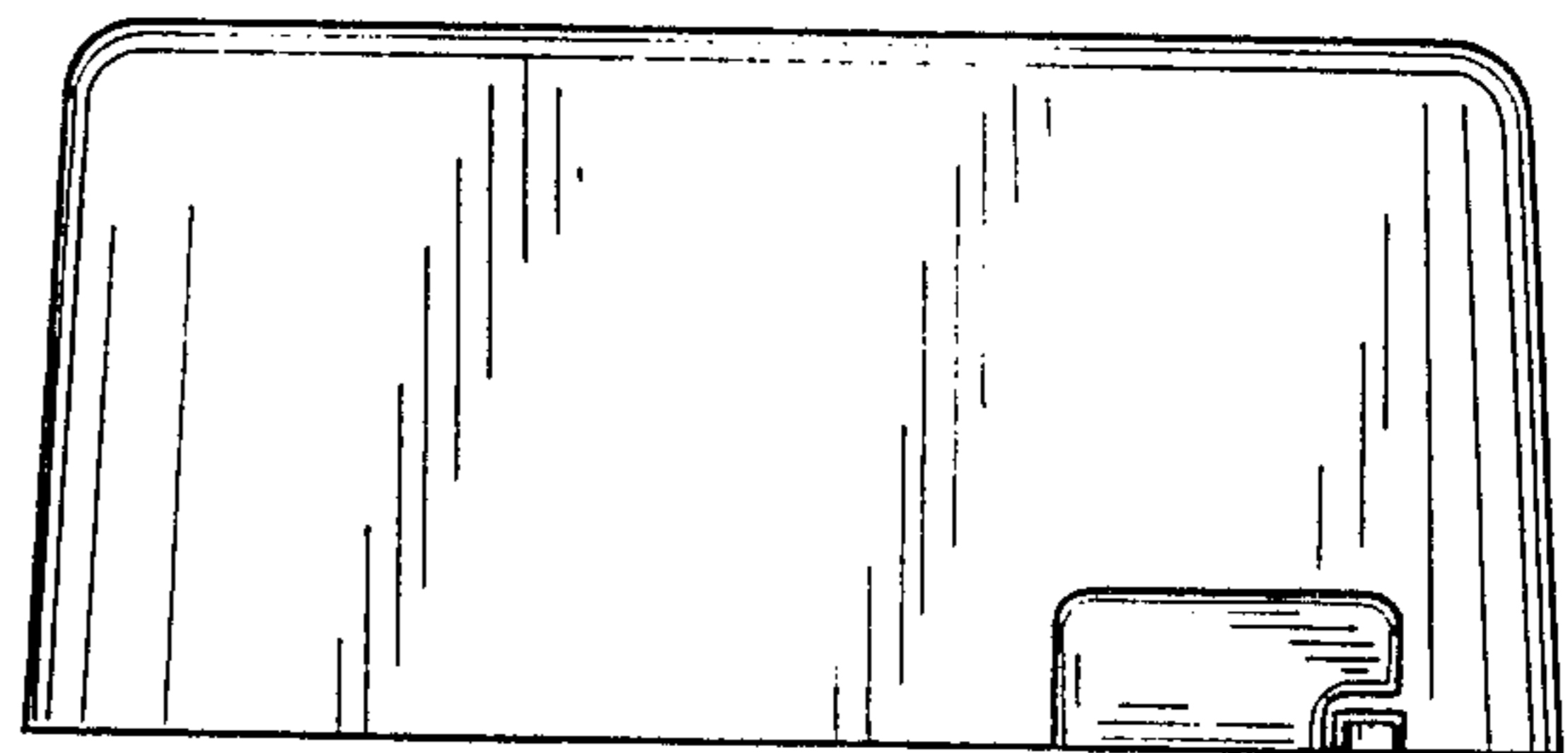


FIG. 4

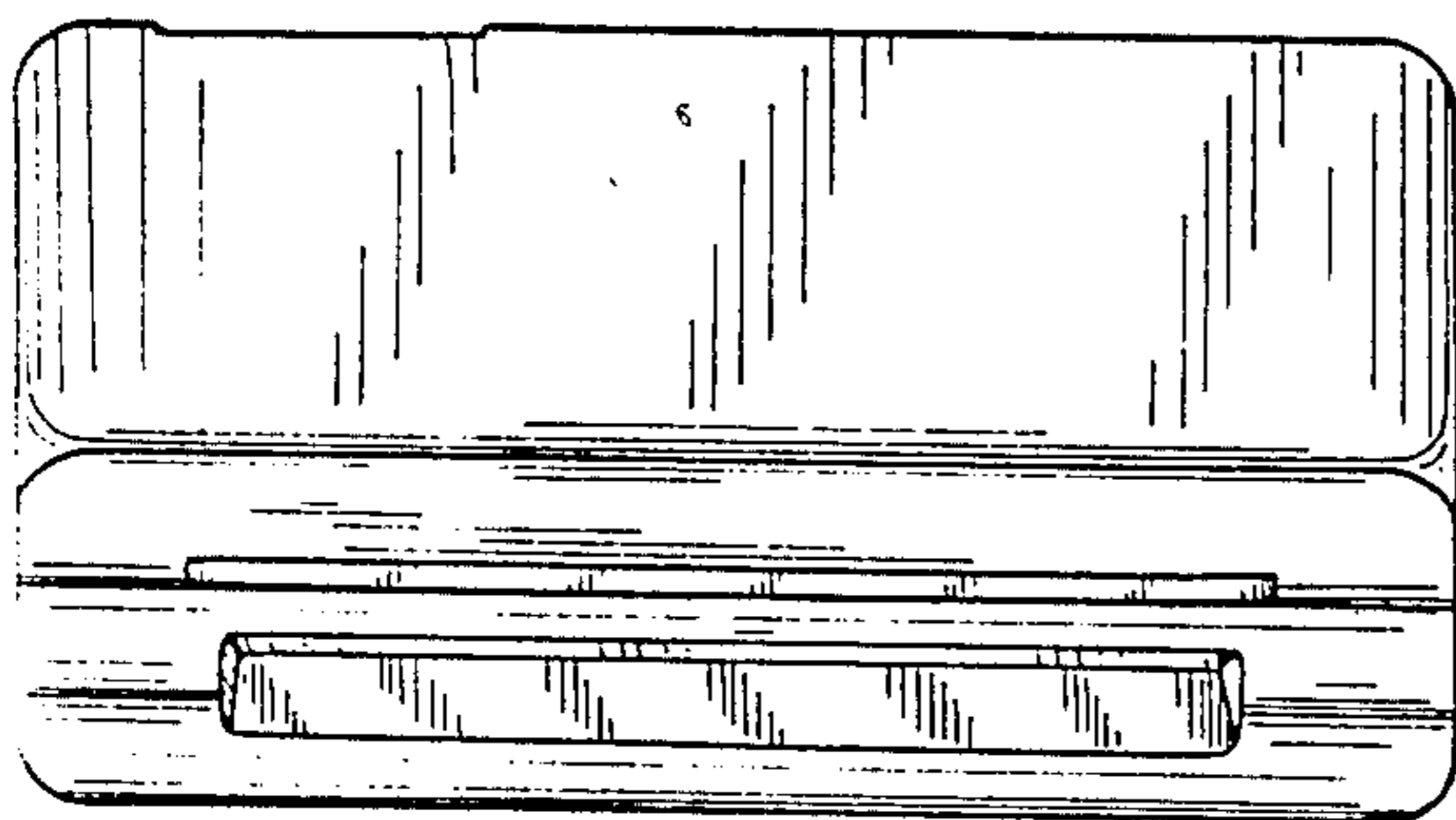


FIG. 5

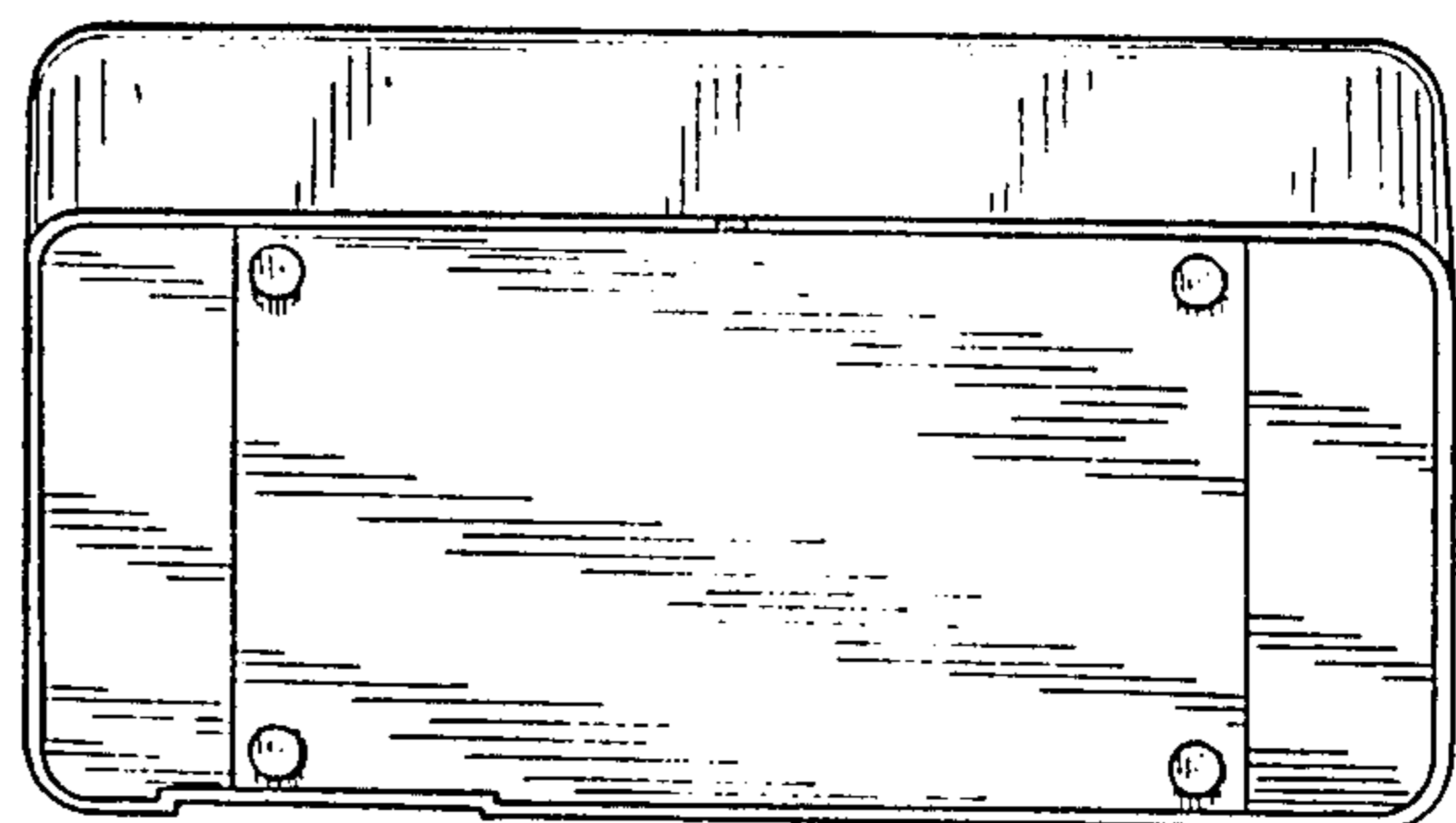


FIG. 6