

[54] COIN SORTING, COUNTING, WRAPPING AND BAGGING MACHINE

[76] Inventor: John B. Lanagan, 4501 63rd Cir. North, Pinellas Park, Fla. 34290

[\*\*] Term: 14 Years

[21] Appl. No.: 786,758

[22] Filed: Oct. 11, 1985

[52] U.S. Cl. .... D18/3

[58] Field of Search ..... D18/3; 453/31, 59; 53/254, 212

[56] References Cited

U.S. PATENT DOCUMENTS

D. 233,694	11/1974	Tamura et al. ....	D18/3
2,165,240	7/1939	Doney .....	453/31
3,373,542	3/1968	Ikeuchi .....	53/212 X
3,499,455	3/1970	Uchida et al. ....	453/31
3,757,805	9/1973	Puhahn et al. ....	D18/3 X

OTHER PUBLICATIONS

Vending Times, Nov. 1984, p. 17-Glory full page ad.

Primary Examiner—Bernard Ansher  
Assistant Examiner—Theodore M. Shooman  
Attorney, Agent, or Firm—Woodard, Emhardt, Naughton Moriarty & McNett

[57] CLAIM

The ornamental design for a coin sorting, counting, wrapping and bagging machine, as shown and described.

DESCRIPTION

FIG. 1 is a top plan view of a coin sorting, counting, wrapping and bagging machine showing my new design;

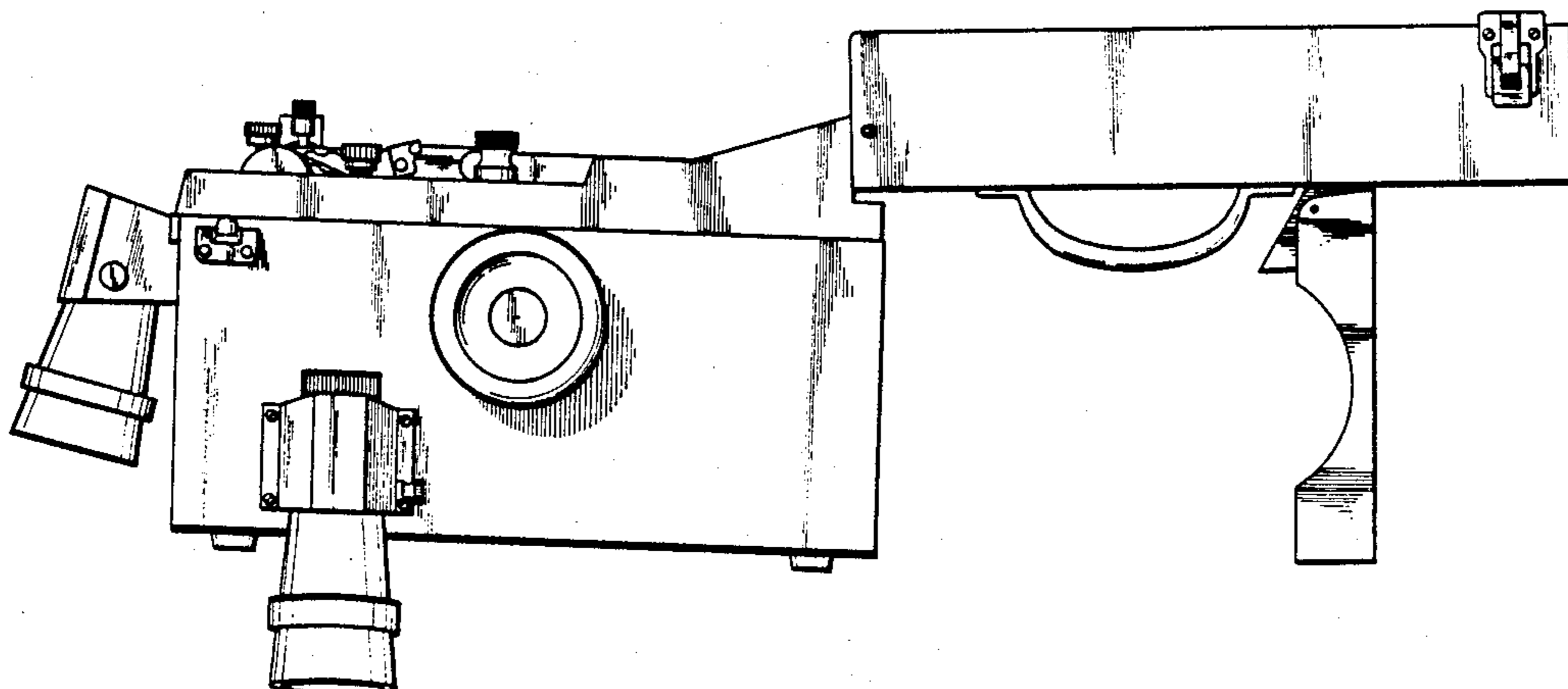
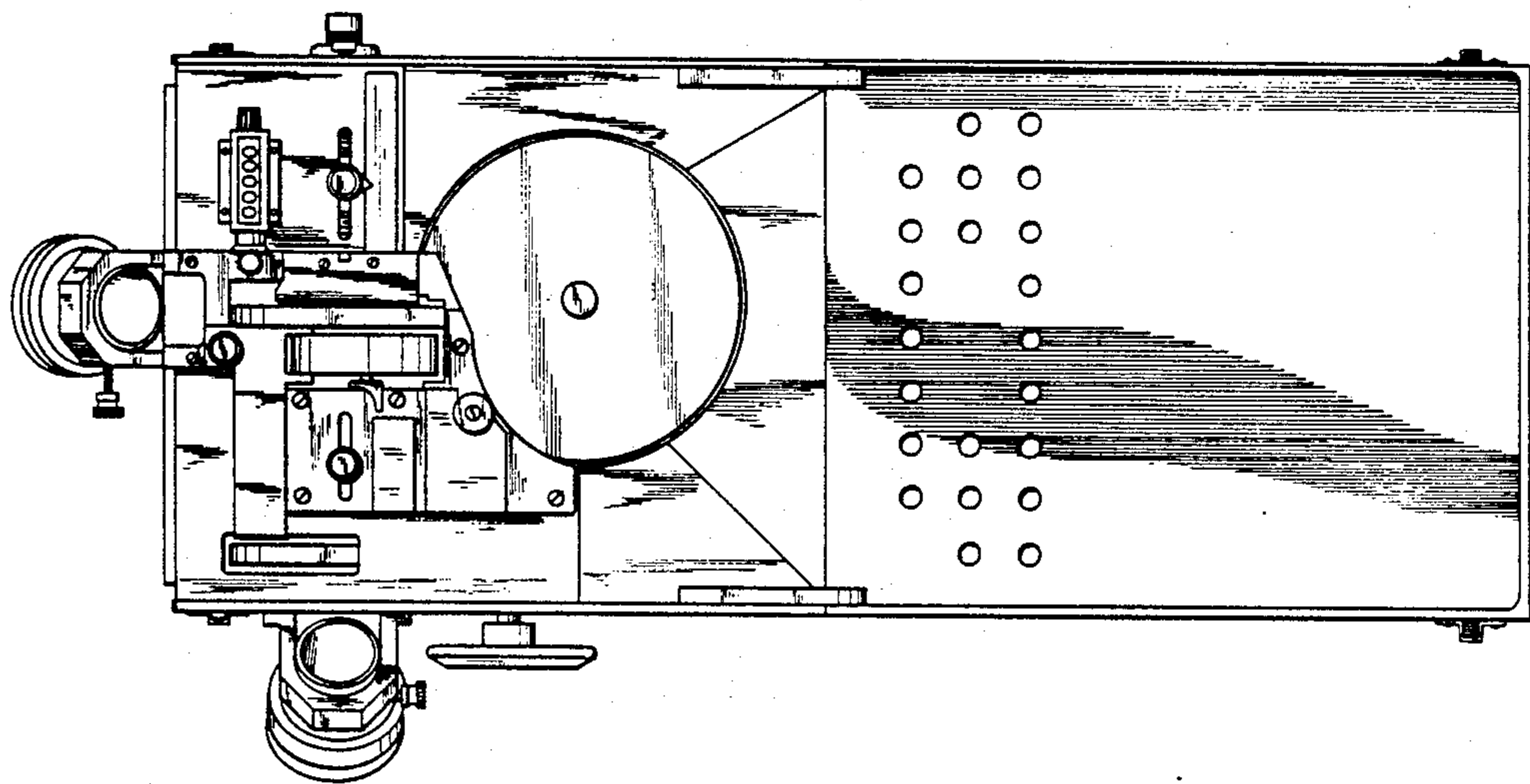
FIG. 2 is front elevational view thereof;

FIG. 3 is a right side elevational view thereof;

FIG. 4 is a left side elevational view thereof;

FIG. 5 is a rear elevational view thereof; and

FIG. 6 is a bottom plan view thereof.



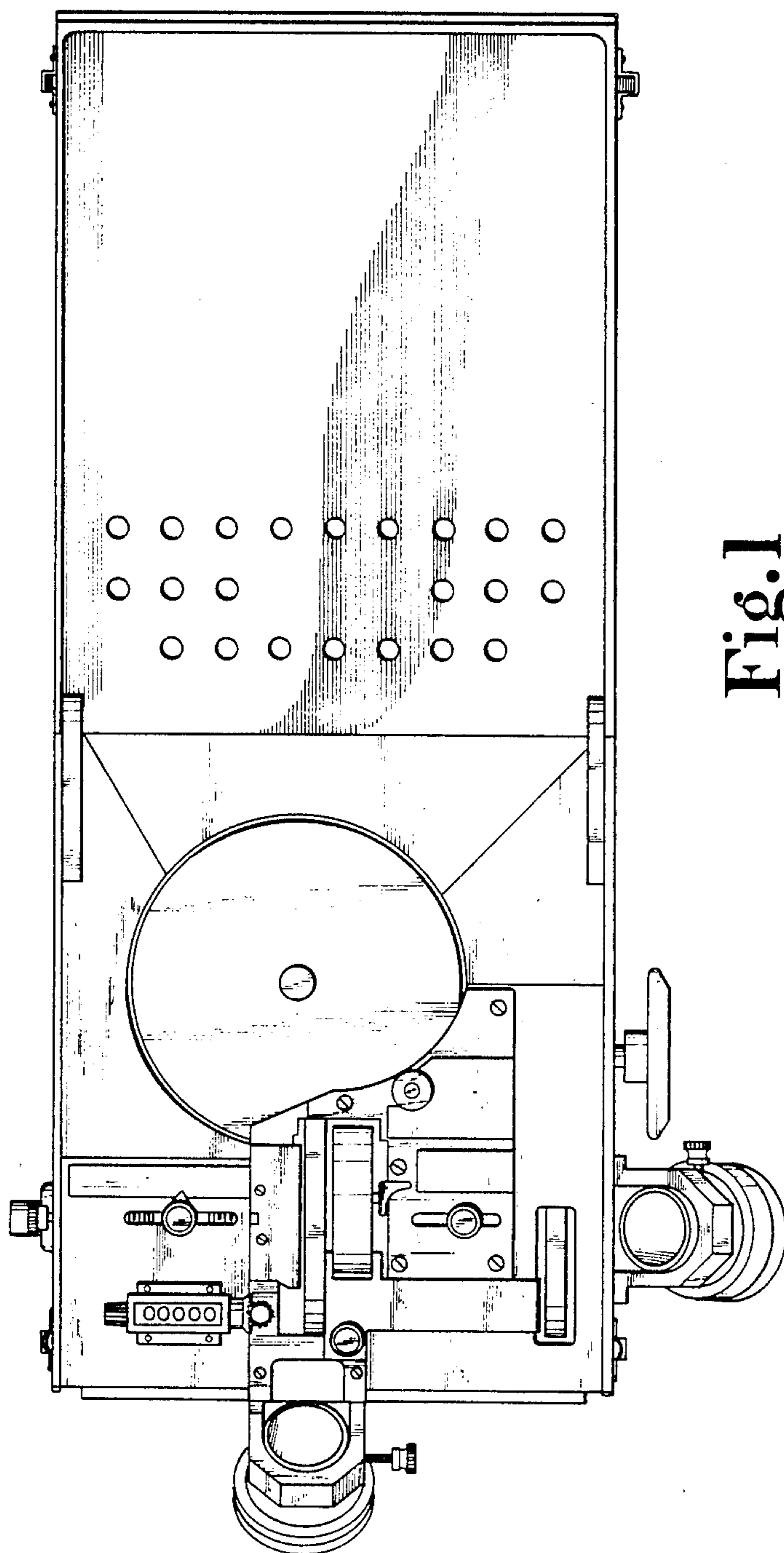


Fig. 1

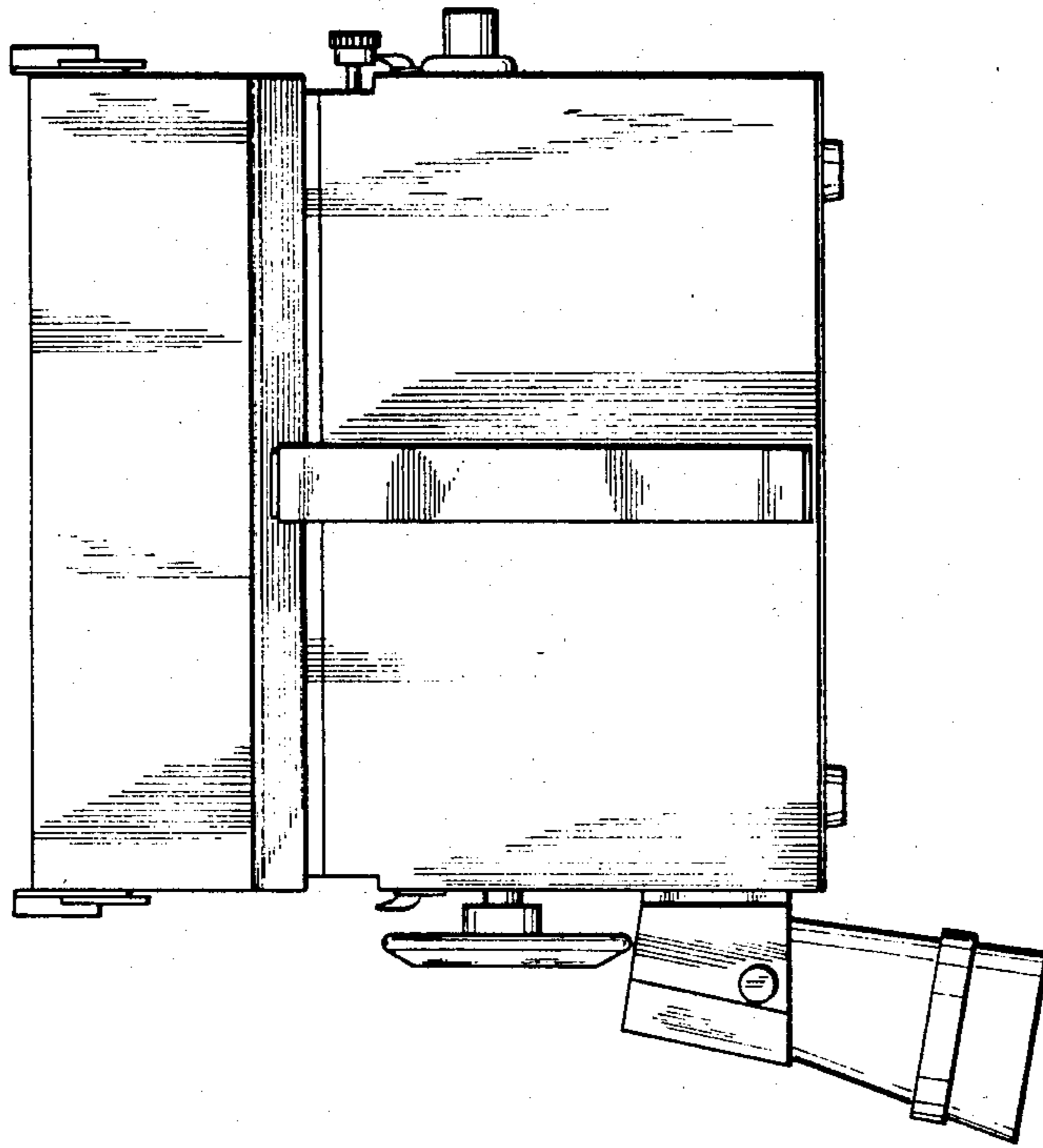


Fig. 5

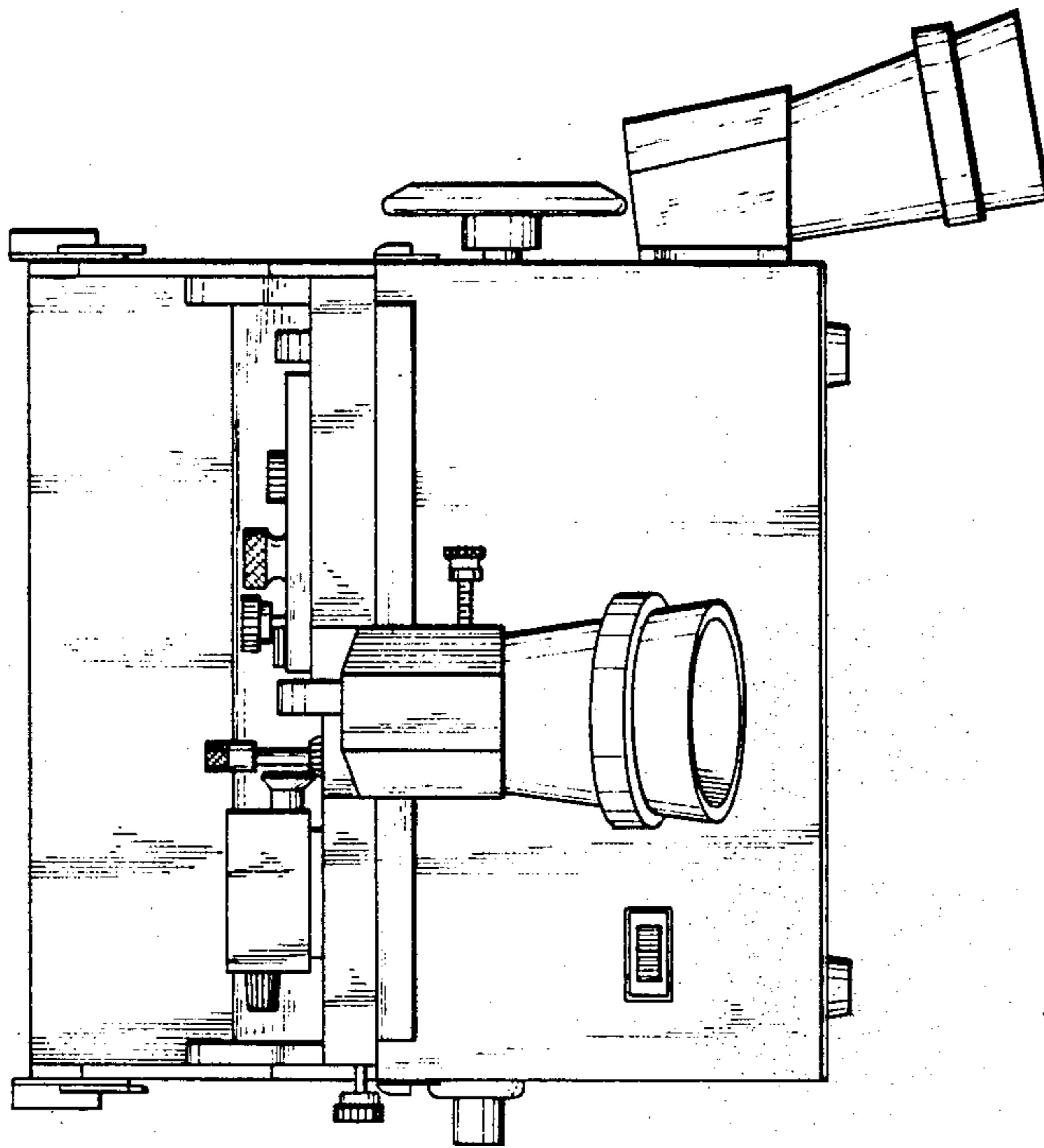


Fig. 2

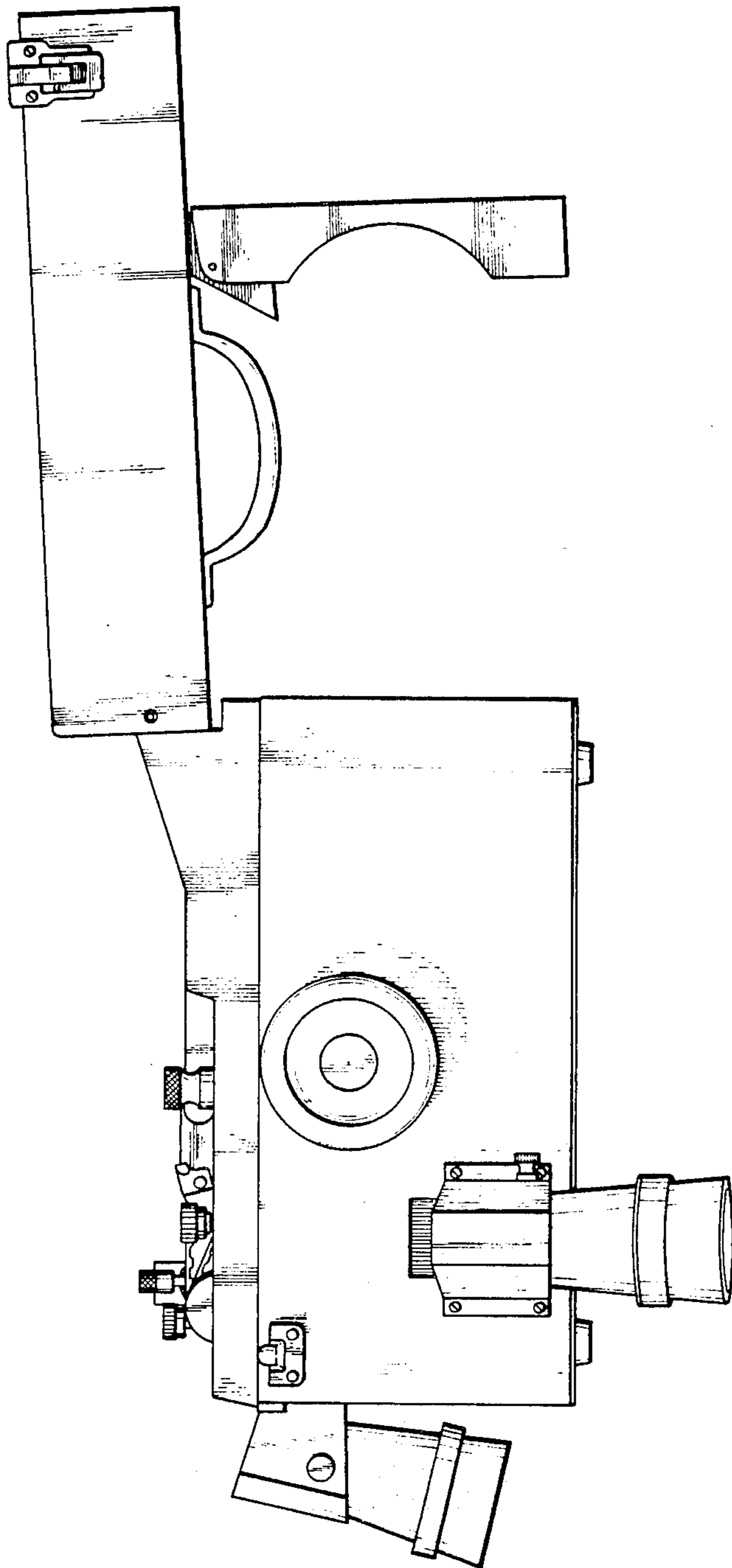


Fig. 3

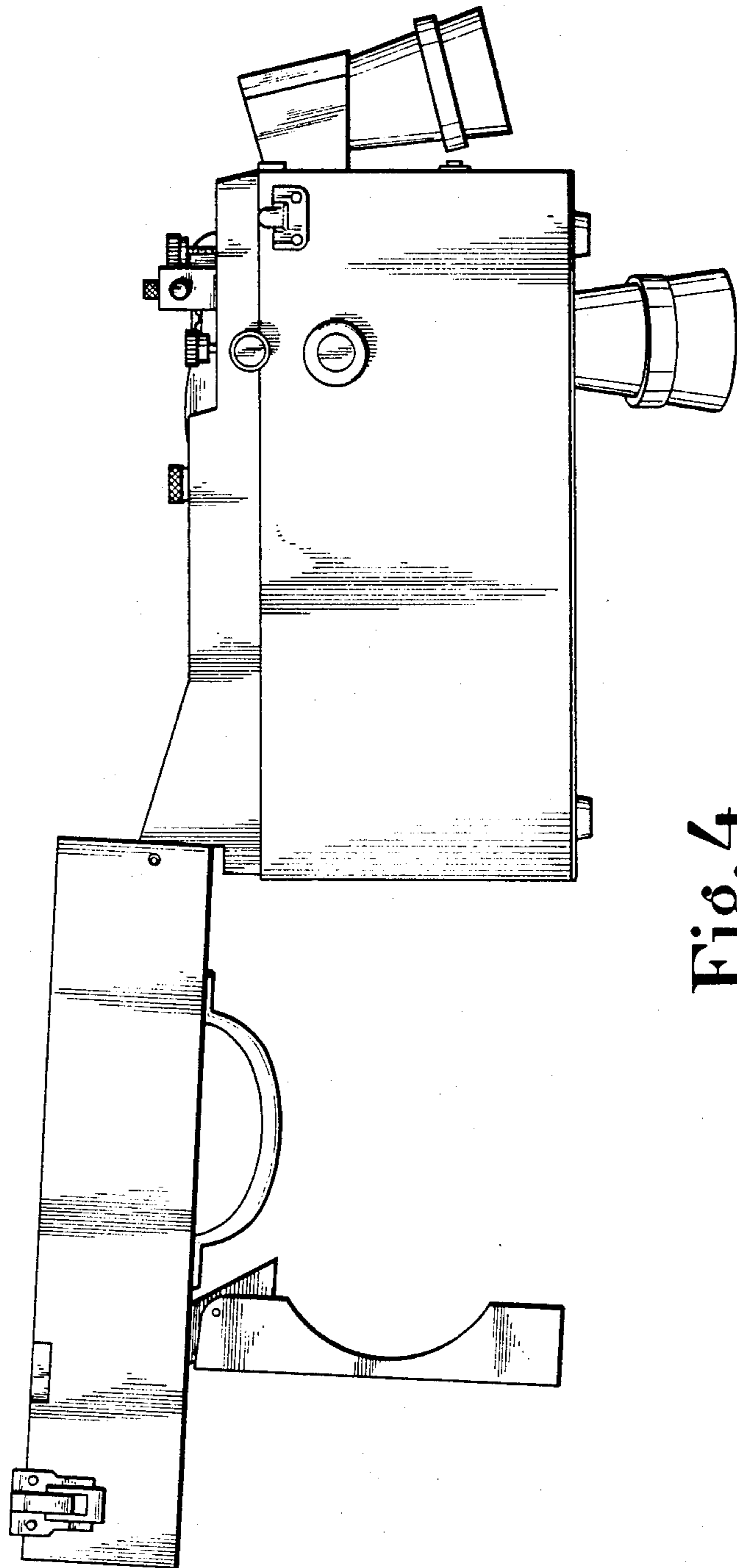


Fig. 4

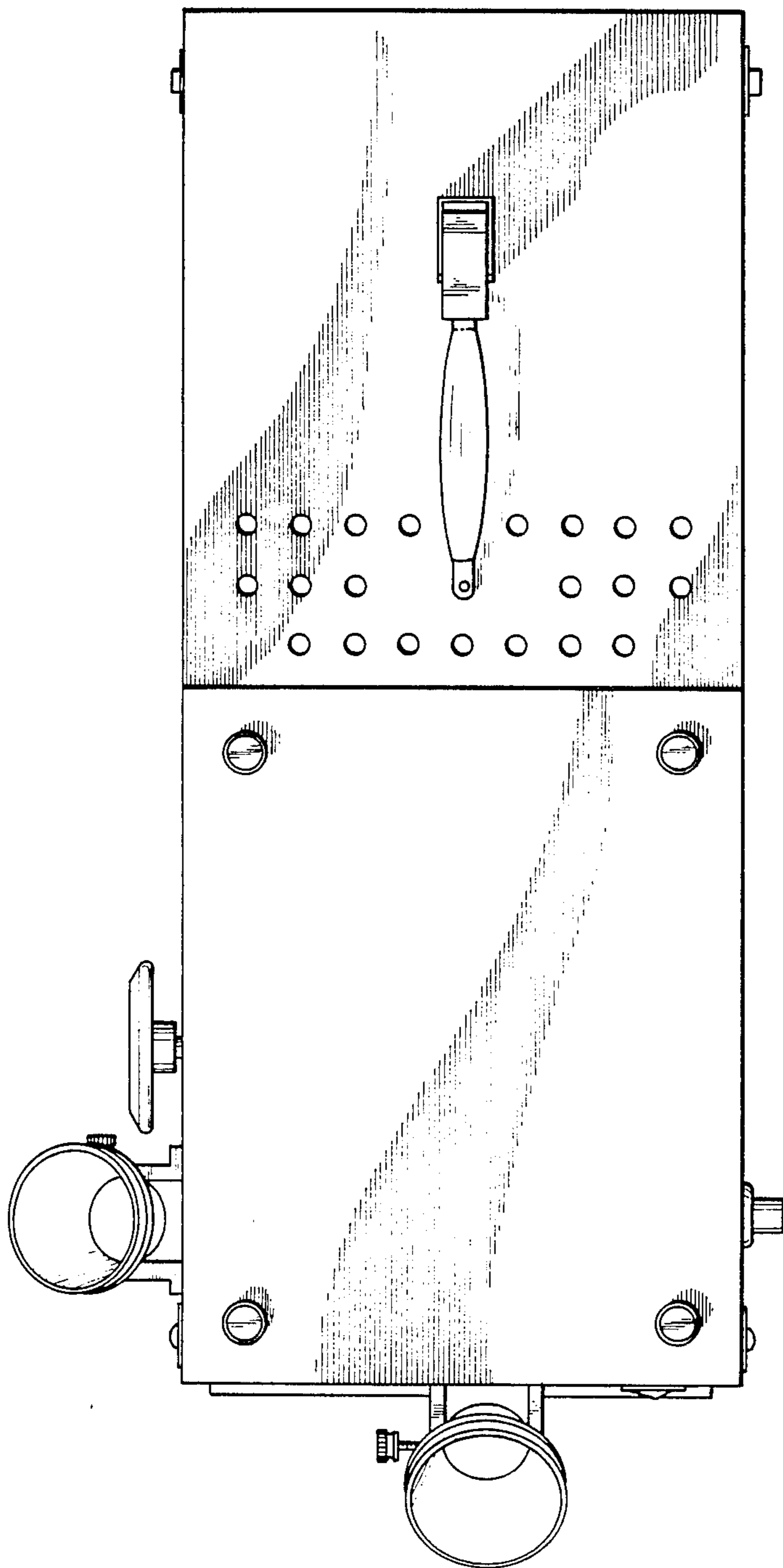


Fig. 6